



US00D878920S

(12) **United States Design Patent**
Batzel et al.

(10) **Patent No.:** **US D878,920 S**

(45) **Date of Patent:** **** Mar. 24, 2020**

(54) **SAFETY CONTAINER**

(71) Applicant: **RB INNOVATIONS, LLC**, Moscow, PA (US)

(72) Inventors: **Zachary (Rocky) Batzel**, Moscow, PA (US); **Daniel Jepson**, Cranesville, PA (US)

(73) Assignee: **RB Innovations, LLC**, Moscow, PA (US)

(**) Term: **15 Years**

(21) Appl. No.: **29/634,756**

(22) Filed: **Jan. 24, 2018**

(51) **LOC (12) Cl.** **09-01**

(52) **U.S. Cl.**
USPC **D9/522; D9/543**

(58) **Field of Classification Search**
USPC D9/516, 522, 543-546, 549, 550, 552, D9/575, 715, 719; D28/91.1; D3/202; D7/300, 598; D22/104, 108
CPC B65D 2501/0081; B65D 1/02; B65D 1/0223; B65D 1/40
See application file for complete search history.

(56) **References Cited**

U.S. PATENT DOCUMENTS

2,492,846	A	12/1949	Coyle et al.	
3,240,373	A	3/1966	Dulle	
D325,953	S *	5/1992	Vecchiarelli	D22/104
D349,938	S *	8/1994	Hogue	D22/104
D351,448	S *	10/1994	Fisher	42/71.02
D382,458	S *	8/1997	Hogue	D8/70
D393,194	S *	4/1998	Hogue	D8/303
D414,425	S *	9/1999	Crawford	D9/543
D443,518	S *	6/2001	Goettner	D9/530
D524,658	S *	7/2006	Varlet	D9/544

D531,905	S *	11/2006	Day	D9/522
D546,192	S *	7/2007	Faillant Dumas	D9/571
D553,503	S *	10/2007	Toh	D9/529
7,275,653	B2	10/2007	Tedford, Jr.	
D574,348	S *	8/2008	Mun	D14/138 AB
D575,163	S *	8/2008	Venturini Fendi	D9/544
7,594,588	B2	9/2009	Auer	
D605,951	S *	12/2009	Ikeda	D9/544
D644,291	S *	8/2011	Faifer	D22/108
D685,269	S *	7/2013	Macias Mejia	D9/449
D685,270	S *	7/2013	Macias Mejia	D9/449

(Continued)

Primary Examiner — Shannon W Morgan

Assistant Examiner — Keith Frank

(74) *Attorney, Agent, or Firm* — Olson & Cepuritis, Ltd.; Robert J. Ross

(57) **CLAIM**

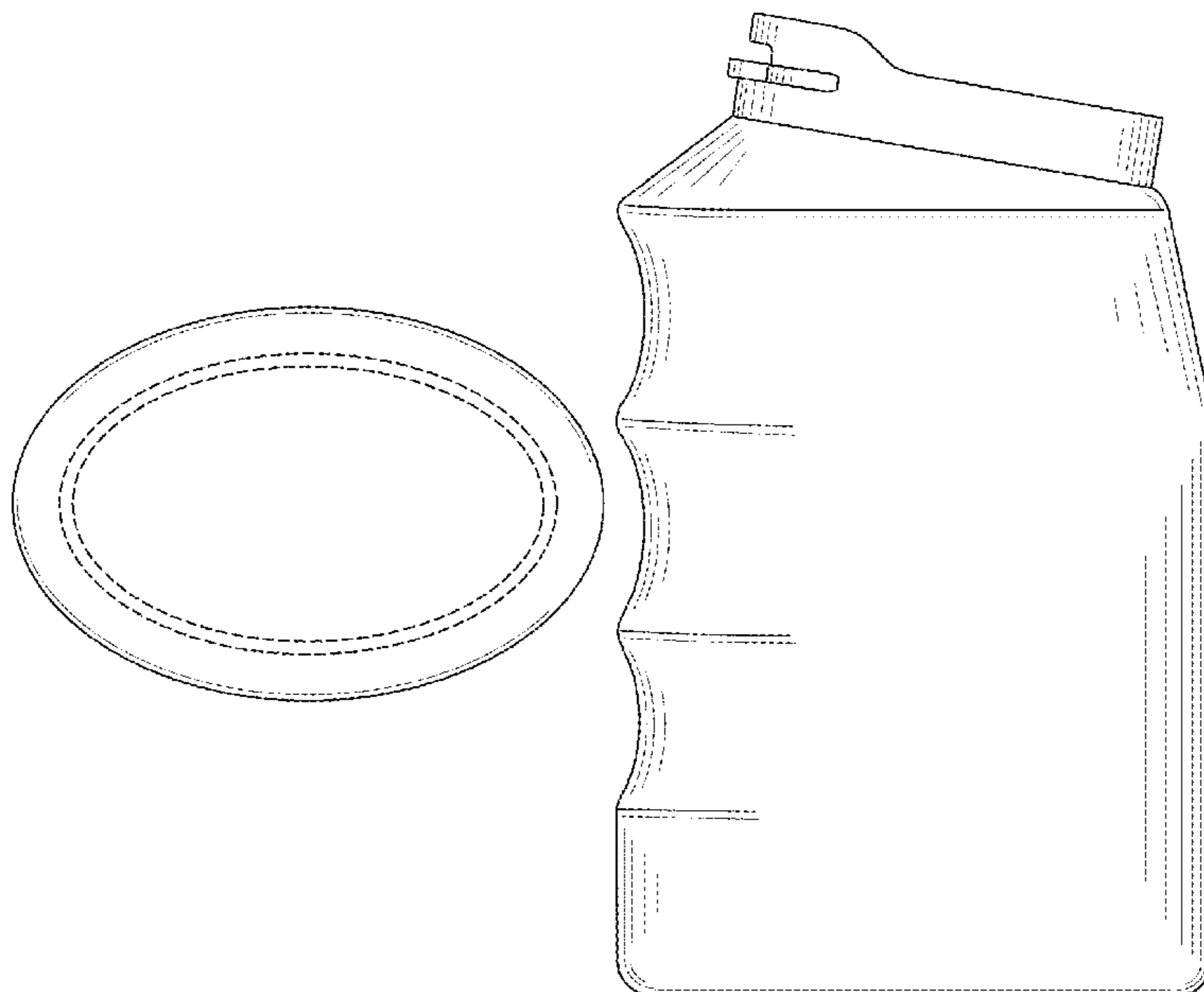
The ornamental design for a safety container, as shown and described.

DESCRIPTION

FIG. 1 is a top perspective view of our new design showing a safety container;
FIG. 2 is a top plan view of the safety container of FIG. 1;
FIG. 3 is a bottom plan view of the safety container of FIG. 1;
FIG. 4 is a front end view of the safety container of FIG. 1;
FIG. 5 is a rear end view of the safety container of FIG. 1;
FIG. 6 is a side plan view of the safety container of FIG. 1;
FIG. 7 is a side plan view of the safety container of FIG. 1, the opposite side of that shown in FIG. 6; and,
FIG. 8 is a bottom perspective view of the safety container of FIG. 1.

The broken lines in the drawings showing the safety container illustrate the portions of the safety container that form no part of the claimed design.

1 Claim, 6 Drawing Sheets



(56)

References Cited

U.S. PATENT DOCUMENTS

D685,271	S	*	7/2013	Macias Mejia	D9/542
D688,951	S	*	9/2013	Macias Mejia	D9/542
D699,586	S	*	2/2014	Schlogel	D9/682
D740,668	S	*	10/2015	de Vries	D9/526
D740,669	S	*	10/2015	de Vries	D9/526
D740,671	S	*	10/2015	de Vries	D9/526
9,365,333	B2		6/2016	Batzel et al.	
D770,900	S	*	11/2016	Hendricks	D9/516
9,919,837	B2		3/2018	Batzel	
D828,171	S	*	9/2018	Bos	D9/529
D830,835	S	*	10/2018	Keller	D9/529
D837,056	S	*	1/2019	Stone	D9/529

* cited by examiner

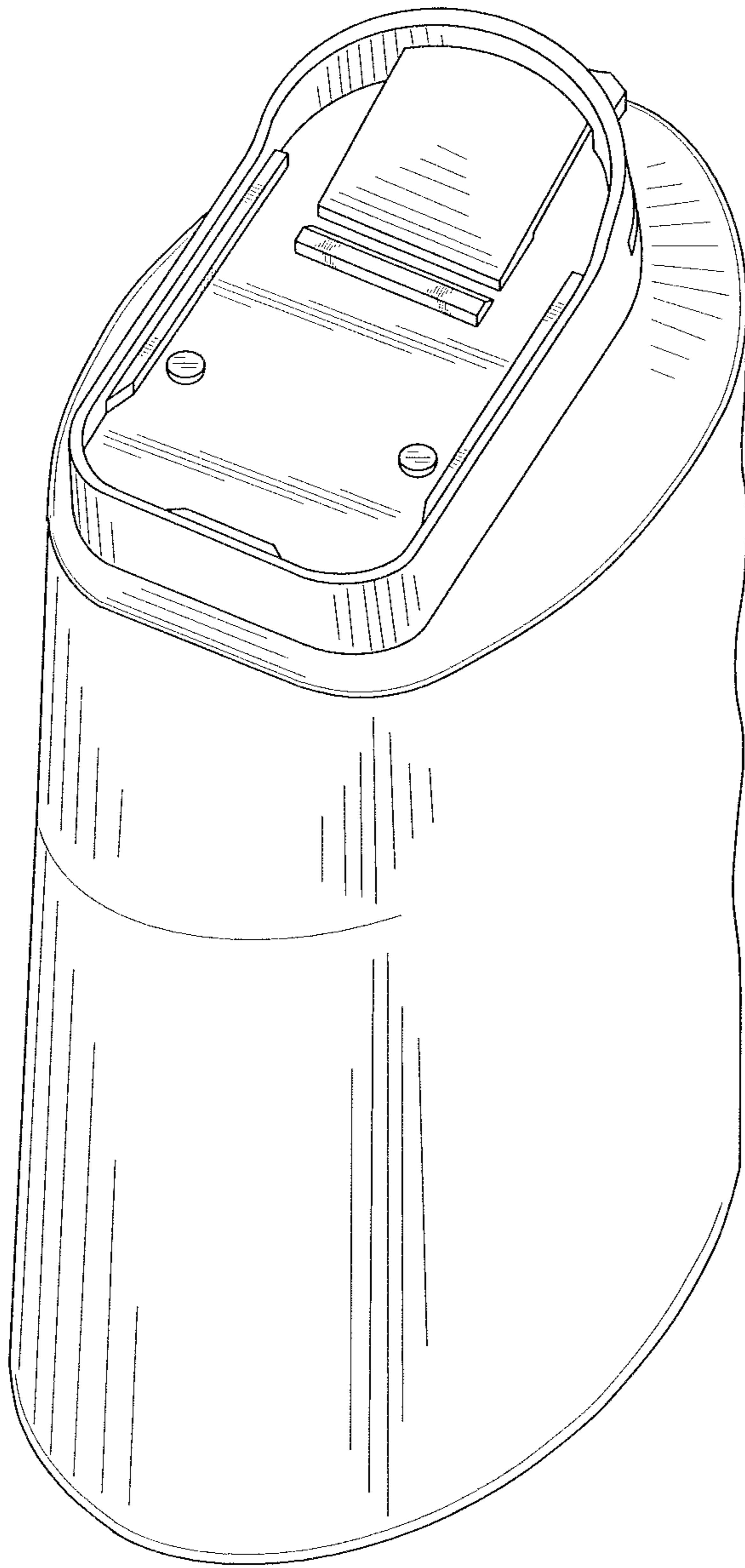


FIG. 1

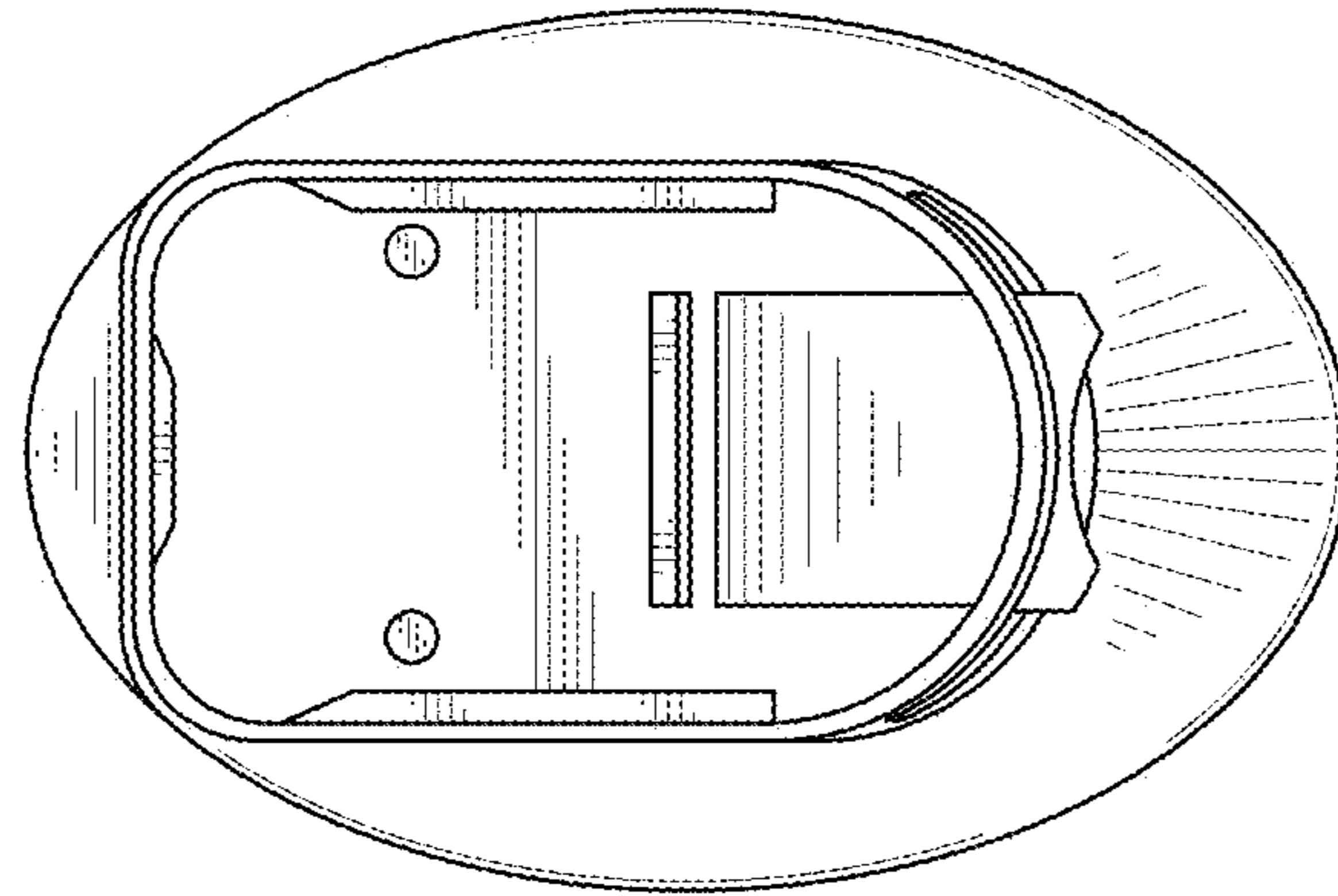


FIG. 2

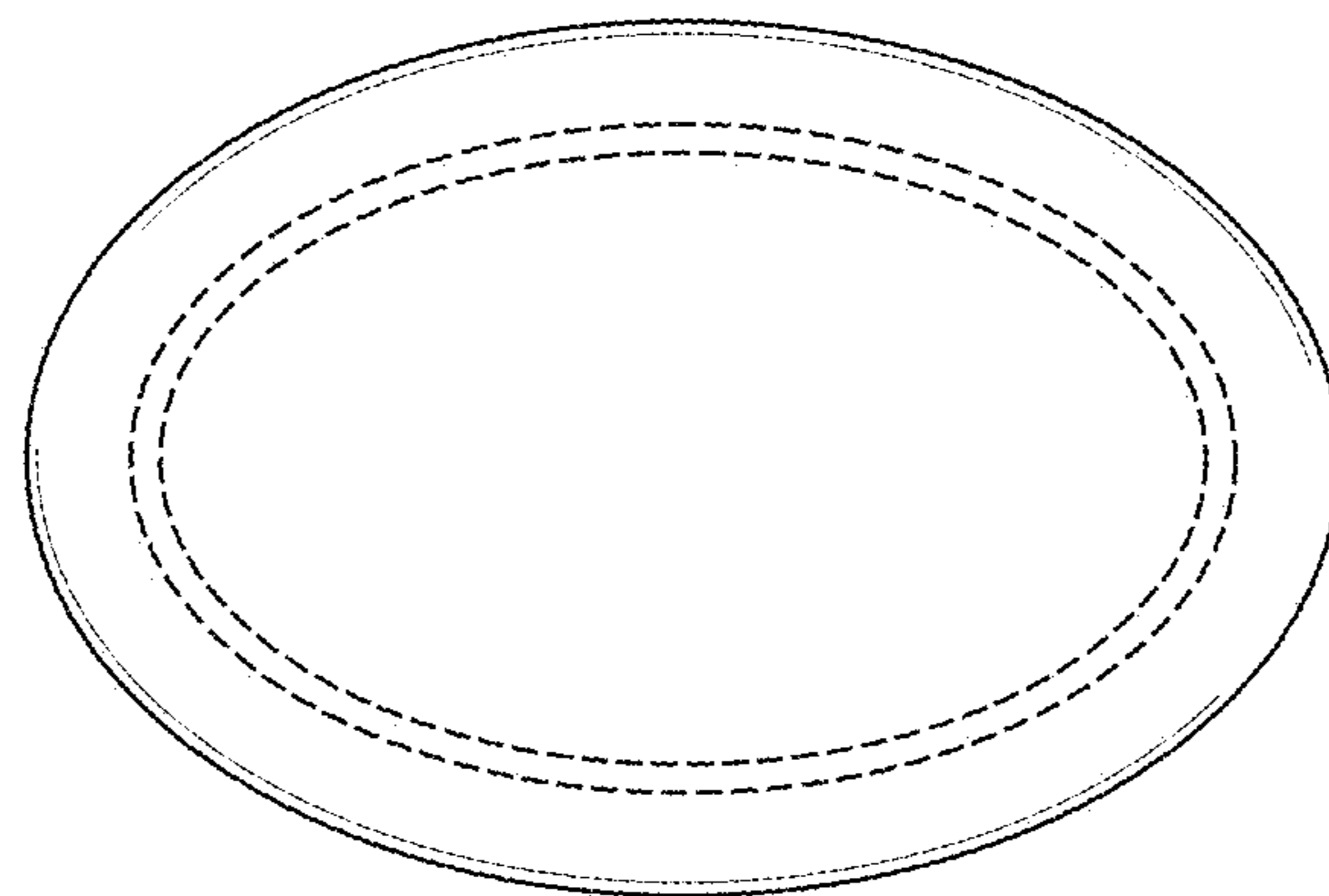


FIG. 3

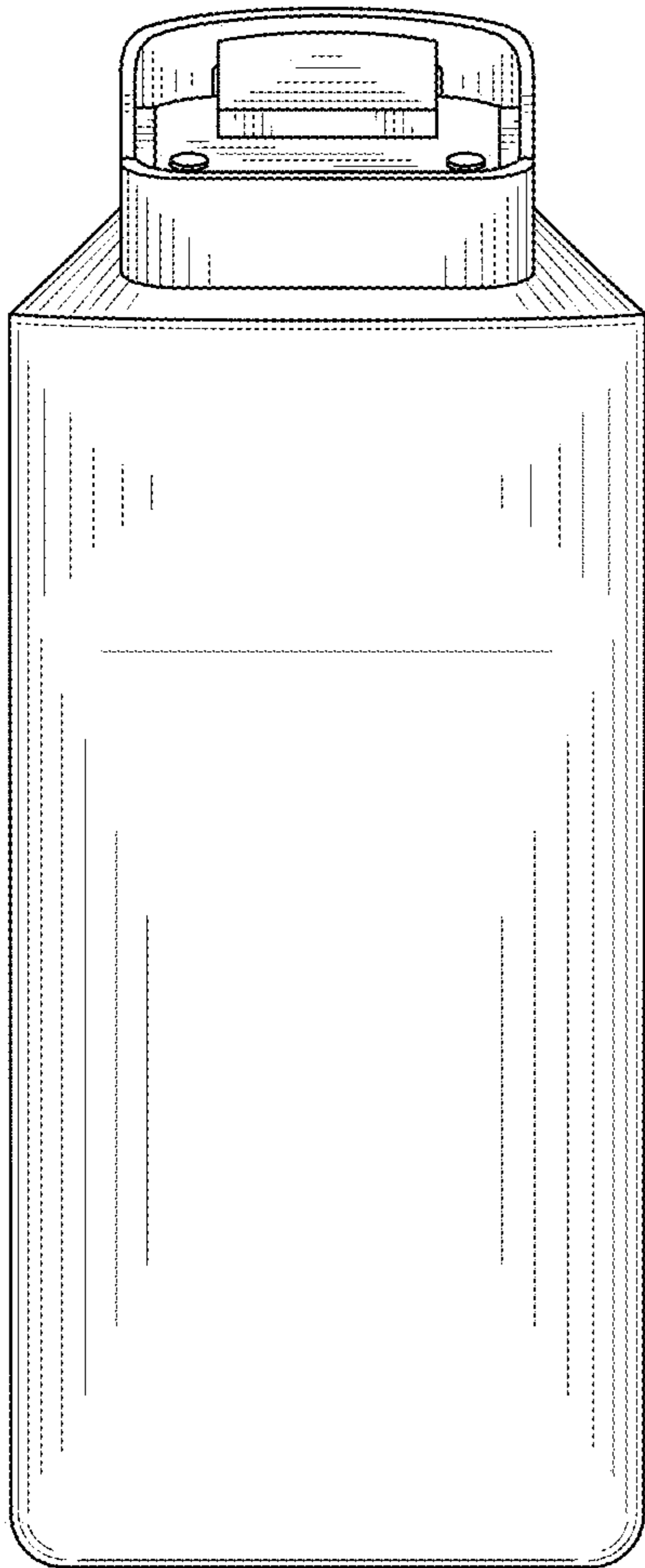


FIG. 4

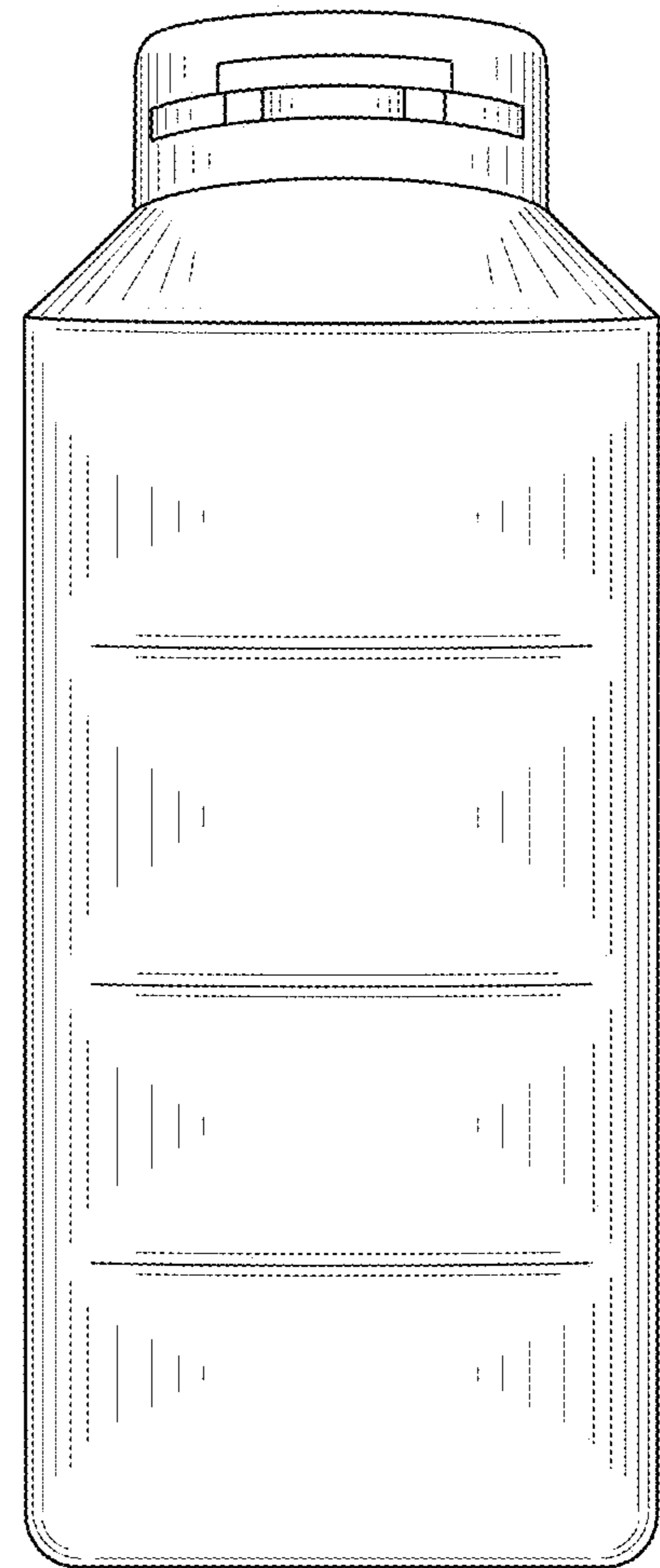


FIG. 5

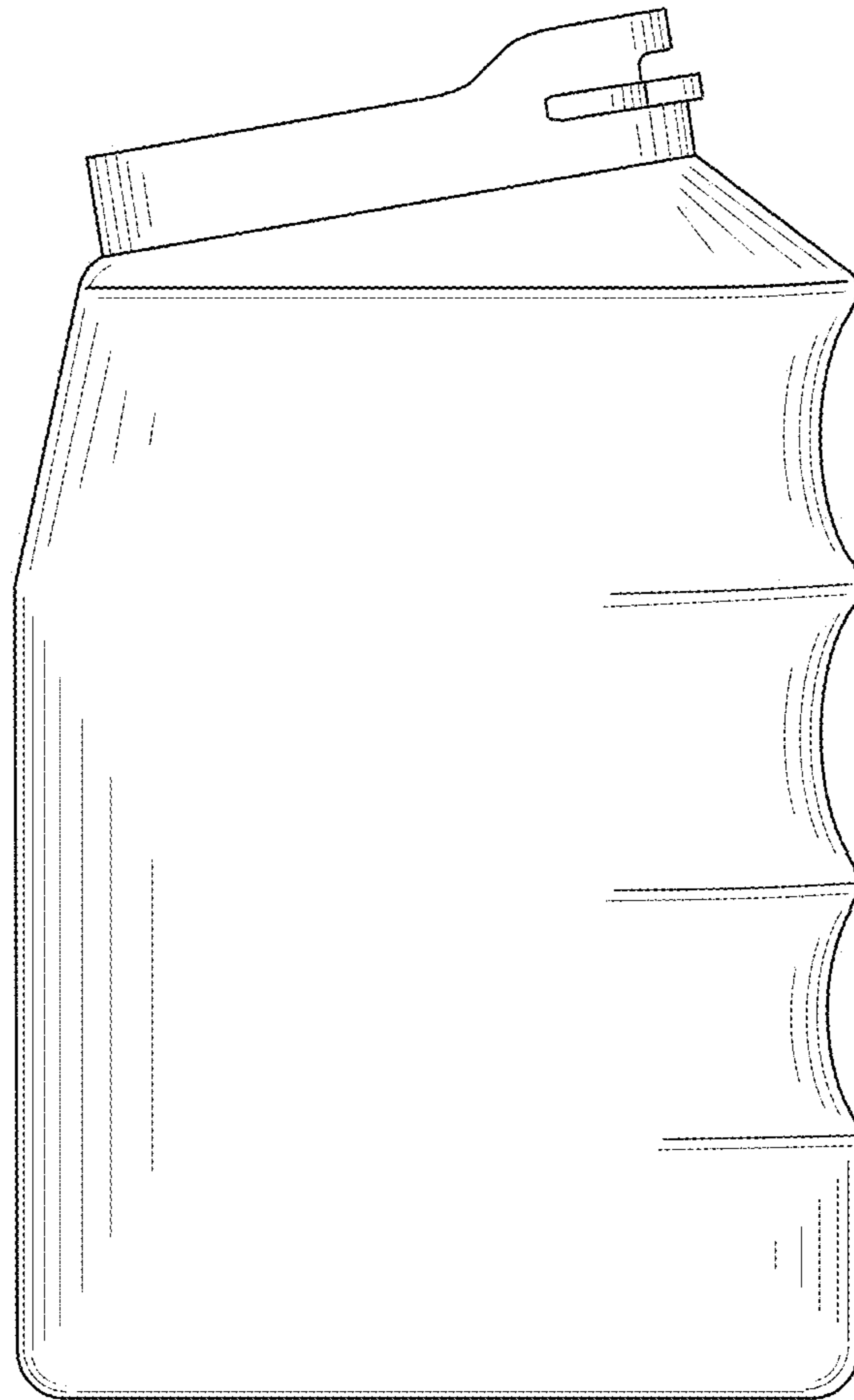


FIG. 6

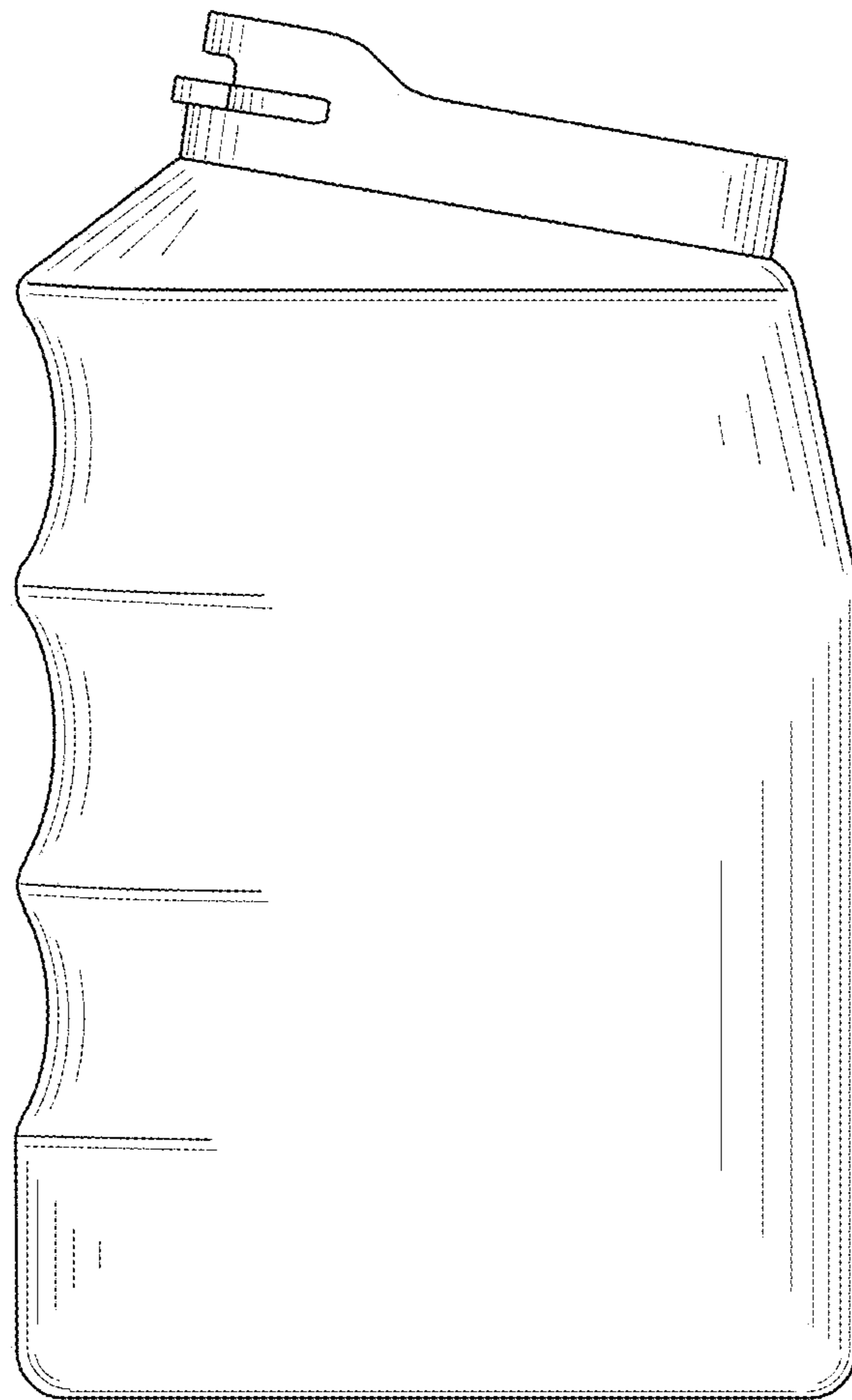


FIG. 7

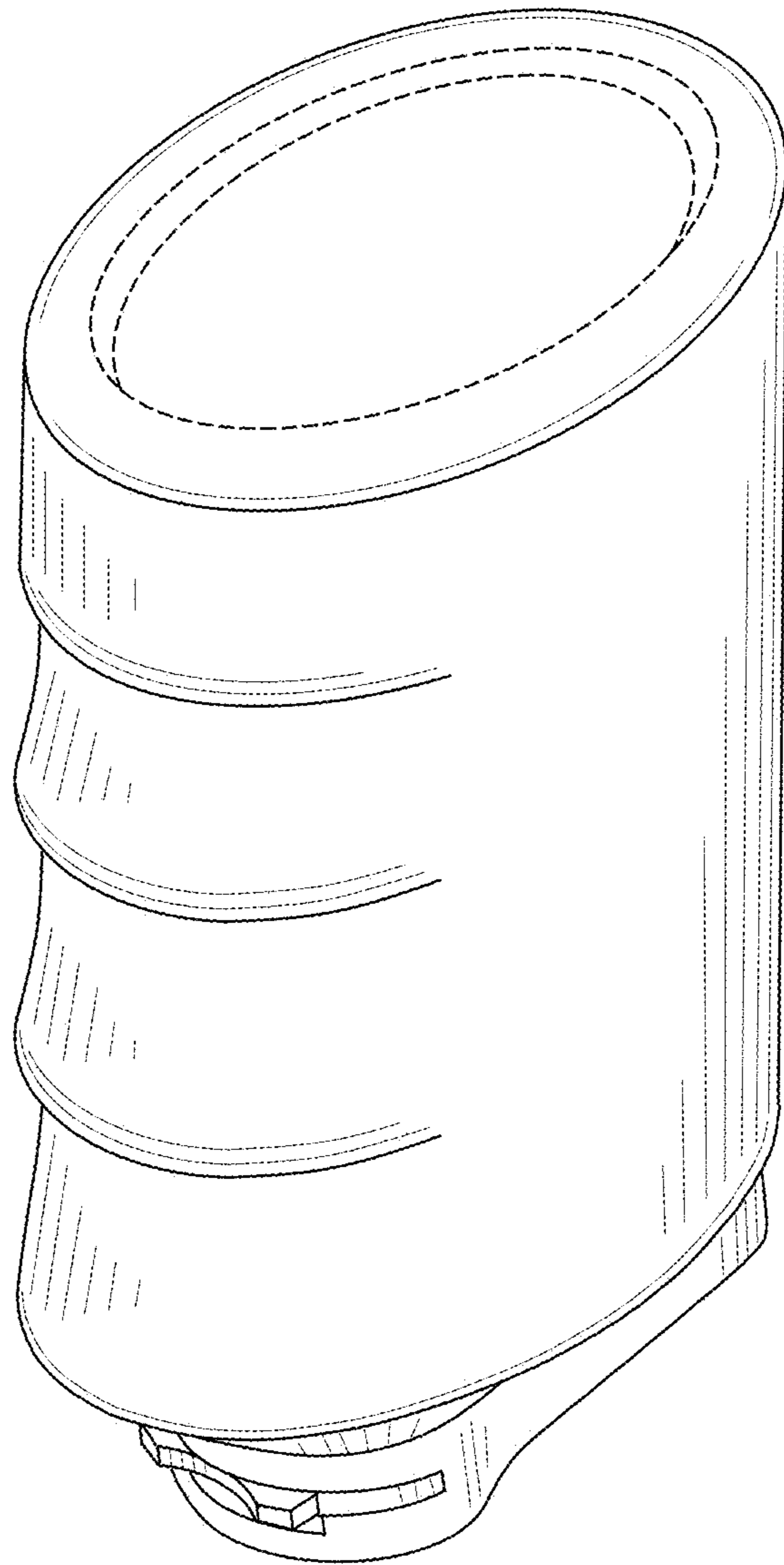


FIG. 8