



US00D878916S

(12) **United States Design Patent** (10) **Patent No.:** **US D878,916 S**
Riedel et al. (45) **Date of Patent:** **** Mar. 24, 2020**

(54) **CONTAINER CAP**

(71) Applicant: **TARGET BRANDS, INC.**,
Minneapolis, MN (US)

(72) Inventors: **Richard P. Riedel**, Blaine, MN (US);
Timothy Martell, Minneapolis, MN
(US); **Michael M. Habig**, Cincinnati,
OH (US); **Ryan P. McCoy**, Falcon
Heights, MN (US); **Terrence J.**
Hornsby, Jr., Minneapolis, MN (US)

(73) Assignee: **TARGET BRANDS, INC.**,
Minneapolis, MN (US)

(**) Term: **15 Years**

(21) Appl. No.: **29/663,861**

(22) Filed: **Sep. 19, 2018**

D398,241 S 9/1998 Krebs
D484,797 S 1/2004 Kipperman et al.
D497,103 S * 10/2004 Malloy D3/203.2
D520,877 S 5/2006 Toth et al.
D521,380 S 5/2006 Jackson et al.
D523,344 S 6/2006 Toth et al.
D529,387 S 10/2006 Toth et al.
D537,724 S 3/2007 Toth et al.
D541,163 S 4/2007 Altonen et al.
D551,970 S 10/2007 Didier
D562,151 S 2/2008 Larocca et al.
D563,228 S 3/2008 Nottingham et al.
D563,795 S 3/2008 Puigbo
D568,739 S 5/2008 Darr
D577,292 S 9/2008 Moretti
D577,600 S 9/2008 Kim et al.
D585,754 S 2/2009 McGregor et al.
D598,296 S 8/2009 Diaz
D617,043 S 6/2010 Patel et al.
D621,224 S 8/2010 Chen
D625,911 S 10/2010 Lee et al.
D627,656 S 11/2010 Wendt
D639,667 S 6/2011 Bogert et al.
D640,131 S 6/2011 Gibson et al.
D646,581 S 10/2011 Baron
D649,284 S 11/2011 Patel et al.
D650,268 S 12/2011 Gibson et al.
D655,158 S 3/2012 Drozek et al.
D664,849 S 8/2012 Fracasso
D665,170 S * 8/2012 Lipfert D3/289
D665,253 S * 8/2012 Bellamah D9/424
D673,848 S 1/2013 Bailey et al.
D674,688 S 1/2013 Loftin et al.
D675,516 S 2/2013 Horton et al.
D677,572 S 3/2013 Papiernik
D679,183 S 4/2013 Kopulos et al.
D684,824 S 6/2013 Sweet et al.
D688,938 S 9/2013 Bailey et al.
D689,771 S 9/2013 Berggren
D690,588 S 10/2013 Pipes et al.
D692,298 S 10/2013 Pipes et al.
D704,245 S 5/2014 Kim et al.
D712,746 S 9/2014 Widdison
D727,724 S * 4/2015 Pipes A24F 23/00
D9/428

Related U.S. Application Data

(62) Division of application No. 29/589,931, filed on Jan.
5, 2017, now Pat. No. Des. 836,432.

(51) **LOC (12) Cl.** **09-07**

(52) **U.S. Cl.**
USPC **D9/443**

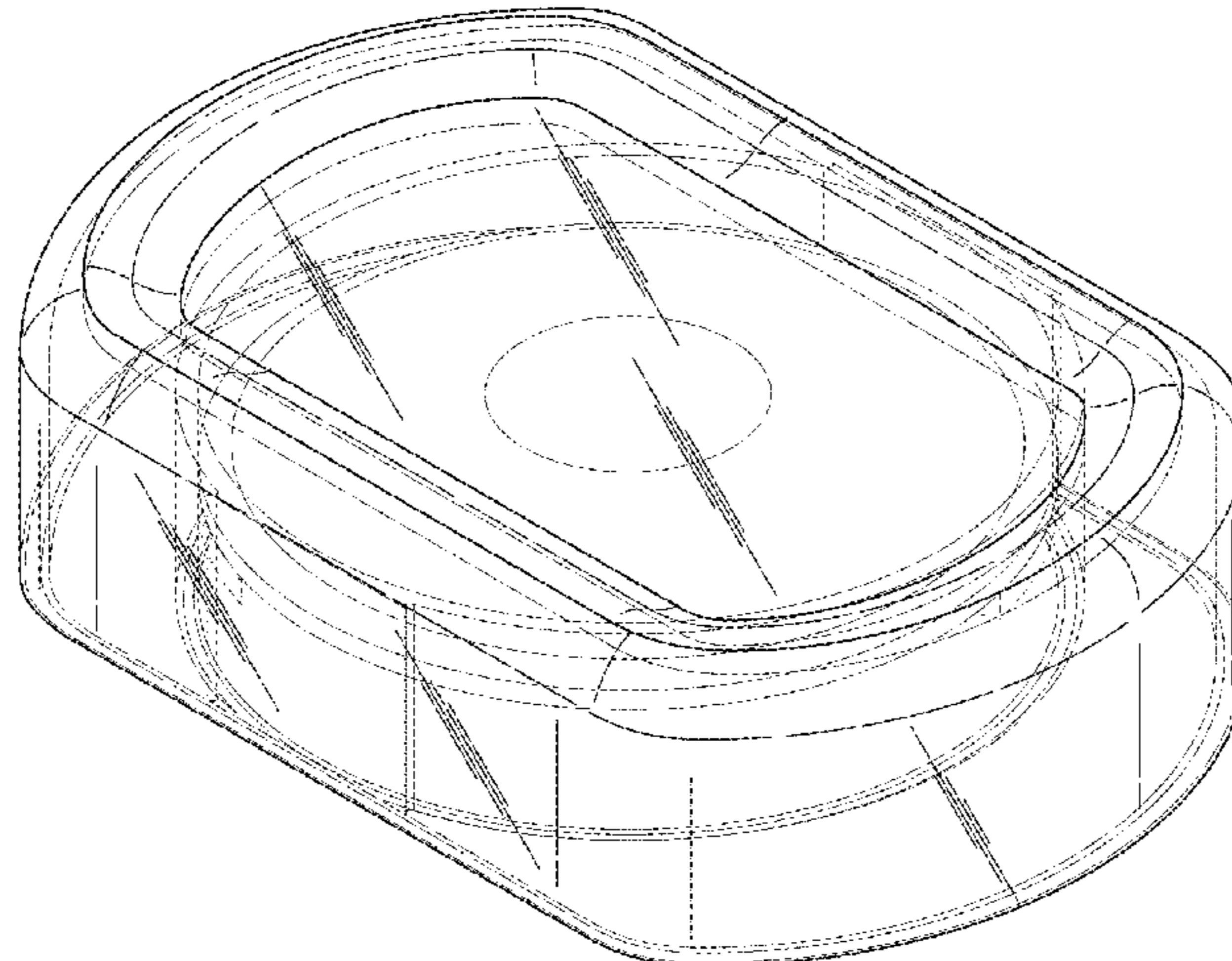
(58) **Field of Classification Search**
USPC D3/201, 202, 203.1, 203.2, 203.3, 204;
D9/414-419, 421-425, 427-429,
D9/430-436, 443, 444, 447, 455-457,
D9/499; D7/392.1
CPC ... B65D 50/046; B65D 41/04; B65D 2215/02
See application file for complete search history.

References Cited

U.S. PATENT DOCUMENTS

D203,360 S 12/1965 Becker
4,832,220 A 5/1989 Quennessen
D301,837 S 6/1989 Peterson et al.
D334,143 S 3/1993 Rothfos
D363,028 S 10/1995 Mansau
5,699,925 A 12/1997 Petruzzi

D732,394 S 6/2015 DeMarco et al.
D740,018 S * 10/2015 Zhang D3/201
D747,969 S 1/2016 Baron et al.
D756,234 S 5/2016 Orset
D757,560 S 5/2016 Fendi
D763,681 S * 8/2016 Morgan D9/428
D764,276 S * 8/2016 Das D9/425
D764,928 S 8/2016 Staab



D766,093 S	9/2016	Otani	
D767,405 S	9/2016	Orset	
9,445,631 B1	9/2016	Patel et al.	
D788,593 S	6/2017	Dalton	
D820,584 S *	6/2018	Axelrod	D3/203.1
D822,483 S *	7/2018	Ahmed	D9/443
D831,479 S *	10/2018	Lylyk	D9/432
D836,432 S *	12/2018	Riedel	D9/443
D837,060 S *	1/2019	Riedel	D9/574
D838,184 S *	1/2019	Riedel	D9/574
10,167,134 B2 *	1/2019	Zeitlin	A24F 15/20
D839,583 S *	2/2019	Cao	D3/201
D846,264 S *	4/2019	Wu	D3/201
2010/0018883 A1	1/2010	Patel	
2016/0083280 A1	3/2016	Sato et al.	

OTHER PUBLICATIONS

Star Tribune. Memo to CVS: Bring back Target’s consumer-friendly red pill bottles. Aug. 9, 2016. <http://www.startribune.com/memo-to-cvs-bring-back-target-s-consumer-friendly-red-pill-bottles/389668551/> (Year: 2016).*

“Lock Ups”, printed from www.containerstore.com/s/gift-packaging/containers/boxes/lock-ups/123d?productId=10028612, publicly available at least as early as Aug. 18, 2016 (4 pages).

Photographs of CVS Health Packaged Vitamins publicly available at least as early as Oct. 31, 2016 (1 page).

U.S. Appl. No. 29/589,929, filed Jan. 5, 2017 (95 pages).

U.S. Appl. No. 29/589,930, filed Jan. 5, 2017 (95 pages).

U.S. Appl. No. 20/589,933, filed Jan. 5, 2017 (59 pages).

Sanford’s Tug Boat Ink Bottle. Online, published date unknown. Retrieved Nov. 14, 2017 from URL: <http://www.marthasvintageattic.com/ink-bottles-and-inkwells/sanfords-tug-boat-ink-bottle-vintage/>.

A vintage fountain pen leaning against an open bottle of ink on a white background. Online, published date unknown. Retrieved on Nov. 14, 2017 from URL: <http://www.alamy.com/stock-photo-a-vintage-fountain-pen-leaning-against-an-open-bottle-of-ink-on-a-48134748.html?pv=1&stamp=2&imageid=F5B0091C-B9C1-40E3-9032-86C1477>.

Crate & Barrel. OXO Steel Pop 4-Qt. Container. 2018 [earliest online date], [site visited Apr. 11, 2018]. Available from Internet, <URL: <https://www.crateandbarrel.com/oxo-steel-pop-4-qt.-container/s610735>>. (Year: 2018).

* cited by examiner

Primary Examiner — Darcey E Gottschalk
(74) Attorney, Agent, or Firm — JoAnn M. Seaton;
Griffiths & Seaton PLLC

(57) CLAIM

The ornamental design for a container cap, as shown and described.

DESCRIPTION

FIG. 1 is a top perspective view of a container cap of showing an embodiment of our new design;
FIG. 2 is a bottom perspective view thereof;
FIG. 3 is a front view thereof, the rear view being a mirror image of the front view;
FIG. 4 is a right side view thereof, the left side view being a mirror image of the right side view;
FIG. 5 is a top view thereof; and
FIG. 6 is a bottom view thereof.
FIG. 7 is a top perspective view of a container cap of showing an embodiment of our new design;
FIG. 8 is a bottom perspective view thereof;

FIG. 9 is a front view thereof, the rear view being a mirror image of the front view;
FIG. 10 is a right side view thereof, the left side view being a mirror image of the right side view;
FIG. 11 is a top view thereof; and
FIG. 12 is a bottom view thereof.
FIG. 13 is a top perspective view of a container cap of showing an embodiment of our new design;
FIG. 14 is a bottom perspective view thereof;
FIG. 15 is a front view thereof, the rear view being a mirror image of the front view;
FIG. 16 is a right side view thereof, the left side view being a mirror image of the right side view;
FIG. 17 is a top view thereof; and
FIG. 18 is a bottom view thereof.
FIG. 19 is a top perspective view of a container cap of showing an embodiment of our new design;
FIG. 20 is a bottom perspective view thereof;
FIG. 21 is a front view thereof, the rear view being a mirror image of the front view;
FIG. 22 is a right side view thereof, the left side view being a mirror image of the right side view;
FIG. 23 is a top view thereof; and
FIG. 24 is a bottom view thereof.
FIG. 25 is a top perspective view of a container cap of showing an embodiment of our new design;
FIG. 26 is a bottom perspective view thereof;
FIG. 27 is a front view thereof, the rear view being a mirror image of the front view;
FIG. 28 is a right side view thereof, the left side view being a mirror image of the right side view;
FIG. 29 is a top view thereof; and
FIG. 30 is a bottom view thereof.
FIG. 31 is a top perspective view of a container cap of showing an embodiment of our new design;
FIG. 32 is a bottom perspective view thereof;
FIG. 33 is a front view thereof, the rear view being a mirror image of the front view;
FIG. 34 is a right side view thereof, the left side view being a mirror image of the right side view;
FIG. 35 is a top view thereof; and
FIG. 36 is a bottom view thereof.
FIG. 37 is a top perspective view of a container cap of showing an embodiment of our new design;
FIG. 38 is a bottom perspective view thereof;
FIG. 39 is a front view thereof, the rear view being a mirror image of the front view;
FIG. 40 is a right side view thereof, the left side view being a mirror image of the right side view;
FIG. 41 is a top view thereof; and
FIG. 42 is a bottom view thereof.
FIG. 43 is a top perspective view of a container cap of showing an embodiment of our new design;
FIG. 44 is a bottom perspective view thereof;
FIG. 45 is a front view thereof, the rear view being a mirror image of the front view;
FIG. 46 is a right side view thereof, the left side view being a mirror image of the right side view;
FIG. 47 is a top view thereof; and,
FIG. 48 is a bottom view thereof.
In the drawings, the broken lines depict unclaimed subject matter only and form no part of the claimed design.

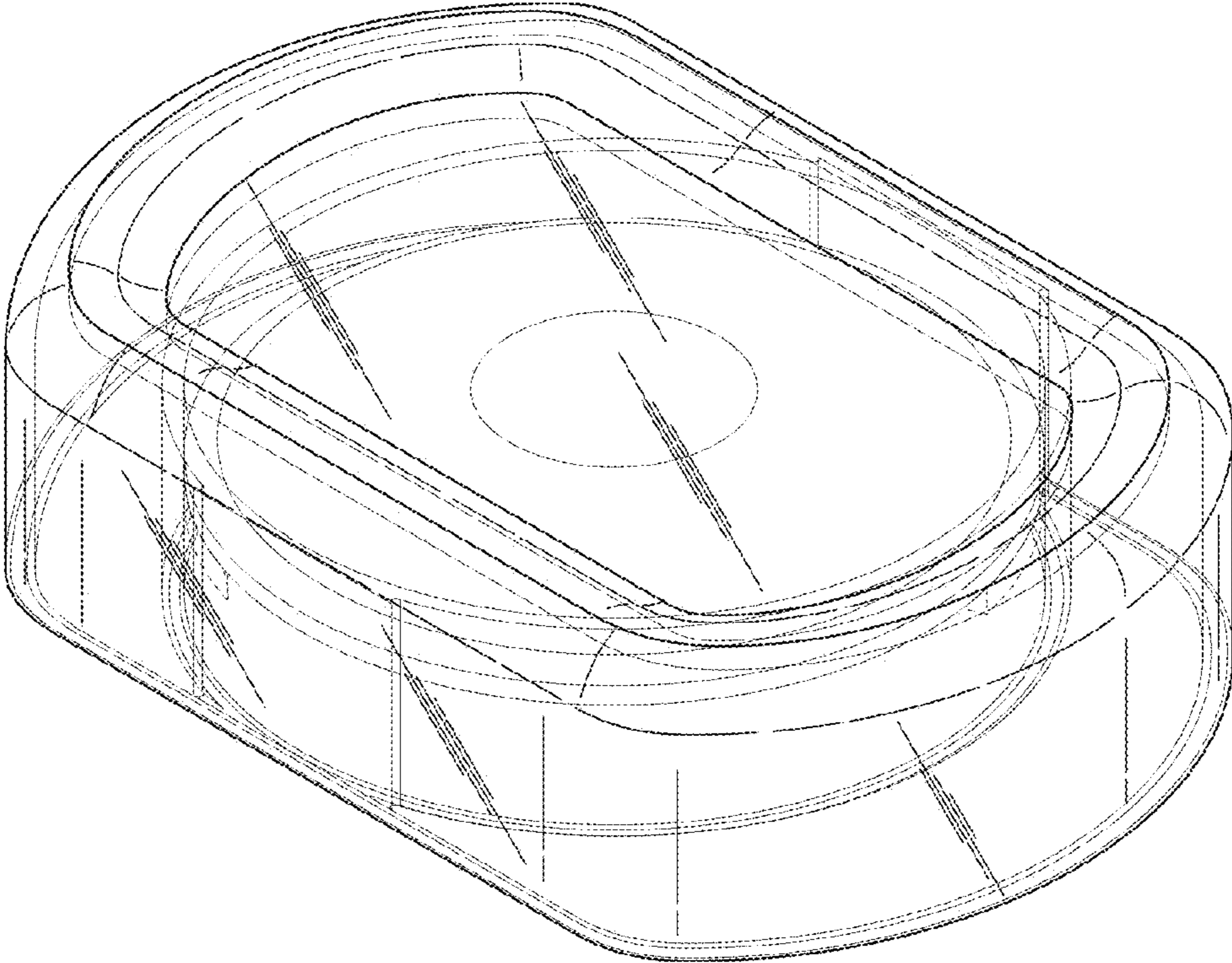


FIG. 1

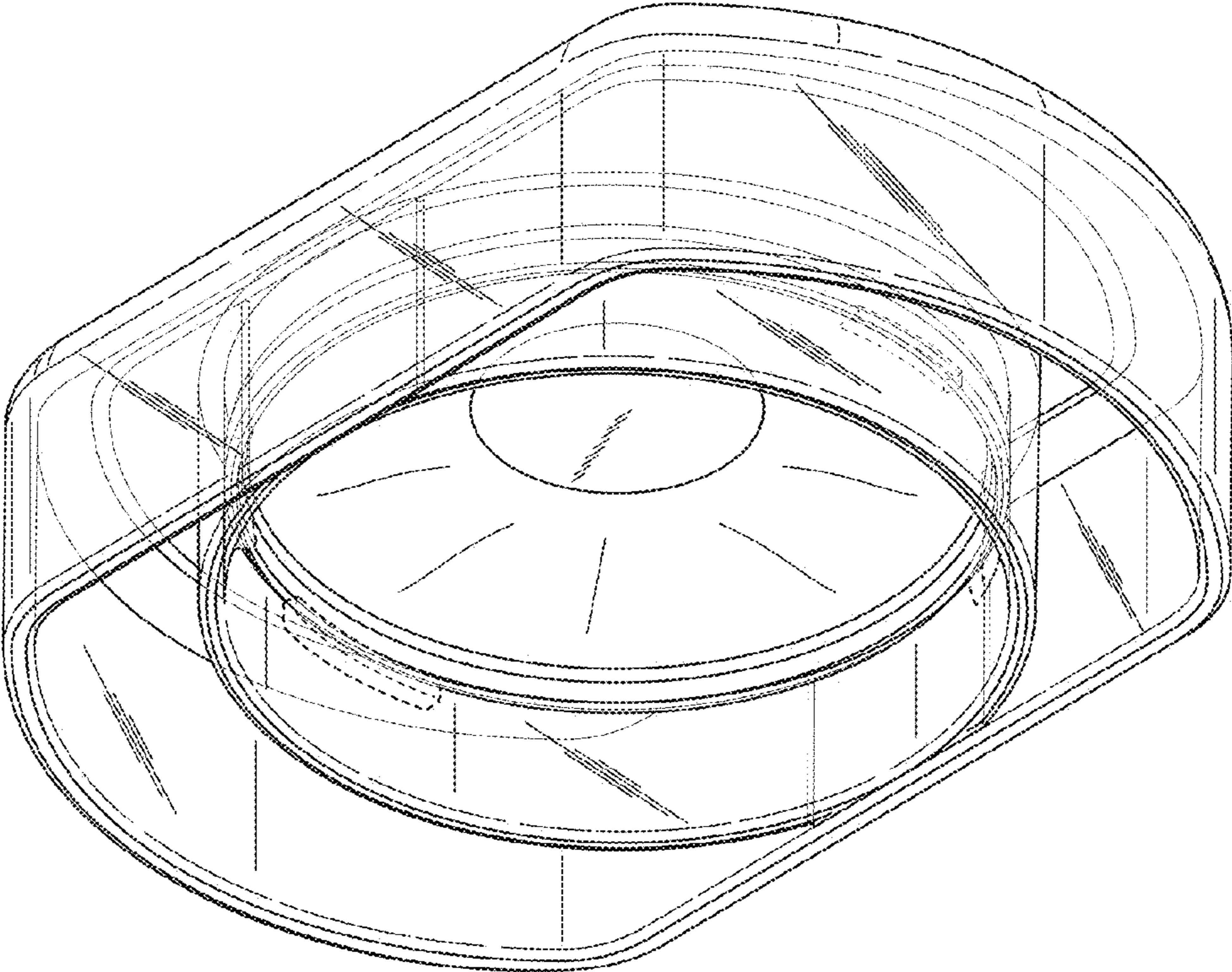


FIG. 2

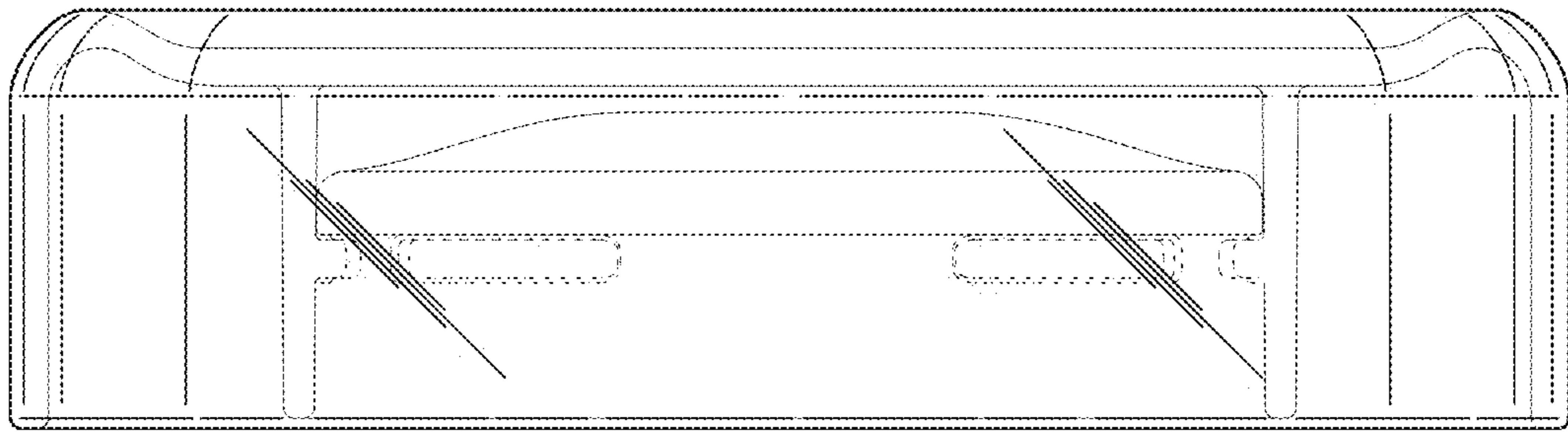


FIG. 3

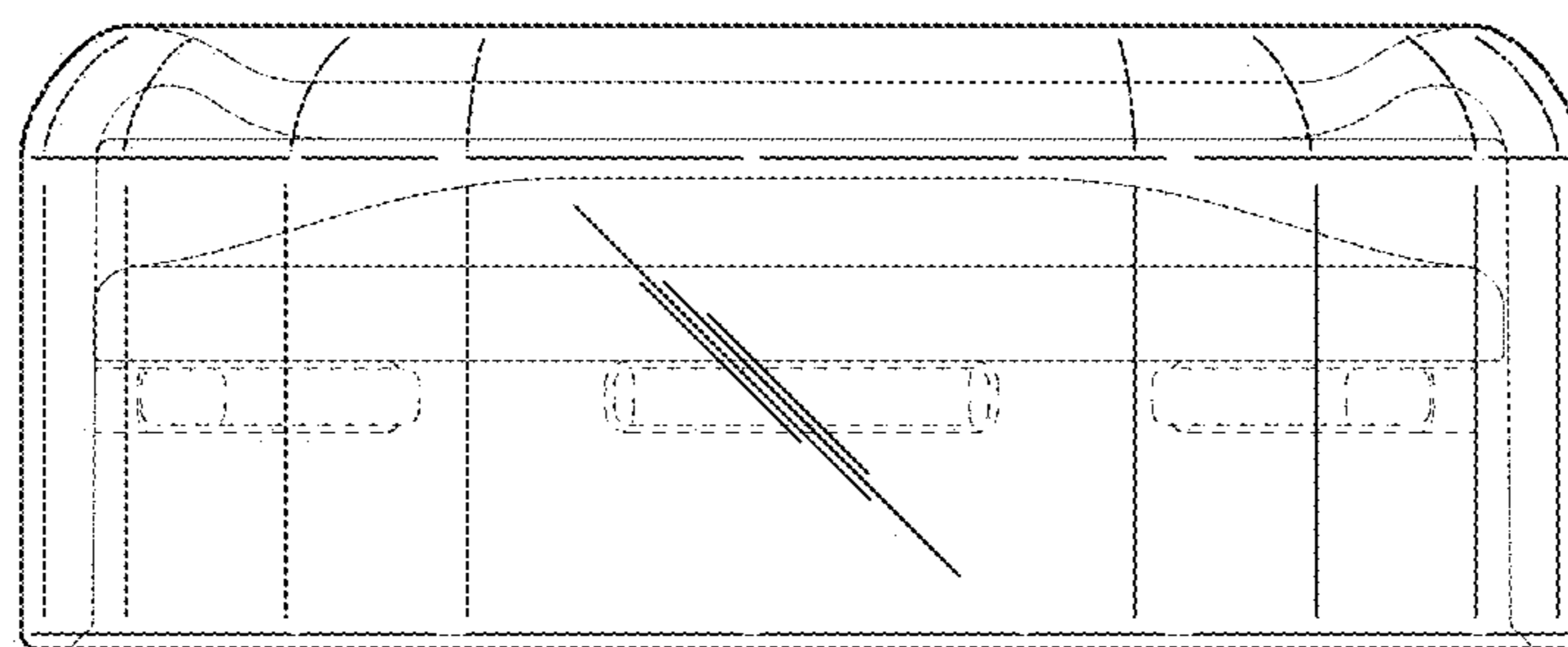


FIG. 4

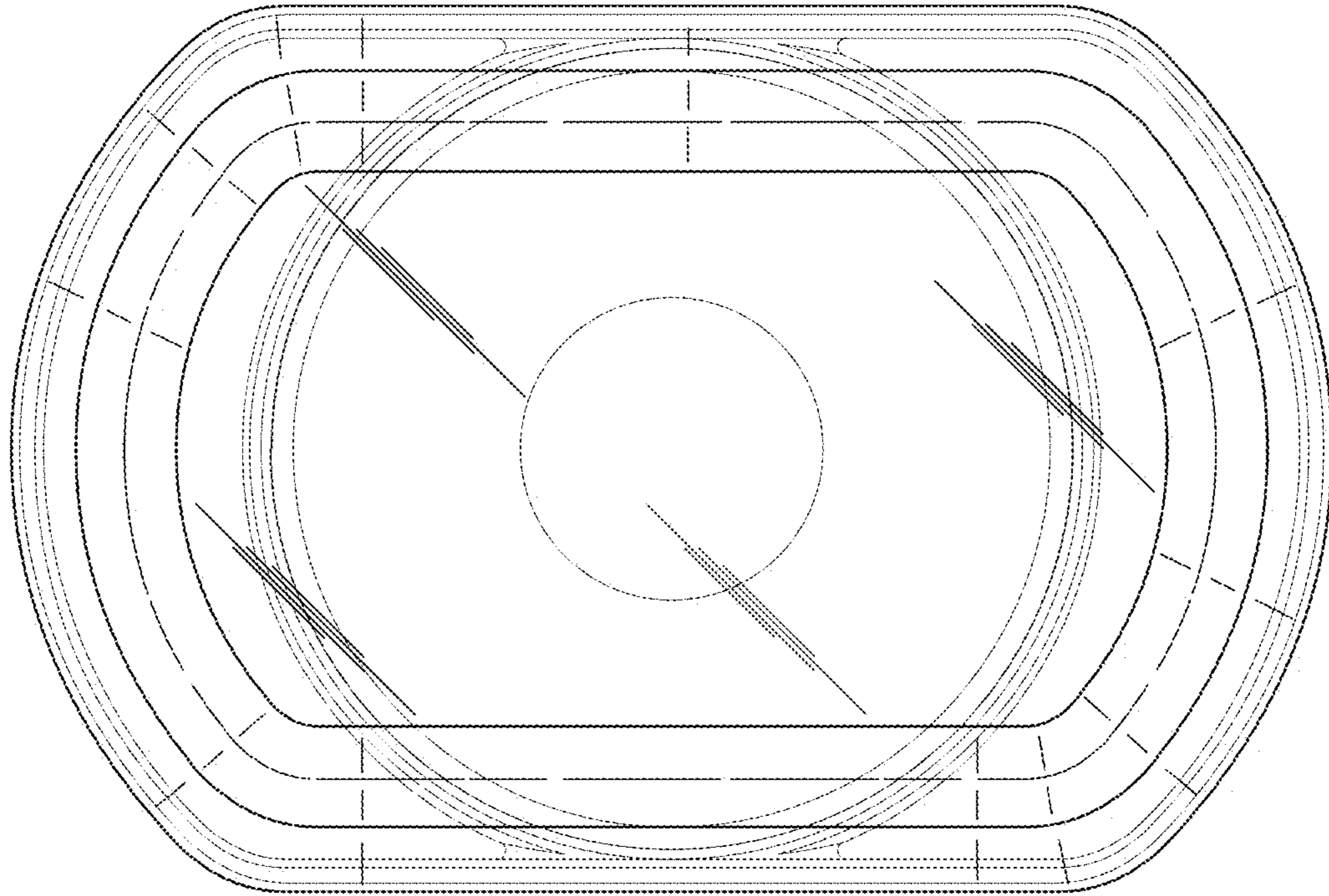


FIG. 5

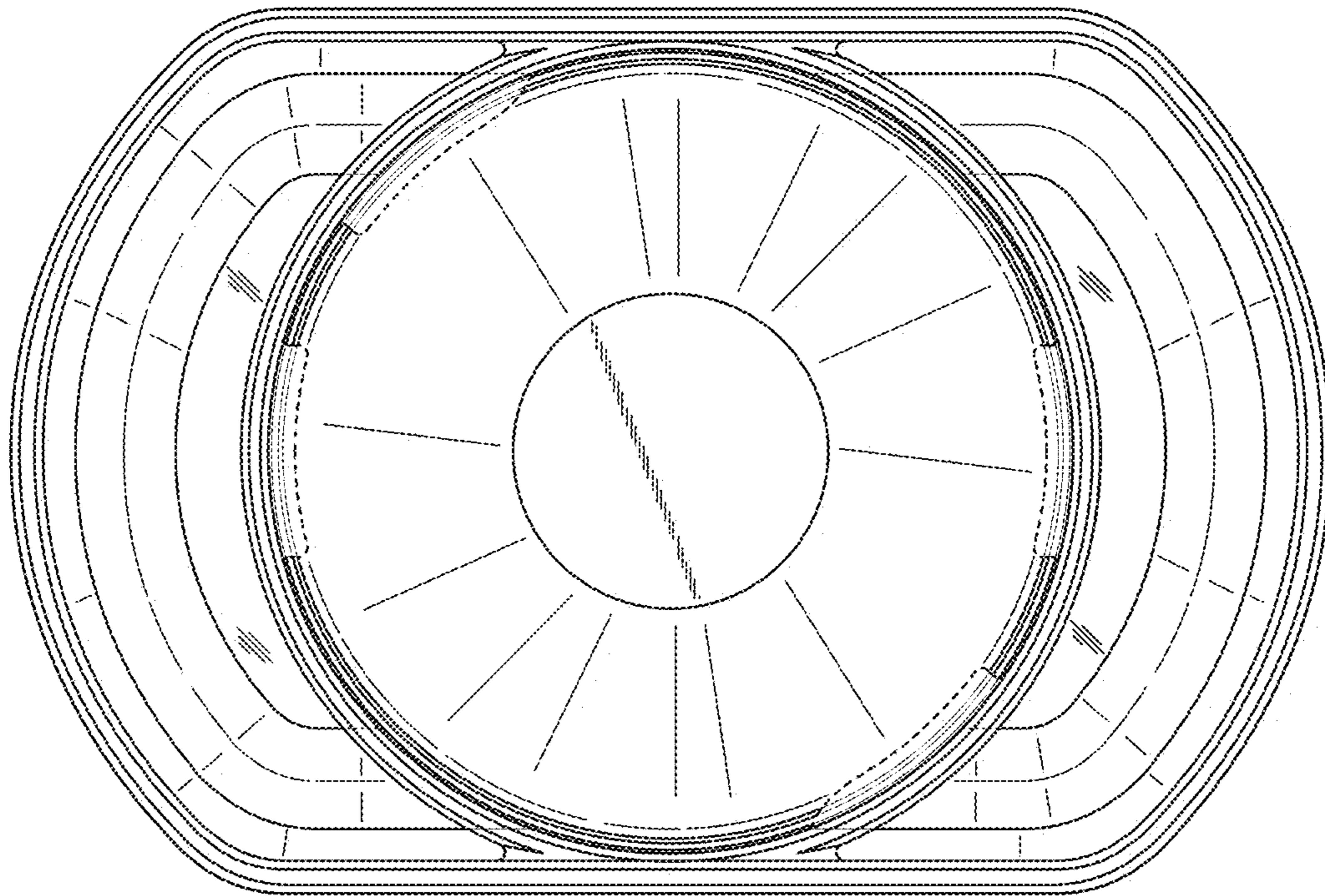


FIG. 6

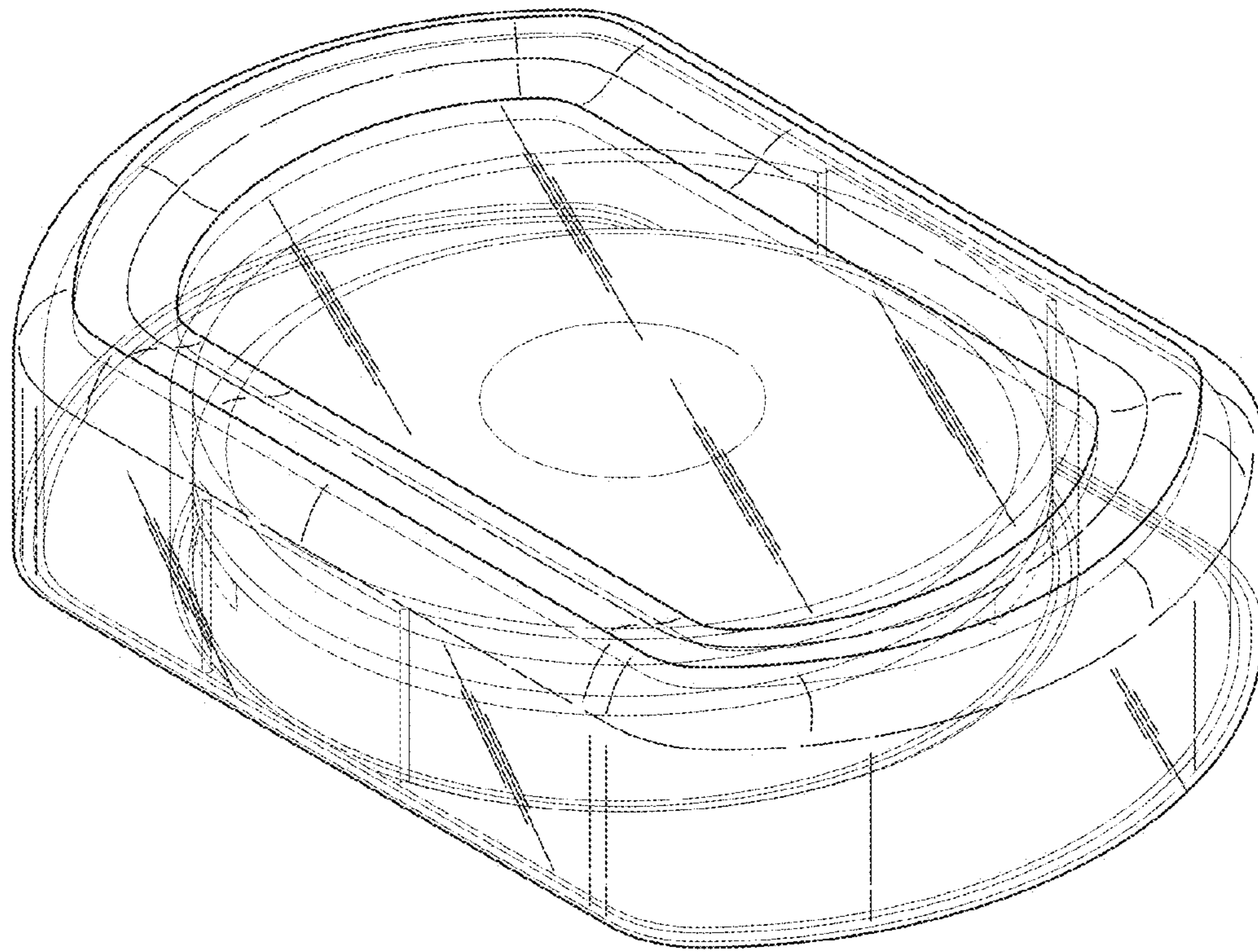


FIG. 7

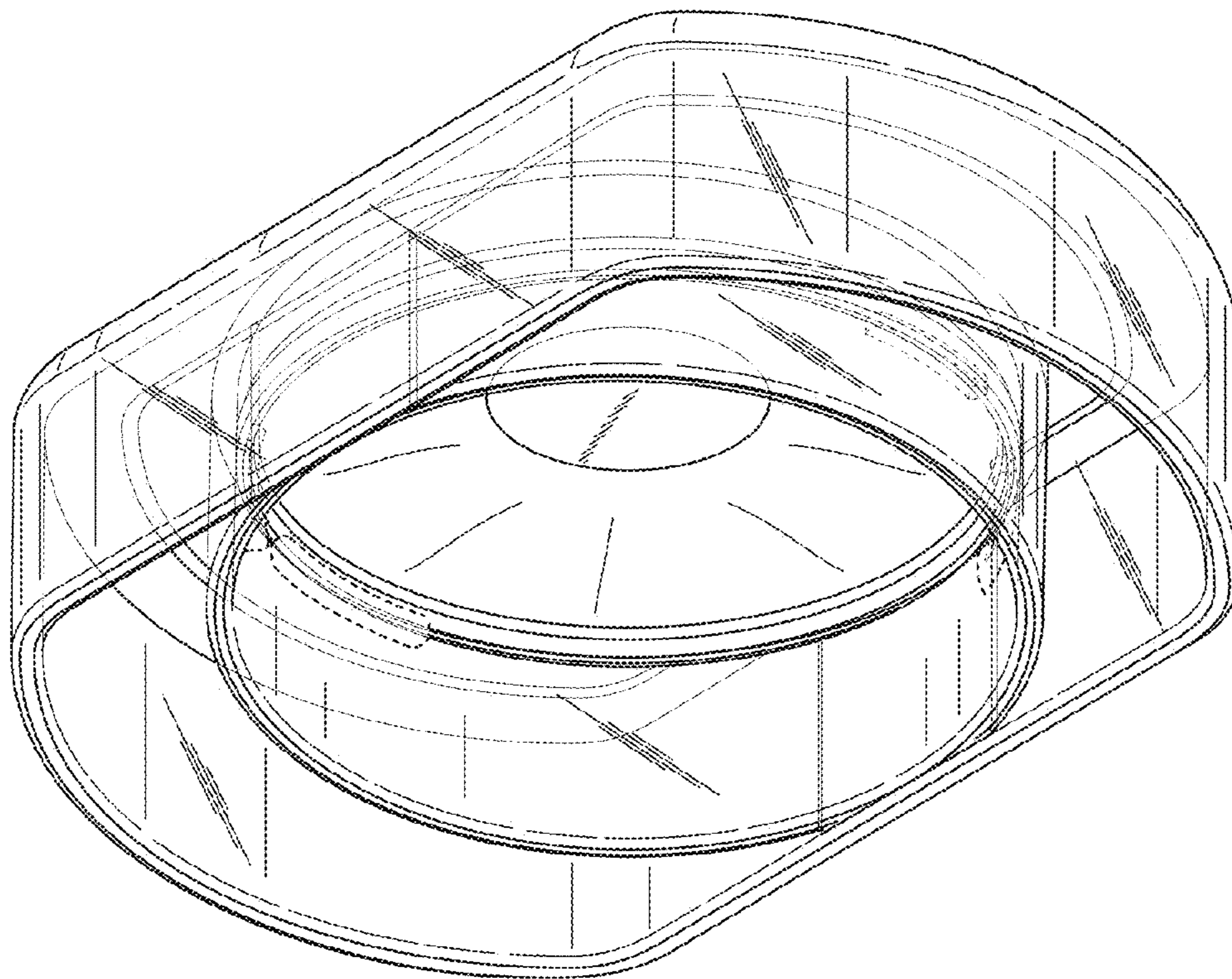


FIG. 8

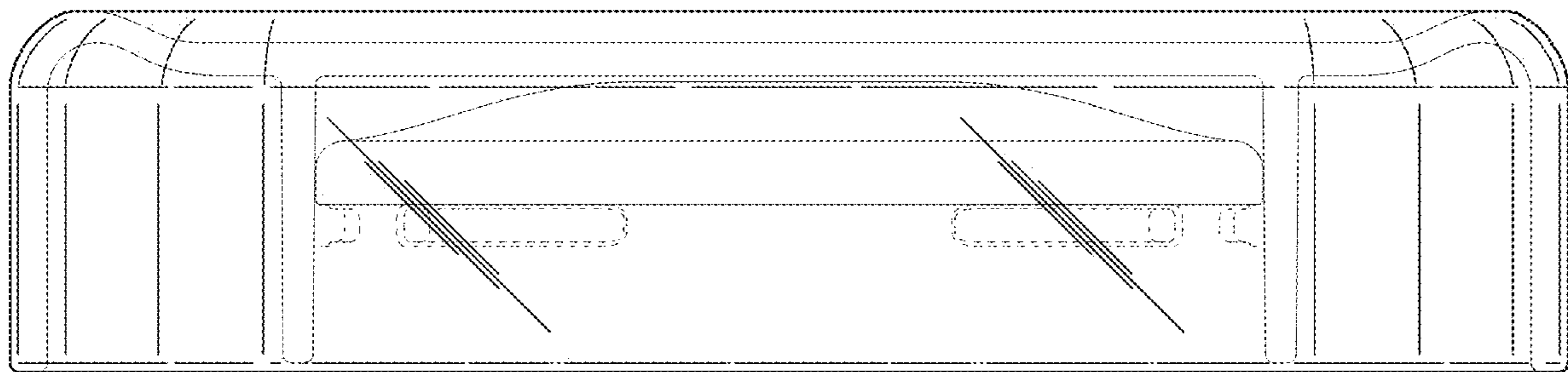


FIG. 9

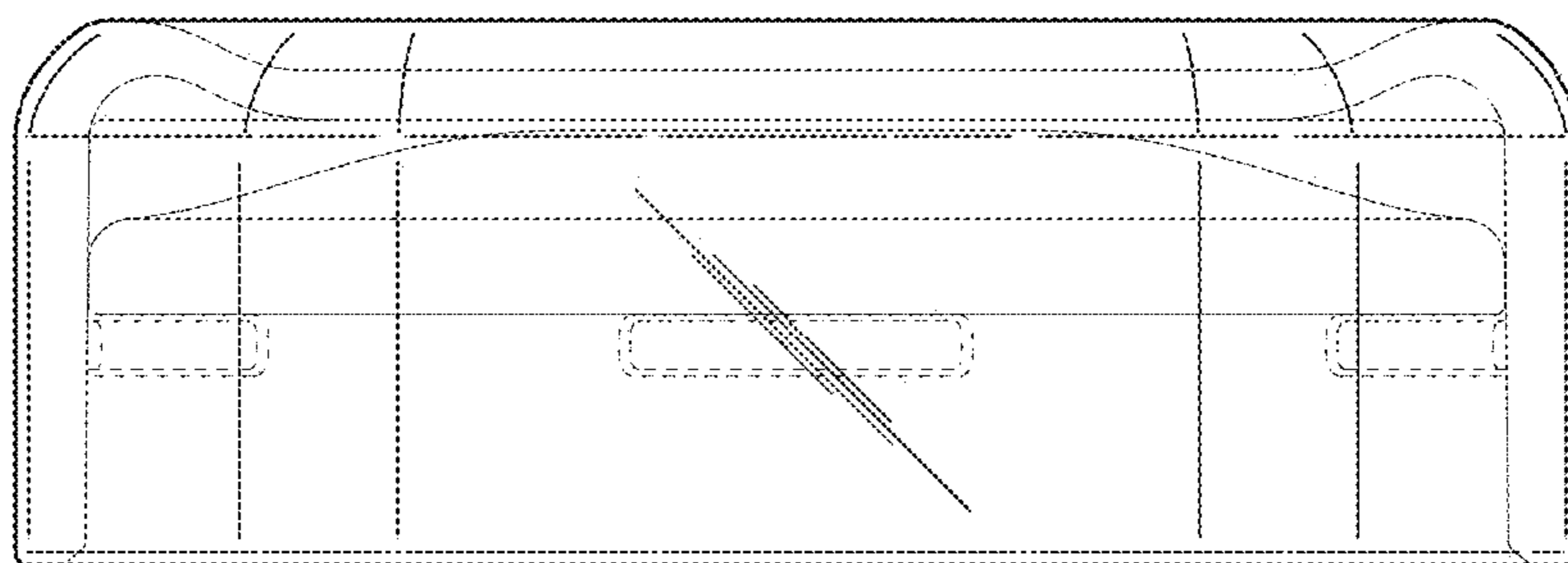


FIG. 10

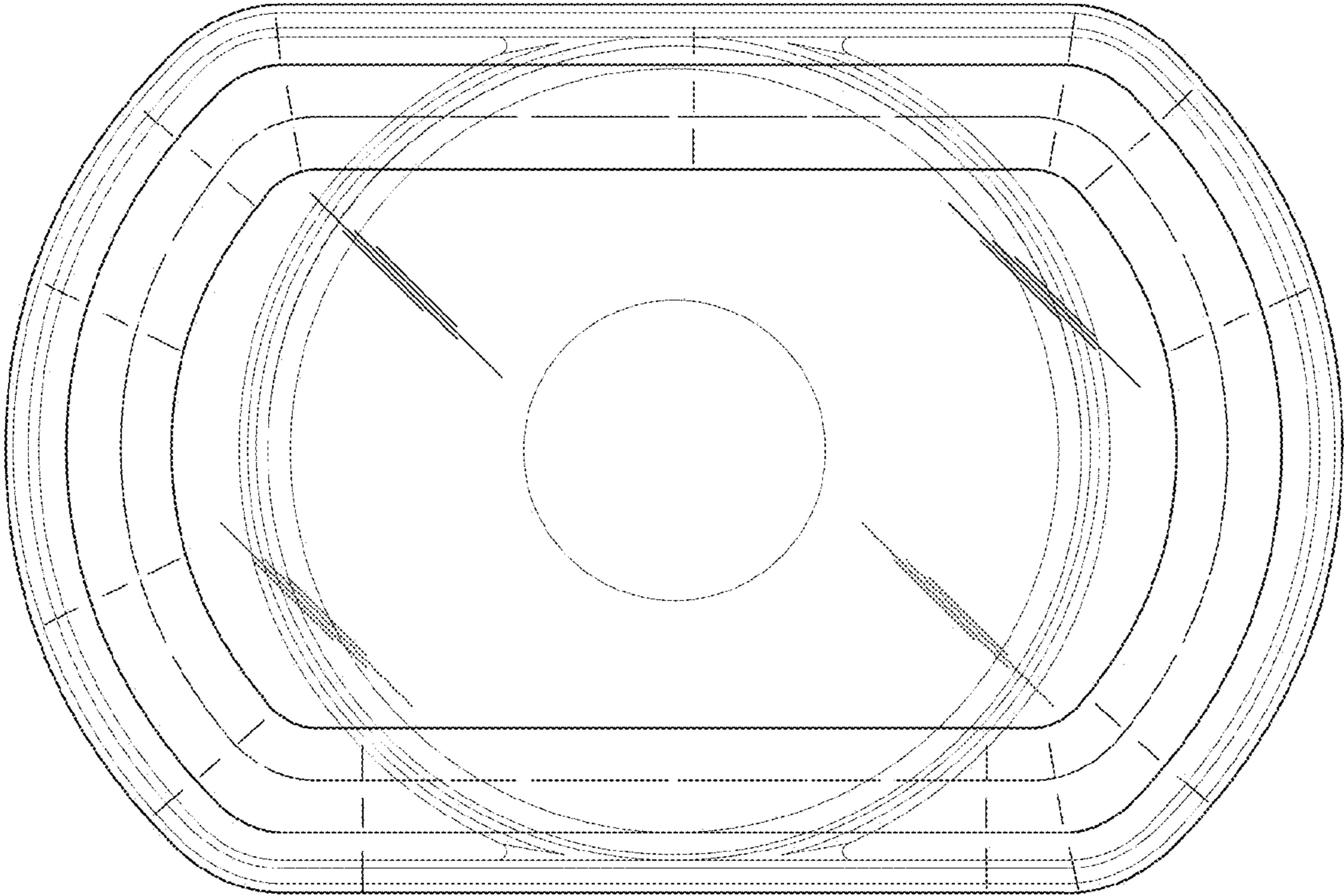


FIG. 11

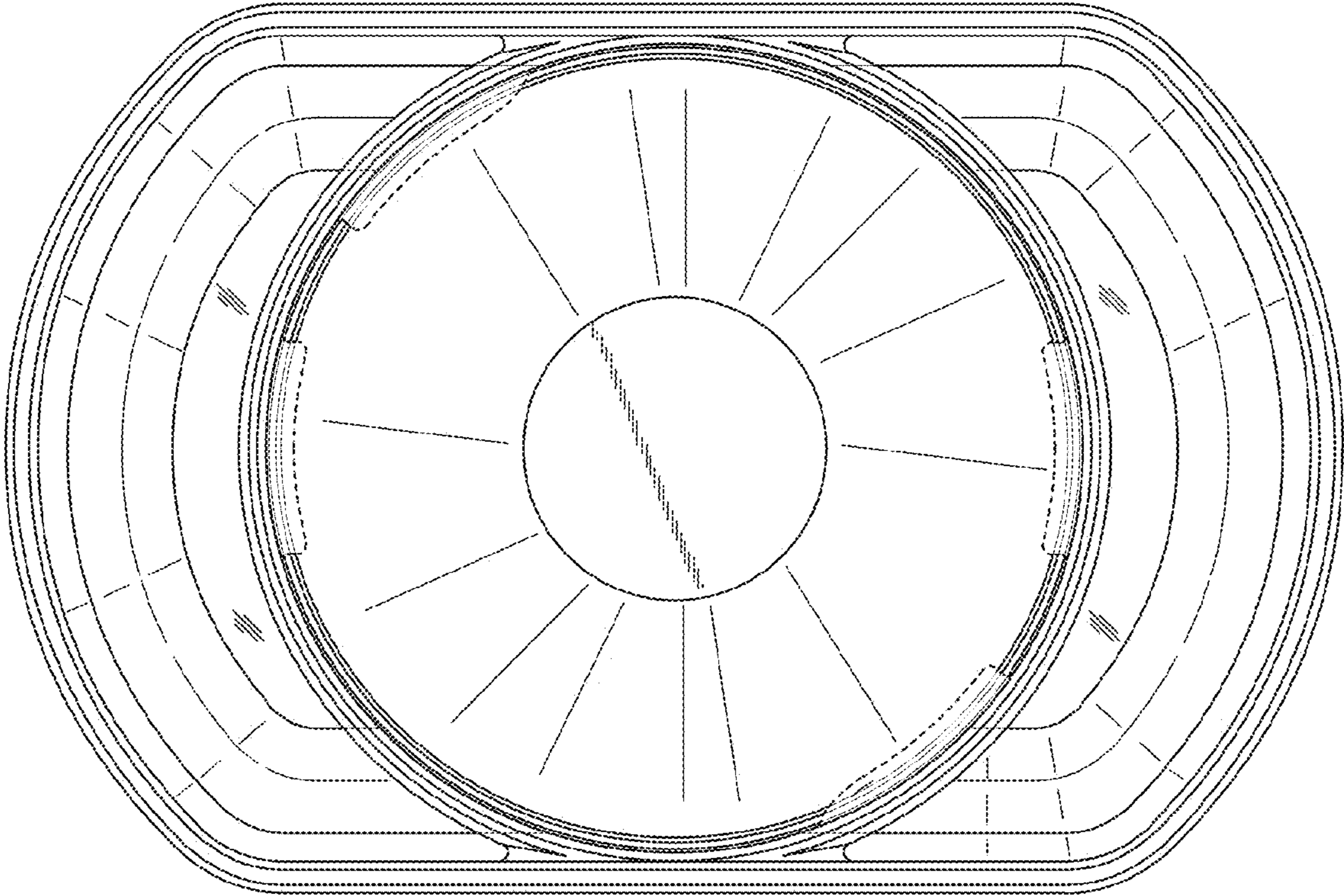


FIG. 12

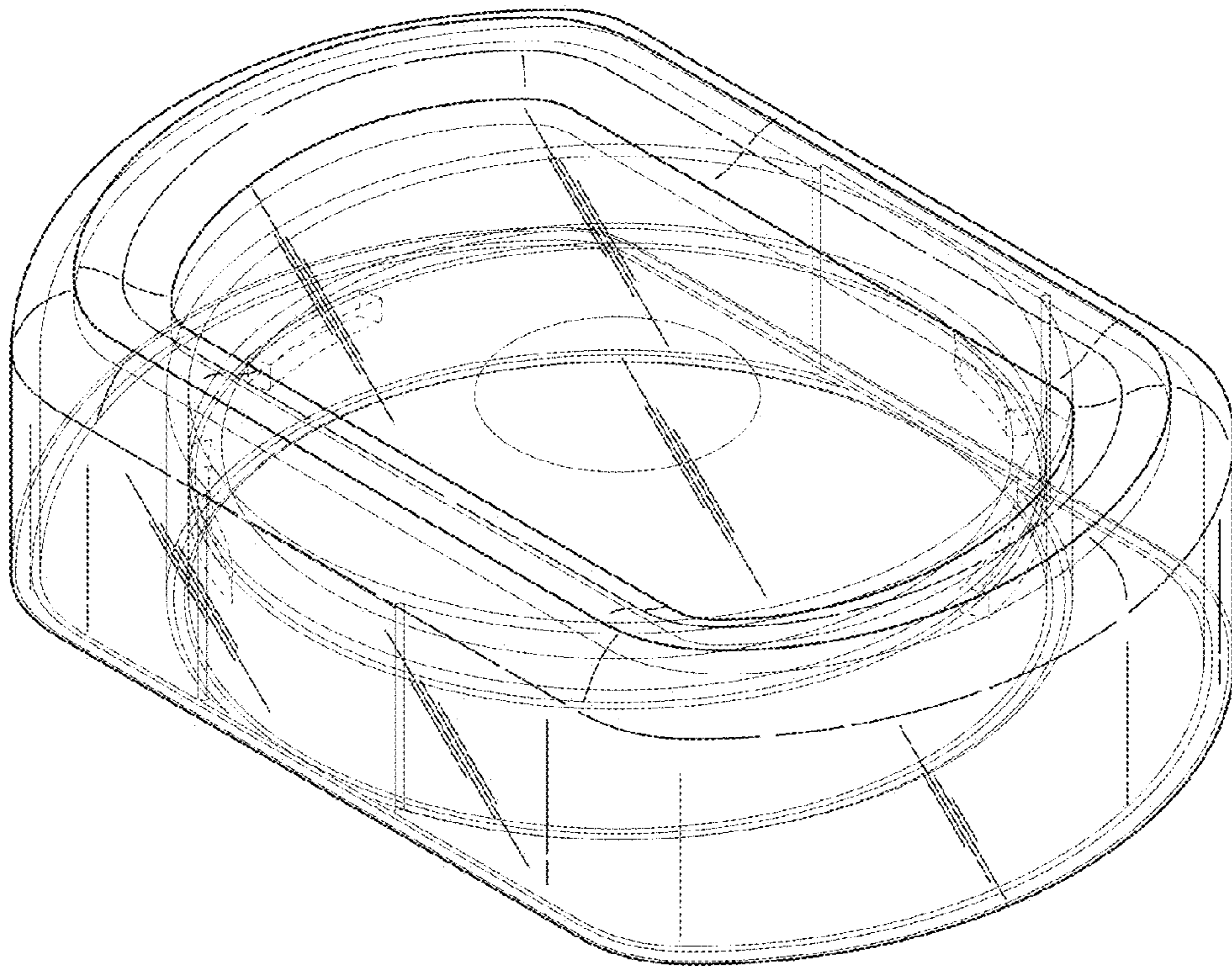


FIG. 13

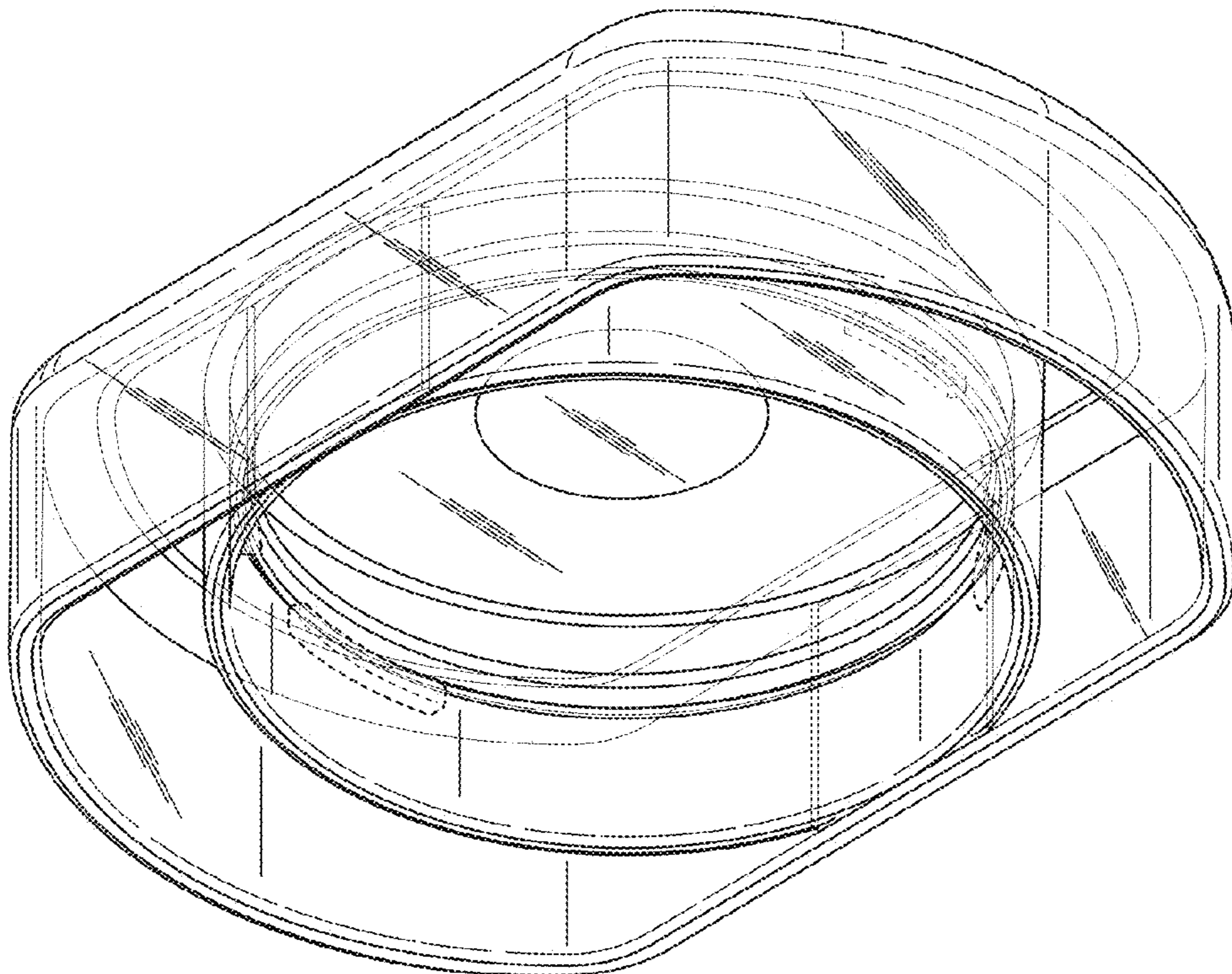


FIG. 14

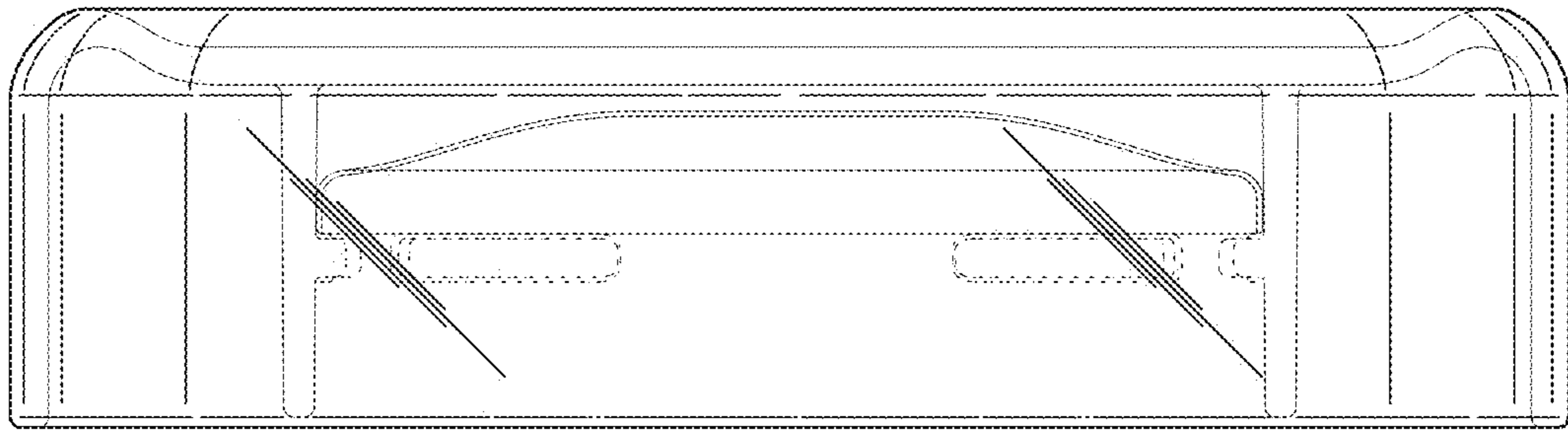


FIG. 15

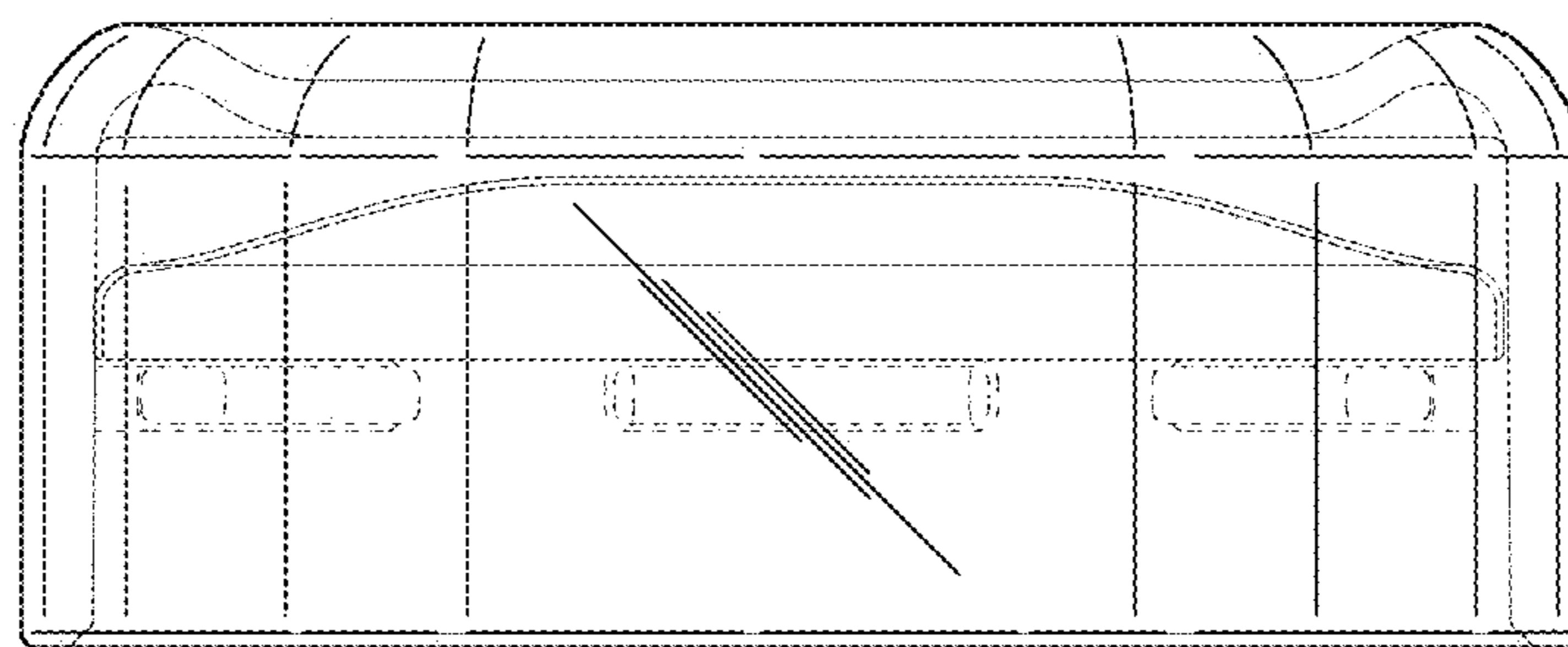


FIG. 16

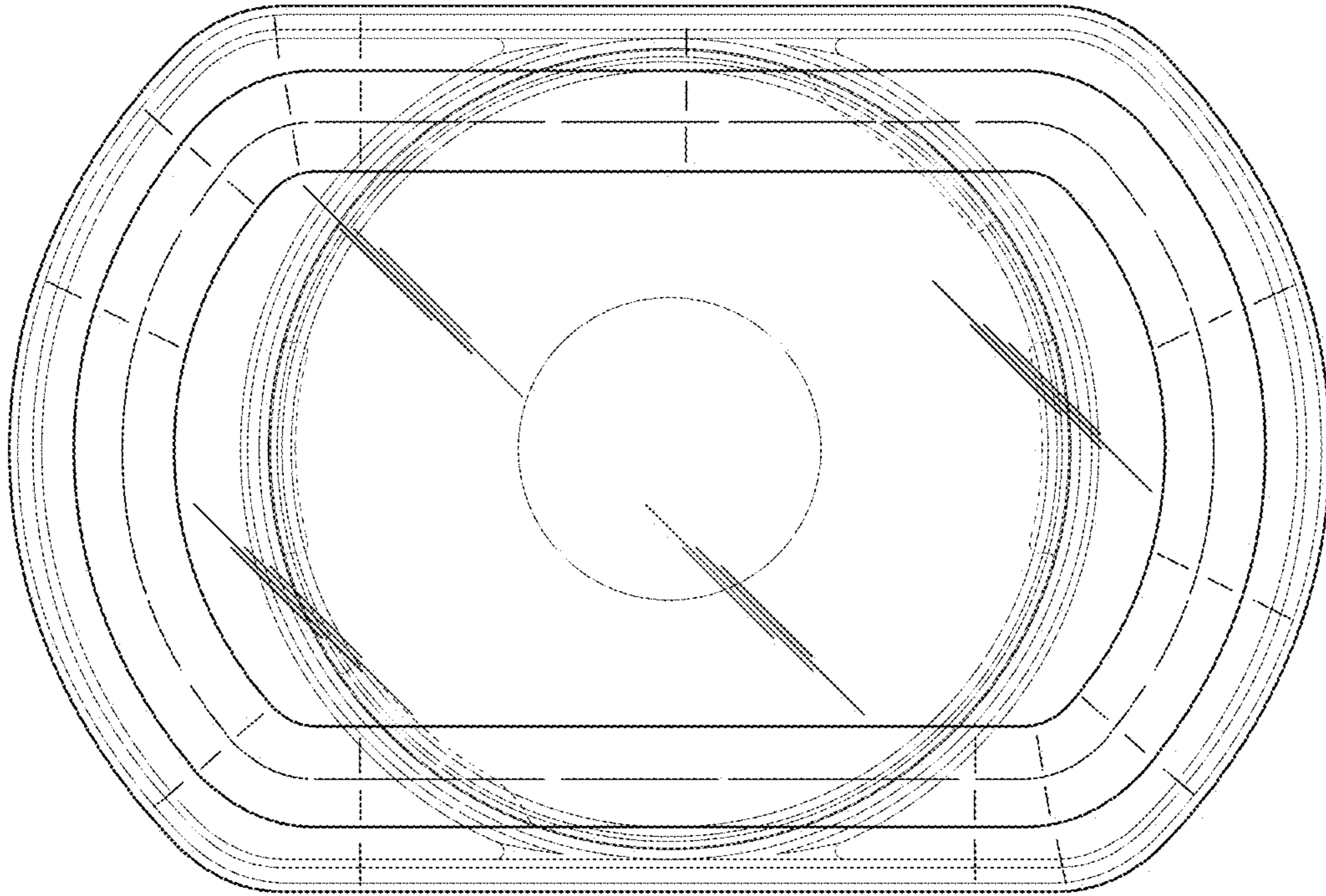


FIG. 17

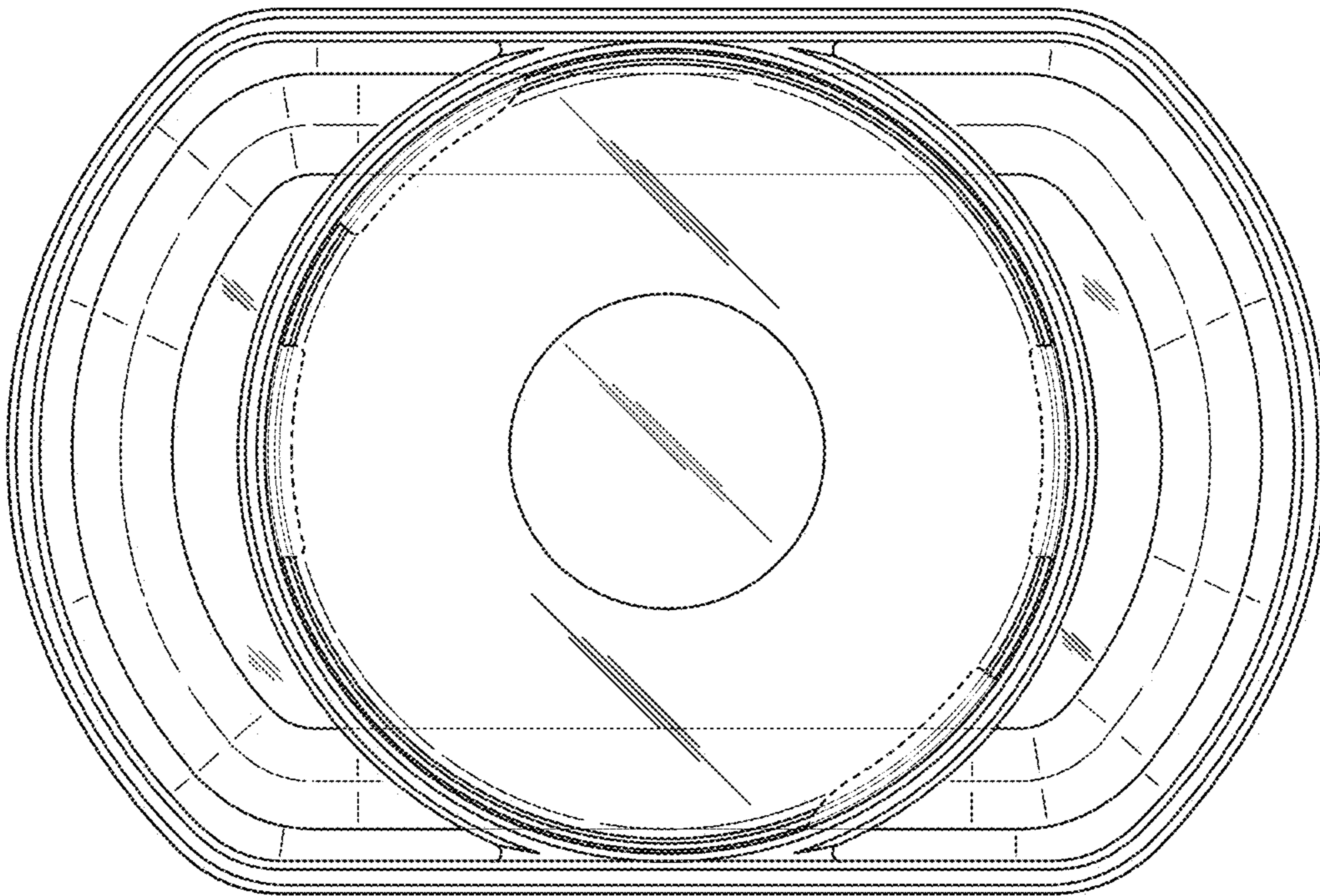


FIG. 18

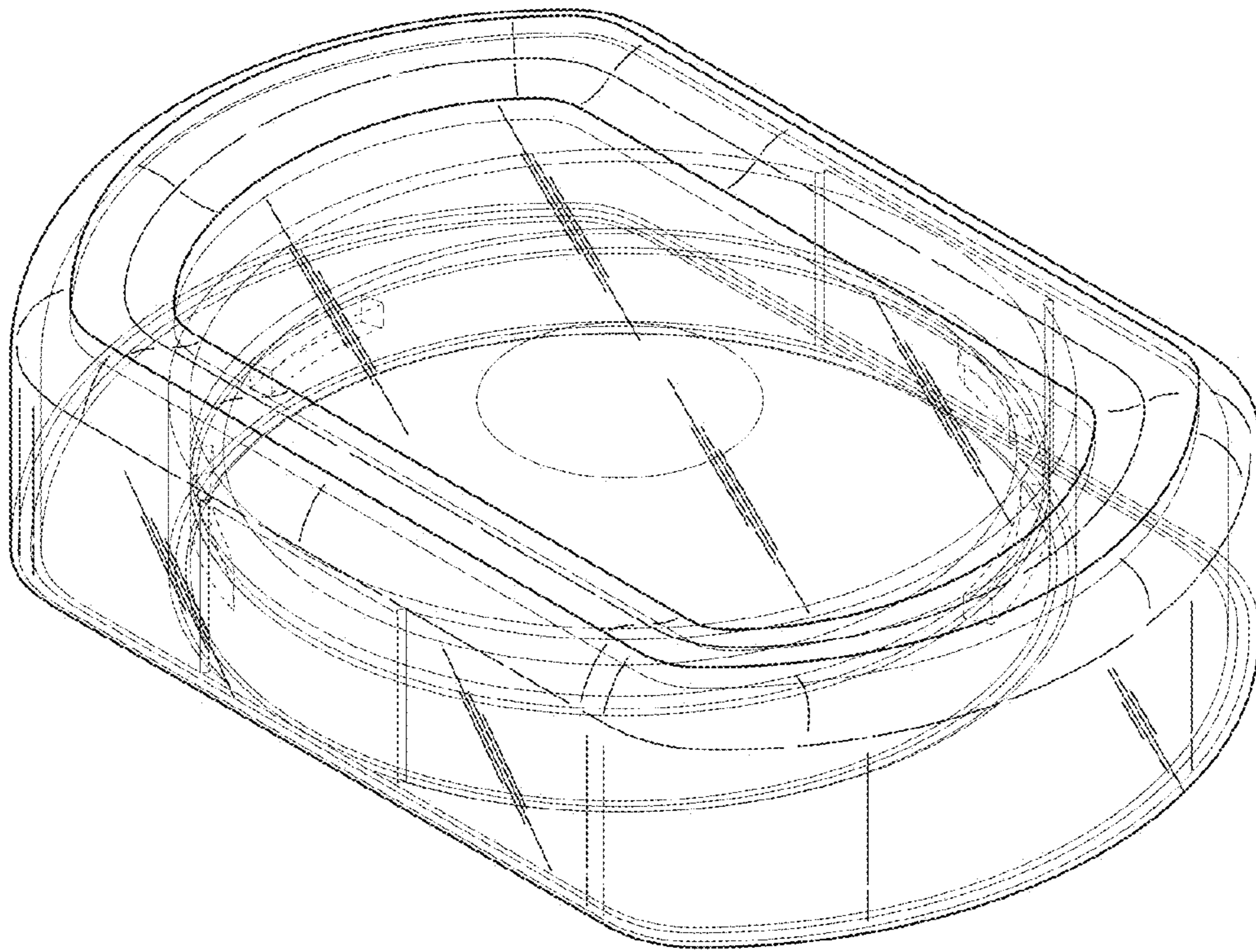


FIG. 19

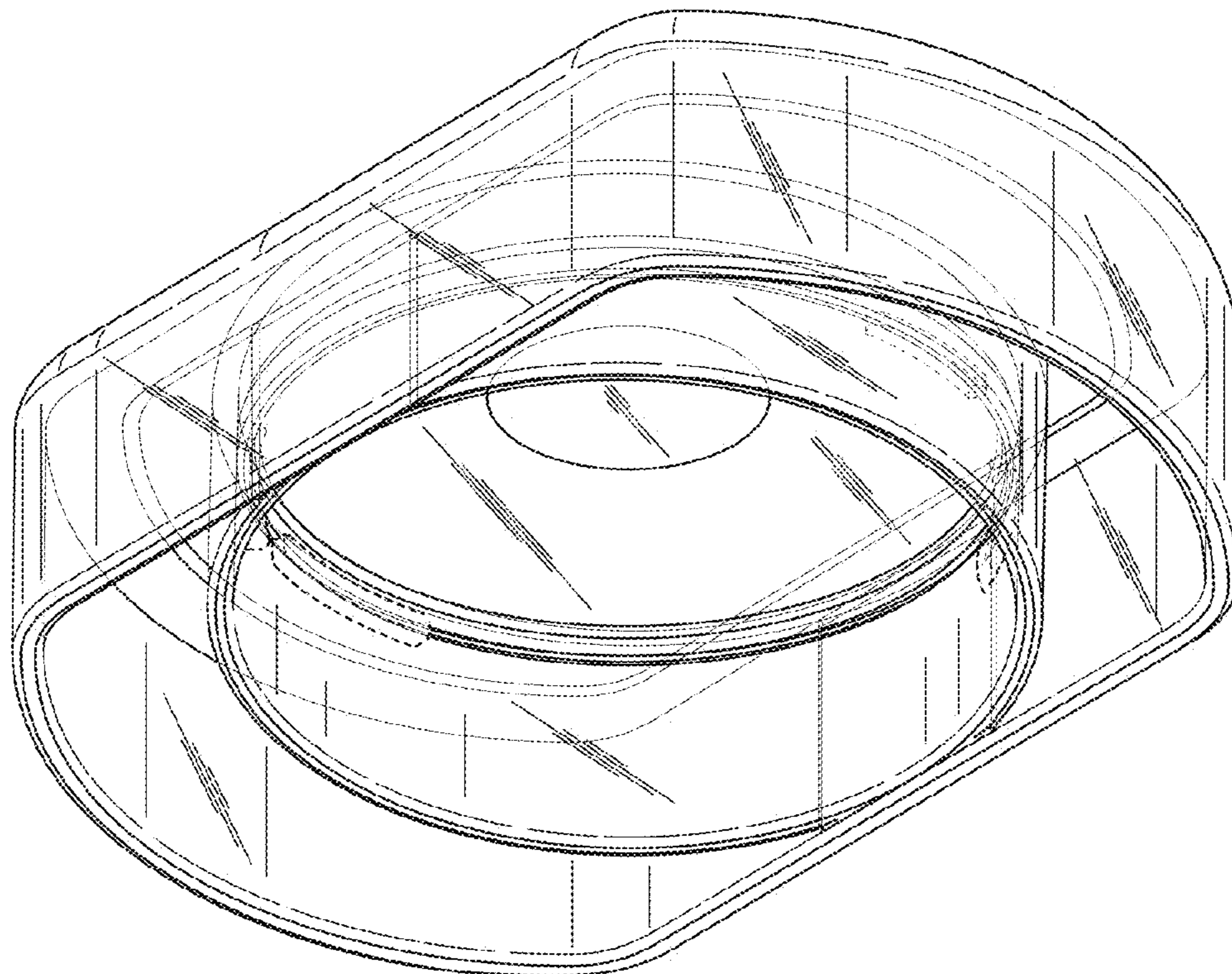


FIG. 20

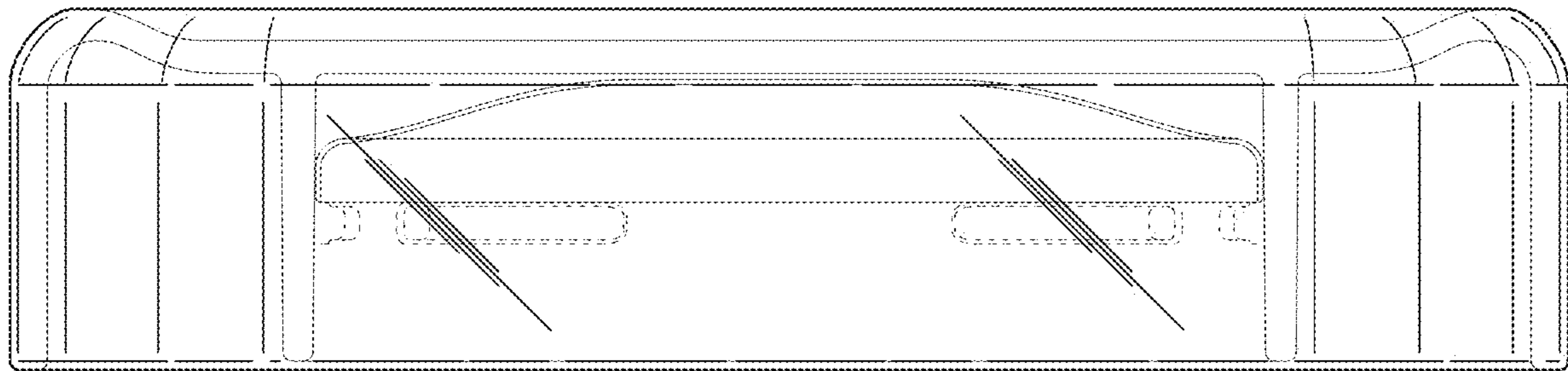


FIG. 21

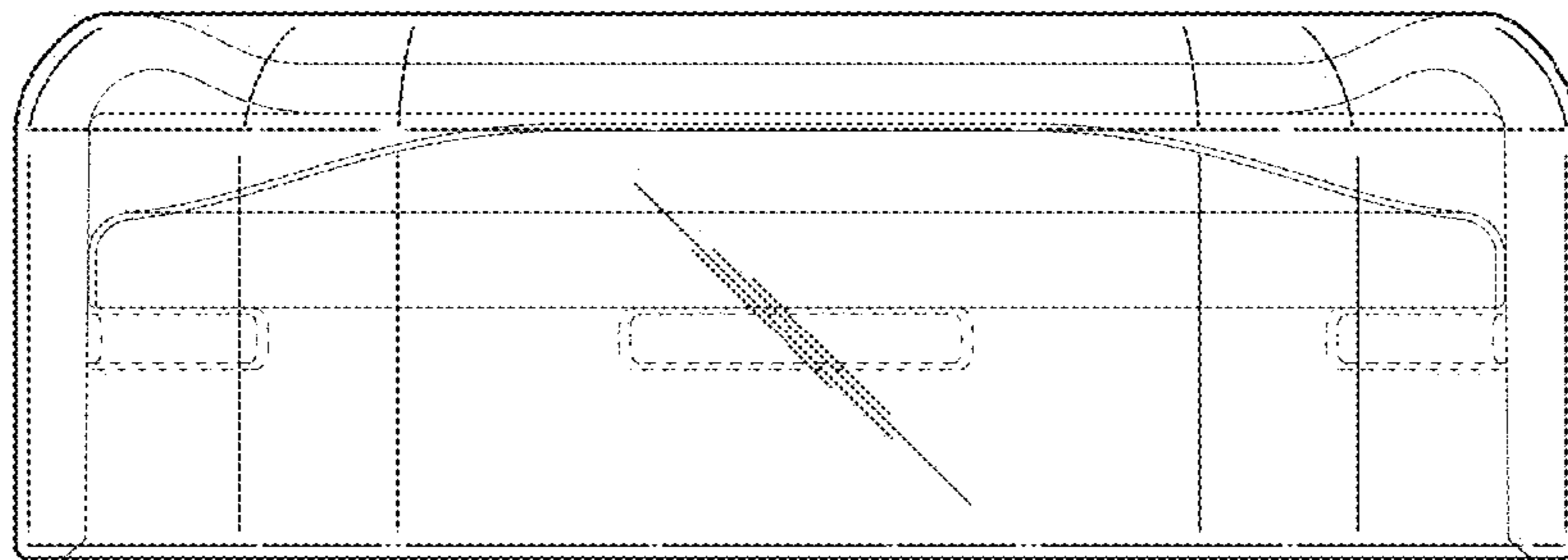


FIG. 22

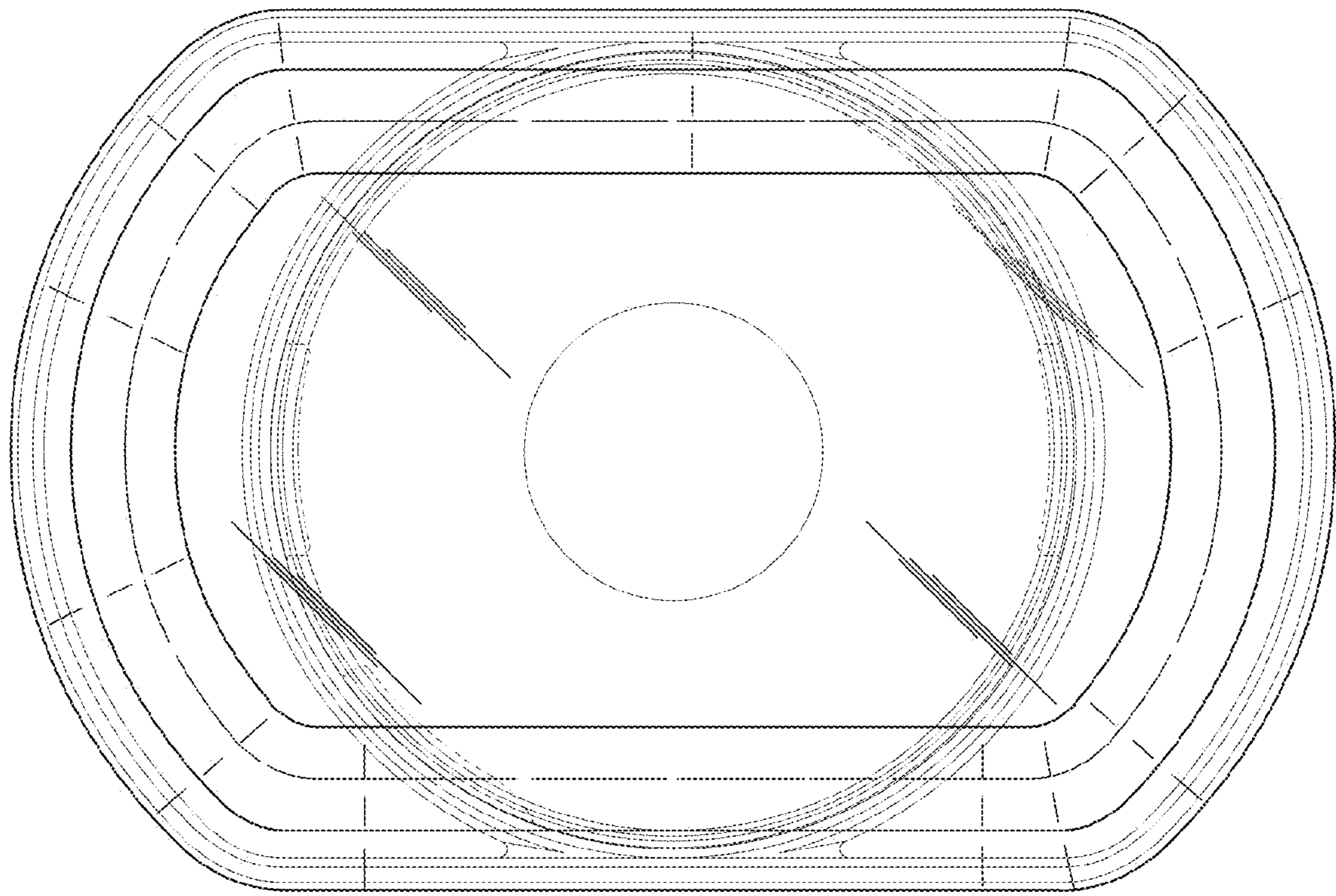


FIG. 23

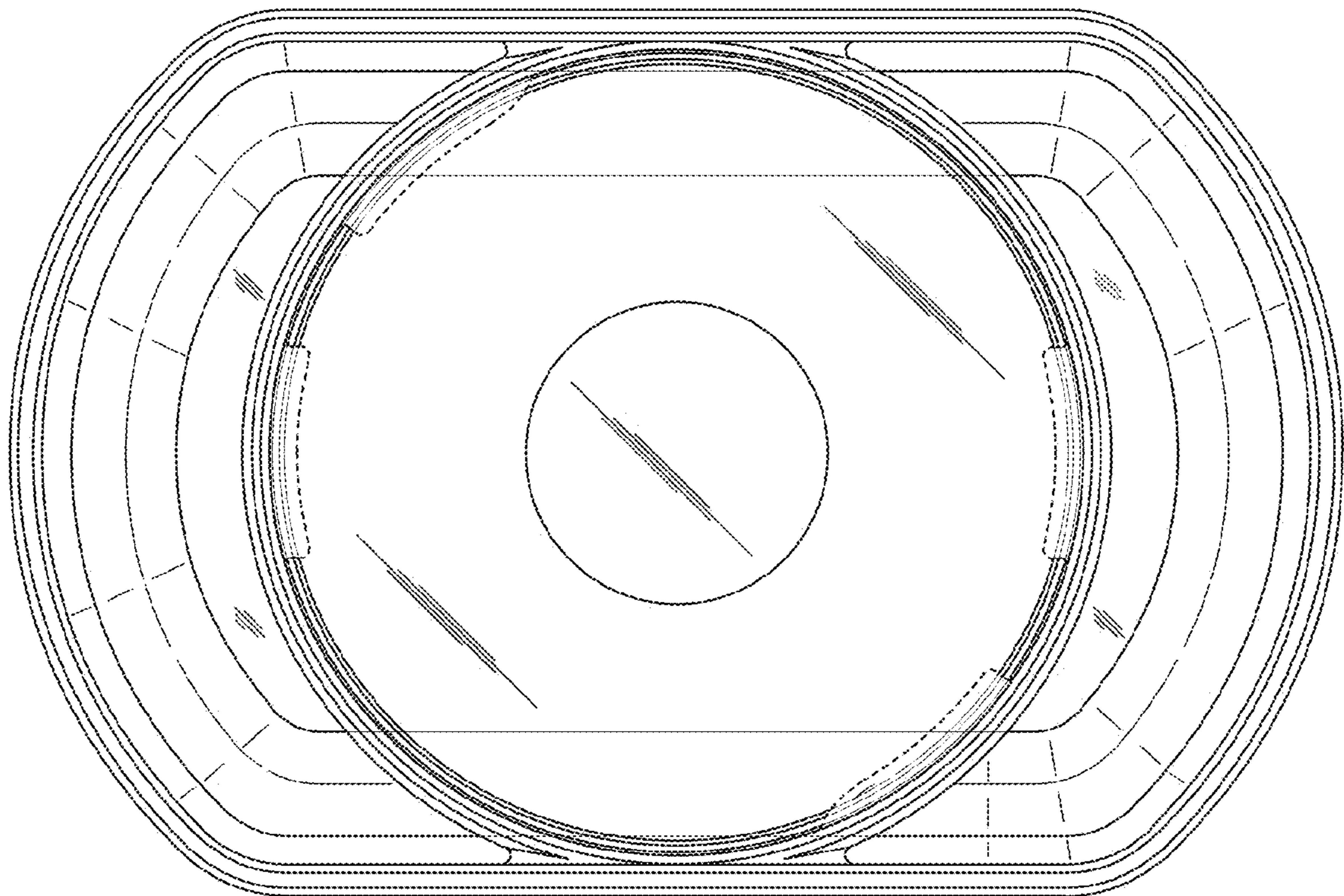


FIG. 24

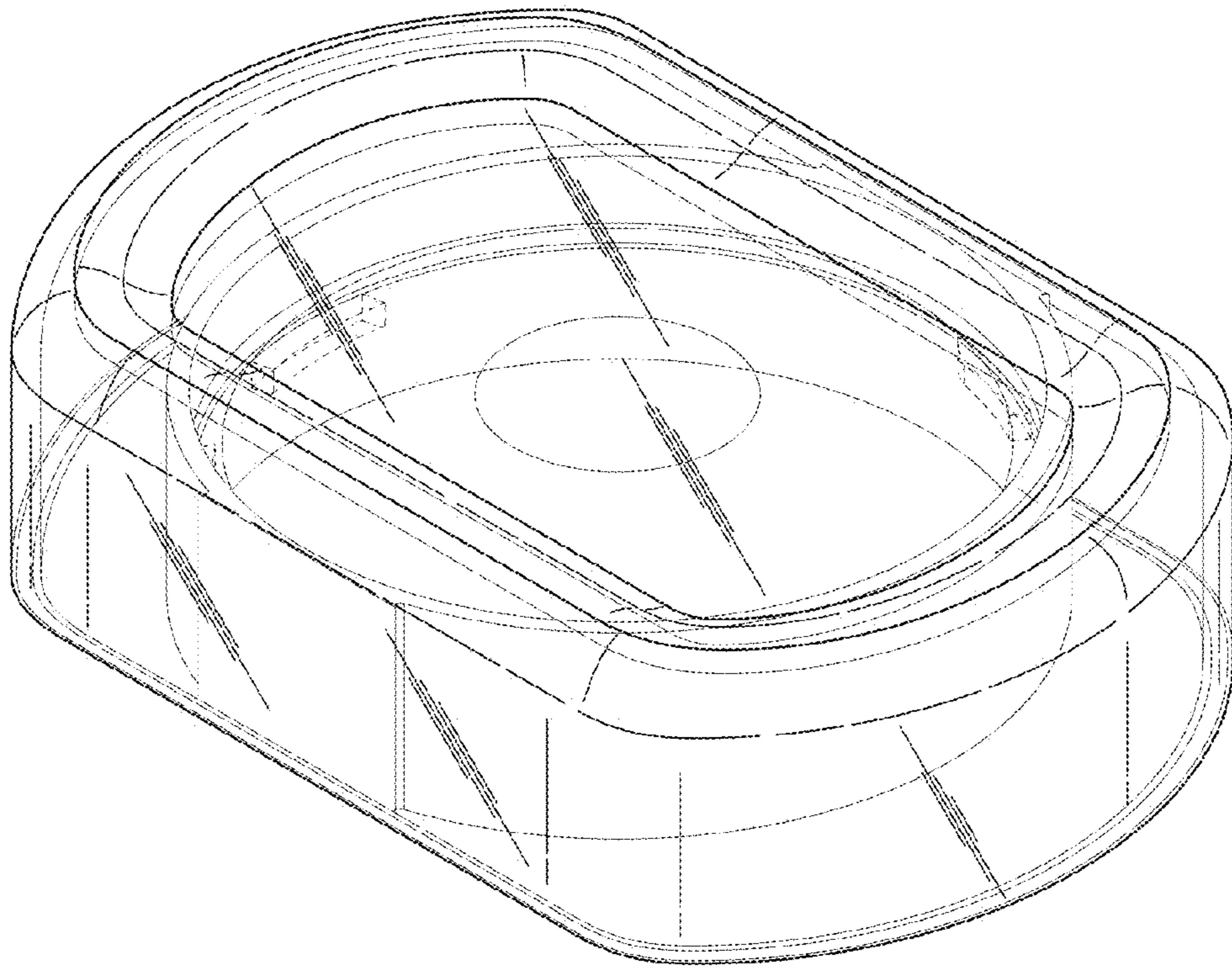


FIG. 25

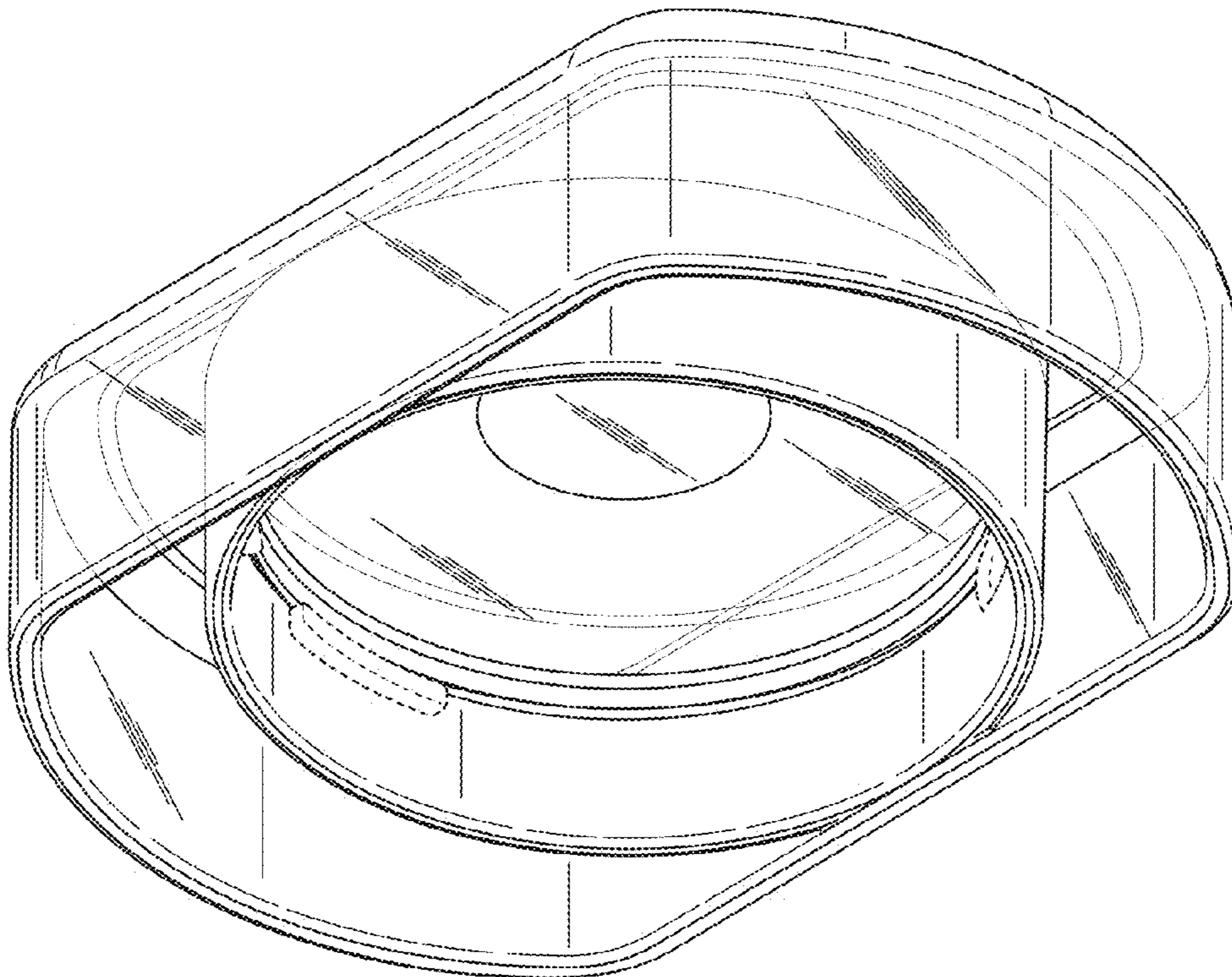


FIG. 26

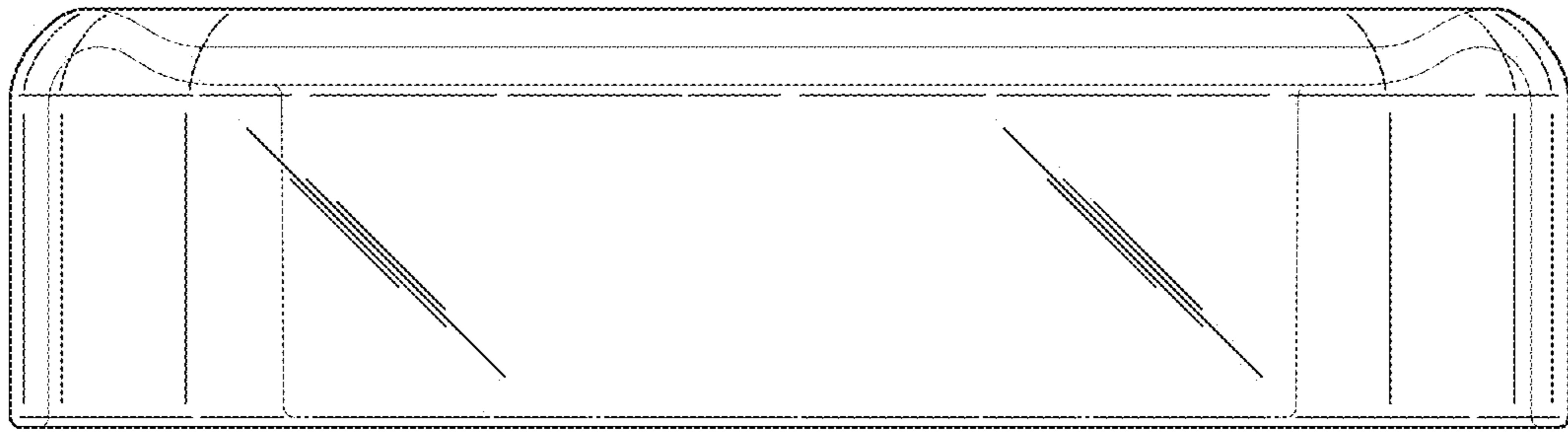


FIG. 27

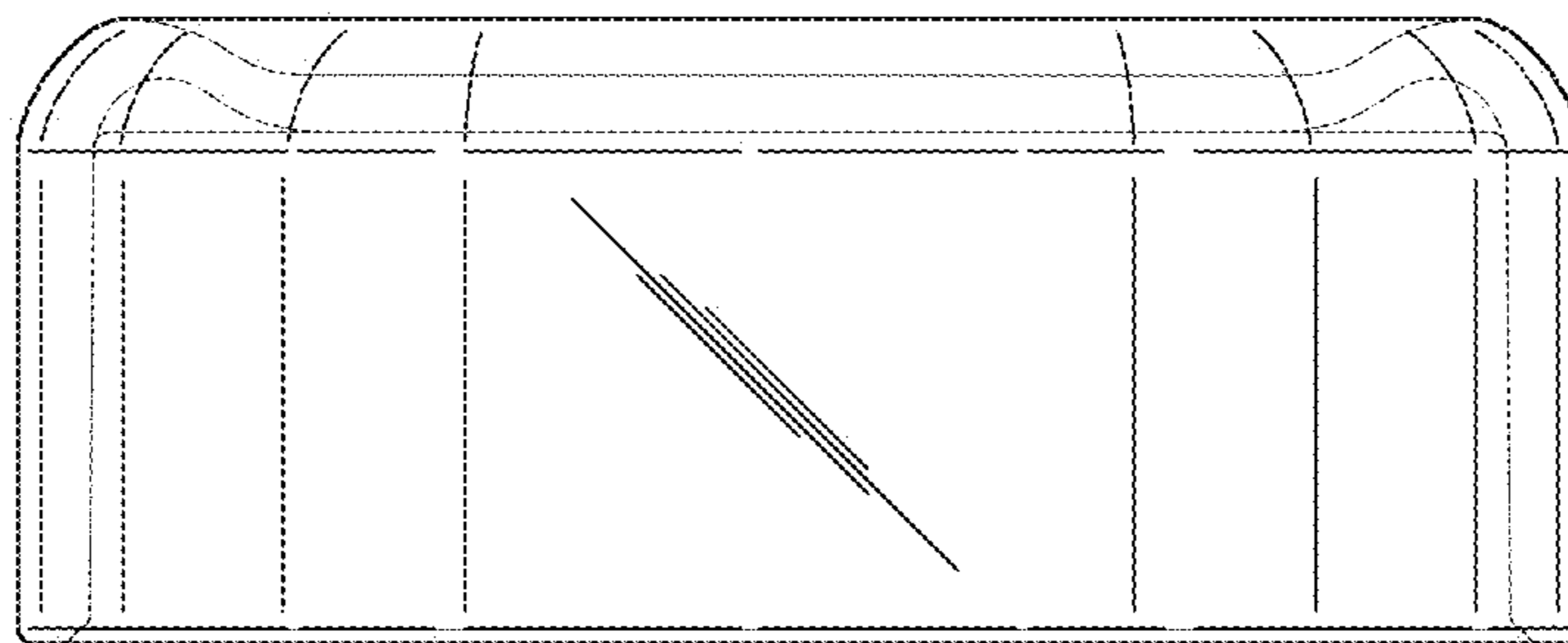


FIG. 28

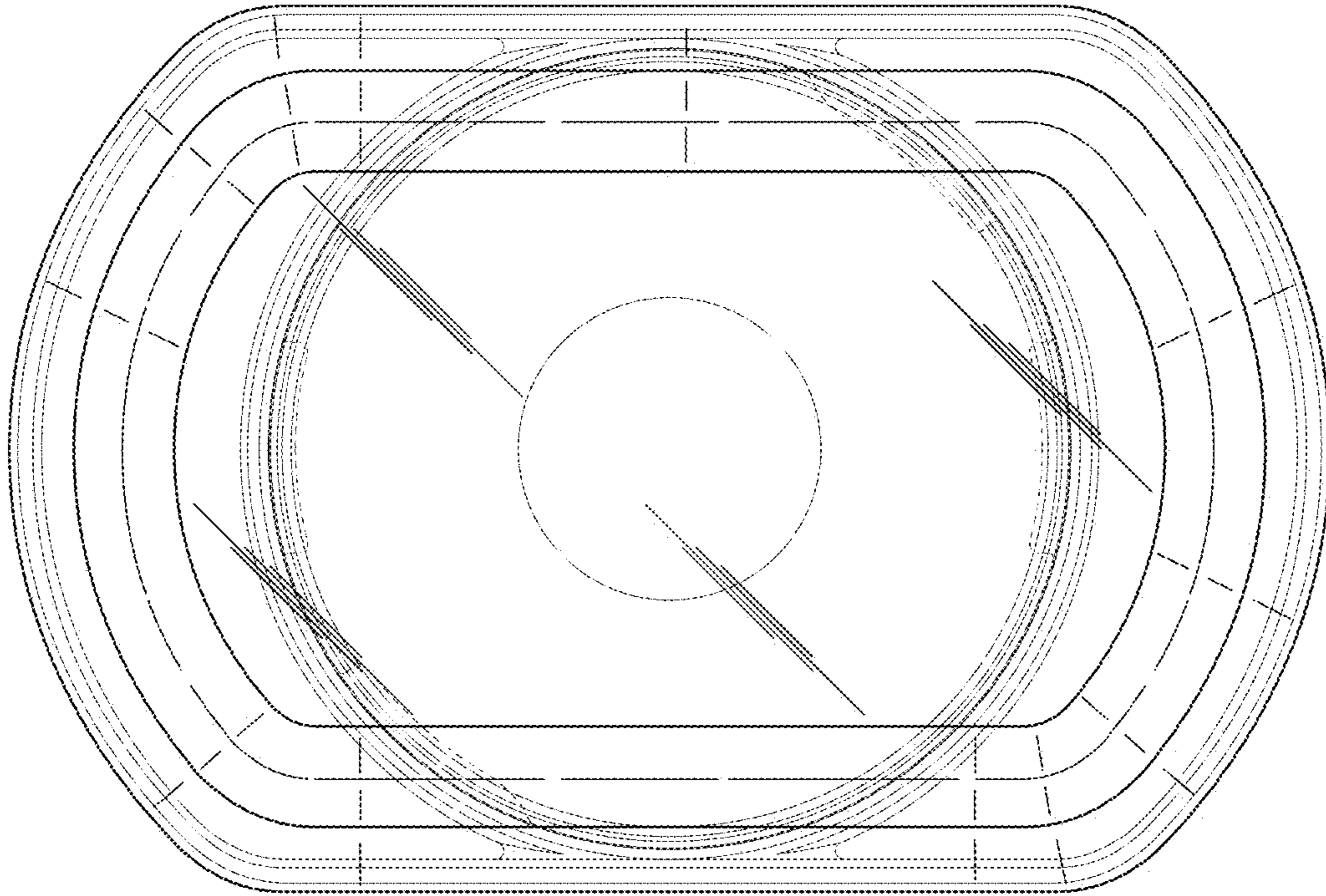


FIG. 29

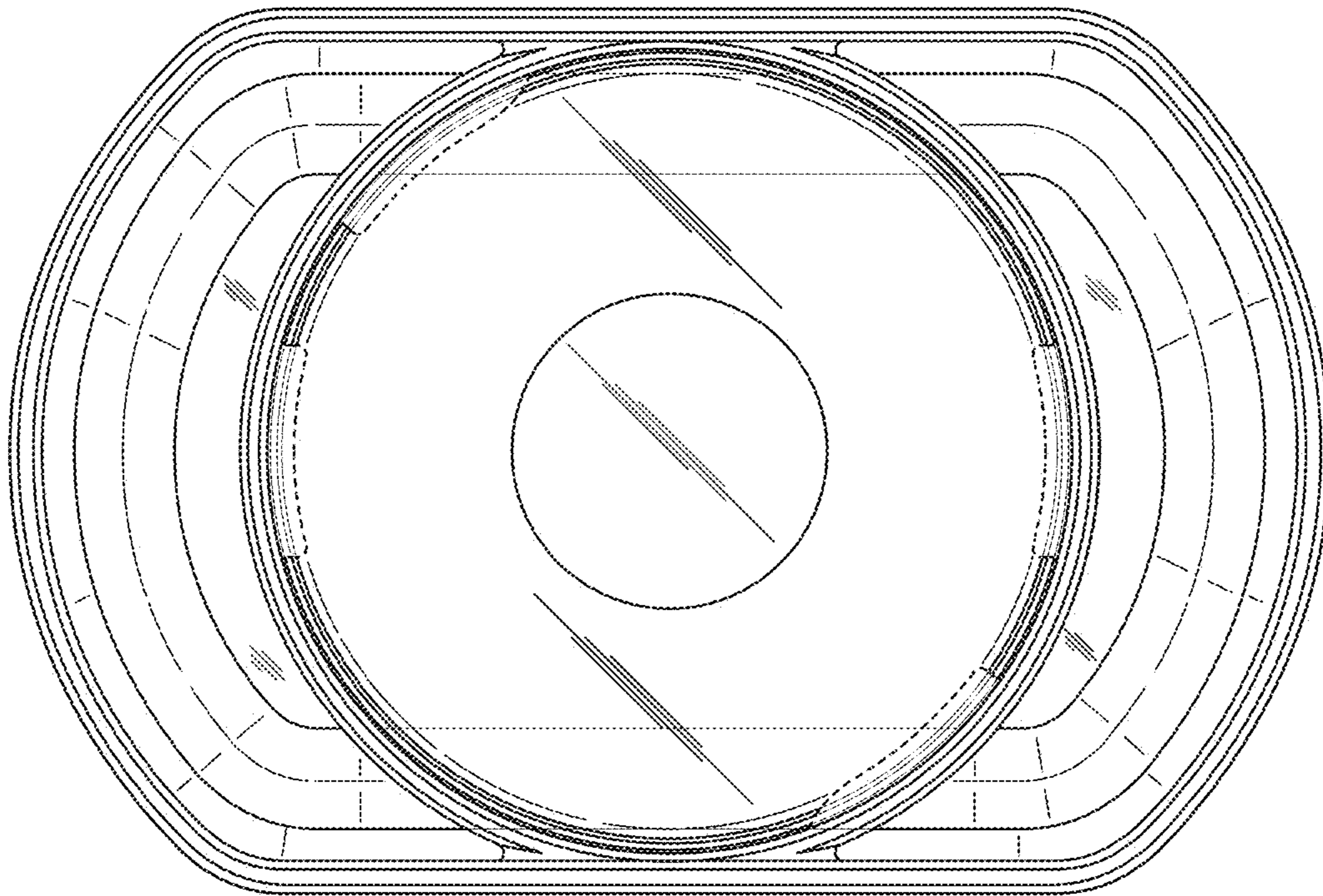


FIG. 30

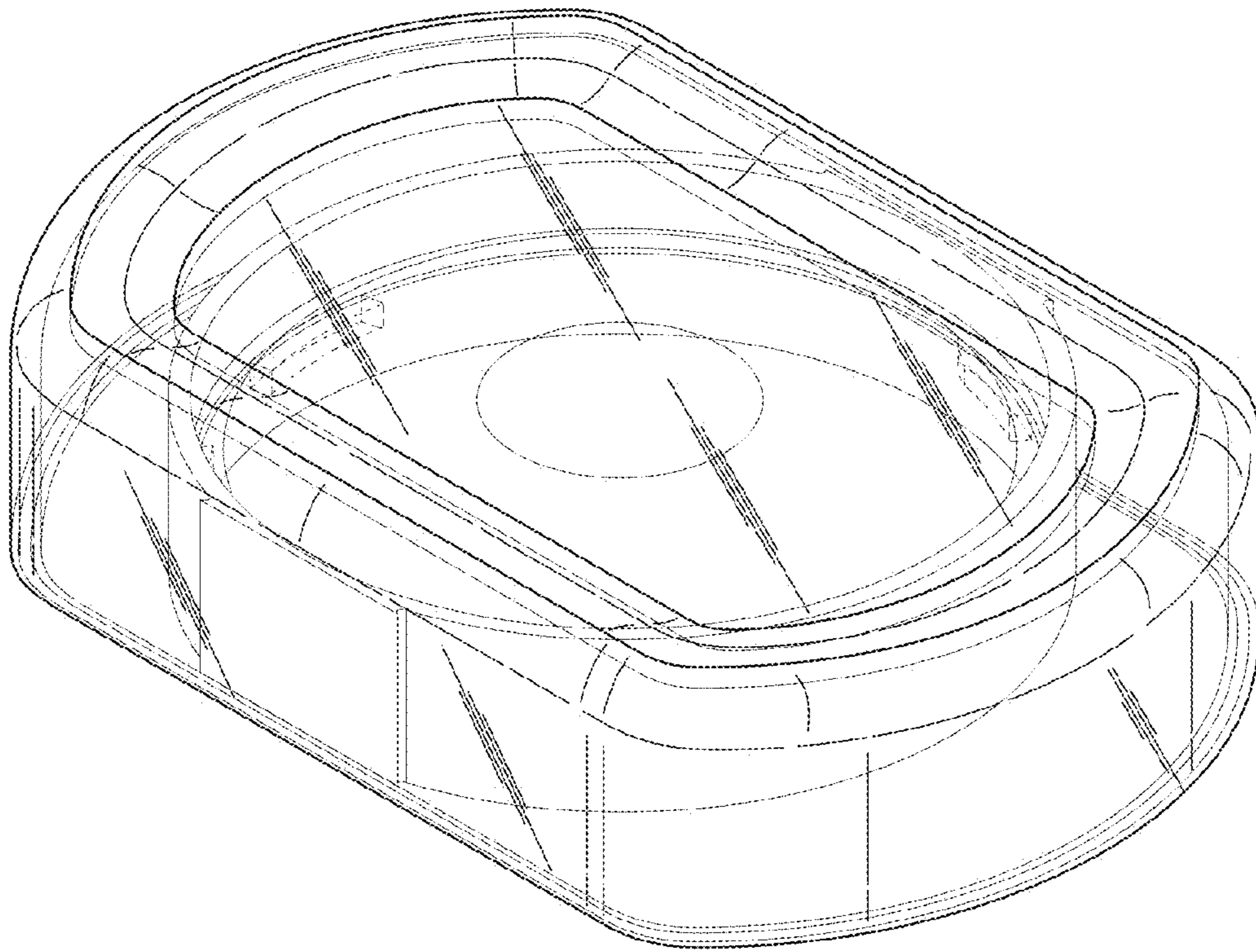


FIG. 31

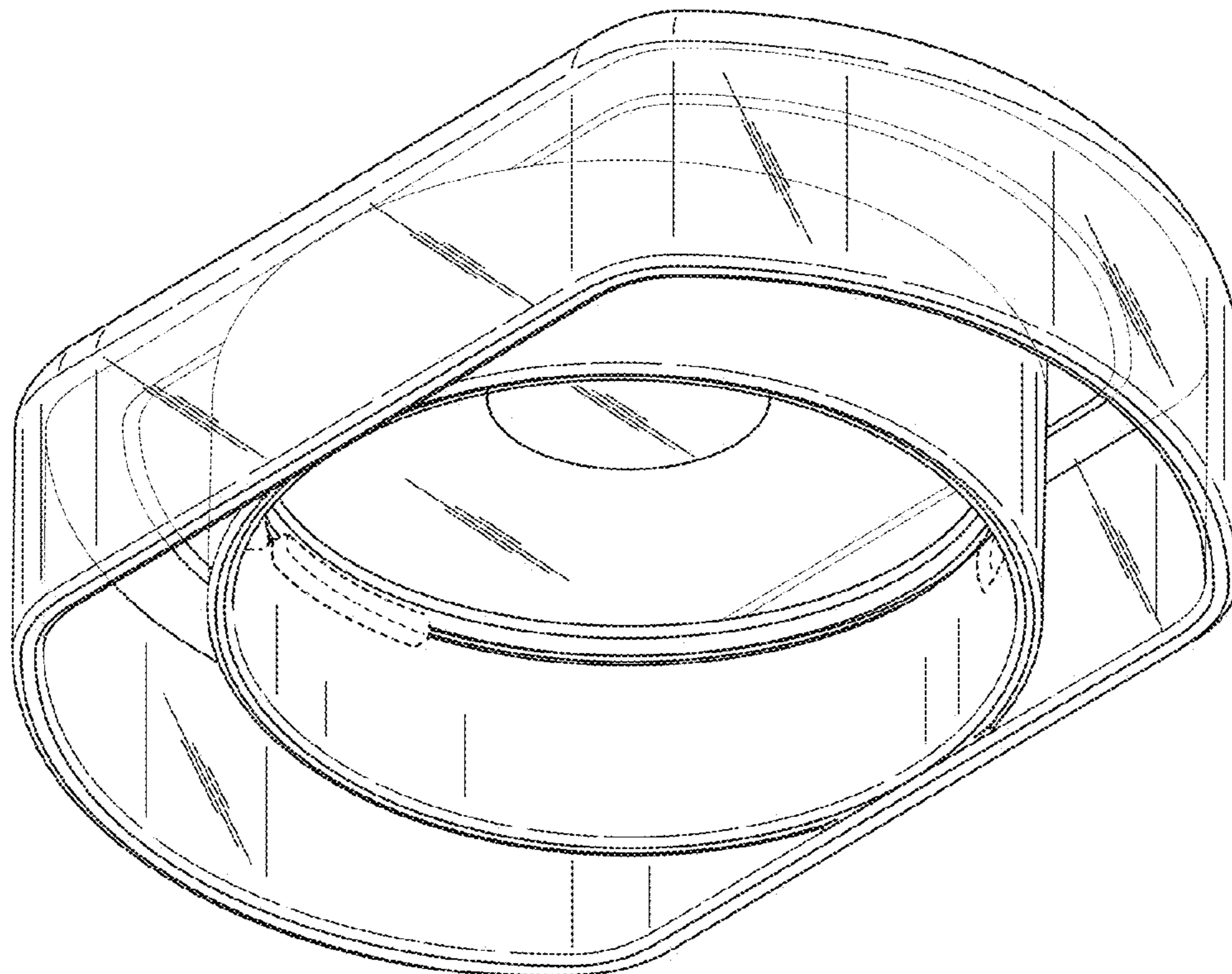


FIG. 32

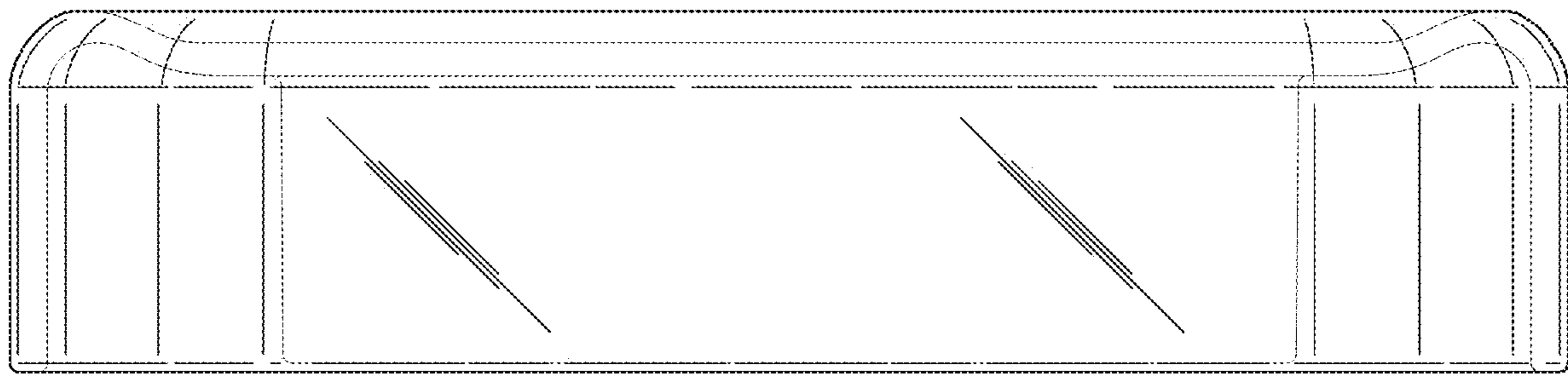


FIG. 33

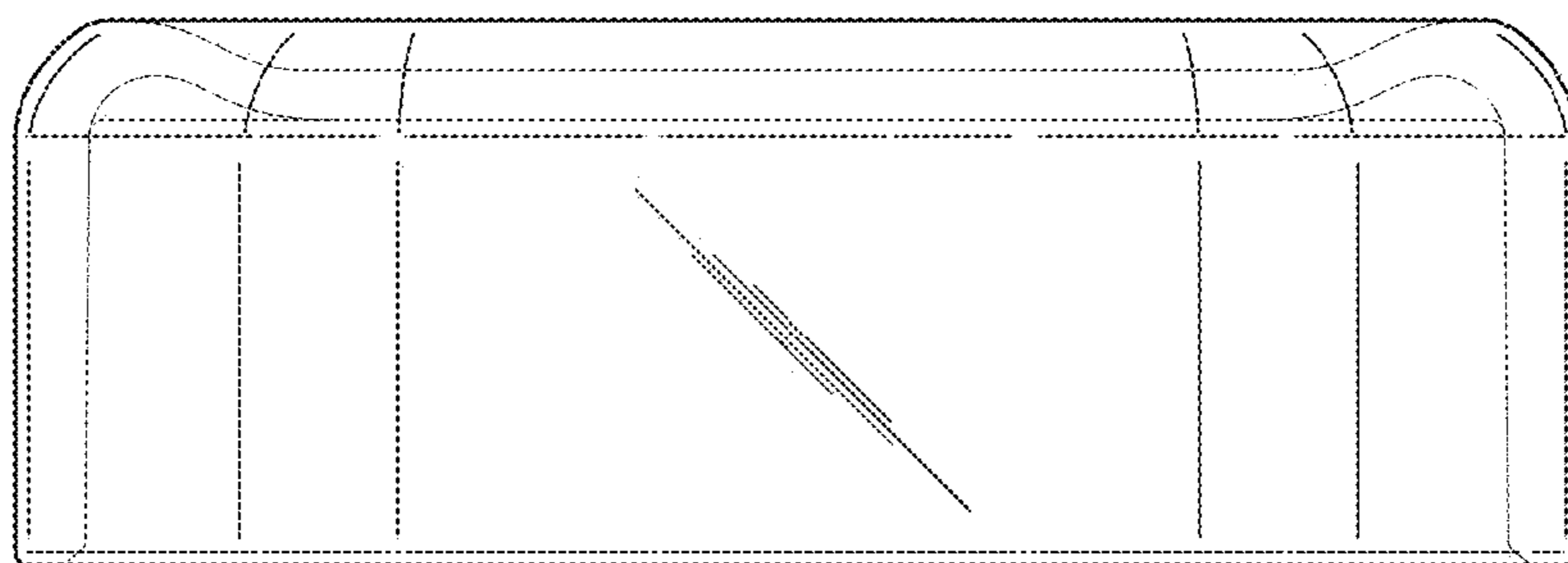


FIG. 34

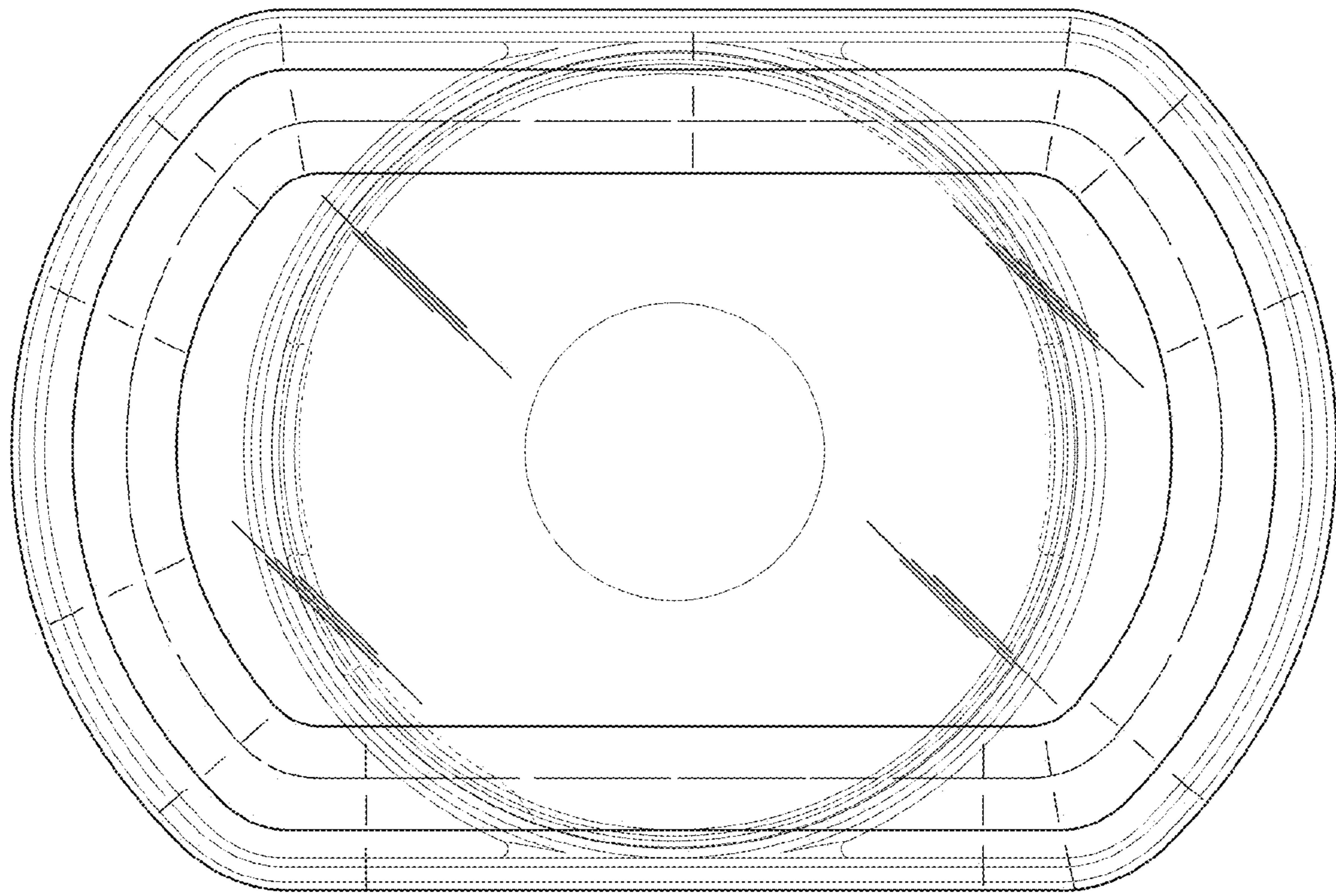


FIG. 35

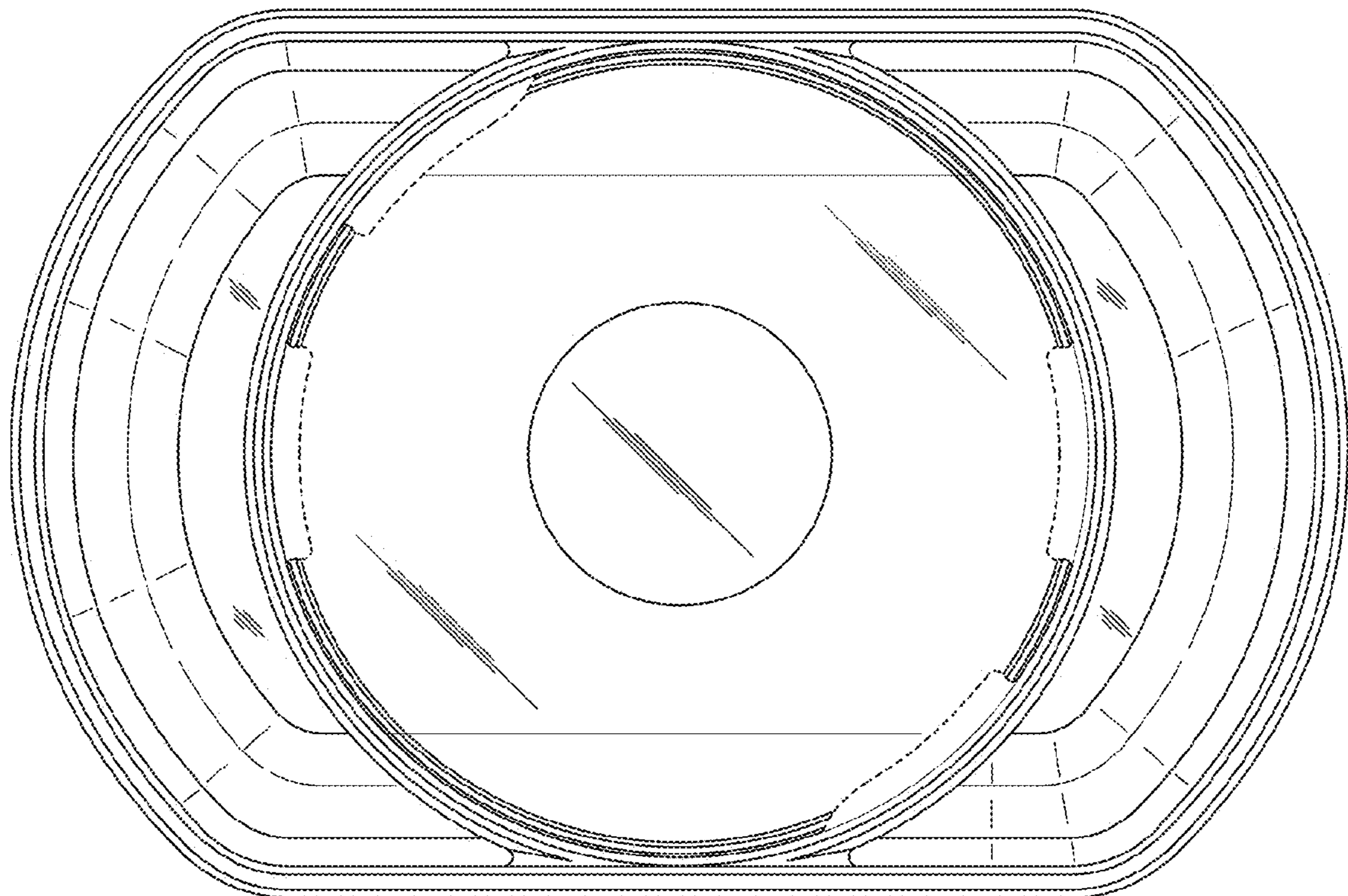


FIG. 36

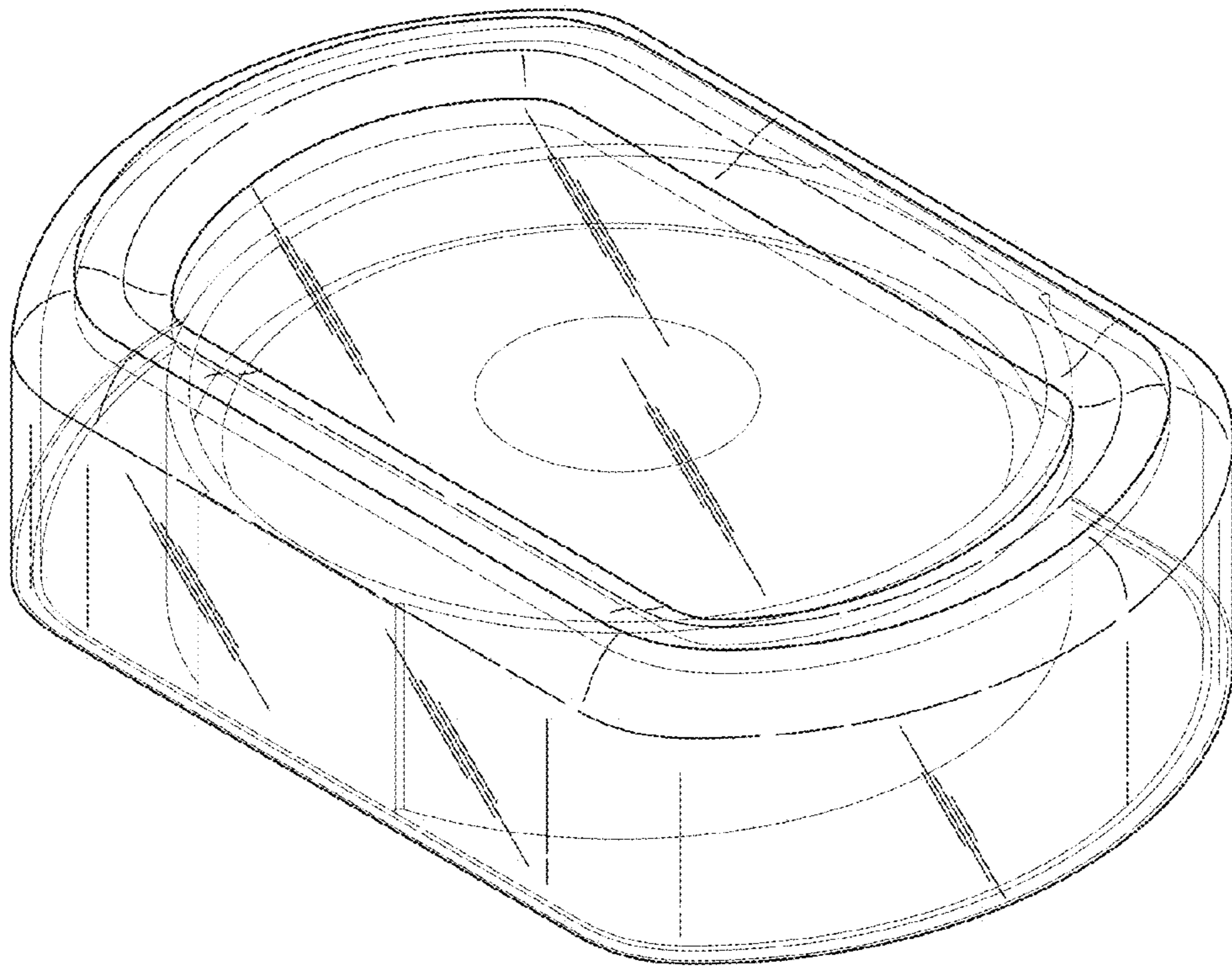


FIG. 37

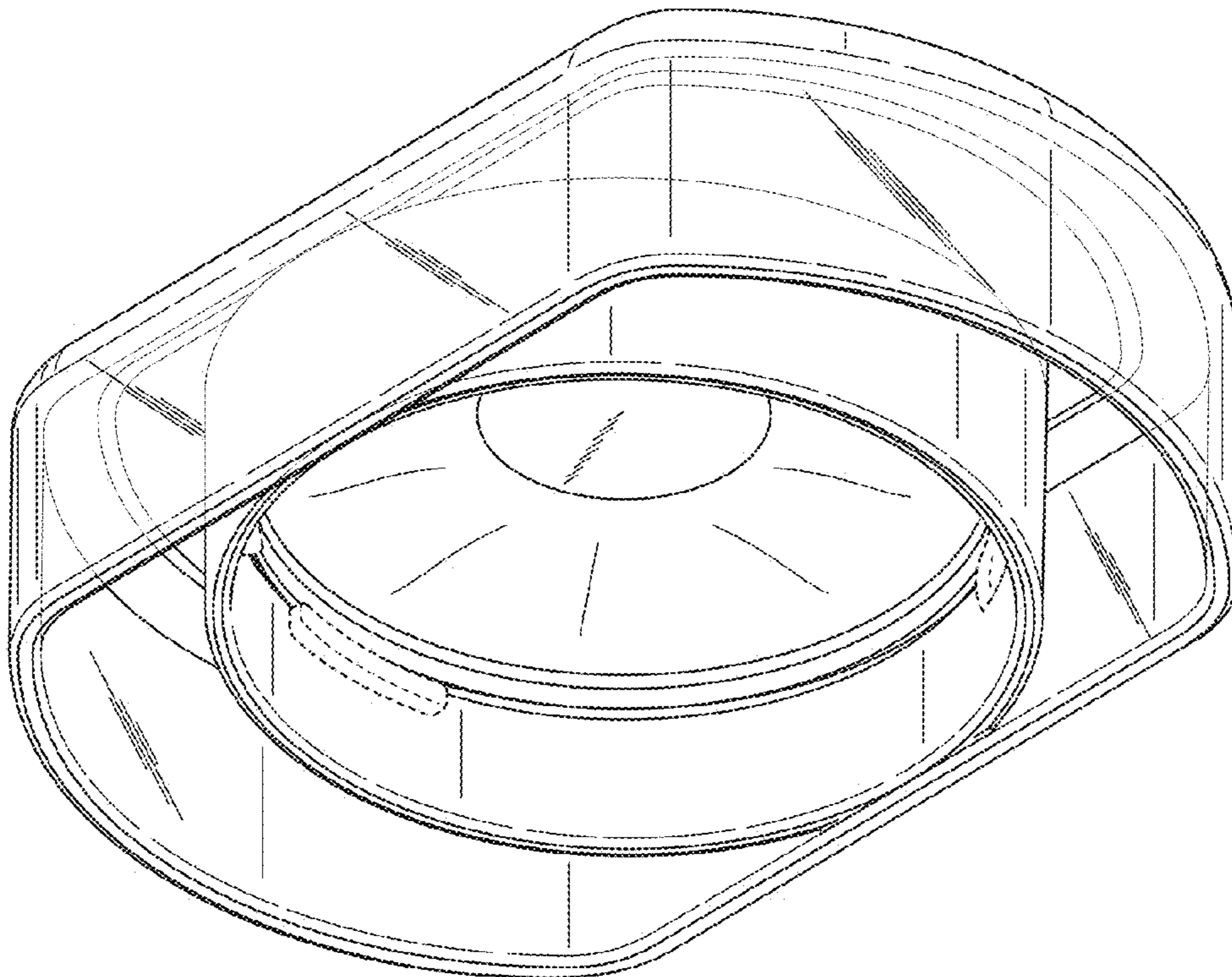


FIG. 38

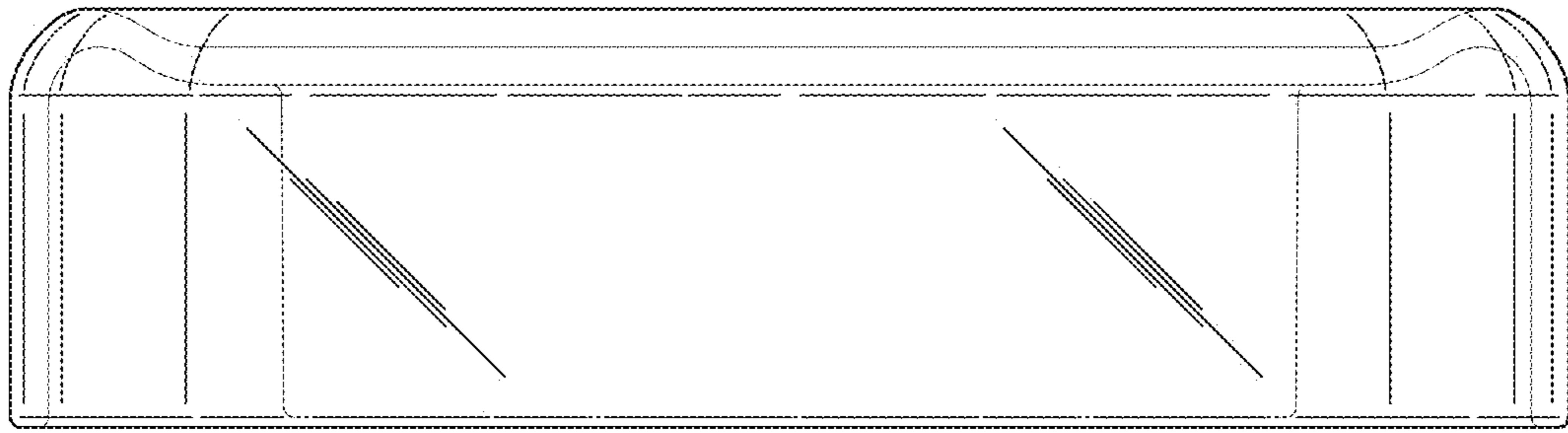


FIG. 39

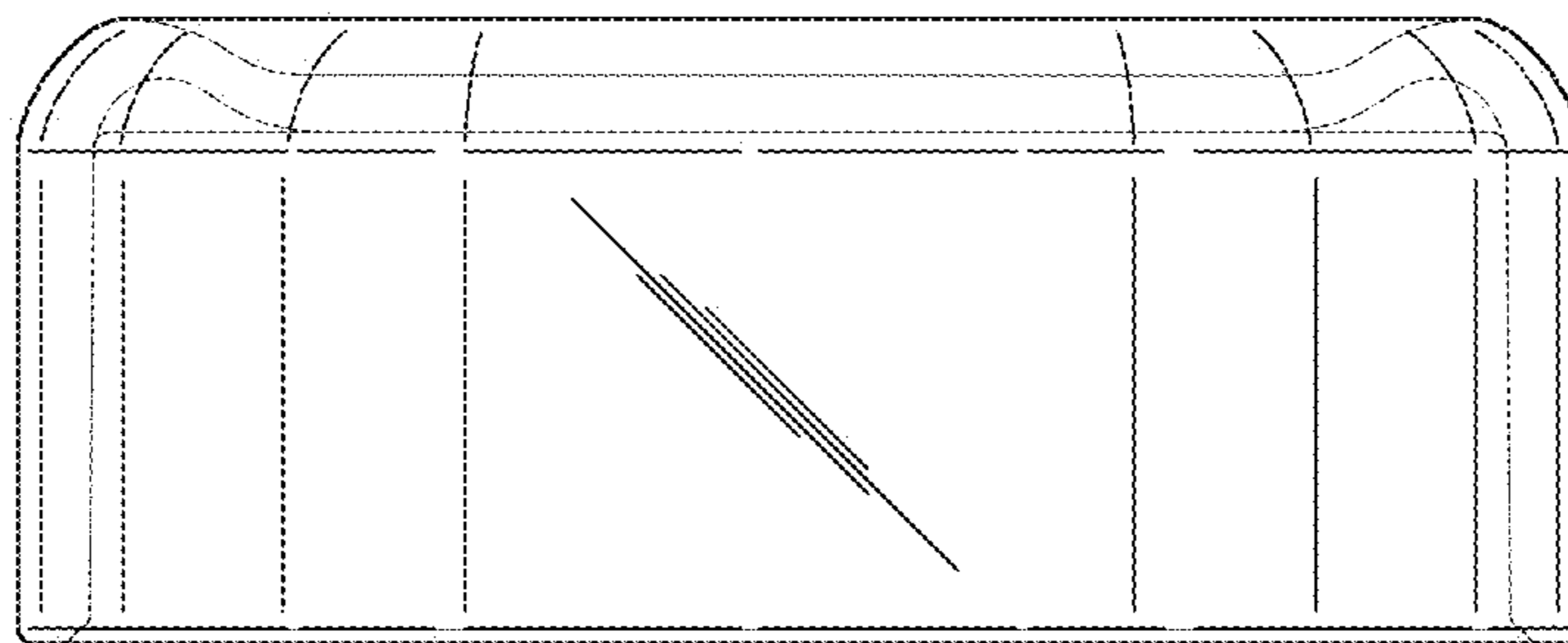


FIG. 40

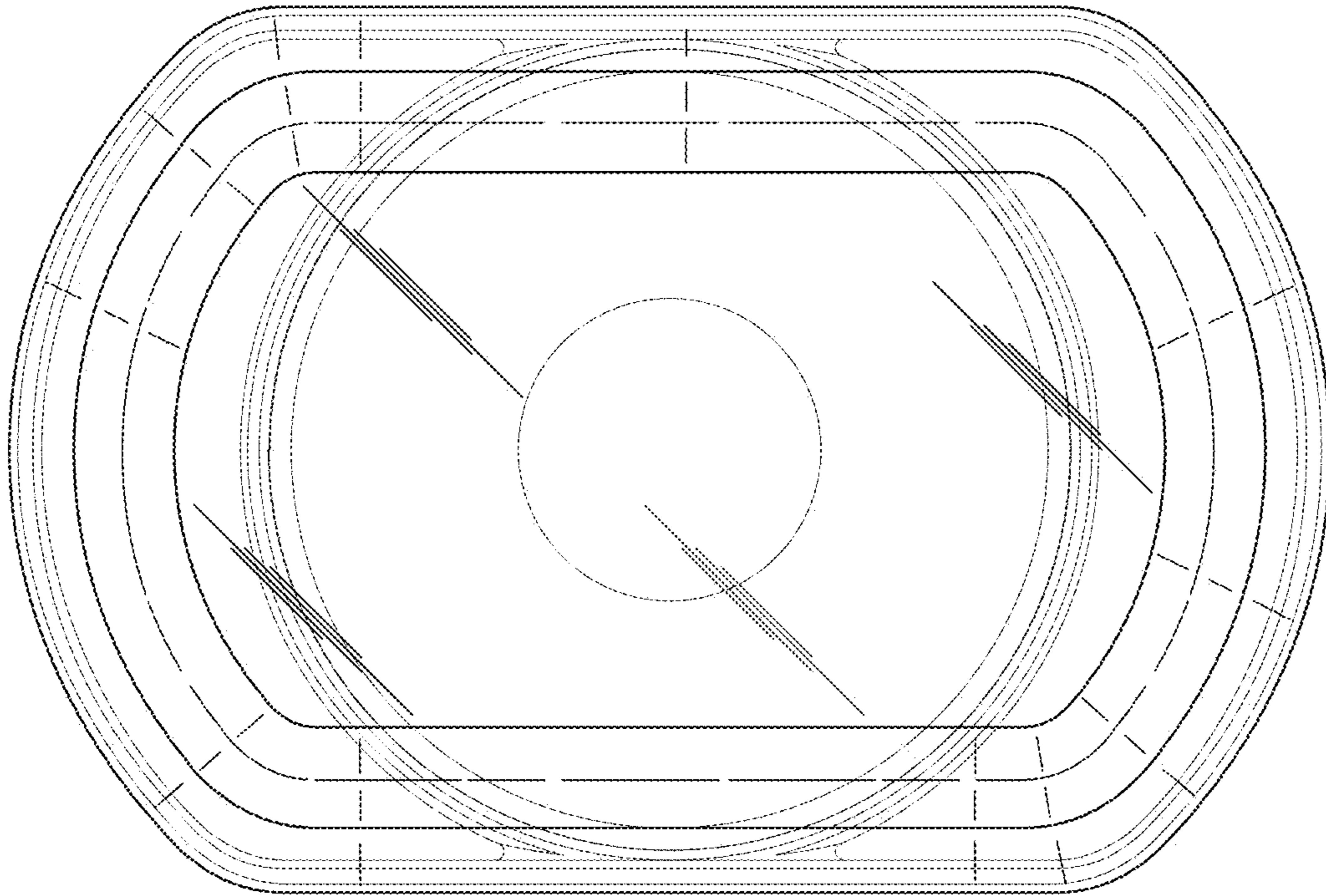


FIG. 41

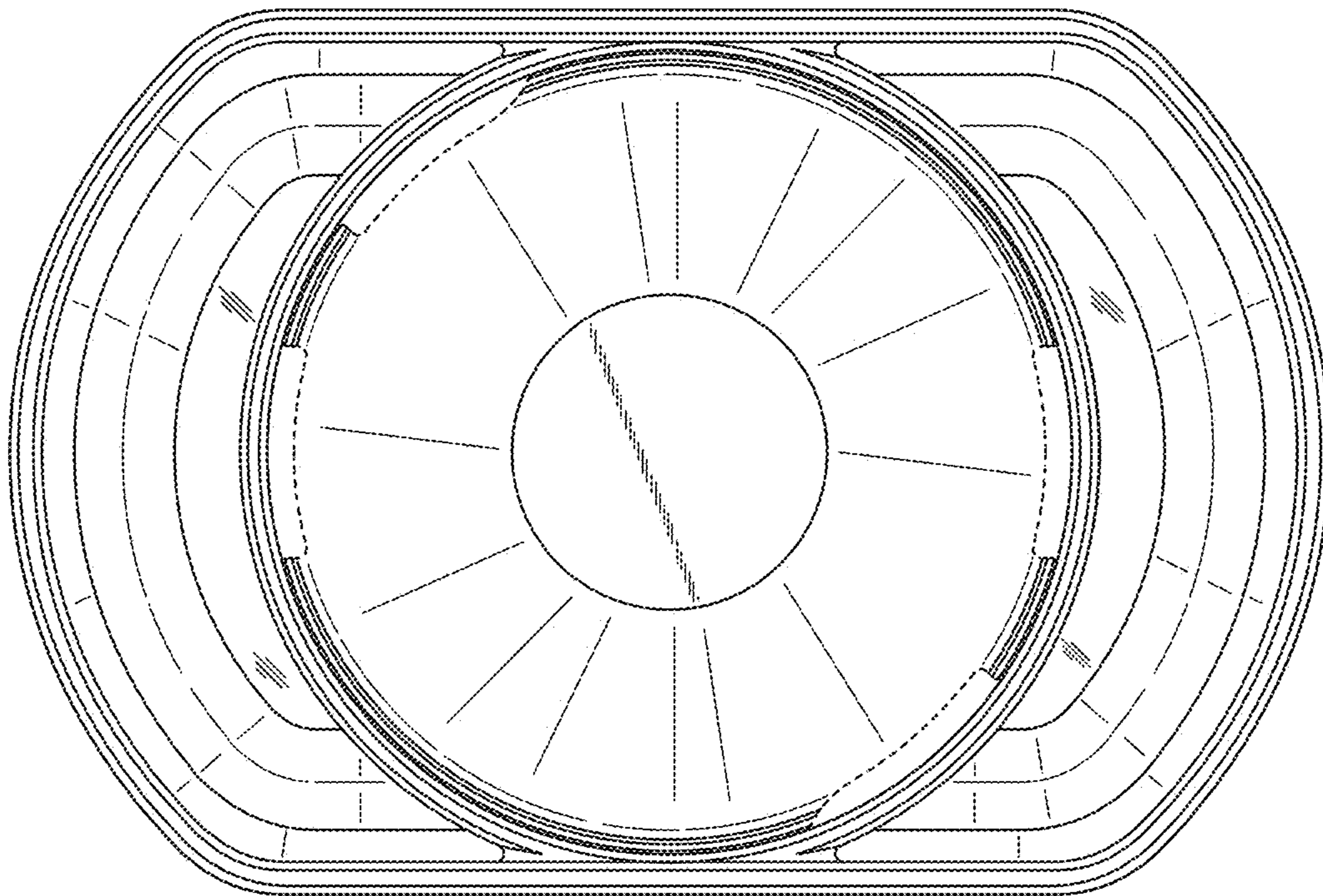


FIG. 42

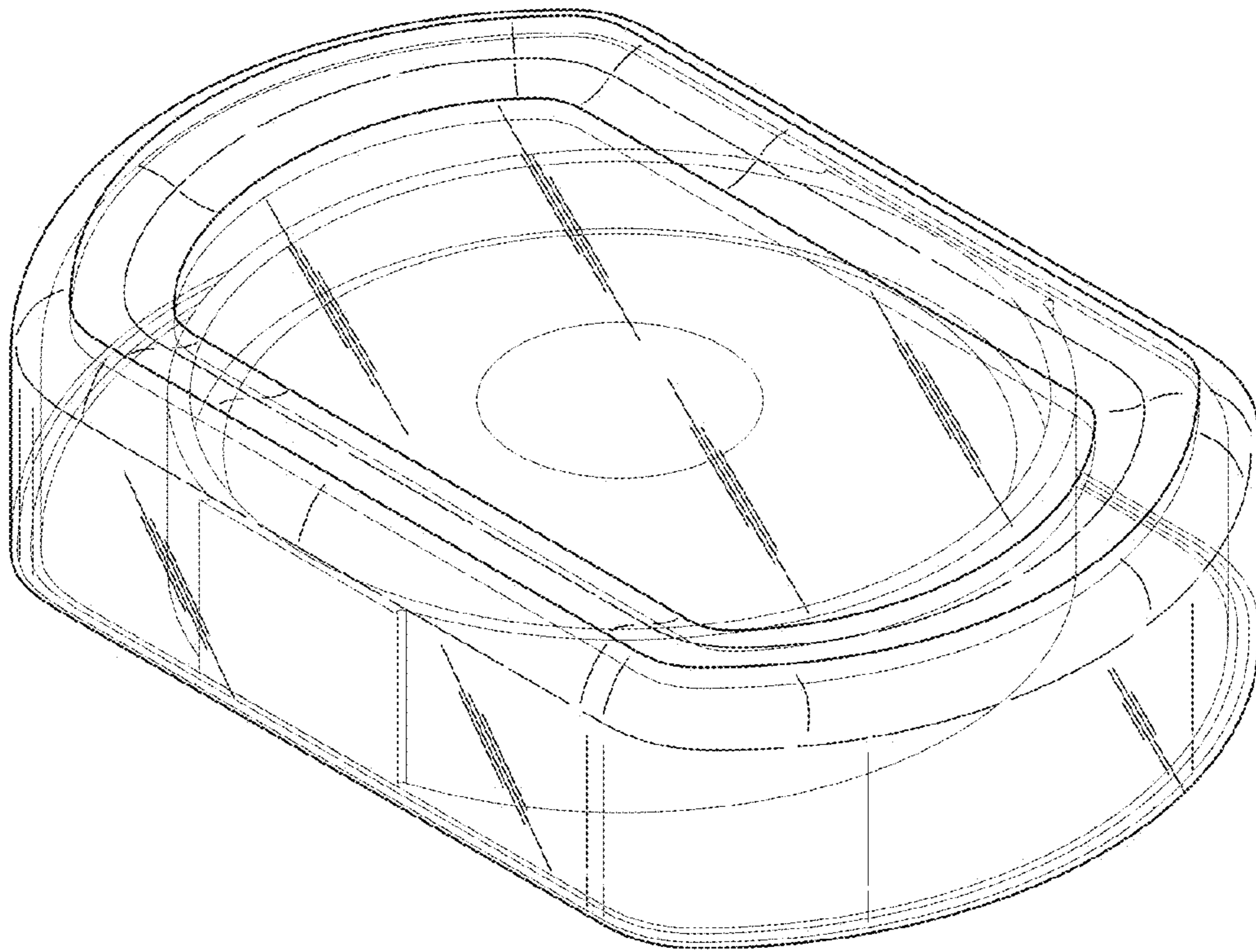


FIG. 43

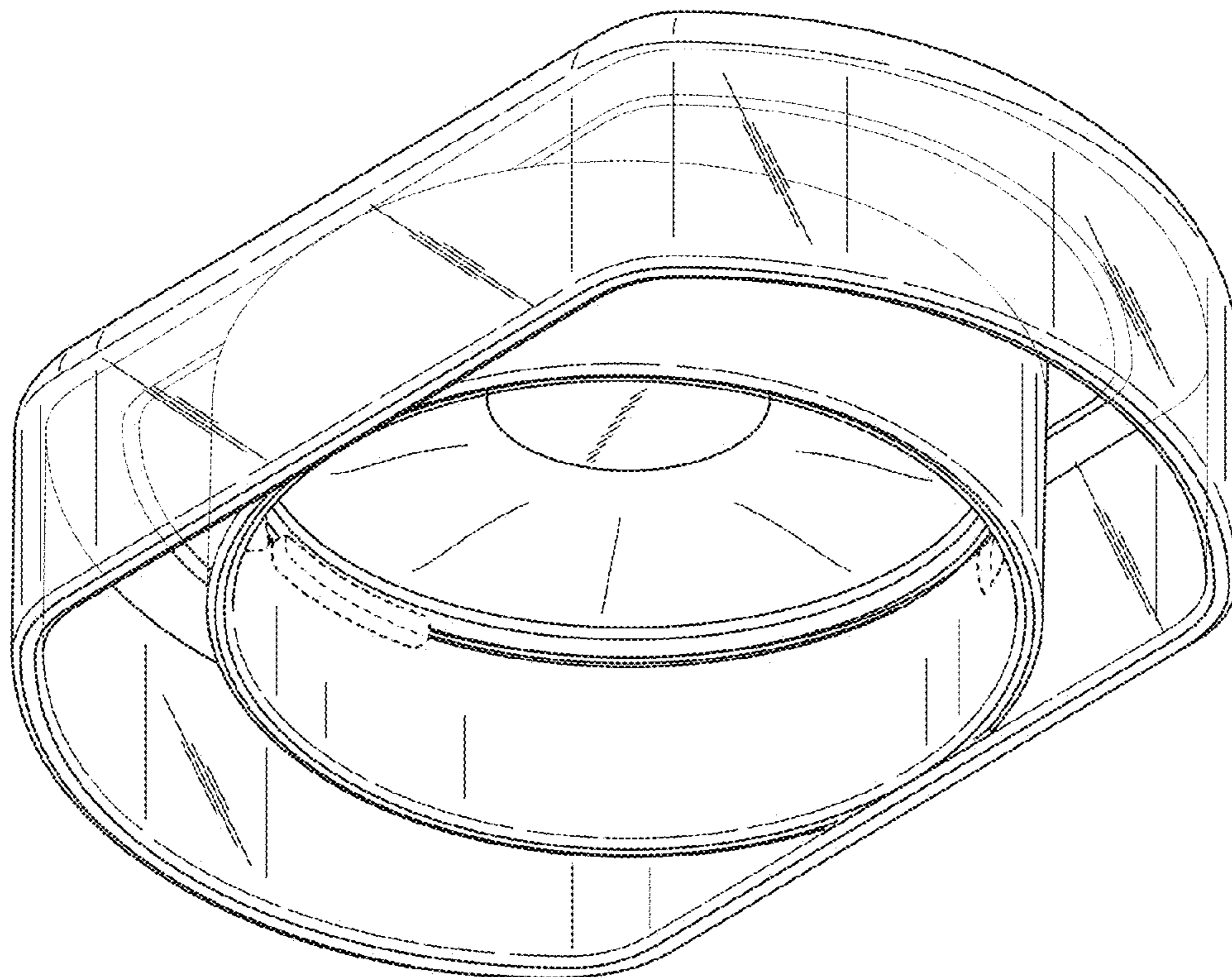


FIG. 44

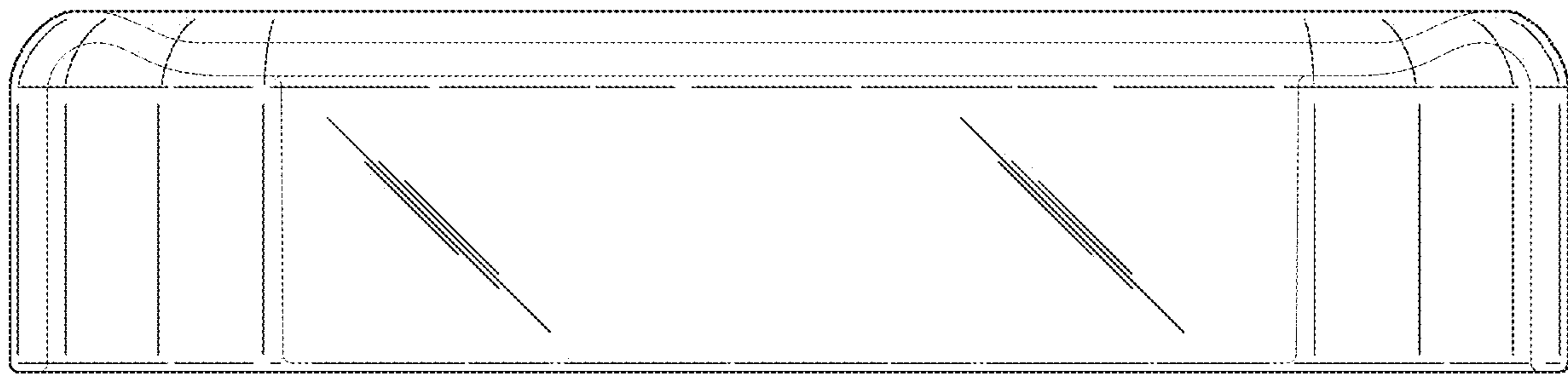


FIG. 45

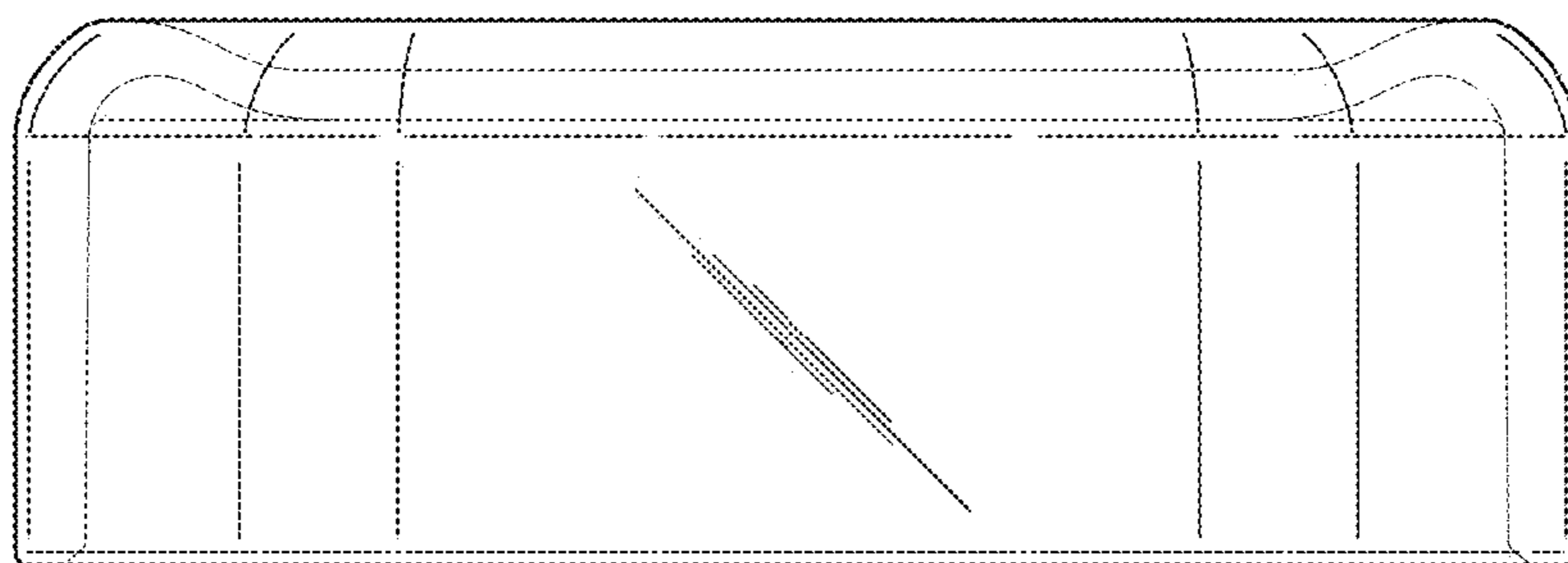


FIG. 46

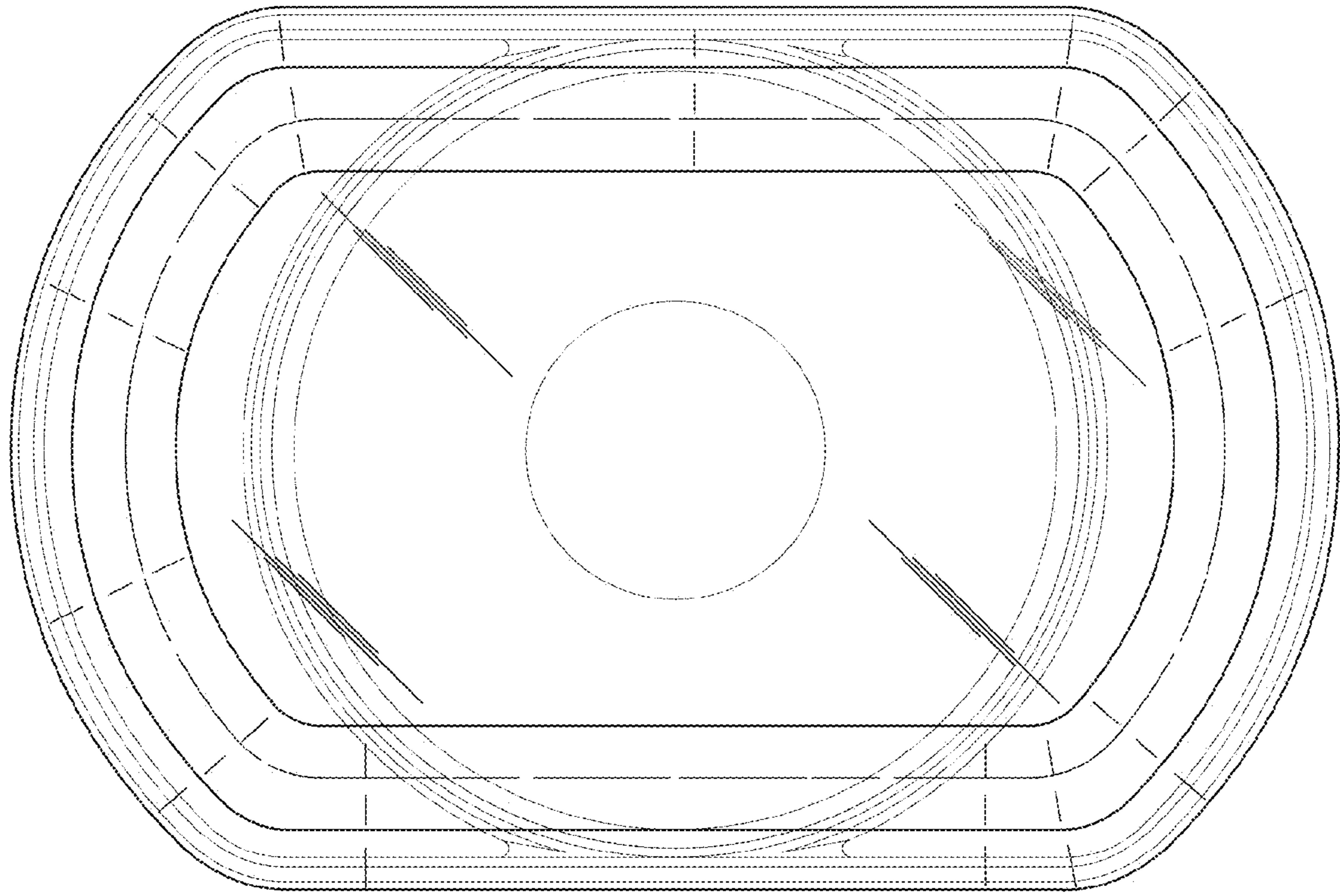


FIG. 47

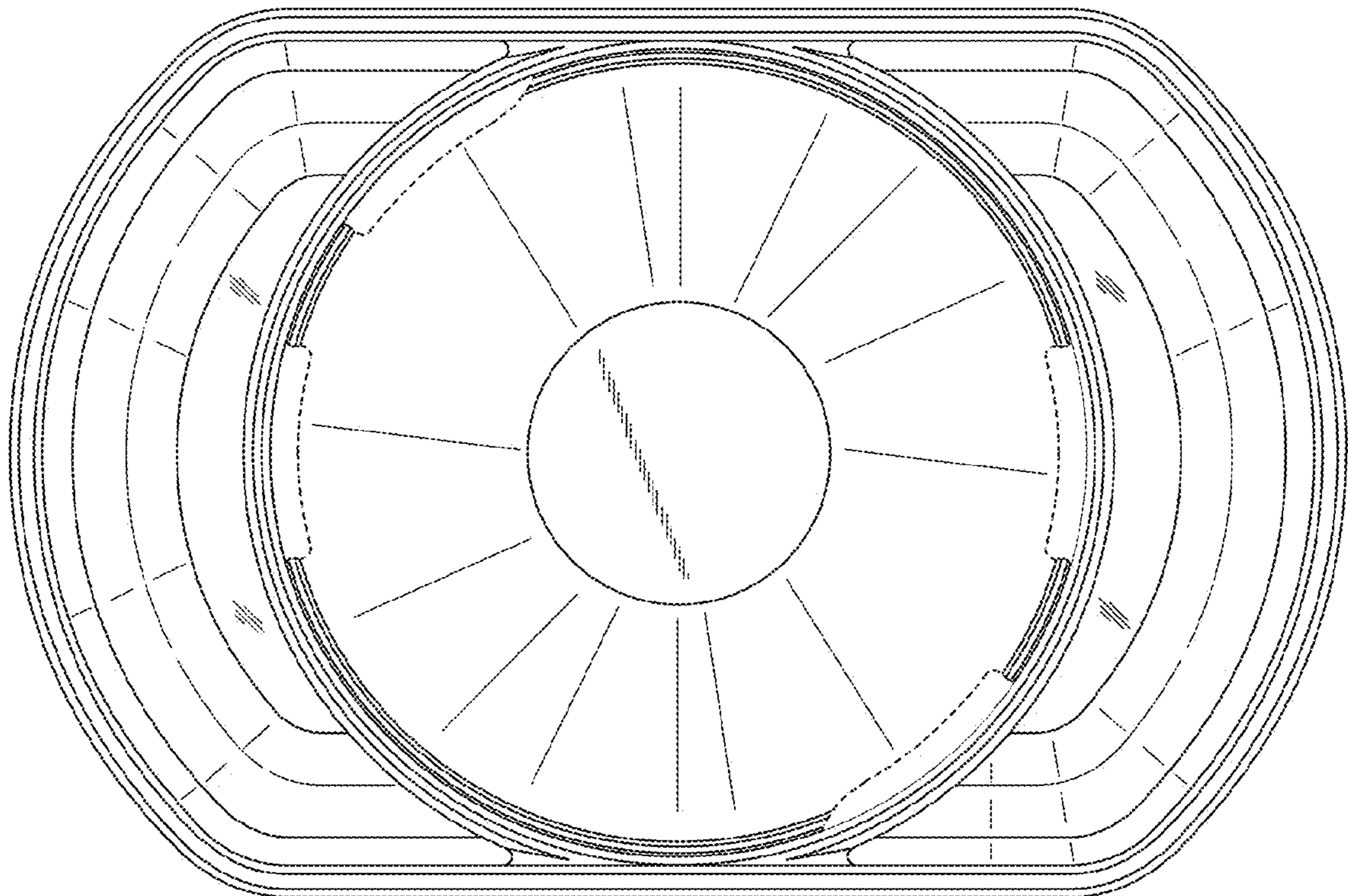


FIG. 48