



US00D878914S

(12) **United States Design Patent**
Zeiler

(10) **Patent No.:** **US D878,914 S**
(45) **Date of Patent:** **** Mar. 24, 2020**

(54) **FOLDABLE CLAMSHELL CARTON**

(71) Applicant: **Huhtamaki, Inc.**, De Soto, KS (US)

(72) Inventor: **George Zeiler**, Olathe, KS (US)

(73) Assignee: **HUHTAMAKI, INC.**, De Soto, KS (US)

(**) Term: **15 Years**

(21) Appl. No.: **29/667,930**

(22) Filed: **Oct. 25, 2018**

(51) **LOC (12) Cl.** **09-07**

(52) **U.S. Cl.**

USPC **D9/434**; D9/423; D9/432

(58) **Field of Classification Search**

USPC D9/414, 434-436, 438-440, 443-457, D9/499, 503-505, 682, 685, 686, 415, D9/418, 432, 433, 501, 721, 737, 744, D9/745, 748, 749, 755, 756, 759, 420, D9/423; D7/387, 391, 392, 392.1, D7/396.2-396.4, 401.1, 507, 509-511, D7/538, 900; D3/202, 203.2, 318; D28/91.1

CPC .. A61J 1/00; A61J 1/1412; B65D 1/00; B65D 1/02; B65D 1/10; B65D 1/46; B65D 5/46; B65D 41/00; B65D 41/38; B65D 41/56; B65D 41/62; B65D 47/00; B65D 47/06; B65D 47/08; B65D 2251/00; B65D 2543/00046; B65D 2543/00092; B65D 2543/00296; B65D 2585/56; B65D 2585/545

See application file for complete search history.

(56) **References Cited**

U.S. PATENT DOCUMENTS

4,232,816 A 11/1980 Johnson et al.
4,360,147 A 11/1982 Brauner
4,431,128 A 2/1984 Dirico
4,472,896 A 9/1984 Brauner et al.

(Continued)

OTHER PUBLICATIONS

Photos of Hamburger Clamshell and Hot Dog Clamshells, <http://www2.us.huhtamaki.com>, 3 pages, Huhtamaki Food Group 2013.

Primary Examiner — Michael A. Pratt

Assistant Examiner — Wendy L Arminio

(74) *Attorney, Agent, or Firm* — Husch Blackwell LLP

(57) **CLAIM**

The ornamental design for a foldable clamshell carton, as shown and described.

DESCRIPTION

FIG. 1 is a perspective view of the foldable clamshell carton showing the new design, illustrating the foldable clamshell carton in a partially open configuration;

FIG. 2 is a right side elevation view thereof (the left side elevation view is a mirror image of FIG. 2);

FIG. 3 is a top plan view thereof;

FIG. 4 is a bottom plan view thereof;

FIG. 5 is a front elevation view thereof;

FIG. 6 is a rear elevation view thereof;

FIG. 7 is a perspective view of the foldable clamshell carton illustrating the foldable clamshell carton in a fully closed configuration;

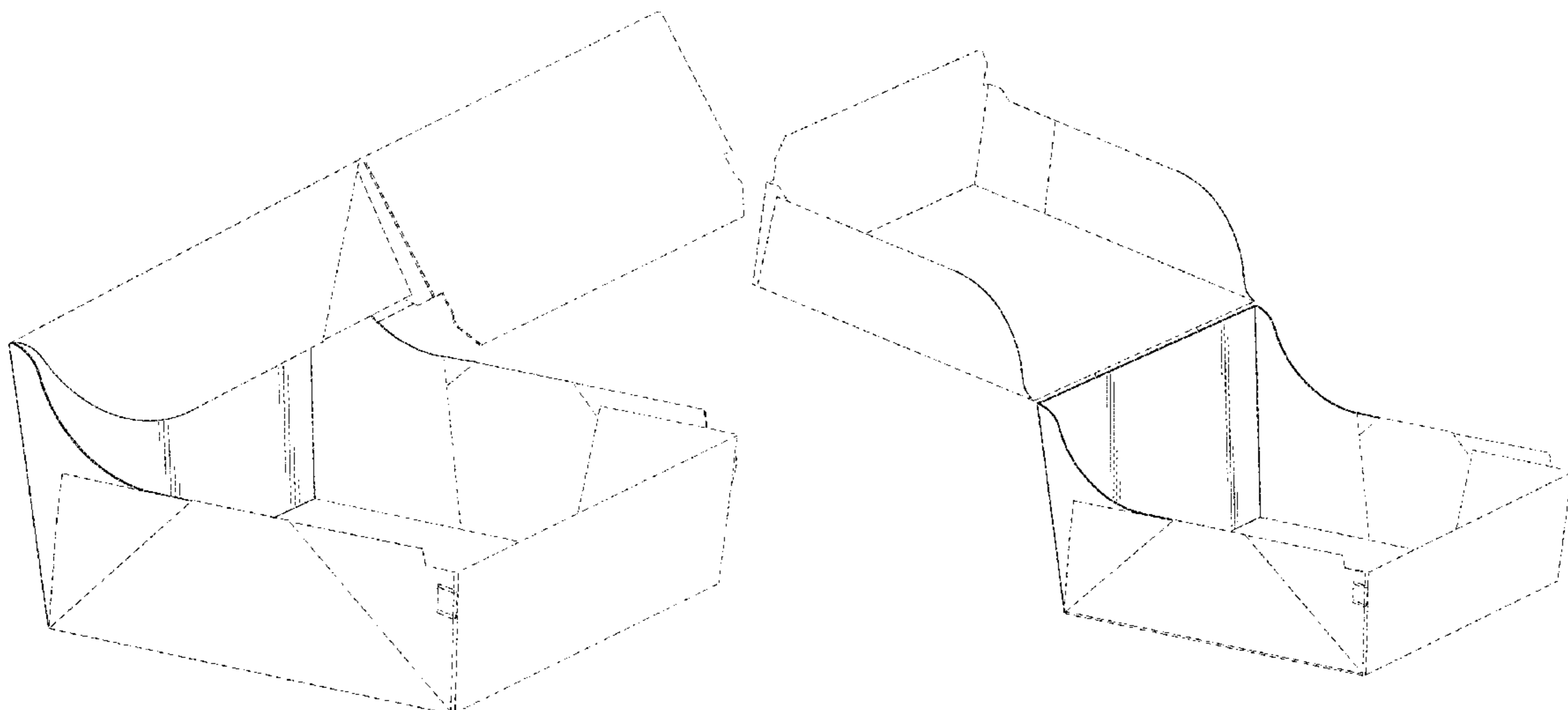
FIG. 8 is a perspective view of the foldable clamshell carton illustrating the foldable clamshell carton in an open configuration;

FIG. 9 is a bottom plan view of the foldable clamshell carton illustrating the foldable clamshell carton in a folded, non-use configuration; and,

FIG. 10 is a top plan view of the foldable clamshell carton illustrating the foldable clamshell carton in a folded, non-use configuration.

The features shown in broken lines depict environmental subject matter only and form no part of the claimed design.

1 Claim, 10 Drawing Sheets



(56)

References Cited

U.S. PATENT DOCUMENTS

D277,167 S *	1/1985	Dart	D9/414
4,792,085 A *	12/1988	Waring, III B65D 5/6626	229/114
4,844,330 A	7/1989	Roosa et al.		
4,877,178 A	10/1989	Eisman		
4,955,527 A	9/1990	Blackman et al.		
5,039,003 A	8/1991	Gordon et al.		
5,058,803 A	10/1991	Gulliver		
D322,571 S	12/1991	Groves		
D322,757 S	12/1991	Payne		
5,148,972 A	9/1992	Clayton		
5,205,476 A	4/1993	Sorenson		
5,221,040 A	6/1993	Sorenson		
D340,411 S	10/1993	Ong		
D346,553 S	5/1994	Akerlind		
5,332,147 A	7/1994	Sorenson		
5,338,758 A	8/1994	Chu et al.		
D352,897 S	11/1994	Jackson		
5,388,758 A	2/1995	Scovell		
5,431,333 A	7/1995	Lorenz		
D384,583 S	10/1997	Green et al.		
D400,438 S *	11/1998	Correll	D9/433
5,860,530 A	1/1999	Simmons et al.		
D407,970 S *	4/1999	Planchard	D9/703
6,041,997 A	3/2000	Jensen		
6,065,669 A	5/2000	Correll		
D427,526 S *	7/2000	Correll	D9/433
6,126,065 A	10/2000	Wee		
D446,994 S *	8/2001	Zank	D9/434
D519,830 S	5/2006	Yocum		
D531,898 S *	11/2006	Correll	D9/435
D538,648 S *	3/2007	Correll	D9/435
D622,589 S	8/2010	Elias et al.		
7,874,476 B2	1/2011	D'Amato		
D635,852 S	4/2011	Jenkins		
D645,342 S *	9/2011	Allers	D9/434
D645,343 S *	9/2011	Allers	D9/434
8,056,799 B2	11/2011	Burke et al.		
8,146,743 B2	4/2012	Stonehouse		
D678,057 S *	3/2013	Holford	D9/434
8,490,808 B1	7/2013	Snyder		
D695,608 S	12/2013	Pusta et al.		
8,672,215 B2	3/2014	Learn		
D704,550 S *	5/2014	Mattila	D9/432
8,733,622 B2	5/2014	Learn		
8,740,050 B2	6/2014	Zinck et al.		
8,814,032 B2	8/2014	Li		
8,820,617 B2	9/2014	Silverstein et al.		
D725,429 S	3/2015	Veltrop et al.		
9,139,330 B2	9/2015	Gomez		
9,278,774 B2	3/2016	Fairchild, Jr.		
D753,994 S *	4/2016	Pantelleria	D9/432
9,327,864 B2 *	5/2016	Bell B65D 5/5021	
D762,468 S *	8/2016	Pantelleria	D9/423
D764,273 S	8/2016	Klag et al.		
D764,280 S	8/2016	Carnu		
D787,321 S *	5/2017	Pantelleria	D9/423
D808,090 S *	1/2018	Diehl	D30/162
D848,835 S *	5/2019	Exner	D9/423
D866,317 S *	11/2019	Cranshaw	D9/420
2002/0000463 A1	1/2002	Jaggi		
2002/0089847 A1	7/2002	Nguyen		
2004/0074953 A1	4/2004	Yocum		
2005/0092649 A1	5/2005	Ford et al.		
2007/0267468 A1 *	11/2007	Burke B65D 5/4229	229/146
2008/0110966 A1 *	5/2008	Yocum B65D 5/667	229/114
2014/0263599 A1 *	9/2014	Robertson B65D 5/6685	229/146
2017/0099997 A1 *	4/2017	Buck A47G 19/2205	

* cited by examiner

FIG. 1

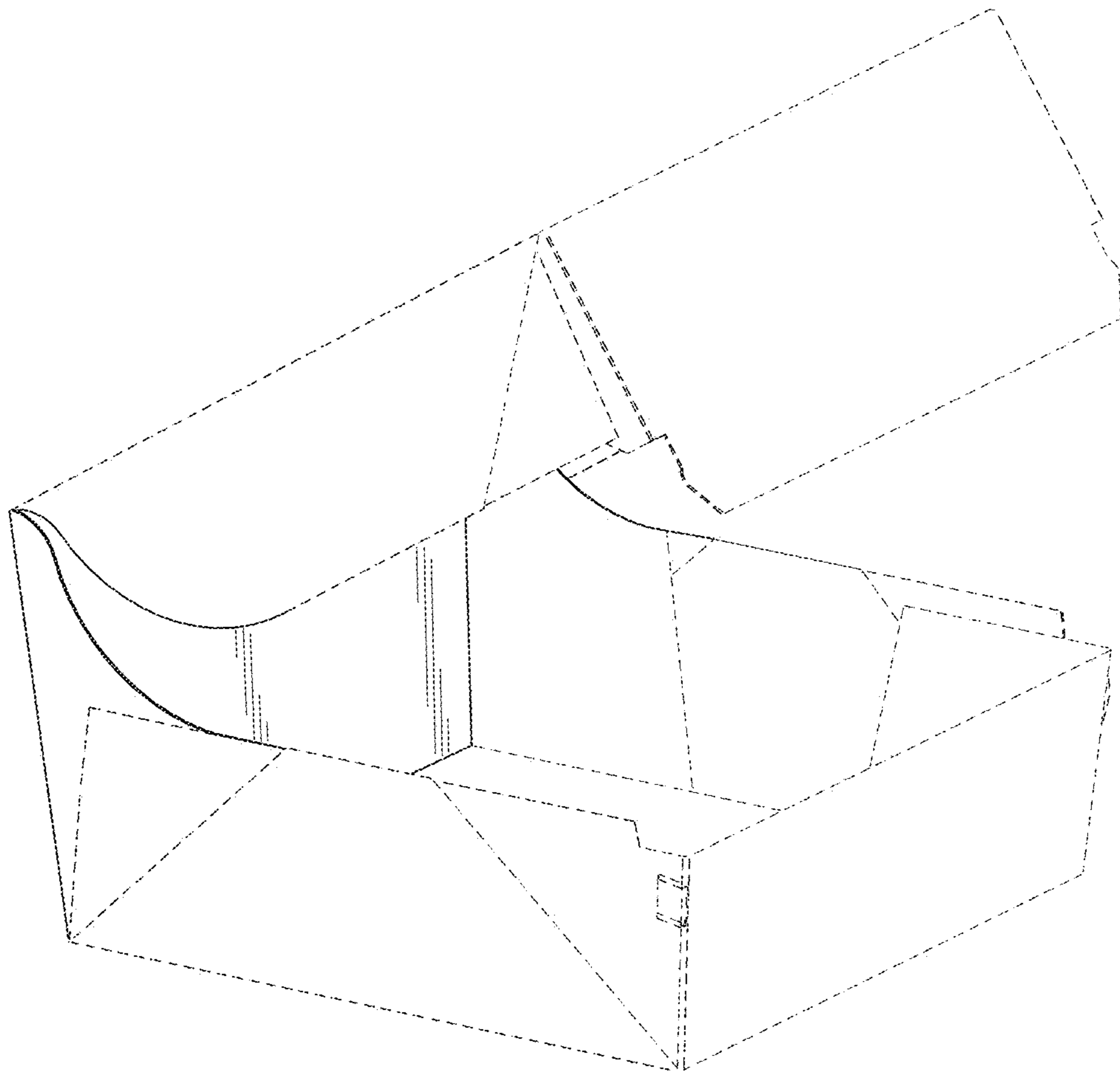


FIG. 2

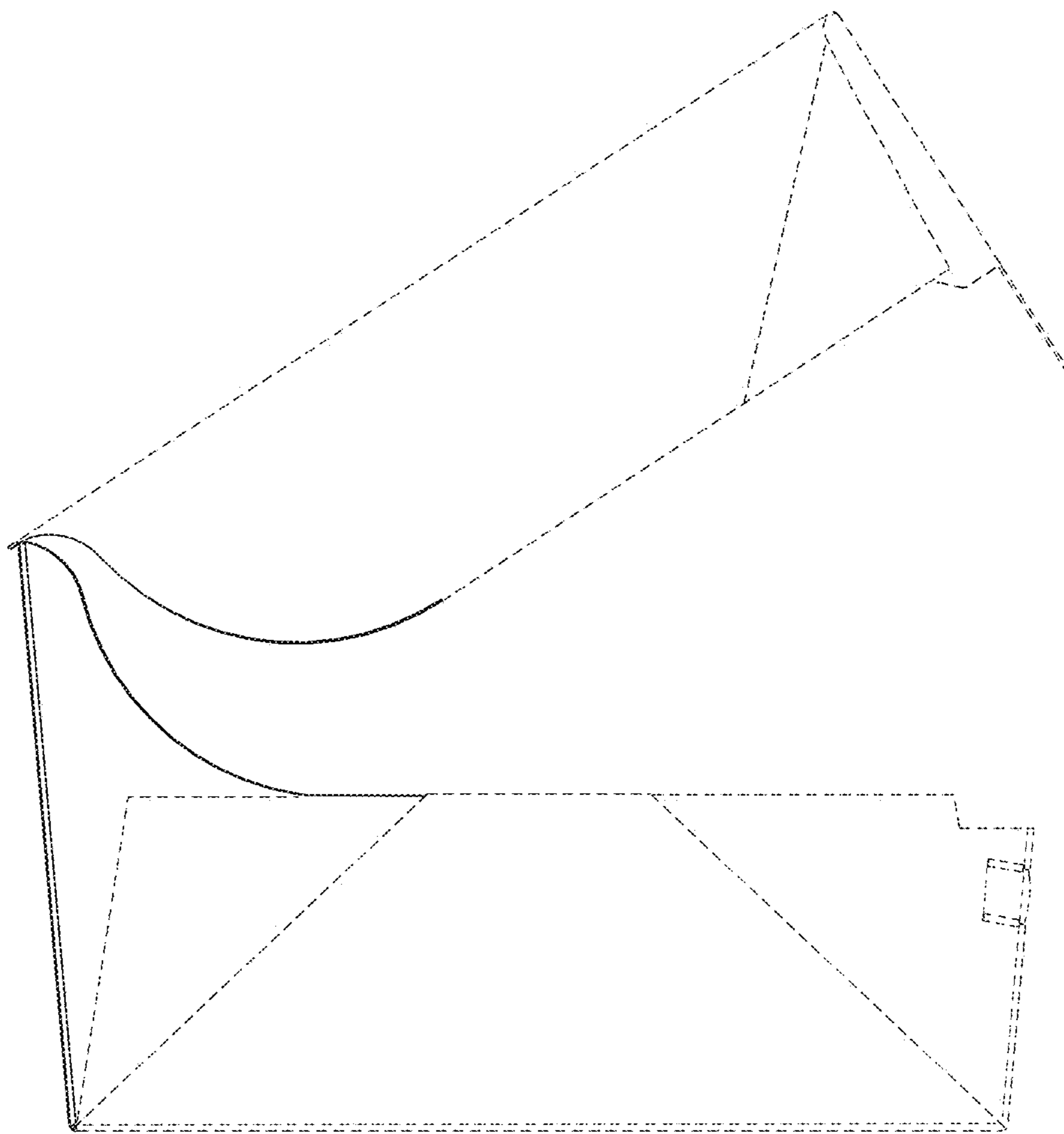


FIG. 3

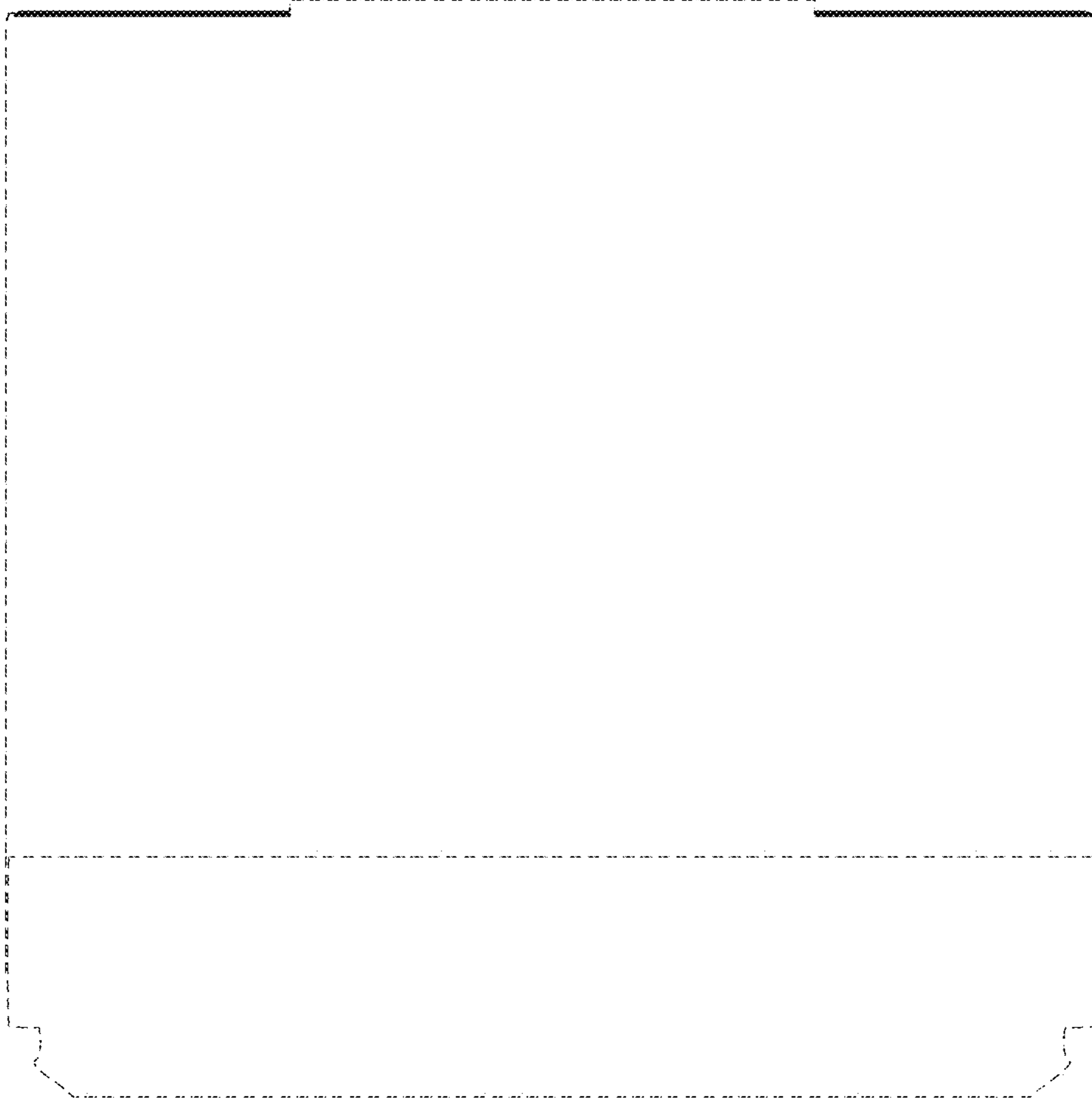


FIG. 4

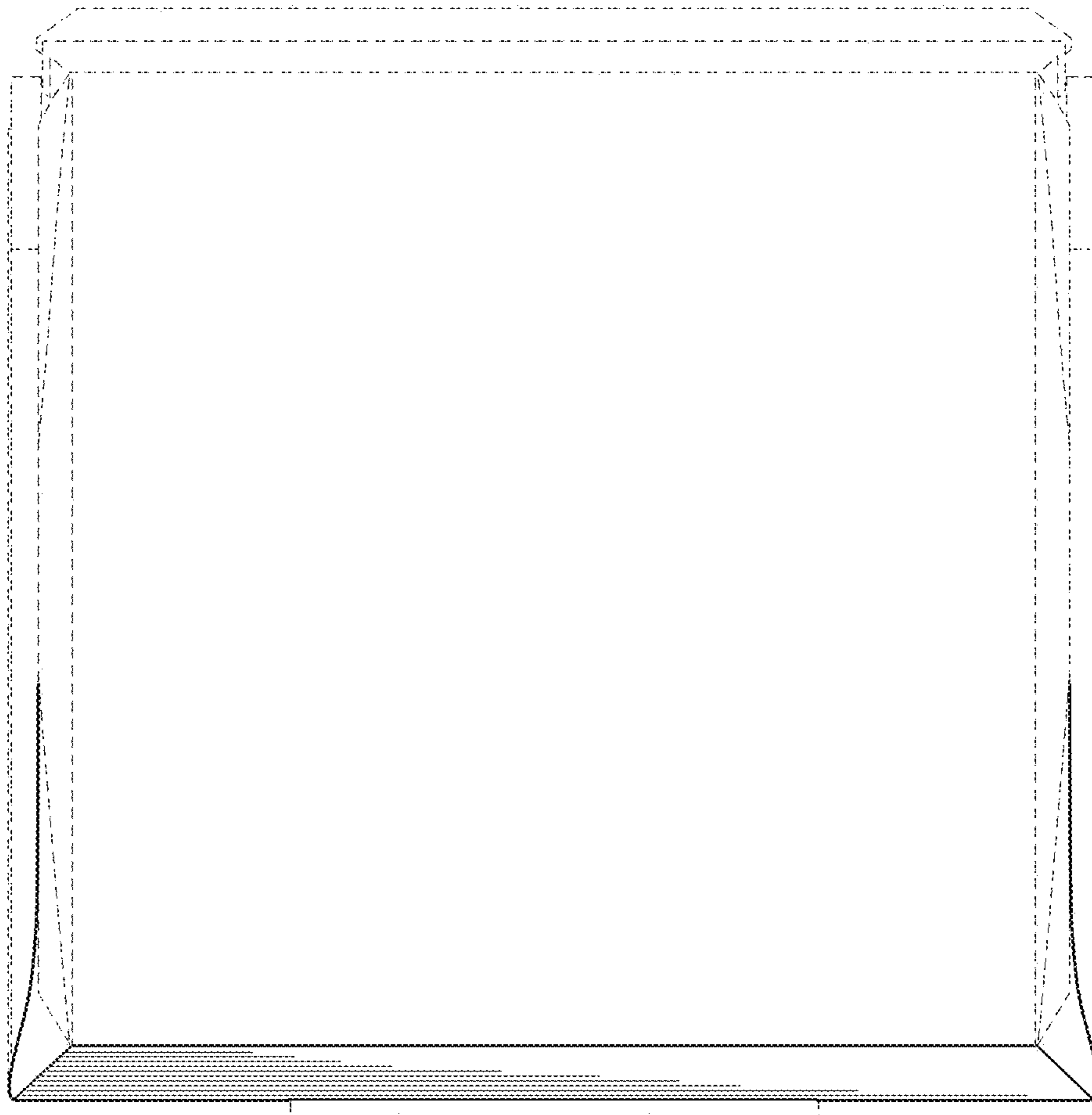


FIG. 5

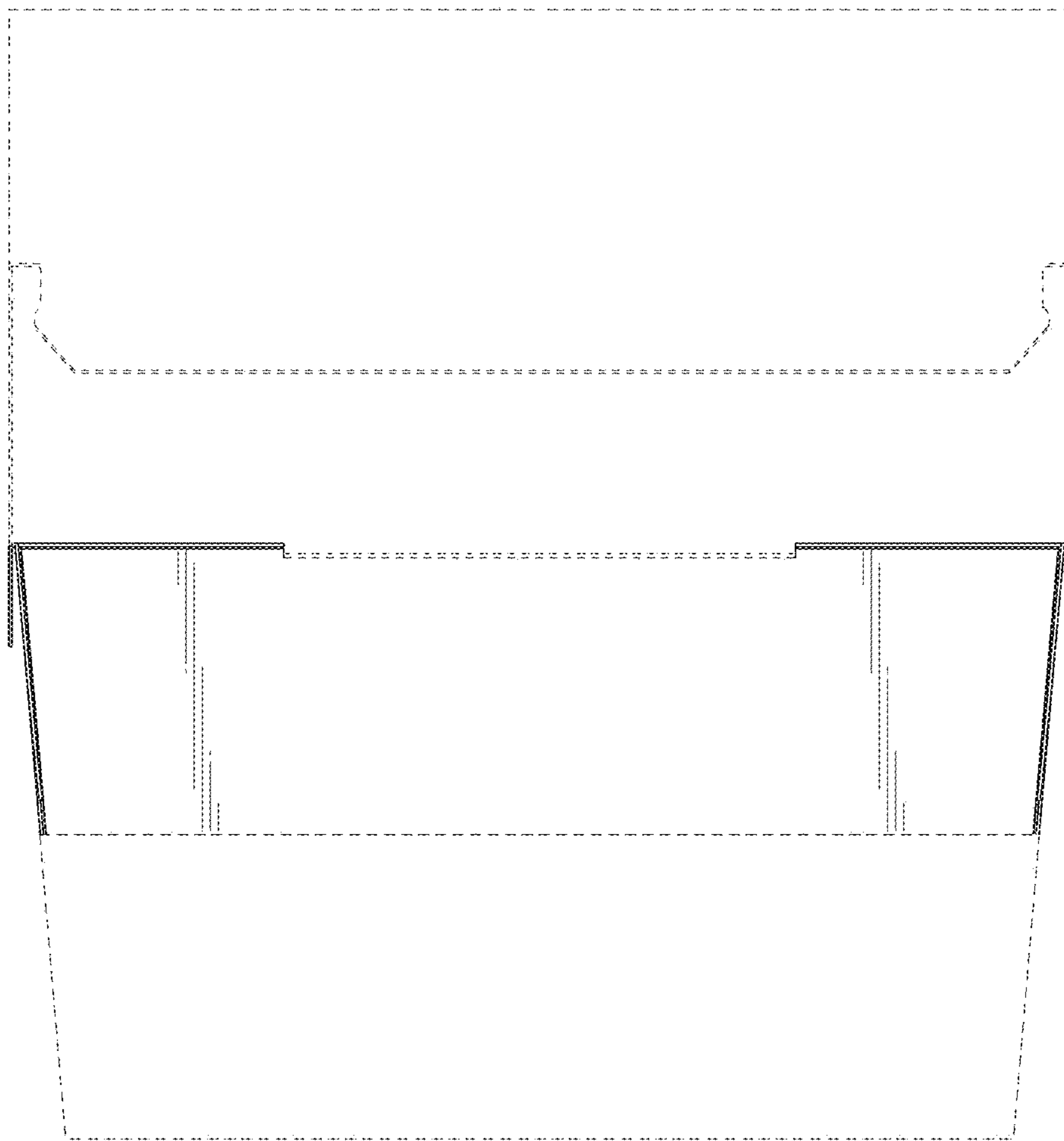


FIG. 6

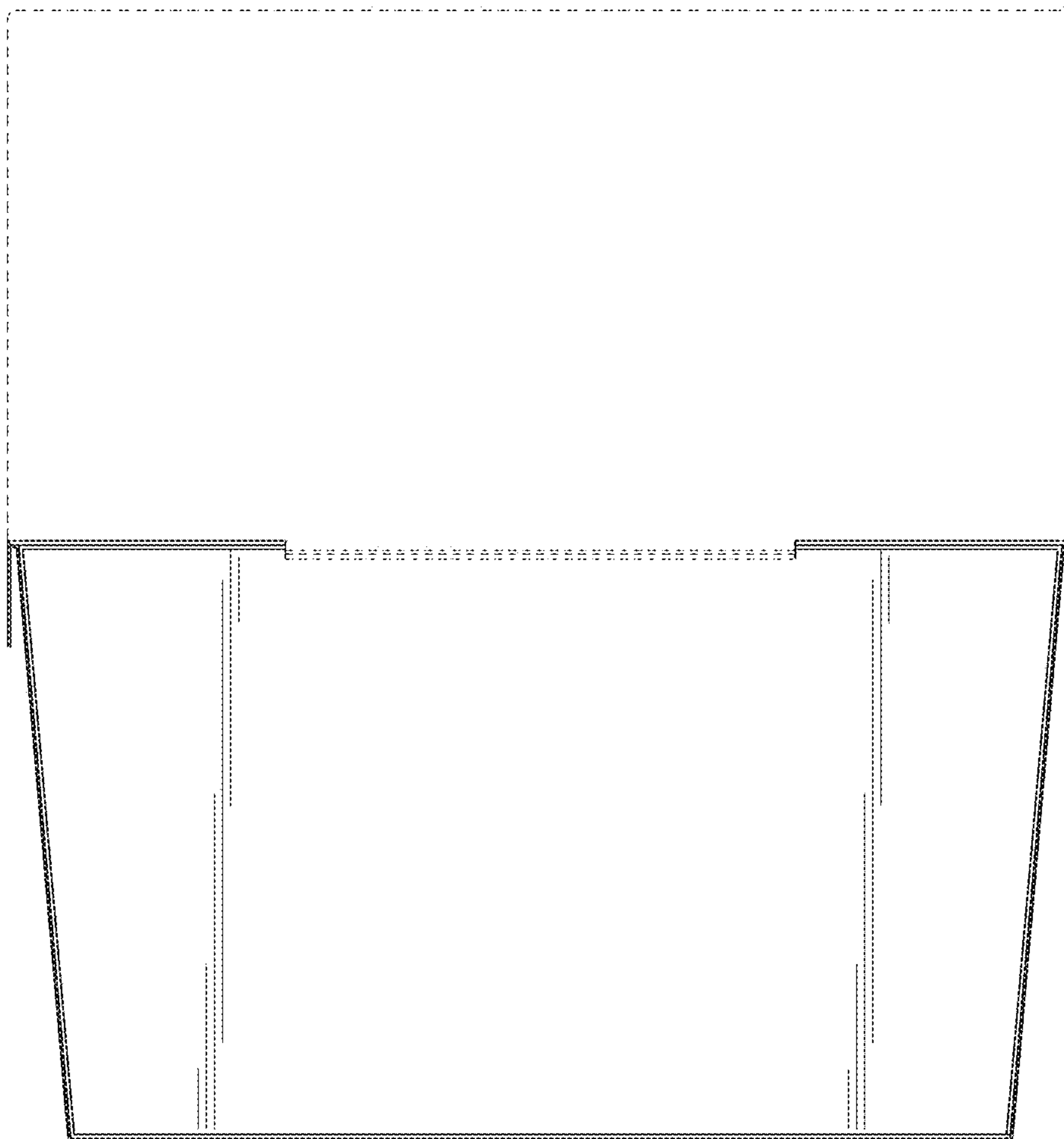


FIG. 7

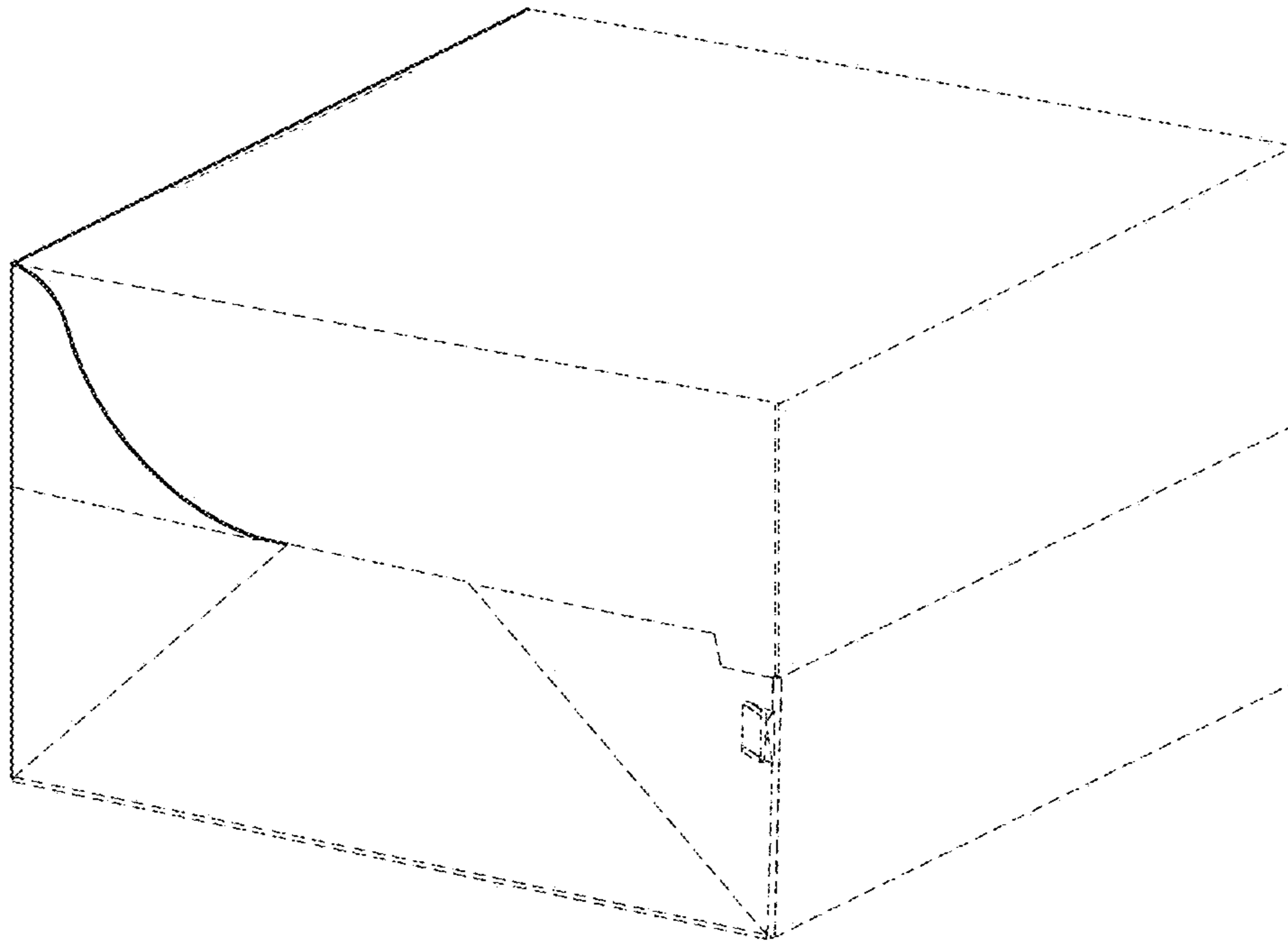


FIG. 8

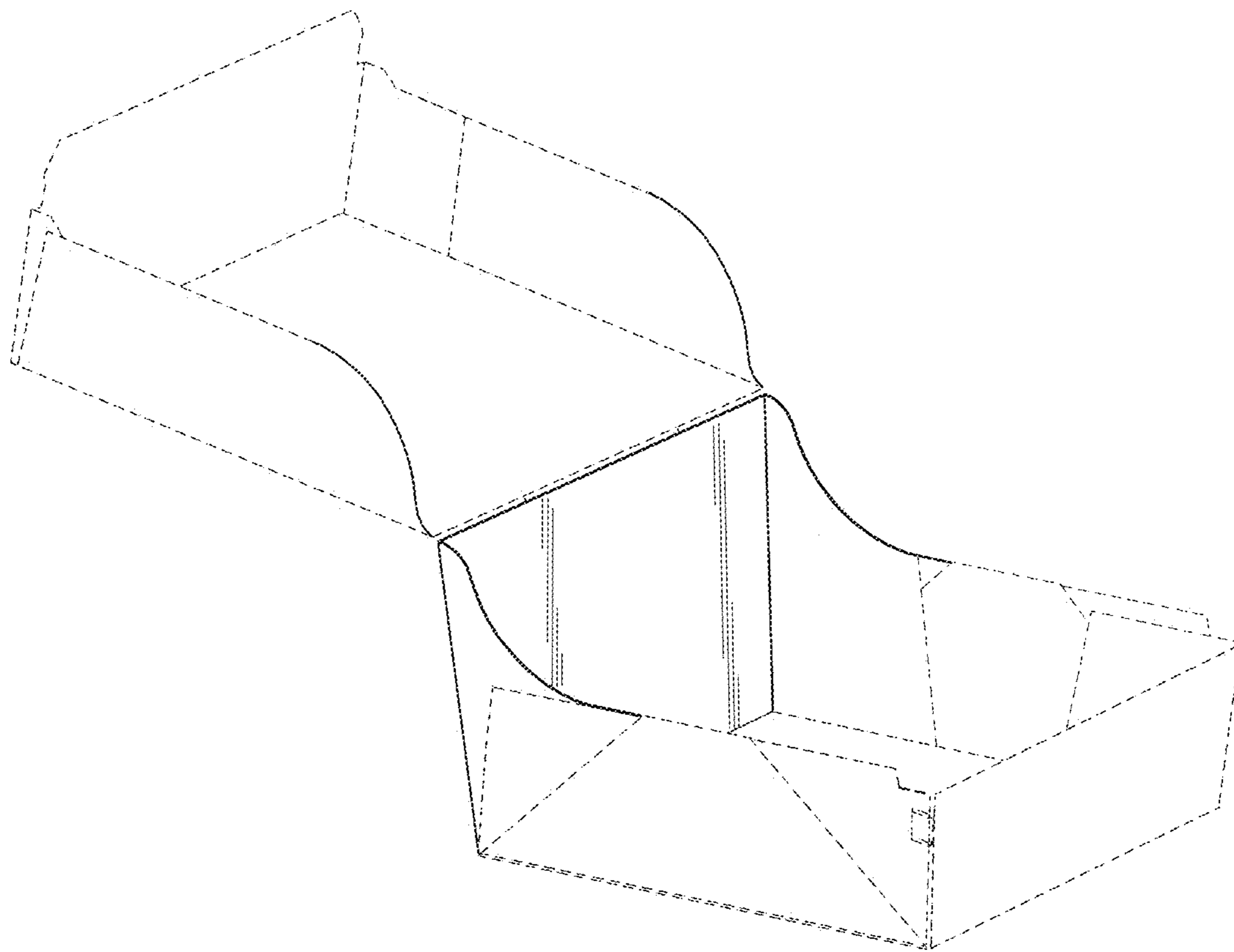


FIG. 9

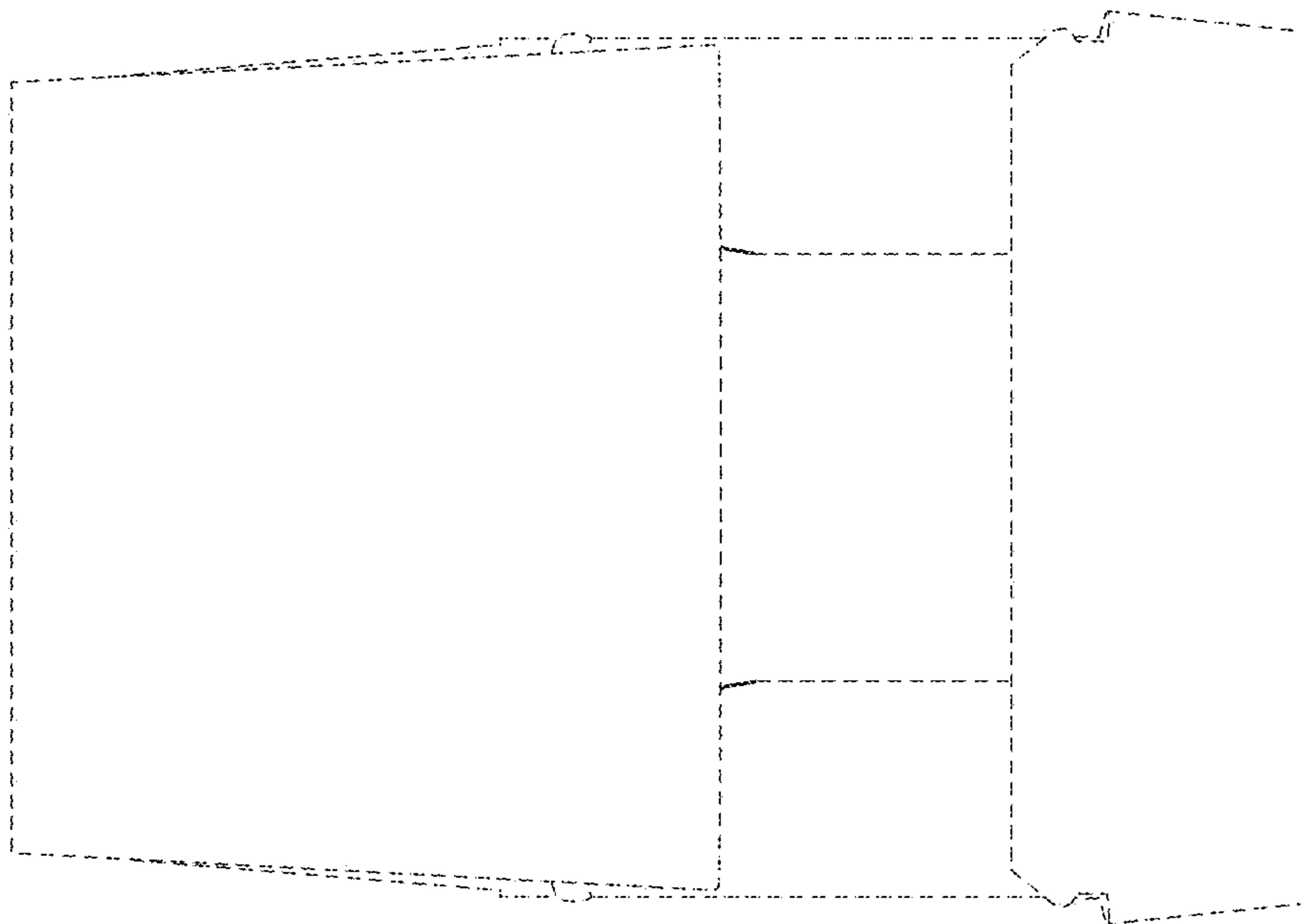


FIG. 10

