



US00D878913S

(12) **United States Design Patent**
Castellanos et al.

(10) **Patent No.:** **US D878,913 S**
(45) **Date of Patent:** **** Mar. 24, 2020**

(54) **CONTAINER**

(71) Applicant: **Kush Bottles, Inc.**, Garden Grove, CA (US)

(72) Inventors: **Roberto Castellanos**, Garden Grove, CA (US); **Diana Malone**, Garden Grove, CA (US)

(73) Assignee: **KUSHCO HOLDINGS, INC.**, Cypress, CA (US)

(**) Term: **15 Years**

(21) Appl. No.: **29/660,944**

(22) Filed: **Aug. 23, 2018**

(51) **LOC (12) Cl.** **09-03**

(52) **U.S. Cl.**
USPC **D9/432; D9/424**

(58) **Field of Classification Search**
USPC D9/414, 424, 425, 432, 721; D7/601, D7/602, 629; D3/201, 203.3, 205, 206, D3/273, 302

(Continued)

(56) **References Cited**

U.S. PATENT DOCUMENTS

D408,145 S * 4/1999 Au D3/294
6,102,233 A * 8/2000 Waugh G09F 23/06
206/216

(Continued)

Primary Examiner — Lauren R Calve

(74) *Attorney, Agent, or Firm* — Ryan Dean; Umberg Zipser LLP

(57) **CLAIM**

We claim the ornamental design for a container, as shown and described.

DESCRIPTION

FIG. 1 is a perspective view of a first embodiment of a container.

FIG. 2 is a front elevation view of the first embodiment of the container, the right elevation view, the left side elevation view, and the right side elevation view all being identical to the front elevation view.

FIG. 3 is a top plan view of the first embodiment of the container.

FIG. 4 is a bottom plan view of the first embodiment of the container.

FIG. 5 is a perspective view of a second embodiment of the container.

FIG. 6 is a front elevation view of the second embodiment of the container, the right elevation view, the left side elevation view, and the right side elevation view all being identical to the front elevation view.

FIG. 7 is a top plan view of the second embodiment of the container.

FIG. 8 is a bottom plan view of the second embodiment of the container.

FIG. 9 is a perspective view of a third embodiment of the container.

FIG. 10 is a front elevation view of the third embodiment of the container, the right elevation view, the left side elevation view, and the right side elevation view all being identical to the front elevation view.

FIG. 11 is a top plan view of the third embodiment of the container.

FIG. 12 is a bottom plan view of the third embodiment of the container.

FIG. 13 is a perspective view of a fourth embodiment of the container.

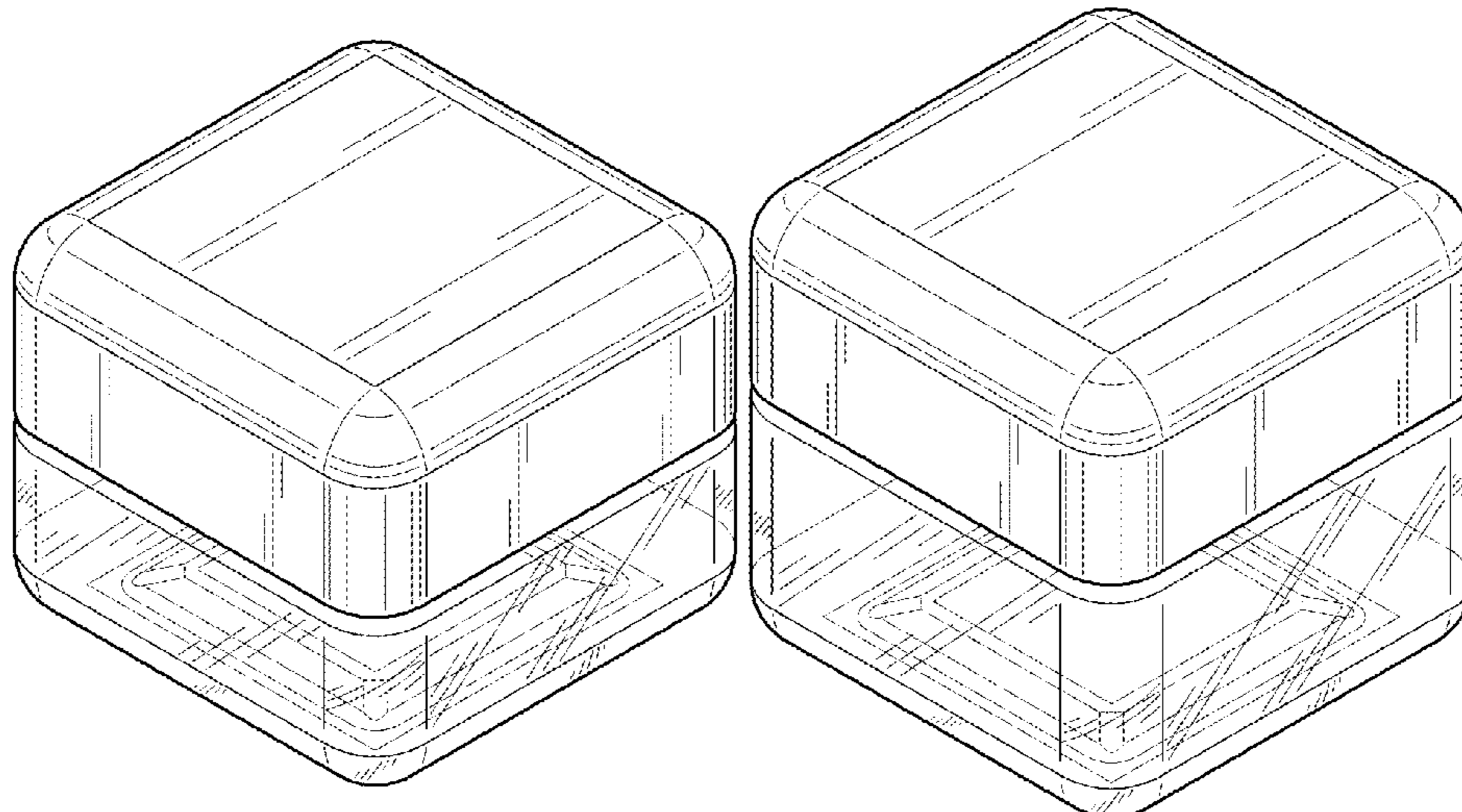
FIG. 14 is a front elevation view of the fourth embodiment of the container, the right elevation view, the left side elevation view, and the right side elevation view all being identical to the front elevation view.

FIG. 15 is a top plan view of the fourth embodiment of the container; and,

FIG. 16 is a bottom plan view of the fourth embodiment of the container.

The broken lines shown represent portions of the container that form no part of the claimed design.

1 Claim, 16 Drawing Sheets



(58) **Field of Classification Search**

CPC A45C 2011/002; A45C 11/00; A45C
2011/003; B65D 85/00; B65D 81/022;
B65D 2543/00194; B65D 81/05; B65D
2543/00296; B65D 2251/105; B65D
77/02; B65D 51/249; B65D 2543/00101
See application file for complete search history.

(56) **References Cited**

U.S. PATENT DOCUMENTS

6,367,640 B1 * 4/2002 Julian B65D 1/0246
215/329
D478,513 S * 8/2003 Canamasas Puigbo D9/529
D540,689 S * 4/2007 Dorfmueller D9/560
D543,453 S * 5/2007 Fu D21/392
D620,368 S * 7/2010 Pedersen D9/529
D659,530 S * 5/2012 Akana D9/424
D663,524 S * 7/2012 Penttinen D3/273
D672,554 S * 12/2012 Penttinen D3/273
D682,706 S * 5/2013 Weil D9/560
D709,758 S * 7/2014 Burdock-Latter D9/418
D734,550 S * 7/2015 Schlatter D28/83
D742,593 S * 11/2015 Corey D28/83
D764,799 S * 8/2016 Ball D3/302
D786,078 S * 5/2017 Futagami D28/8
D799,328 S * 10/2017 Canamasas Puigbo D9/529
D802,414 S * 11/2017 Delle Cese D9/419
D829,554 S * 10/2018 Liston D9/529
D832,698 S * 11/2018 Uglialoro D9/432
D834,377 S * 11/2018 Zoske D7/629
2017/0367272 A1 * 12/2017 Uglialoro A01G 5/06

* cited by examiner

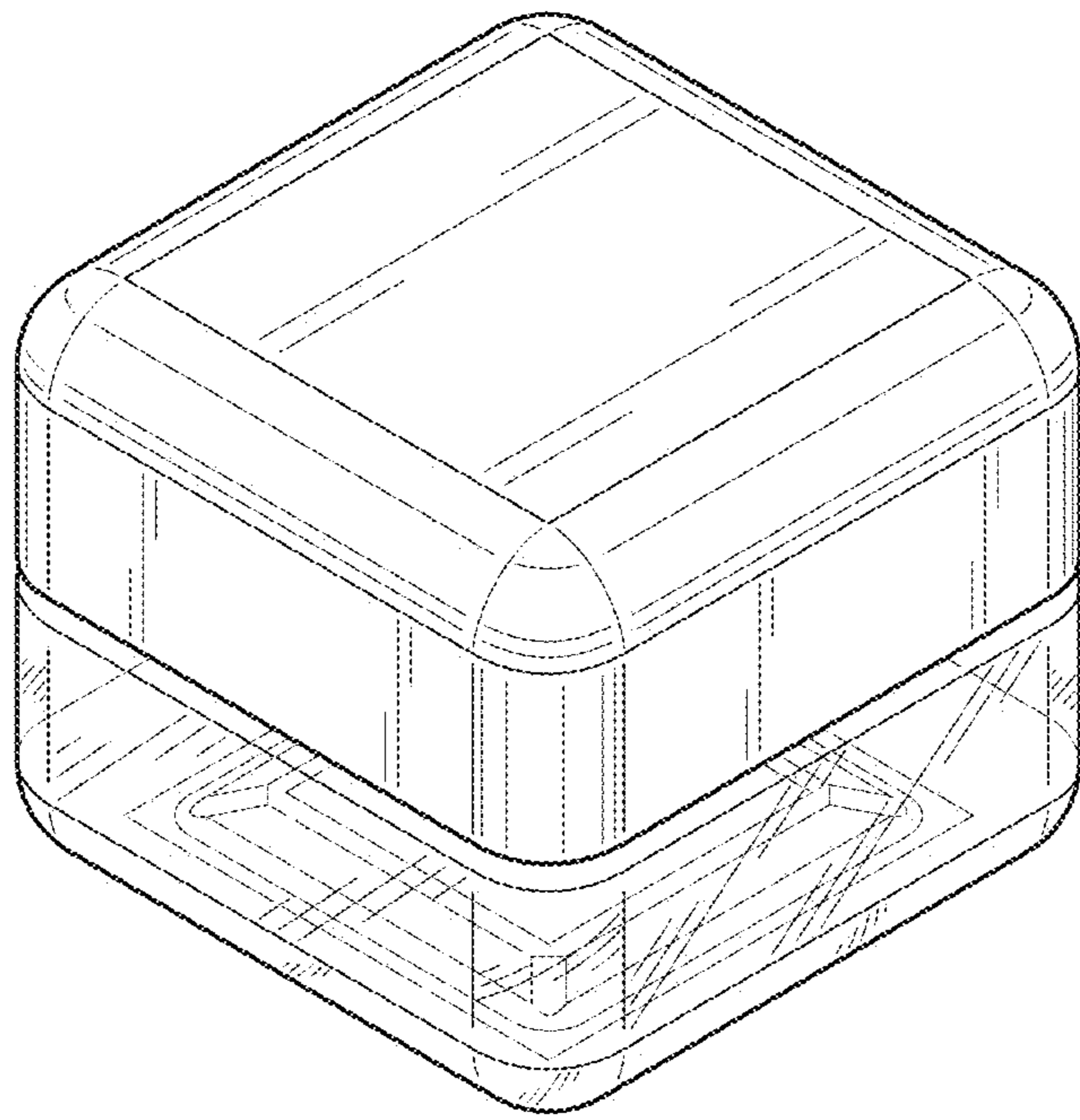


FIG. 1

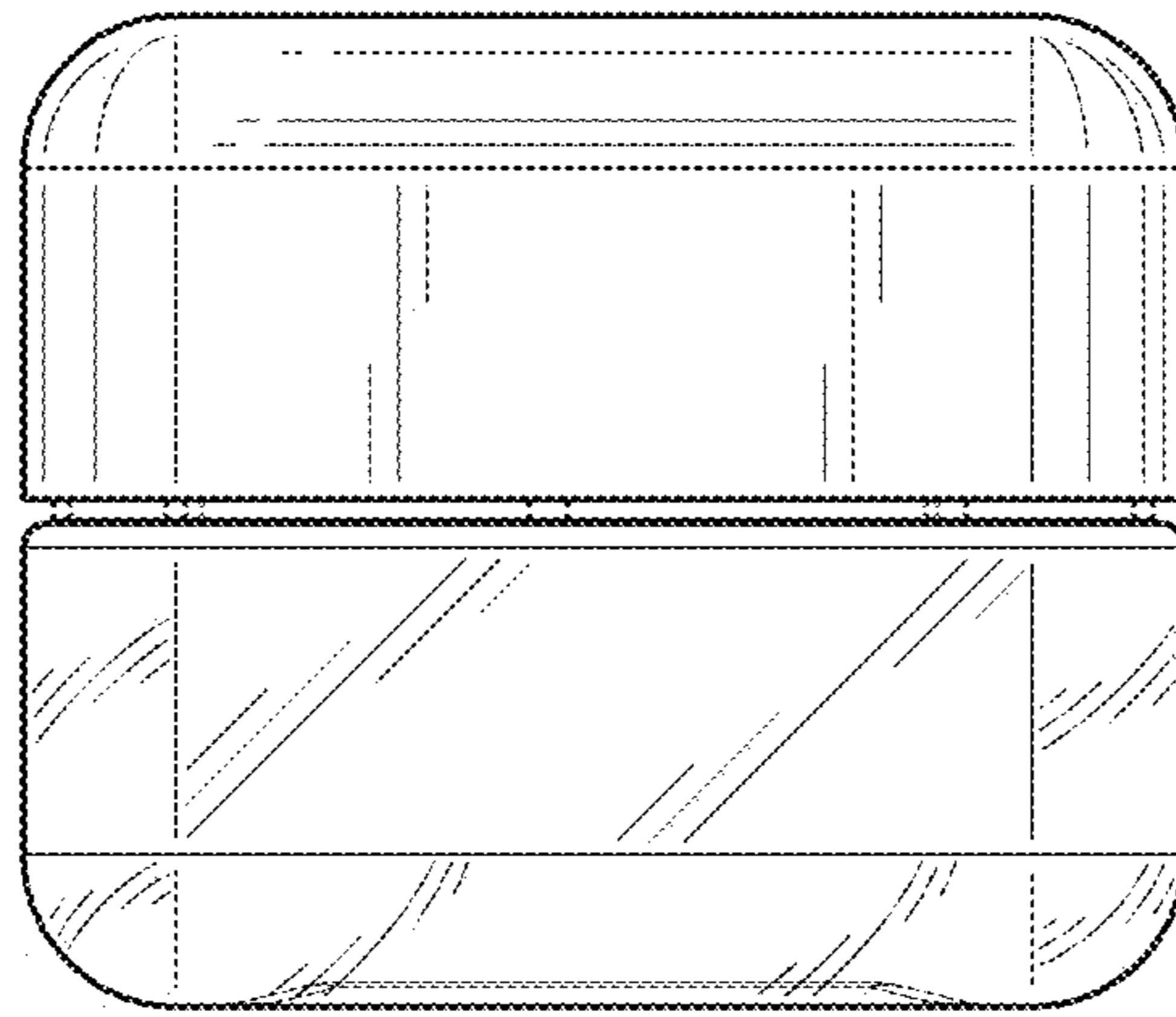


FIG. 2

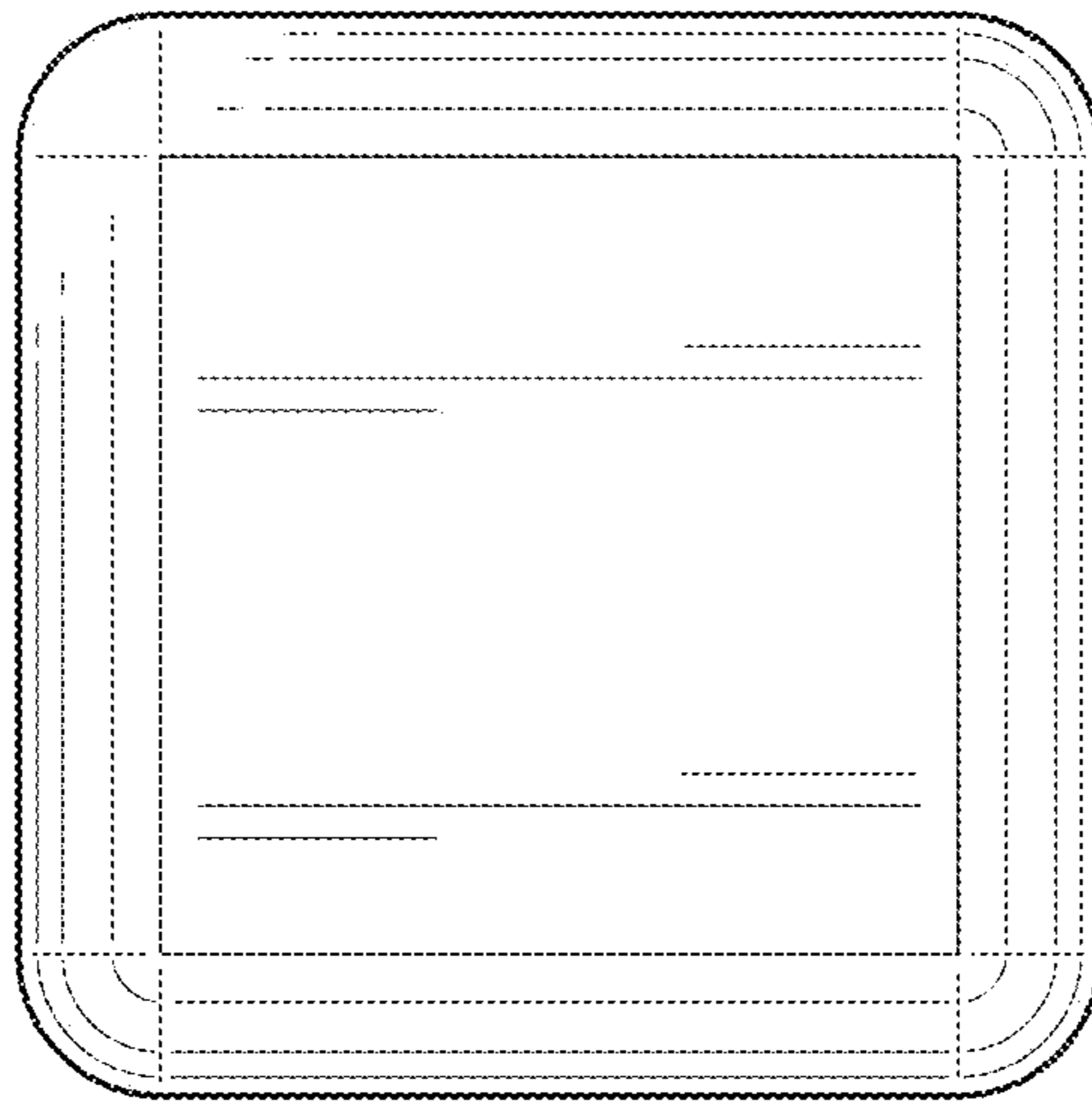


FIG. 3

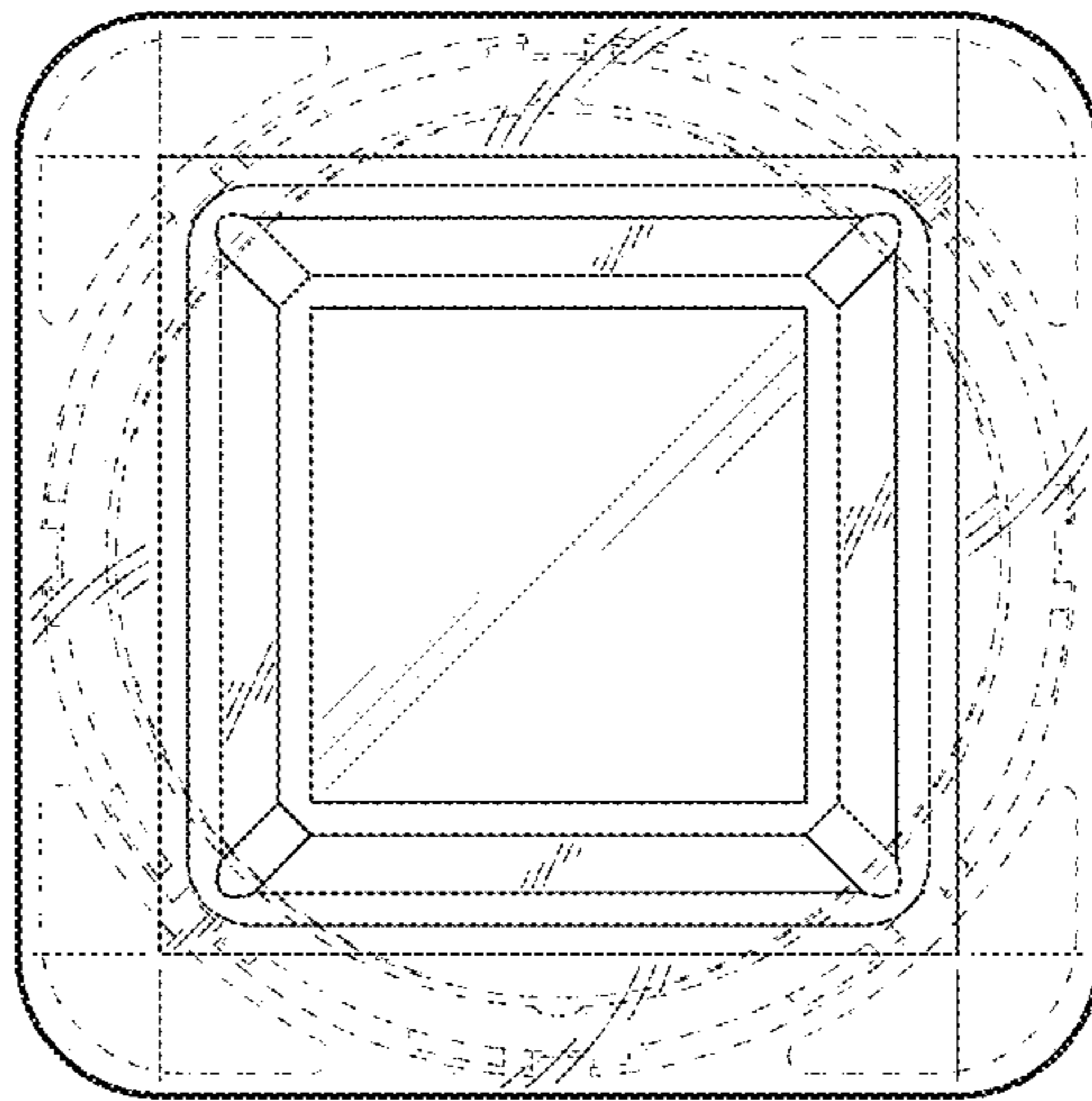


FIG. 4

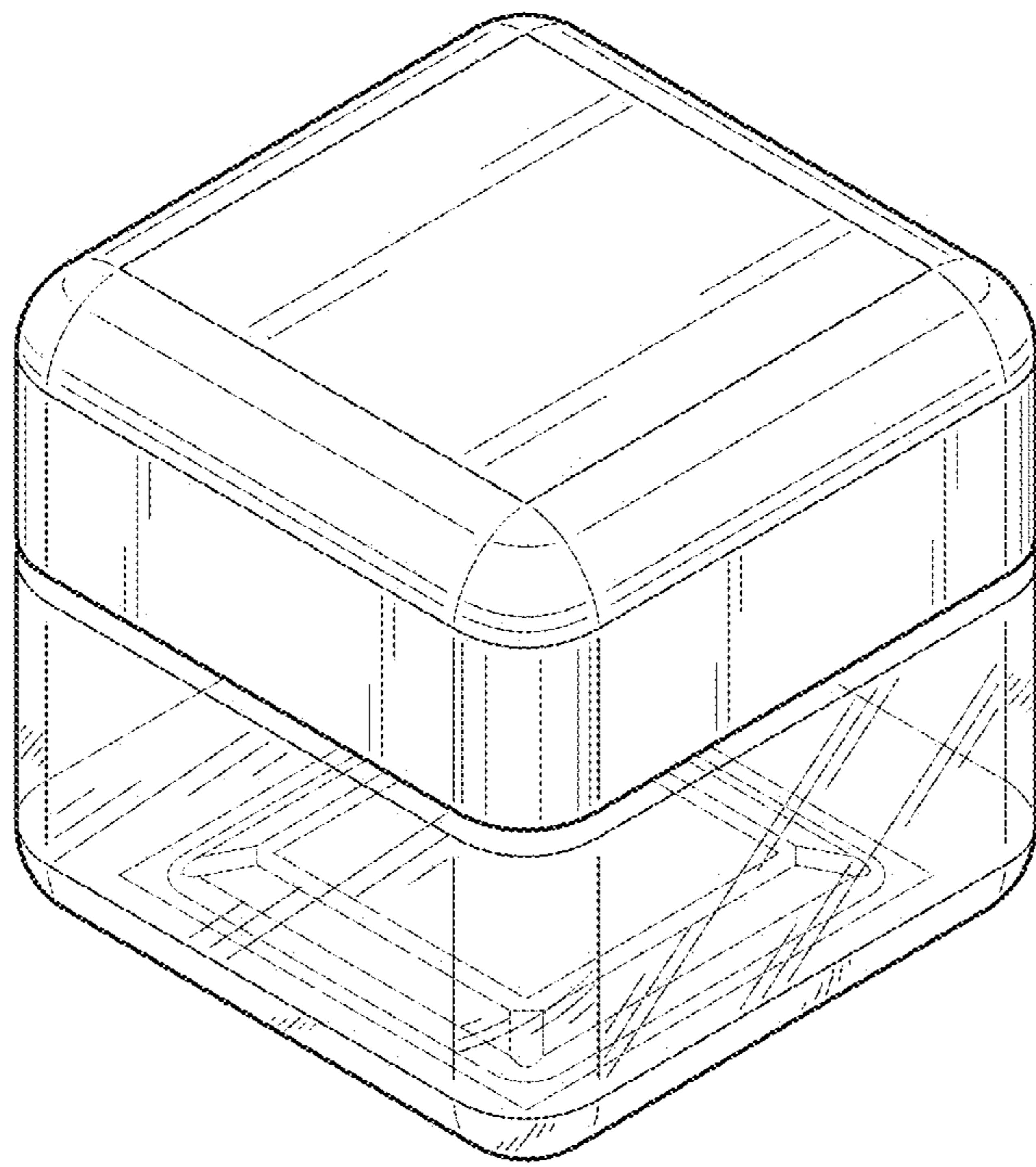


FIG. 5

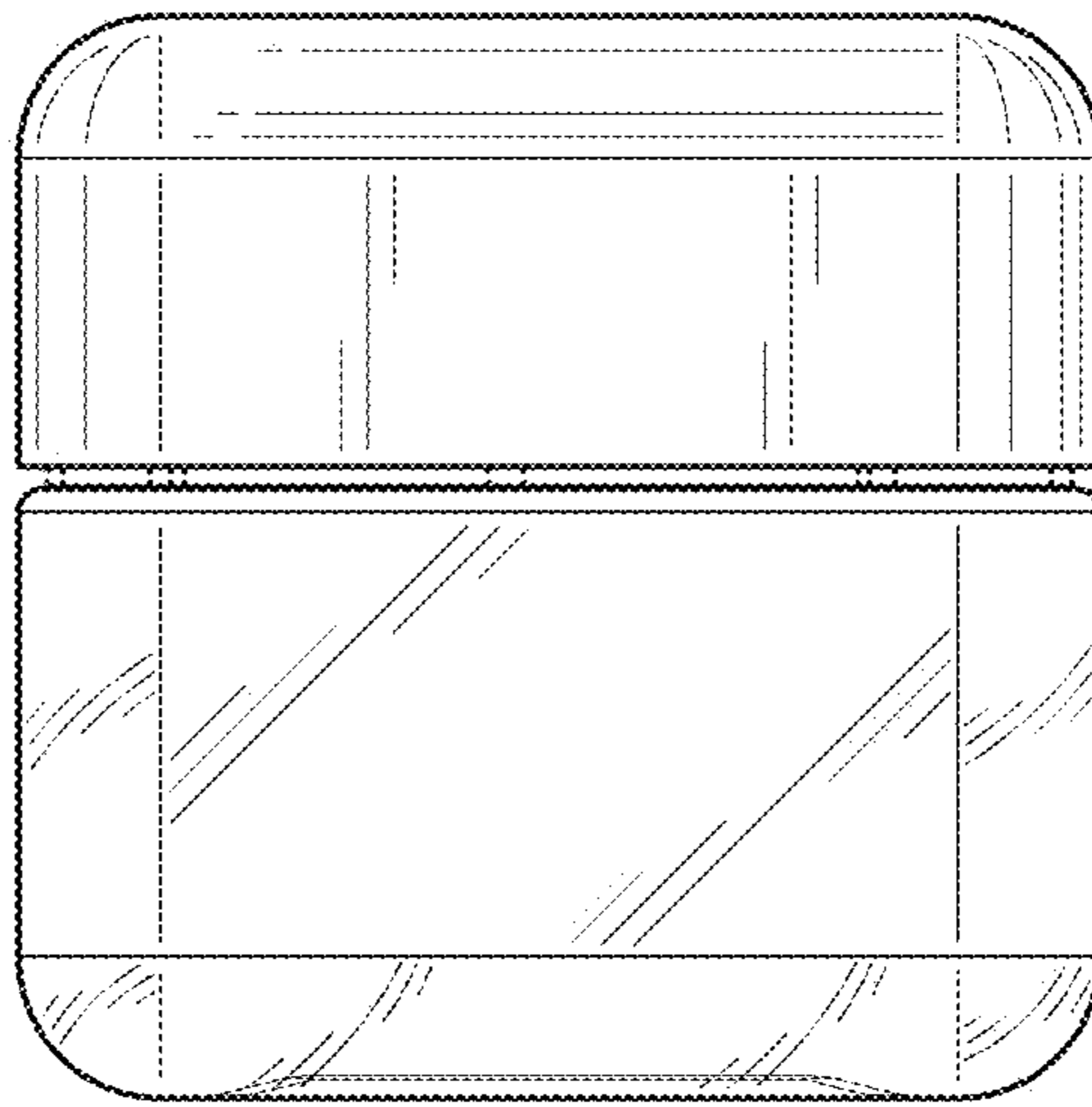


FIG. 6

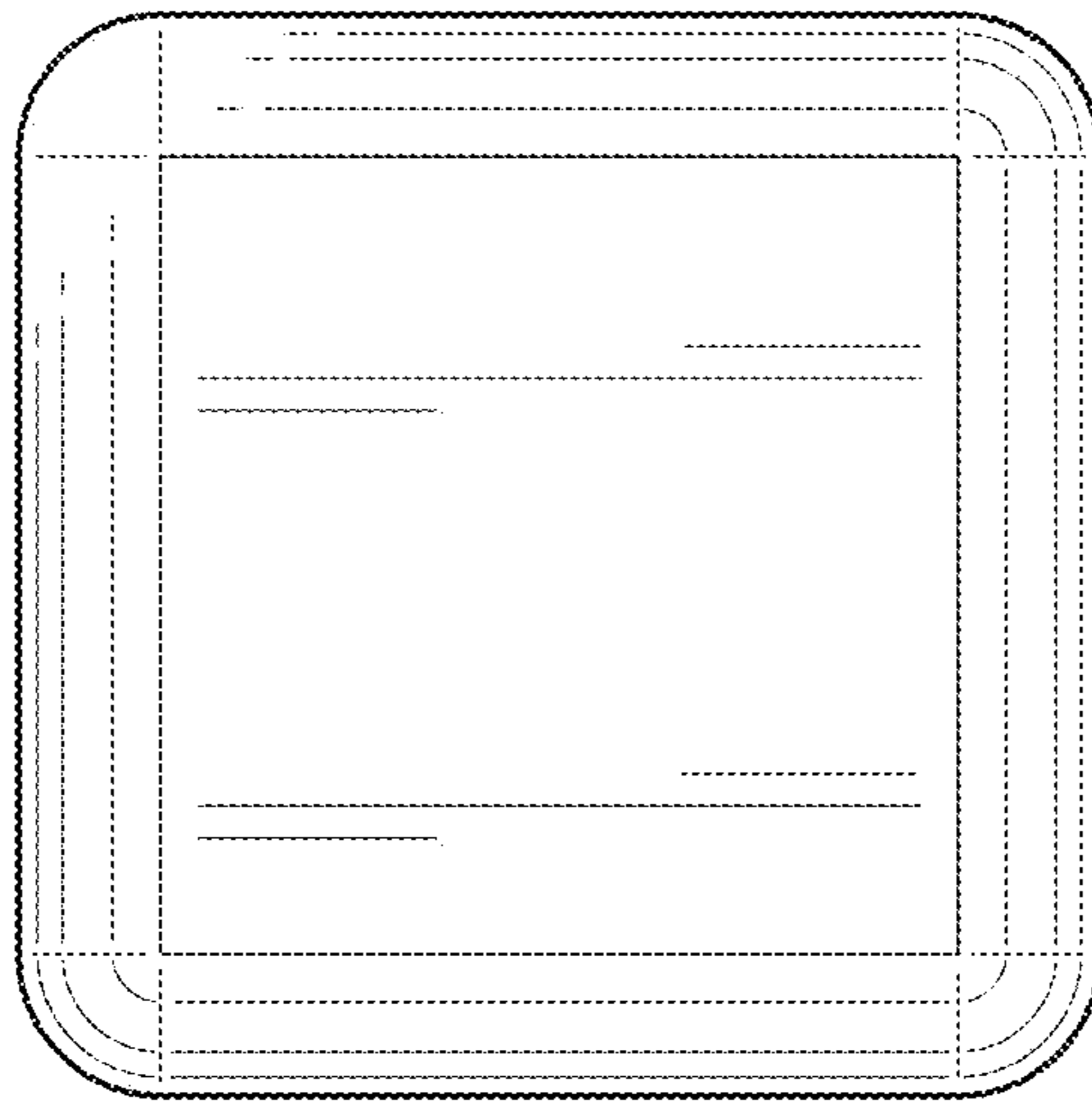


FIG. 7

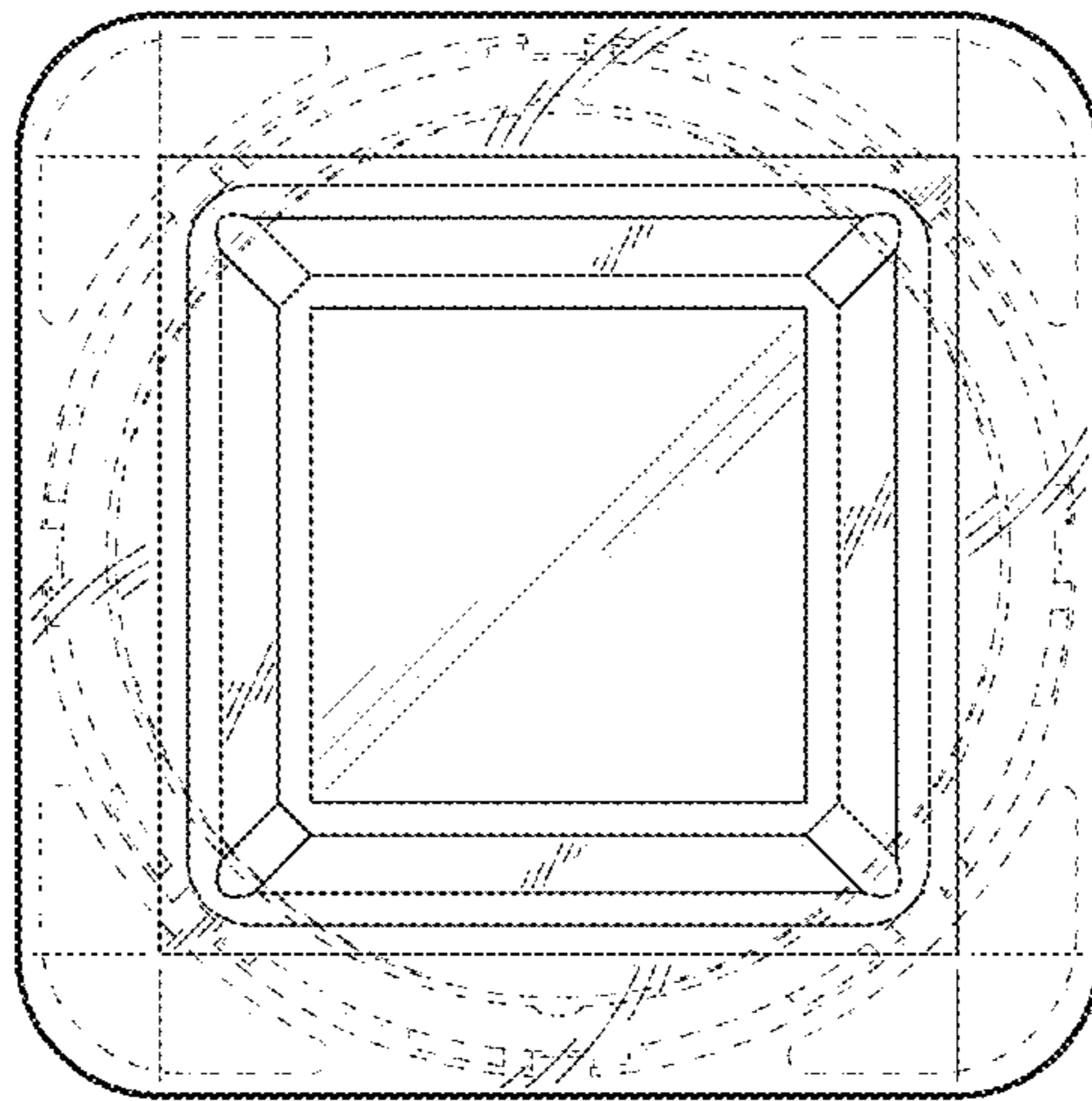


FIG. 8

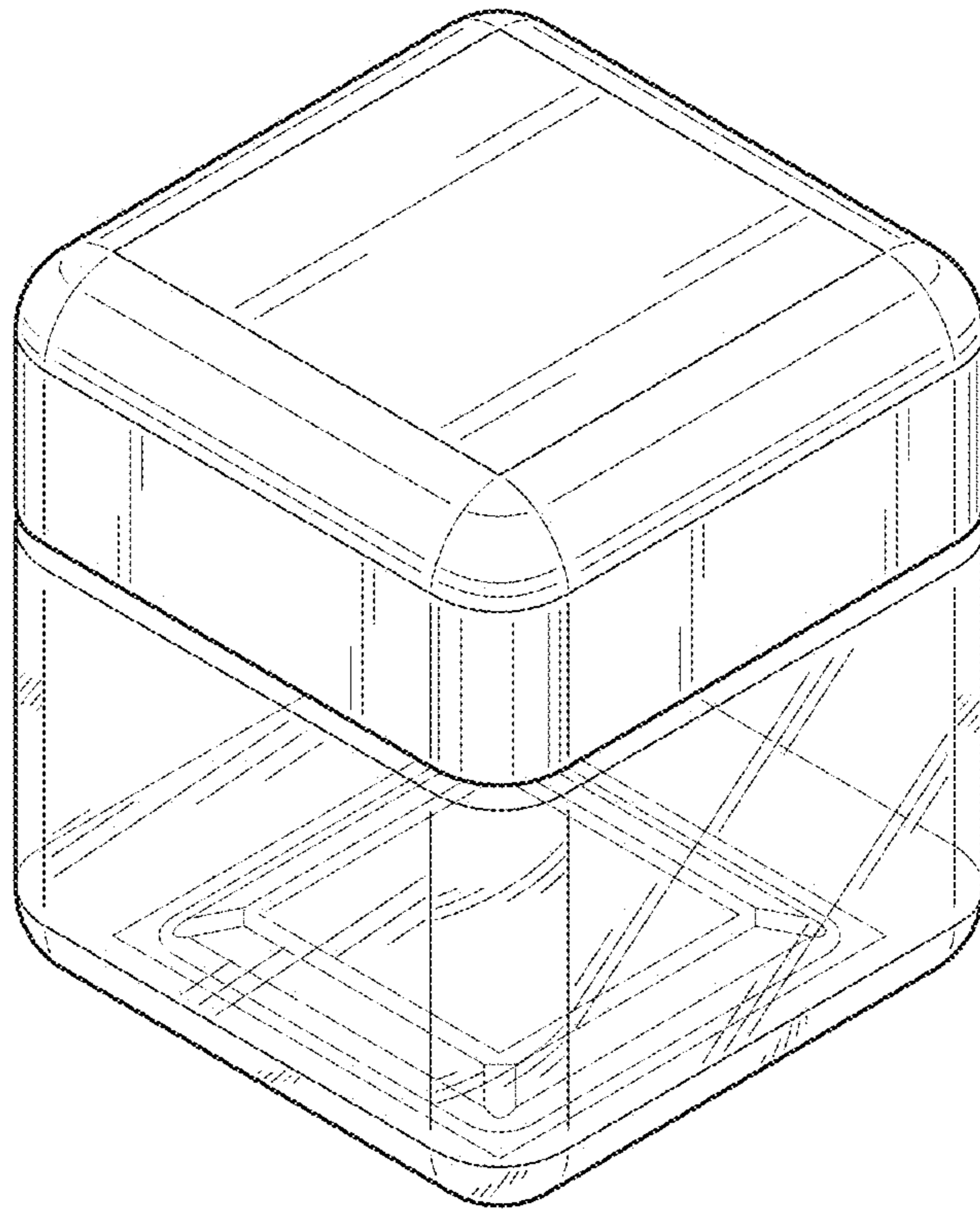


FIG. 9

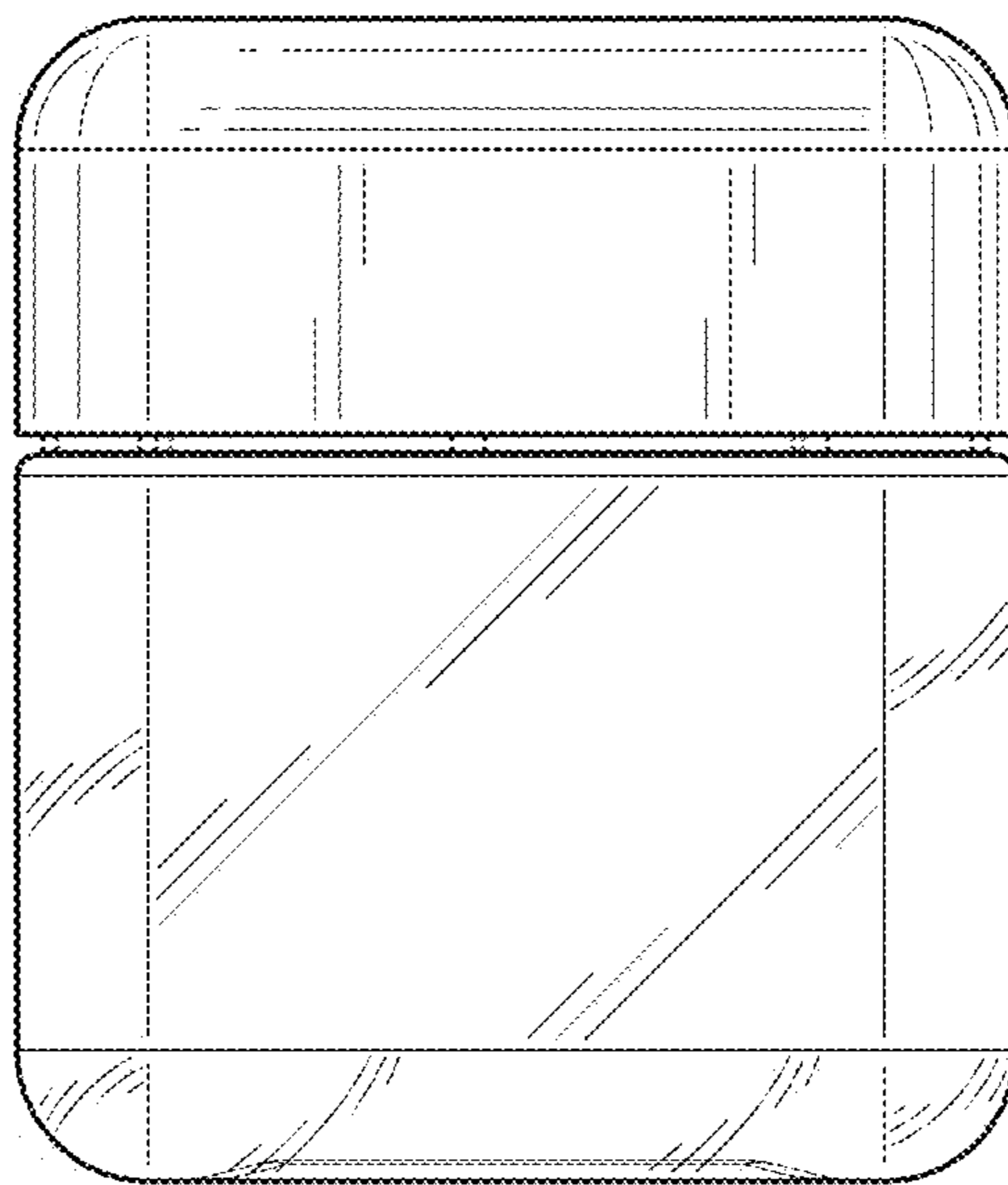


FIG. 10

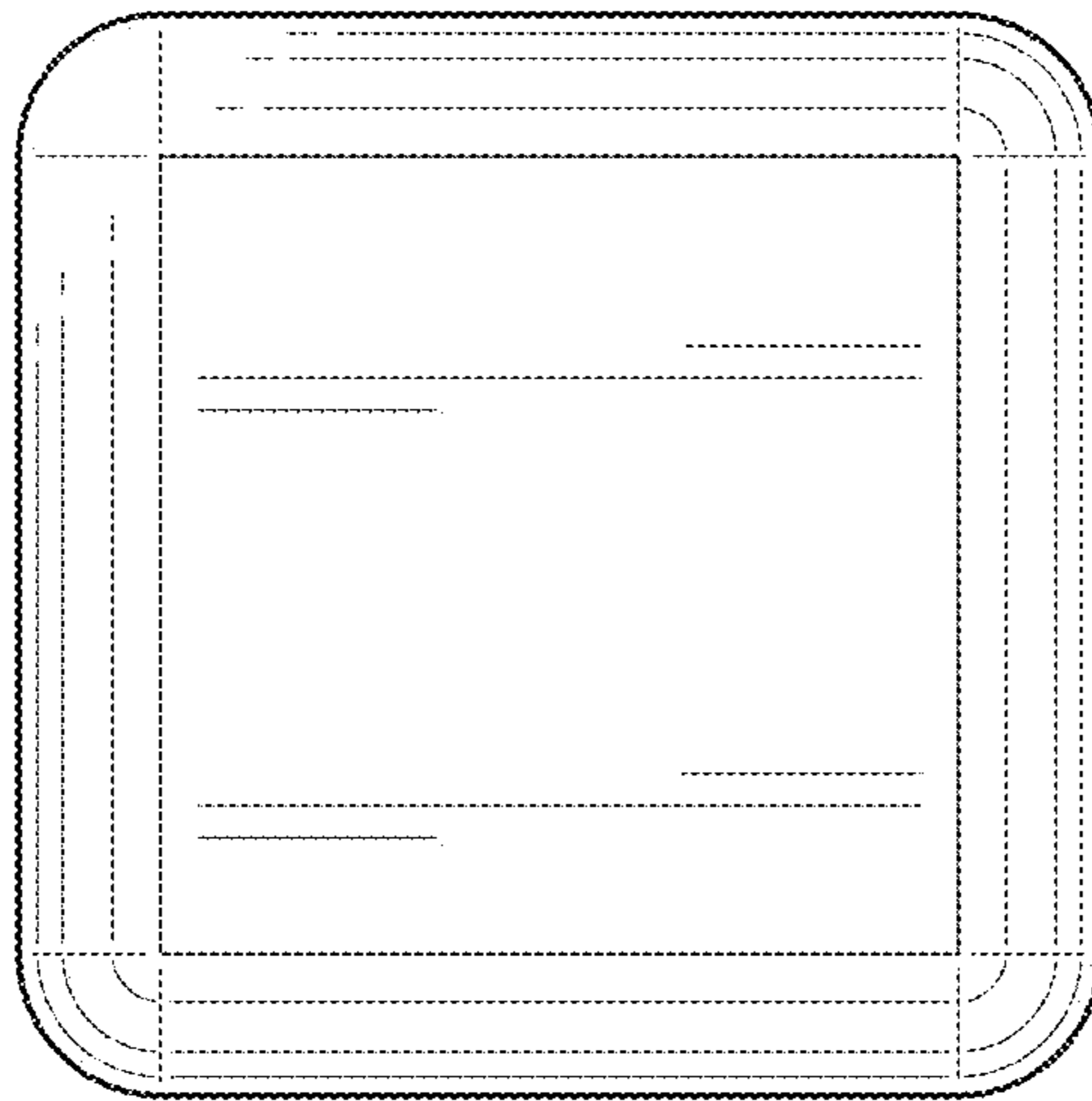


FIG. 11

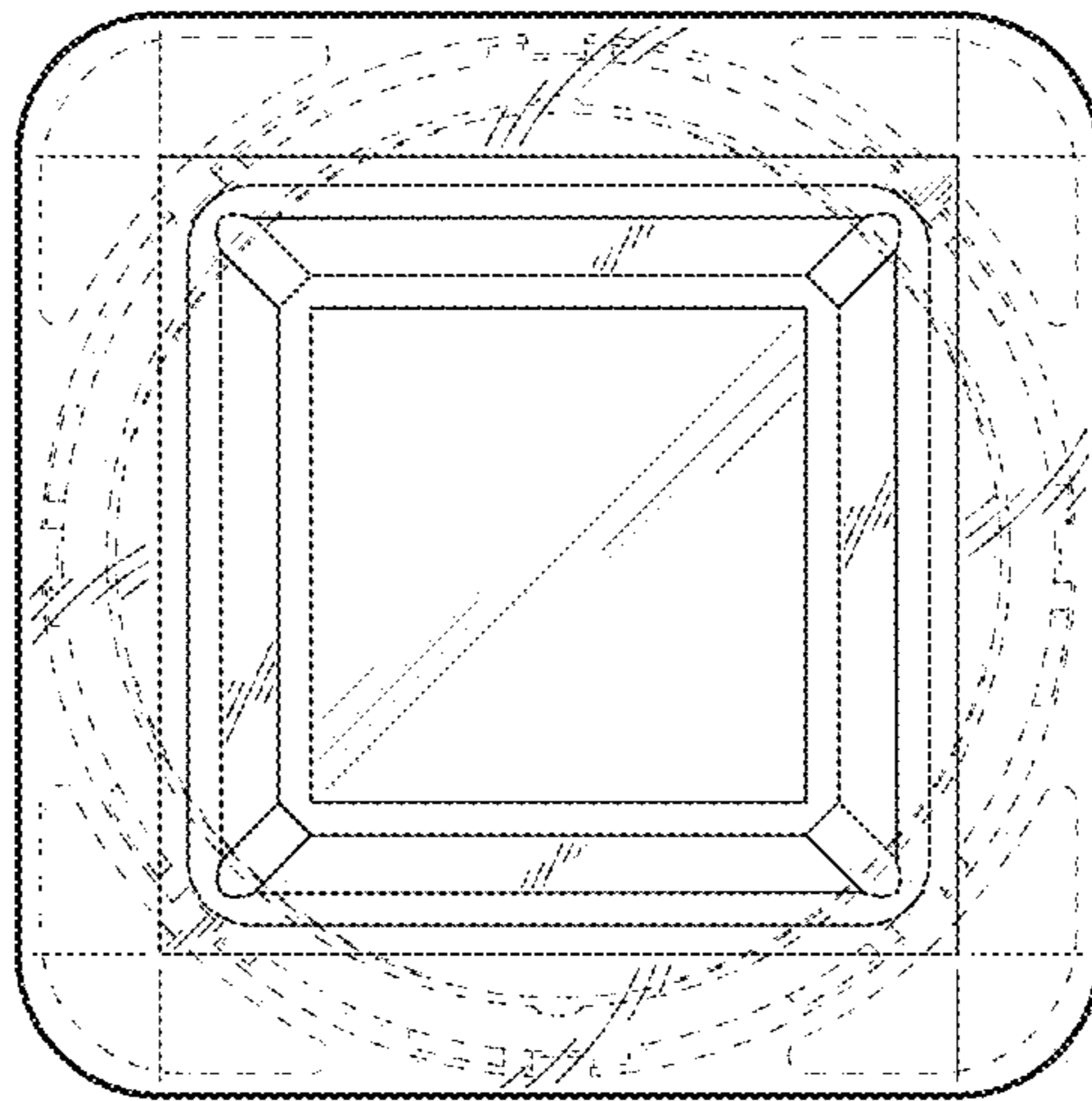


FIG. 12

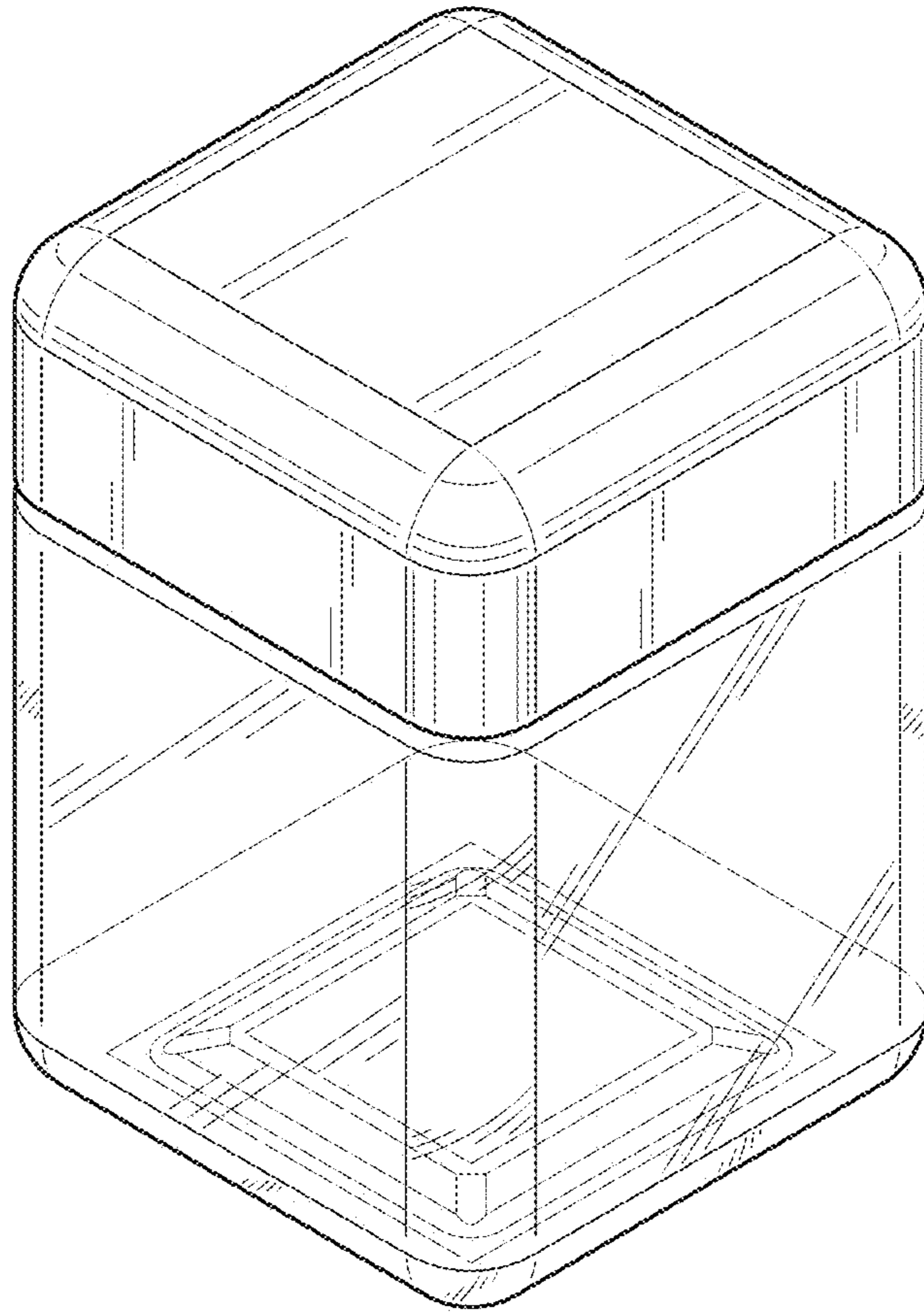


FIG. 13

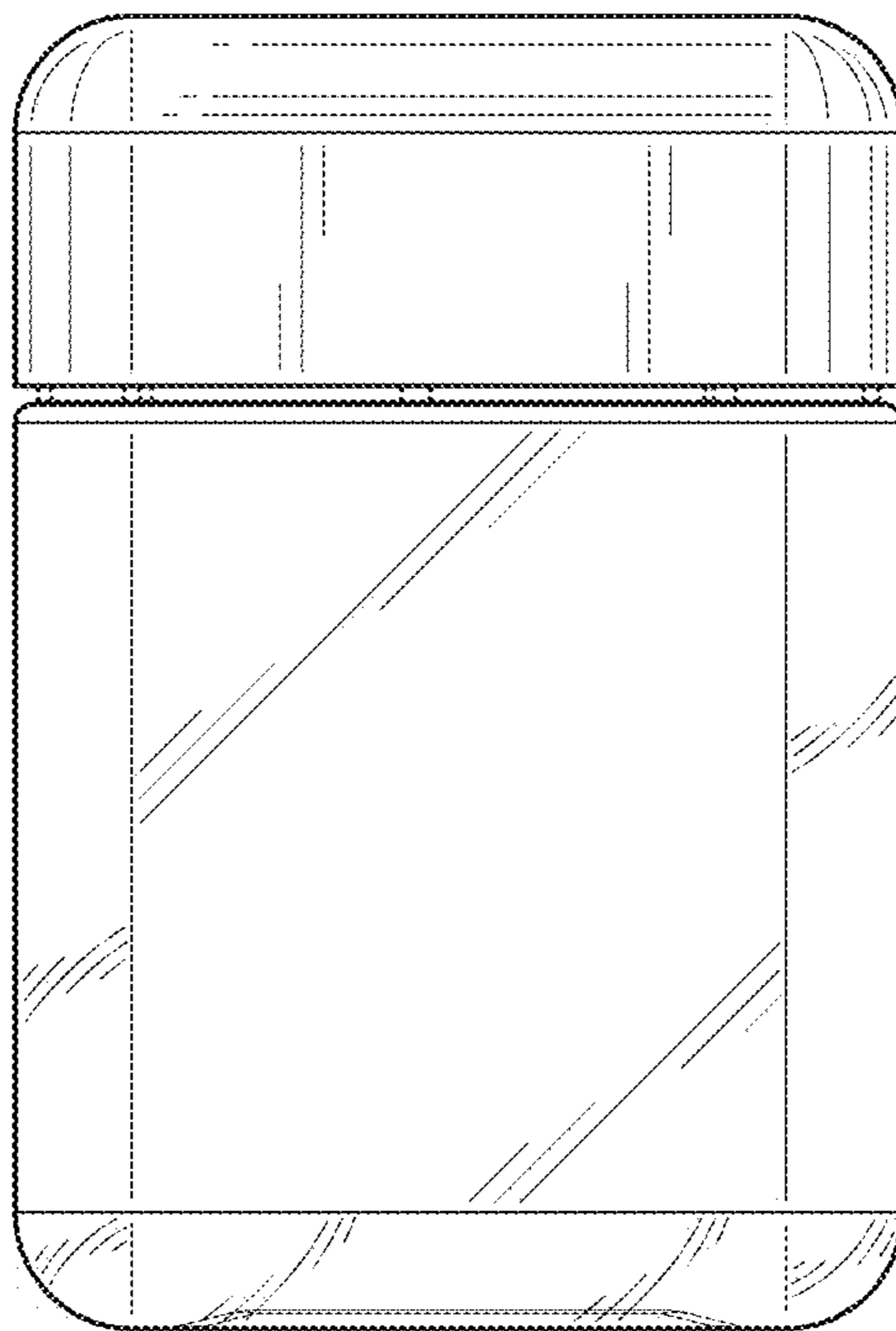


FIG. 14

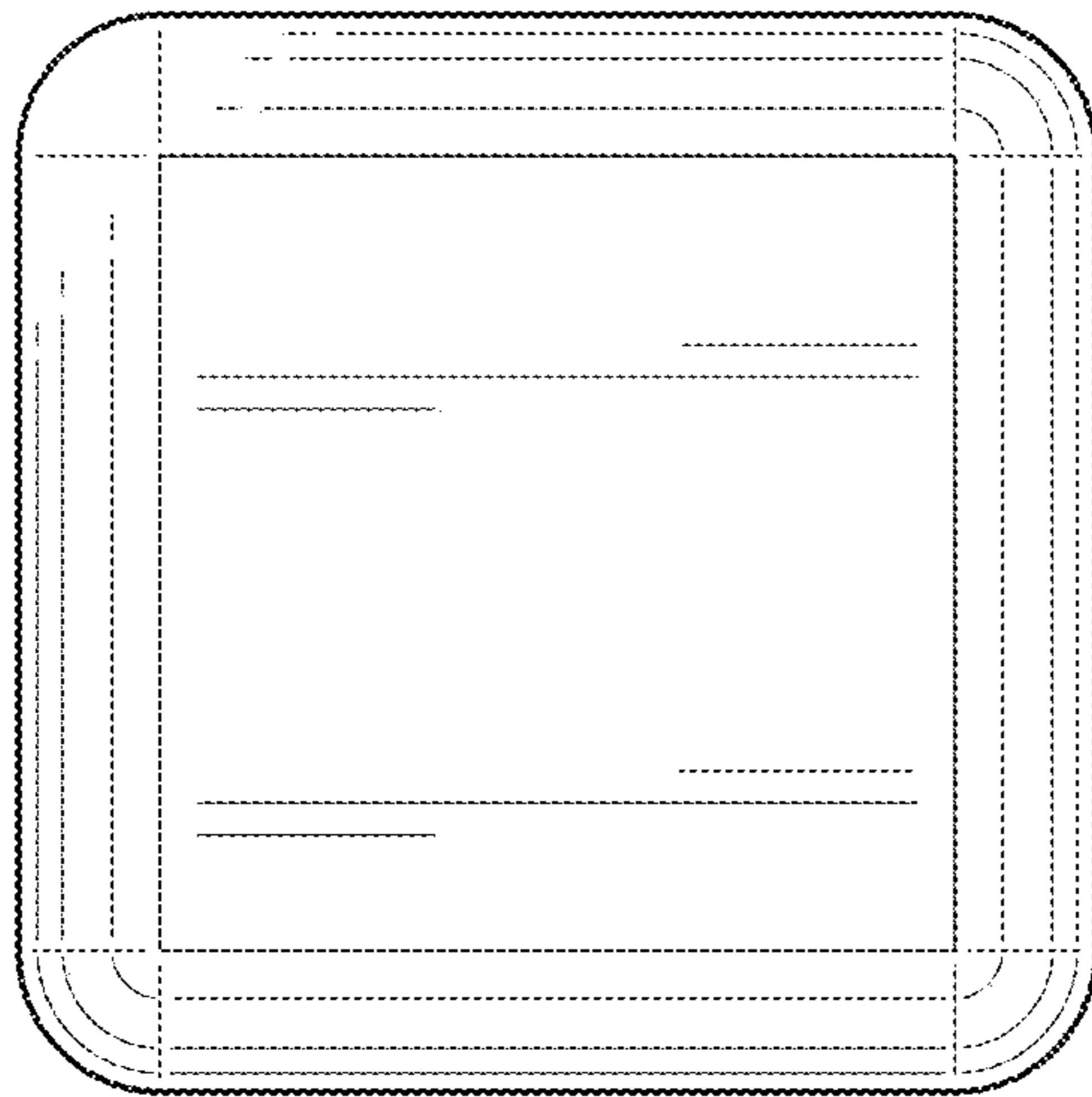


FIG. 15

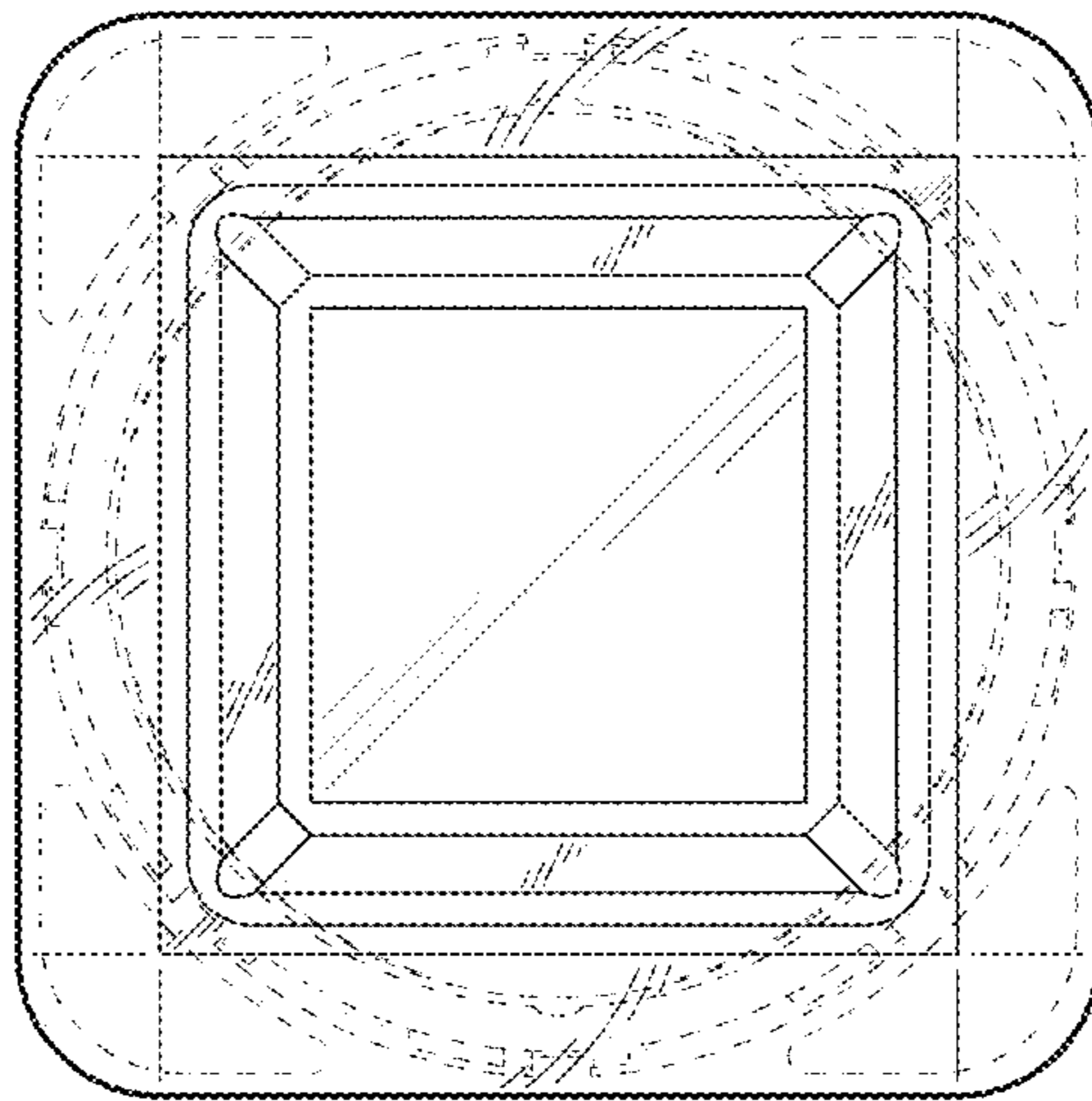


FIG. 16