



US00D878911S

(12) **United States Design Patent**
Cox

(10) **Patent No.:** **US D878,911 S**

(45) **Date of Patent:** **** Mar. 24, 2020**

(54) **LEASH COUPLER**

(71) Applicant: **Steven M Cox**, Livermore, CA (US)

(72) Inventor: **Steven M Cox**, Livermore, CA (US)

(**) Term: **15 Years**

(21) Appl. No.: **29/664,105**

(22) Filed: **Sep. 21, 2018**

(51) **LOC (12) Cl.** **08-08**

(52) **U.S. Cl.**
USPC **D8/382**; D30/153

(58) **Field of Classification Search**
USPC D8/382, 383, 354; D11/7, 86, 87, 88,
D11/184, 212; D3/215; D30/153
CPC .. A01K 27/001; A01K 27/002; A01K 27/003;
A01K 27/004; A01K 27/005
See application file for complete search history.

(56) **References Cited**

U.S. PATENT DOCUMENTS

- 1,284,972 A * 11/1918 Anthony G09F 3/14
40/665
- 1,651,081 A * 11/1927 Bardon F16G 11/14
294/74
- 2,612,139 A * 9/1952 Collins A01K 27/001
119/865
- 3,099,250 A * 7/1963 Soles, Jr. A01K 27/005
119/776
- 4,541,364 A * 9/1985 Contello A01K 27/005
119/772
- 4,694,544 A * 9/1987 Chapman F16B 21/065
24/625
- 5,103,771 A * 4/1992 Lee A01K 27/005
119/776
- 5,450,820 A * 9/1995 Kirsch A01K 27/005
119/865
- 5,704,100 A * 1/1998 Swan F16B 21/186
24/546

- 6,641,390 B2 * 11/2003 Genuise A45F 5/004
206/87
- D539,697 S * 4/2007 Mackay D11/200
- D572,170 S * 7/2008 Nielsen D11/207
- D676,734 S * 2/2013 Moreau D8/356
- 2001/0022160 A1 * 9/2001 Donze A01K 27/005
119/772
- 2004/0200435 A1 * 10/2004 Debien A01K 27/005
119/772

(Continued)

Primary Examiner — Sandra S Snapp

Assistant Examiner — Ieisha N Price

(74) *Attorney, Agent, or Firm* — Gerald R. Prettyman

(57) **CLAIM**

The ornamental design for a leash coupler, as shown and described.

DESCRIPTION

This application is related to U.S. Design Pat. No. 822, 916S1 titled Combination Leash and ID Tag filed Mar. 29, 2017; U.S. Design Pat. No. 823,559S1 titled Combination Leash and ID Tag filed Mar. 29, 2017; and to U.S. Utility application Ser. No. 15/959,098 titled Auto-Retracting Securable Leash with Pet ID Tag filed Apr. 20, 2018.

FIG. 1 is a perspective view of a leash coupler, showing my new design.

FIG. 2 is a perspective view thereof.

FIG. 3 is a front view thereof, the back view being a mirror image.

FIG. 4 is a left side view thereof, the right side view being a mirror image.

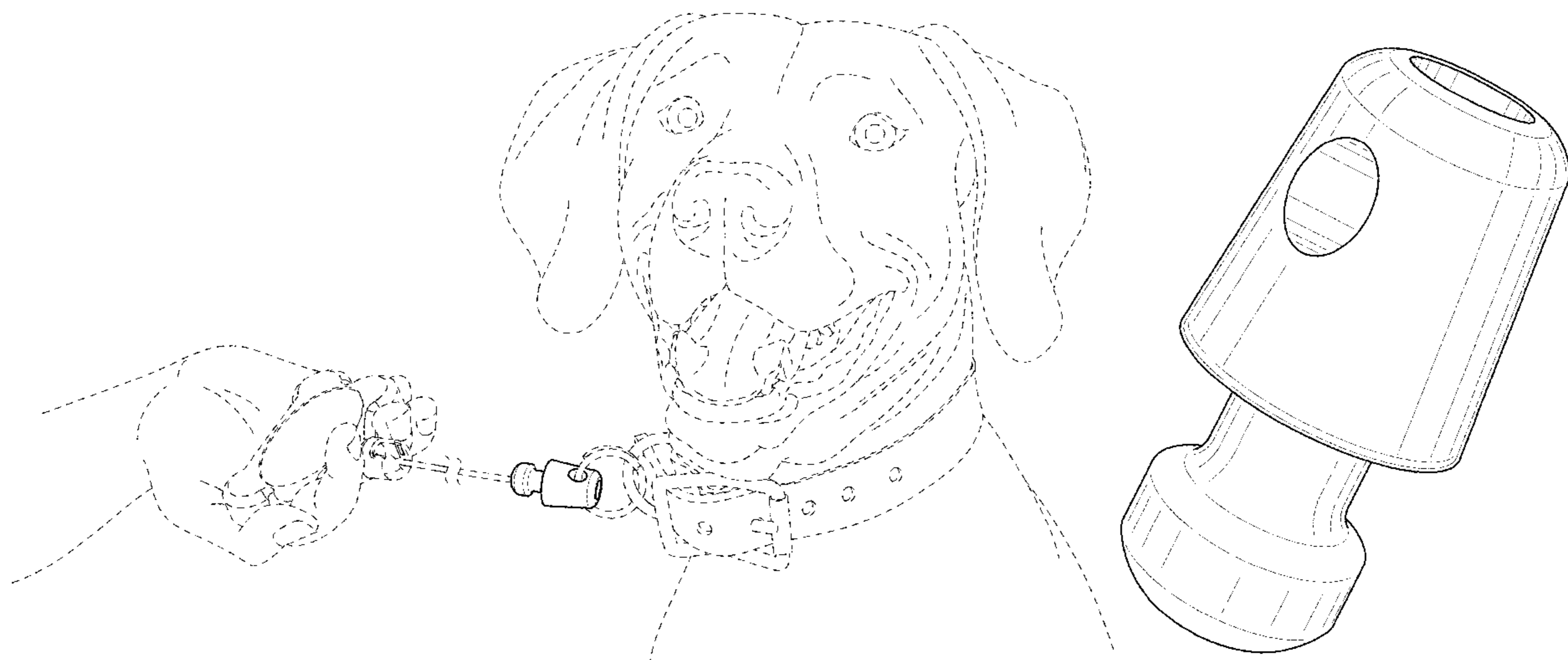
FIG. 5 is a section cut view taken along line 5-5 of FIG. 3.

FIG. 6 is a top view thereof; and,

FIG. 7 is a bottom view thereof.

The broken lines showing in FIG. 1 illustrates the environment of the claimed design and forms no part thereof.

1 Claim, 4 Drawing Sheets



(56)

References Cited

U.S. PATENT DOCUMENTS

2018/0303069 A1* 10/2018 Cox A01K 27/004
2019/0128375 A1* 5/2019 Benavidez F16G 11/14

* cited by examiner

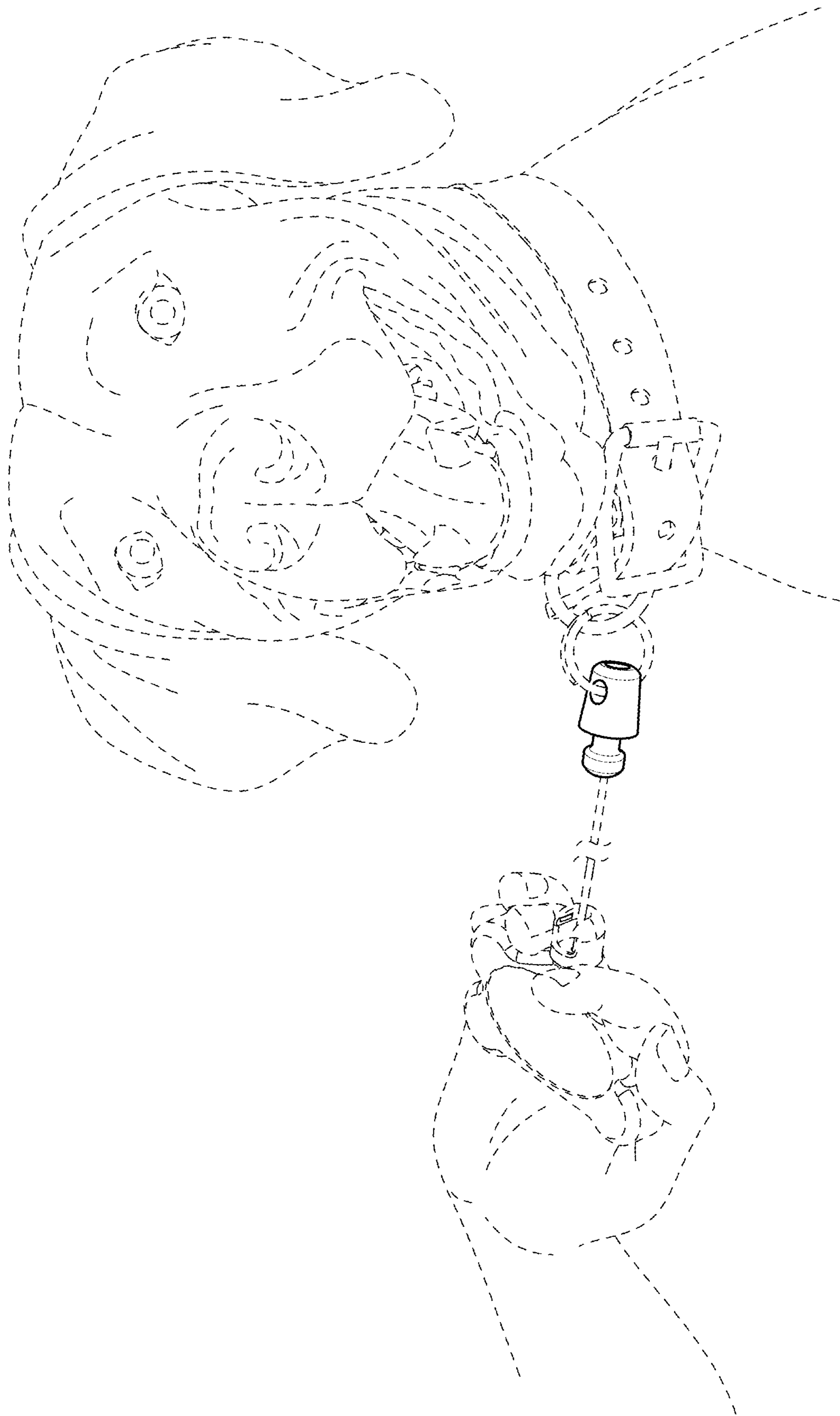


FIG. 1

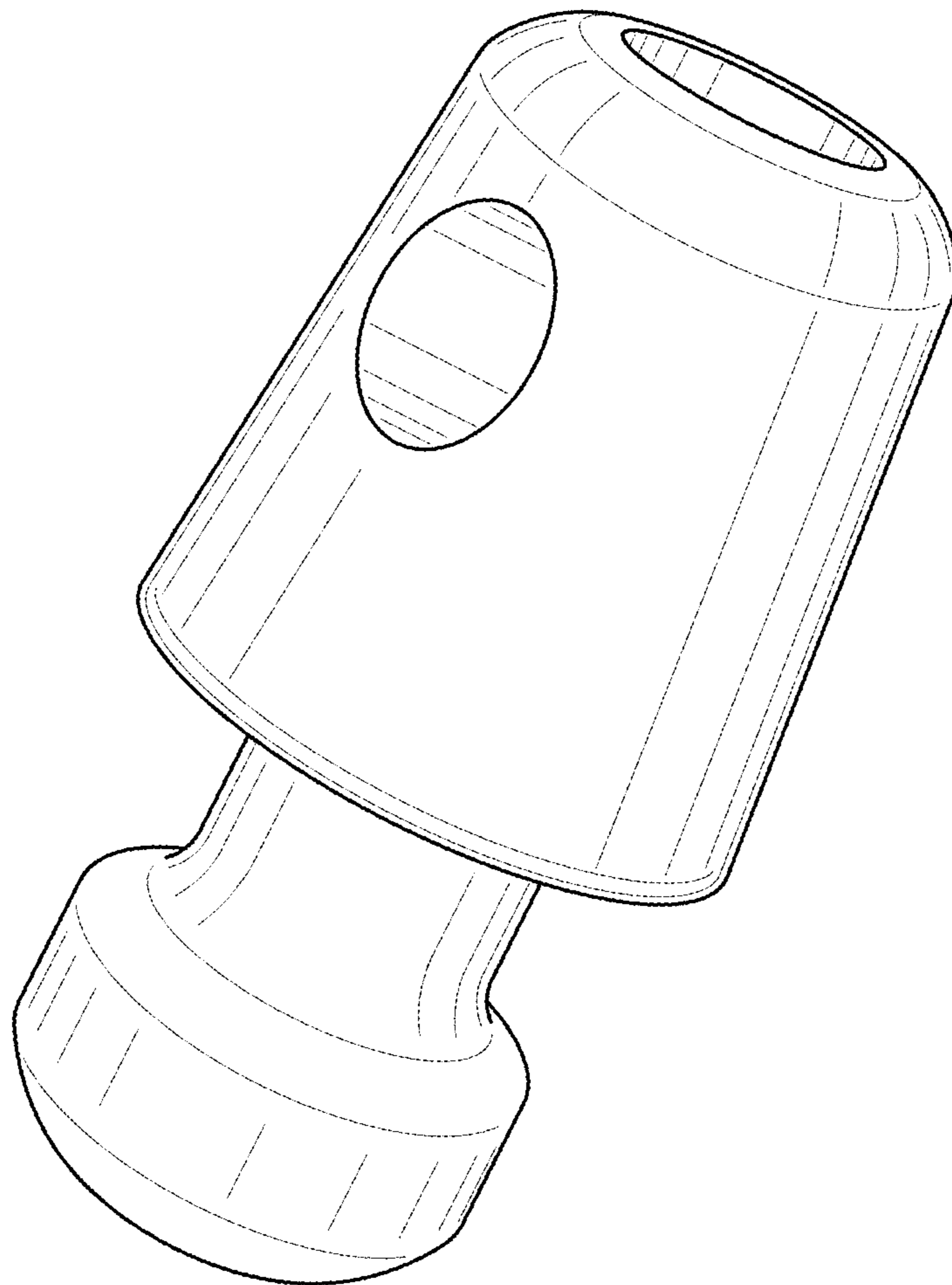


FIG. 2

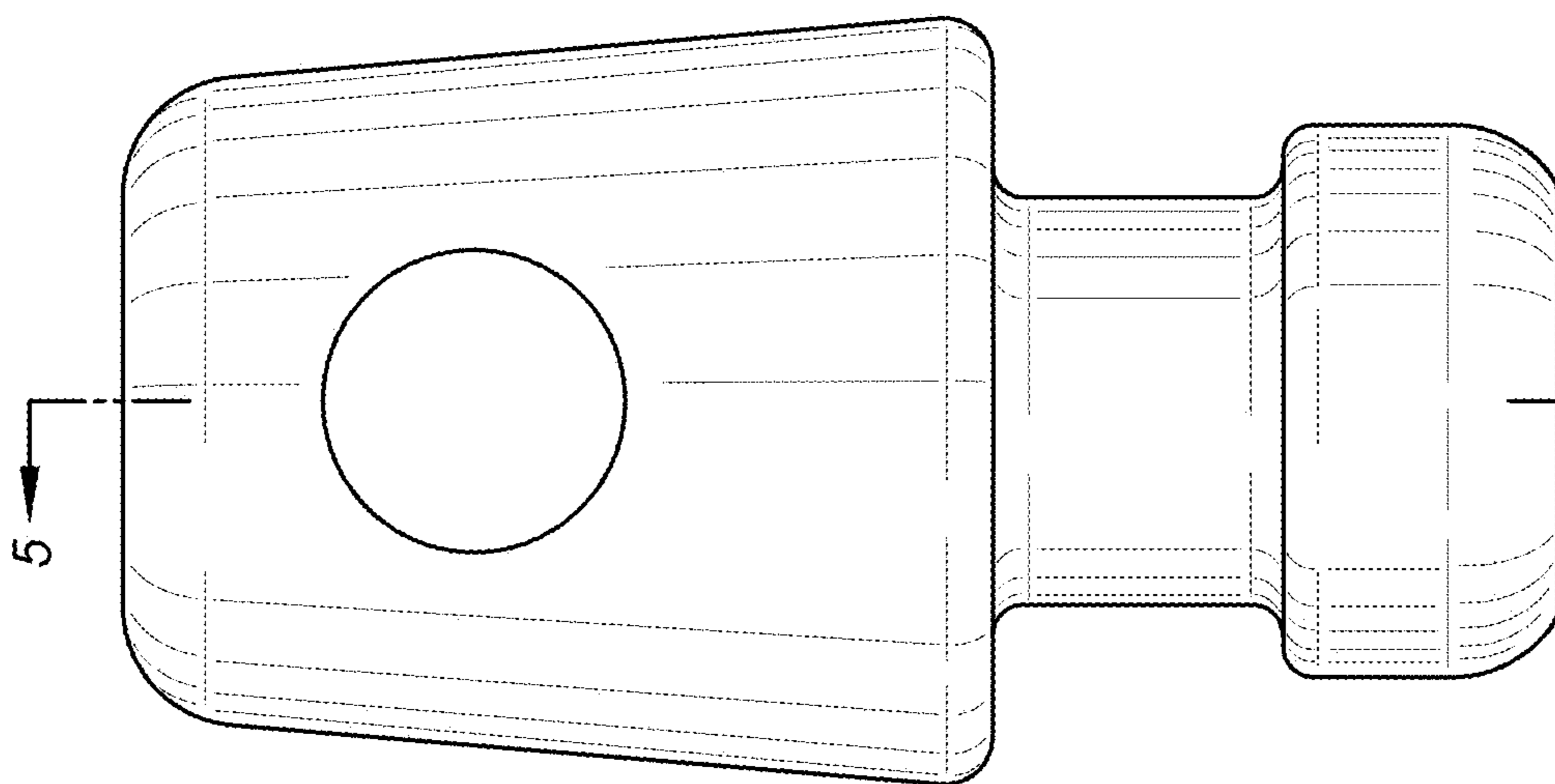


FIG. 3

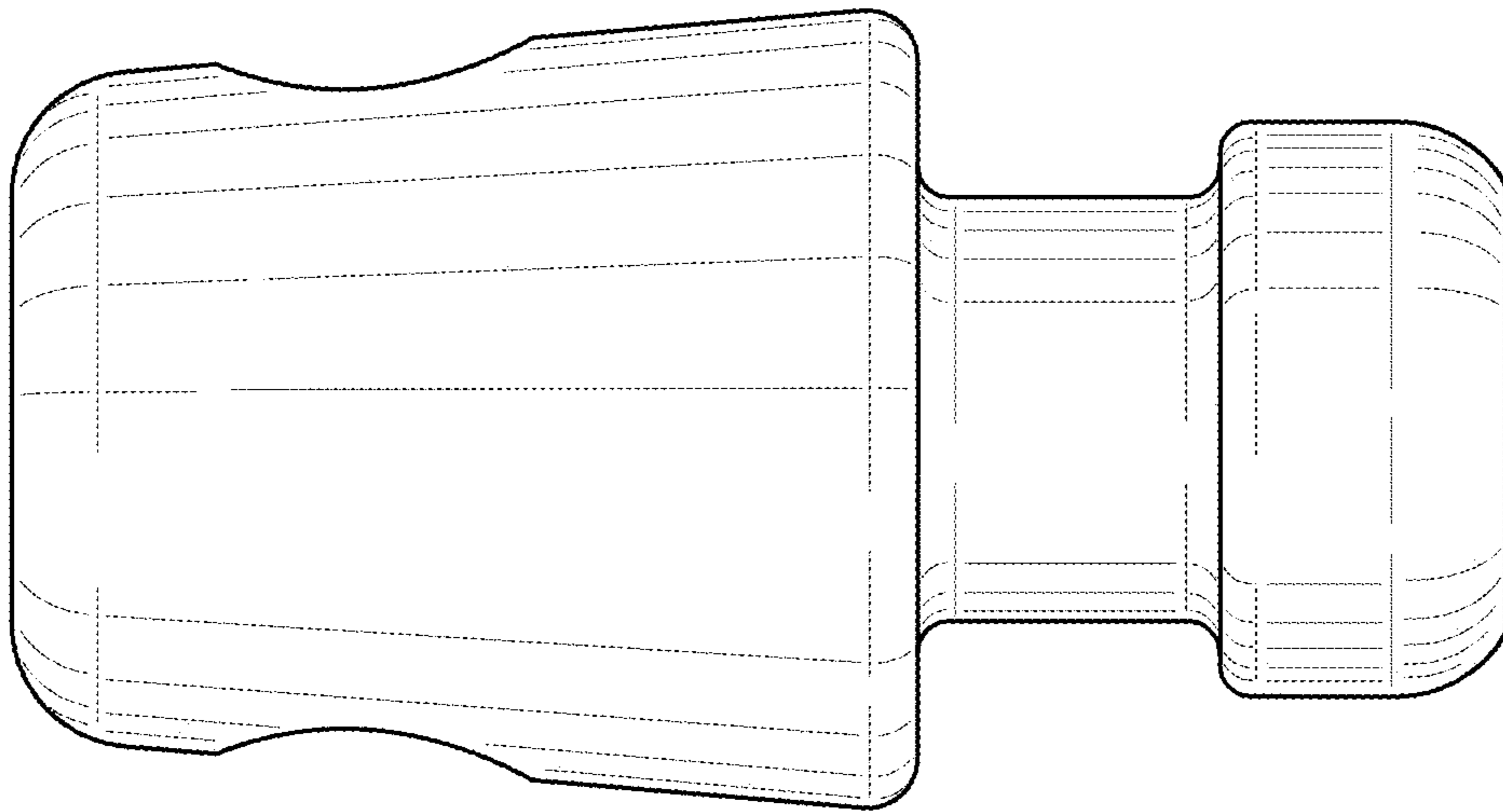


FIG. 4

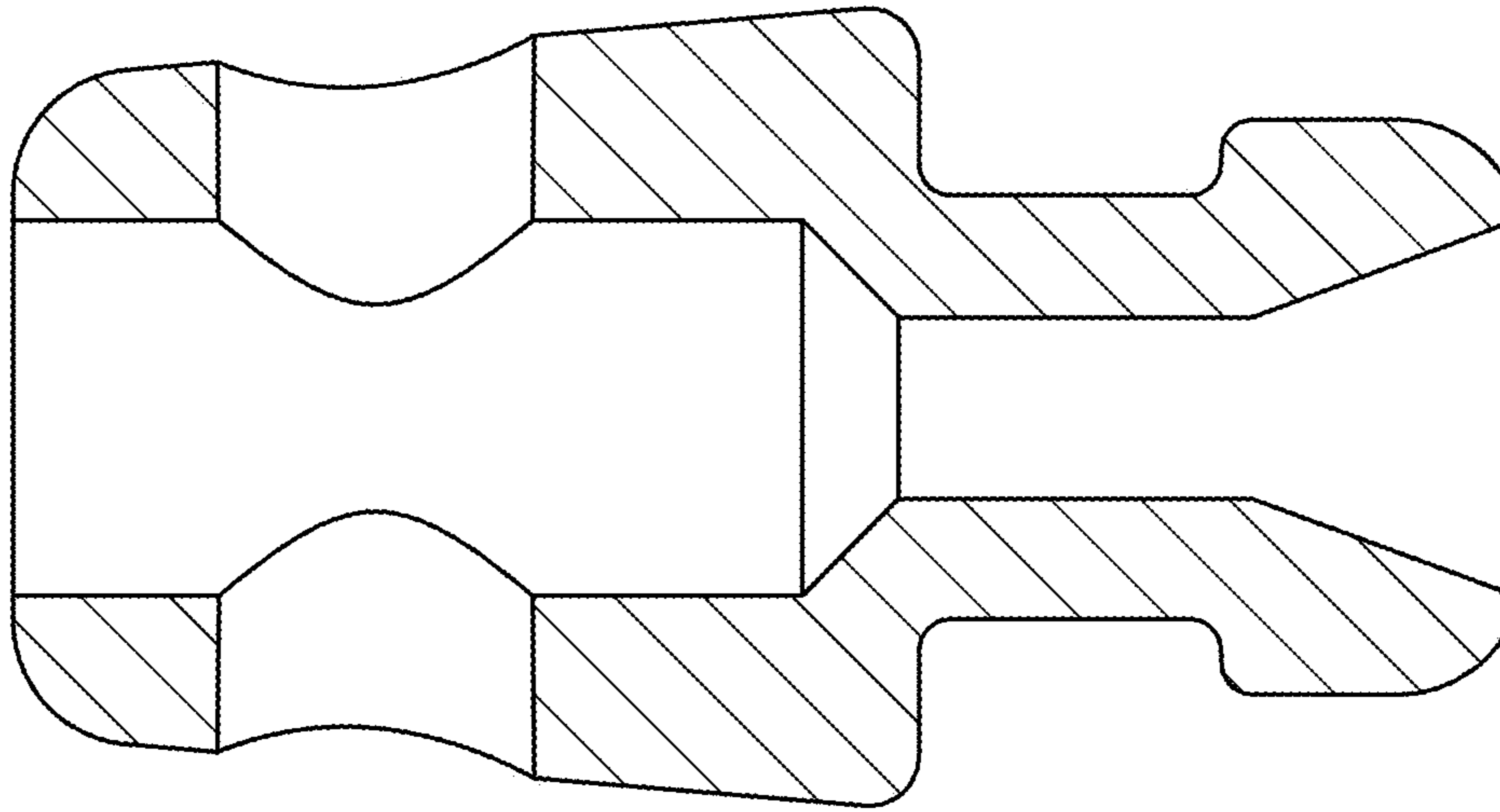


FIG. 5

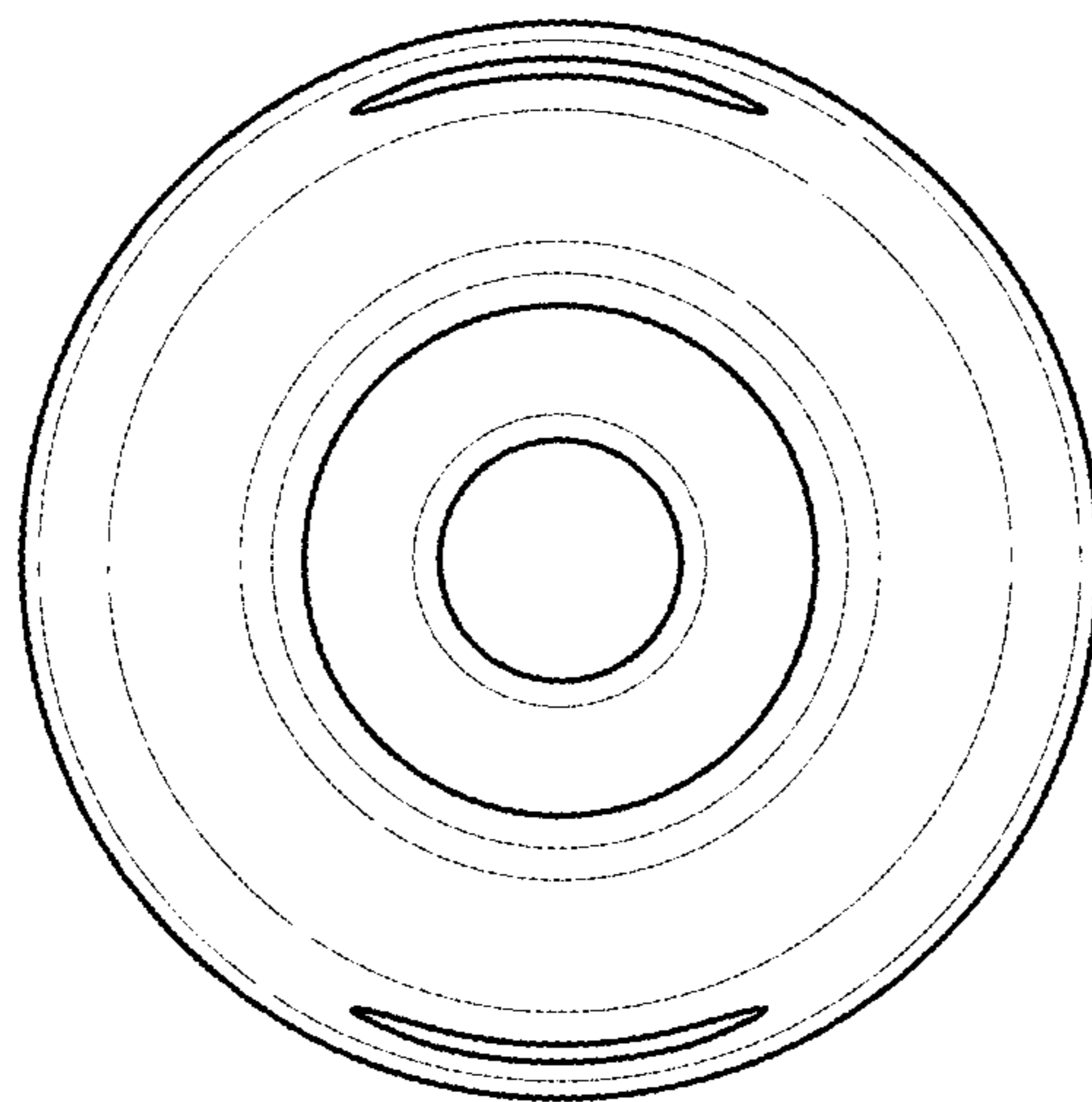


FIG. 6

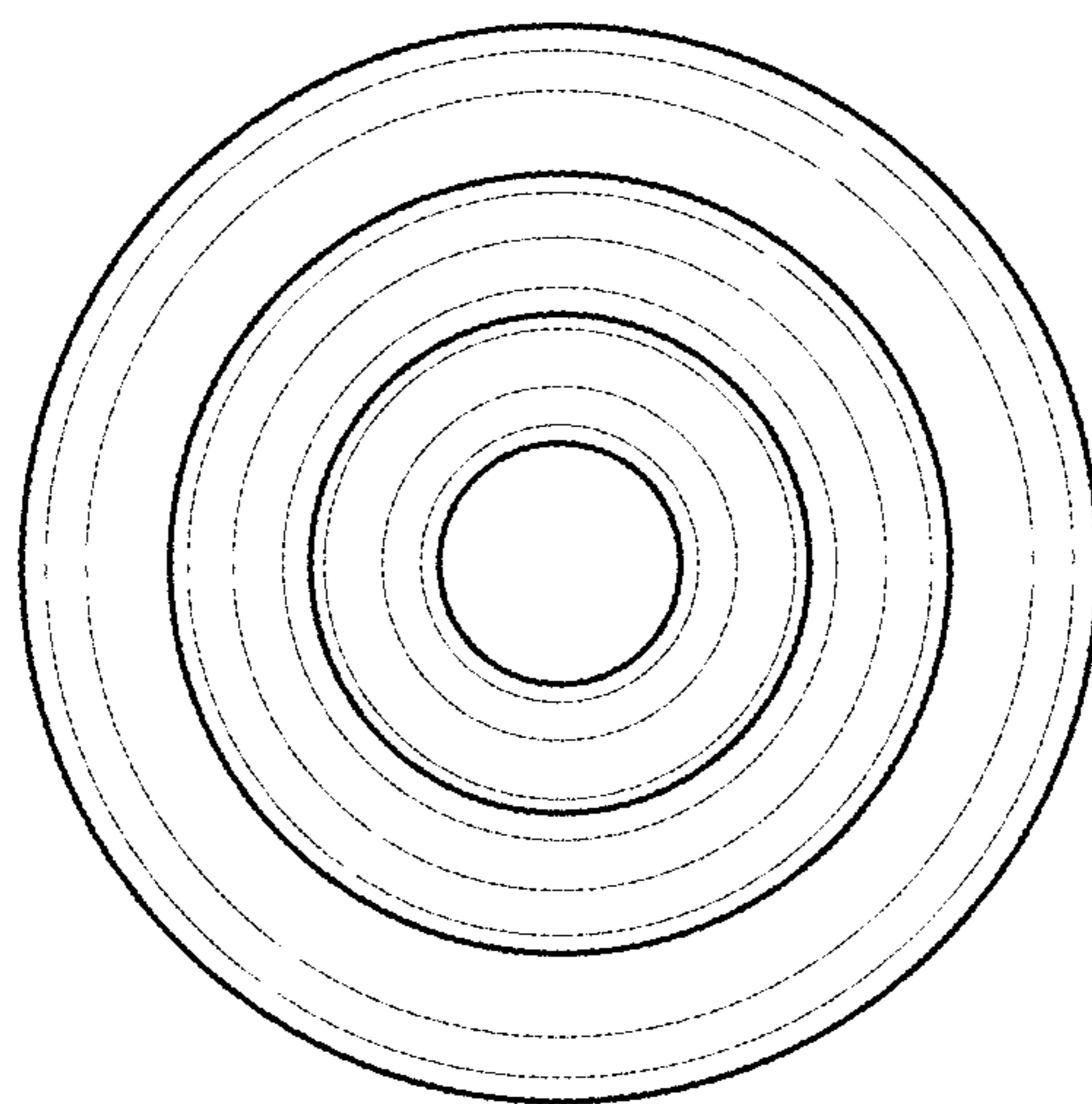


FIG. 7