



US00D878910S

(12) **United States Design Patent**  
**O'Neill et al.**

(10) **Patent No.:** **US D878,910 S**

(45) **Date of Patent:** **\*\* Mar. 24, 2020**

(54) **RETAINER DEVICE**

(71) Applicant: **PATRICKO, LLC**, Huntington Beach, CA (US)

(72) Inventors: **Patrick D. O'Neill**, Huntington Beach, CA (US); **Robert O'Neill**, Irvine, CA (US); **Joshua Cantor**, Laguna Beach, CA (US)

(73) Assignee: **Patricko, LLC**, Huntington Beach, CA (US)

(\*\*) Term: **15 Years**

(21) Appl. No.: **29/703,997**

(22) Filed: **Aug. 30, 2019**

(51) **LOC (12) Cl.** ..... **08-05**

(52) **U.S. Cl.**  
USPC ..... **D8/367; D8/356**

(58) **Field of Classification Search**  
USPC ..... D8/356, 367, 354, 349  
CPC ..... F16L 3/13; F16L 3/26; A47G 23/0225;  
A47G 25/06; A47G 1/16; A47F 5/0846;  
D06F 55/00; E04H 17/10; H02G 11/003  
See application file for complete search history.

(56) **References Cited**

**U.S. PATENT DOCUMENTS**

1,649,655	A *	11/1927	Benson	.....	B66C 1/36 24/598.1
2,461,201	A	2/1949	Ellis		
D234,946	S *	4/1975	Fredriksson	.....	D8/367
D244,585	S *	6/1977	Jonsson	.....	D8/367
D348,214	S	6/1994	Girardin		
D475,591	S *	6/2003	Luquire	.....	D8/34
D527,723	S	9/2006	Andre et al.		
7,594,305	B2	9/2009	Moore		
D608,187	S	1/2010	Baron		
7,650,007	B2	1/2010	Juliis et al.		

D625,988	S	10/2010	Chan		
8,208,978	B2	6/2012	Stiehl et al.		
9,164,543	B2	10/2015	Minn et al.		
D745,377	S *	12/2015	Ressler	.....	D8/367
D750,822	S *	3/2016	Hernandez	.....	D26/38
D757,513	S *	5/2016	Heins	.....	D8/40
D758,307	S *	6/2016	Stump	.....	D13/108
D773,911	S *	12/2016	Louis	.....	D8/34
D809,370	S	2/2018	Tang		
9,999,292	B1	6/2018	Rainsong		

(Continued)

*Primary Examiner* — Cynthia R Underwood

(74) *Attorney, Agent, or Firm* — Knobbe Martens Olson & Bear LLP

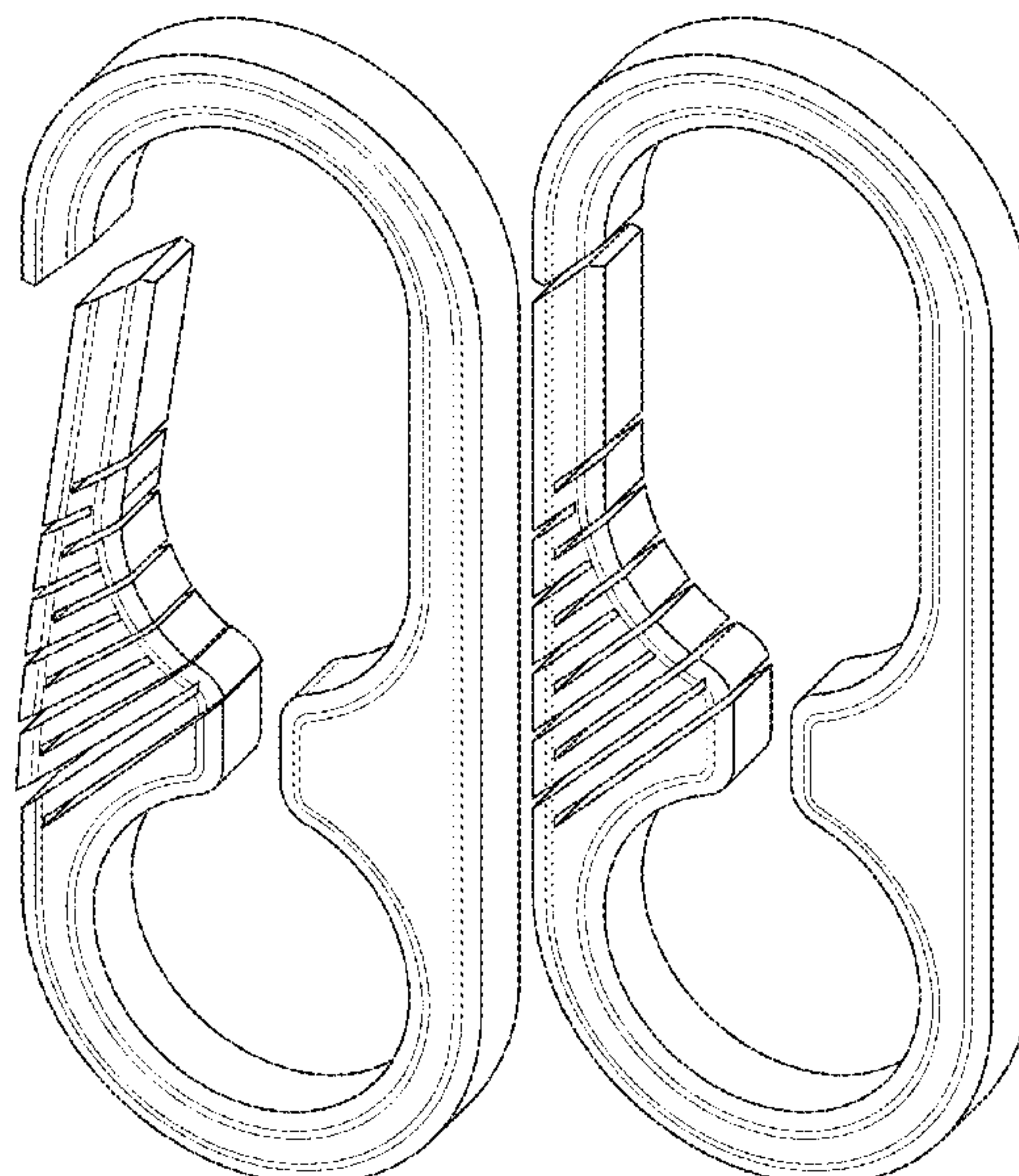
(57) **CLAIM**

The ornamental design for a retainer device, as shown and described.

**DESCRIPTION**

FIG. 1 is a top, front, left-side perspective view of a retainer device embodying our design in a first state;  
 FIG. 2 is a bottom, rear, left-side perspective view thereof;  
 FIG. 3 is a front elevation view thereof;  
 FIG. 4 is a rear elevation view thereof;  
 FIG. 5 is a right-side elevation view thereof;  
 FIG. 6 is a left-side elevation view thereof;  
 FIG. 7 is a top plan view thereof; and  
 FIG. 8 is a bottom plan view thereof.  
 FIG. 9 is a top, front, left-side perspective view of a retainer device embodying our design in a second state;  
 FIG. 10 is a bottom, rear, left-side perspective view thereof;  
 FIG. 11 is a front elevation view thereof;  
 FIG. 12 is a rear elevation view thereof;  
 FIG. 13 is a right-side elevation view thereof;  
 FIG. 14 is a left-side elevation view thereof;  
 FIG. 15 is a top plan view thereof; and  
 FIG. 16 is a bottom plan view thereof.

**1 Claim, 6 Drawing Sheets**



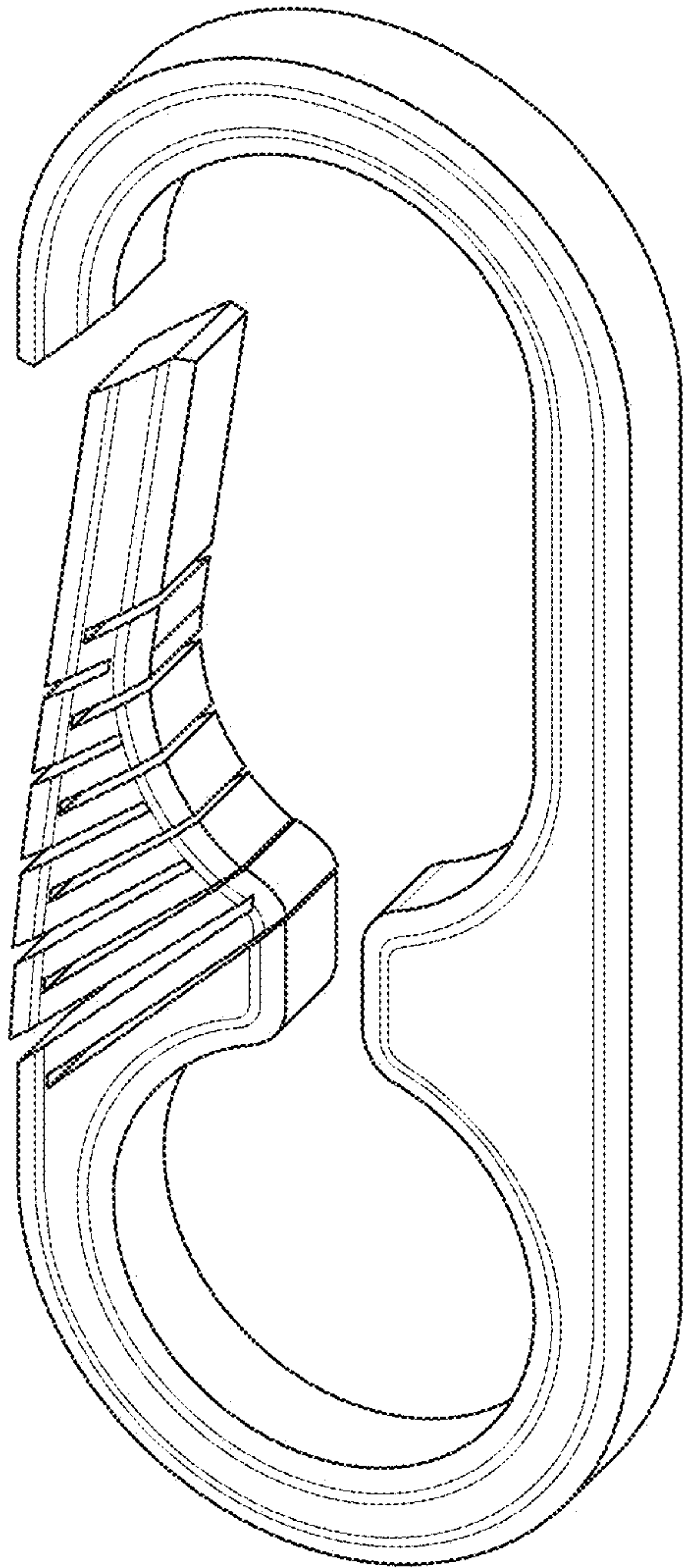
(56)

**References Cited**

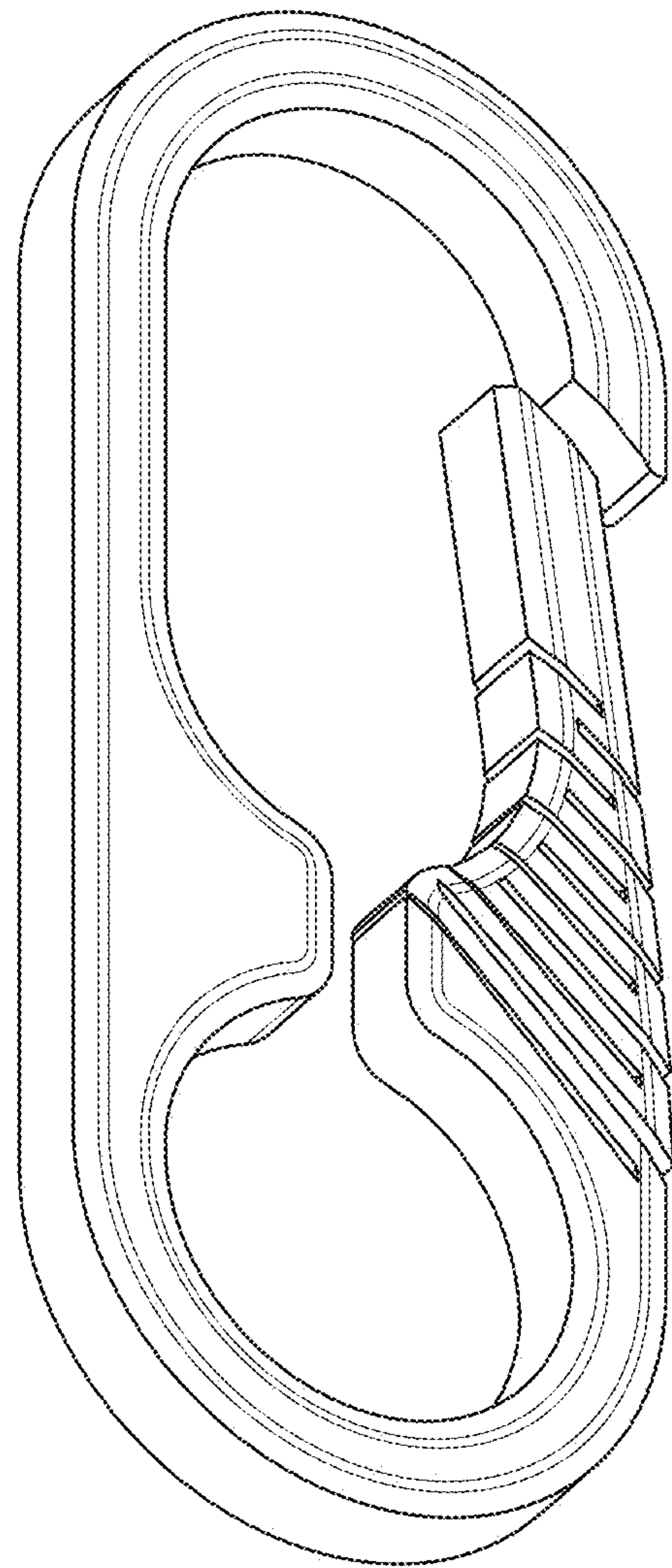
U.S. PATENT DOCUMENTS

D844,782 S \* 4/2019 Arora ..... D24/130  
D850,227 S \* 6/2019 Spater ..... D8/34  
D865,494 S \* 11/2019 Adelman ..... D8/367  
2009/0158899 A1\* 6/2009 Eisenbraun ..... A45C 15/00  
81/3.09  
2017/0251088 A1 8/2017 Rosales

\* cited by examiner

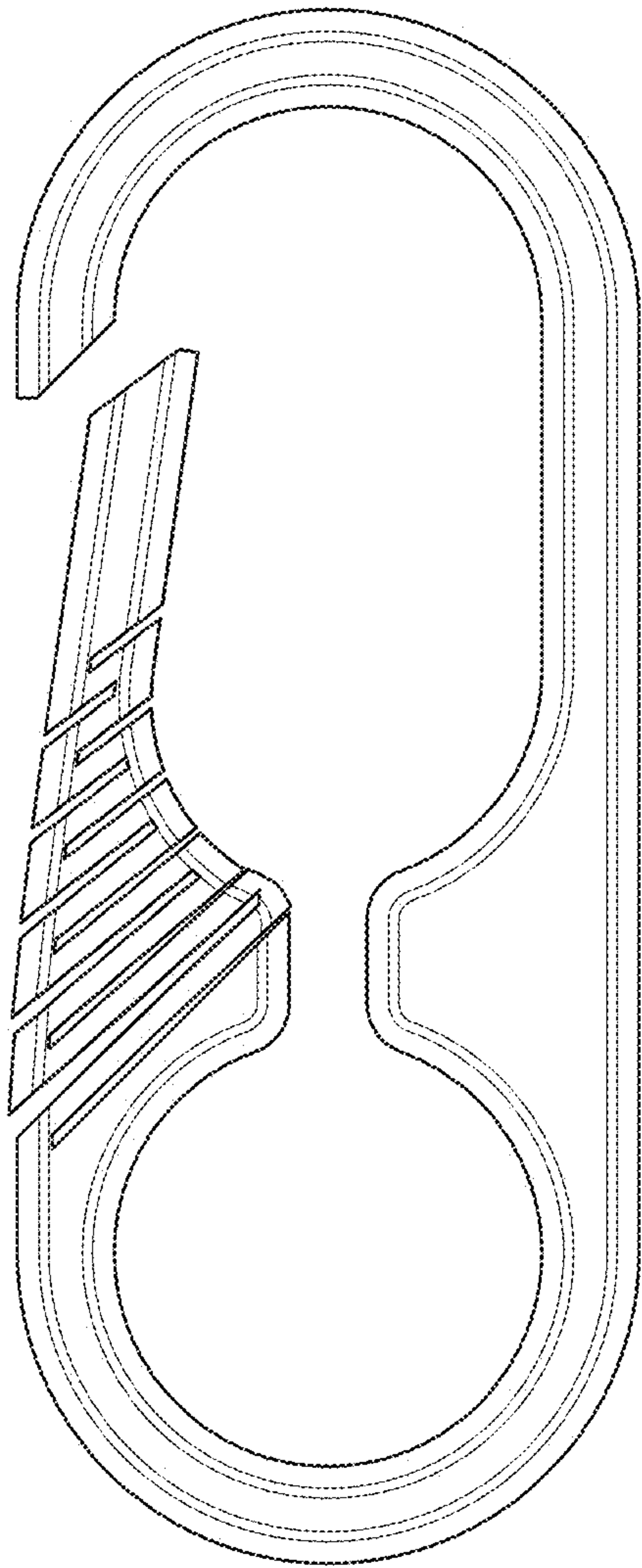


*FIG. 1*

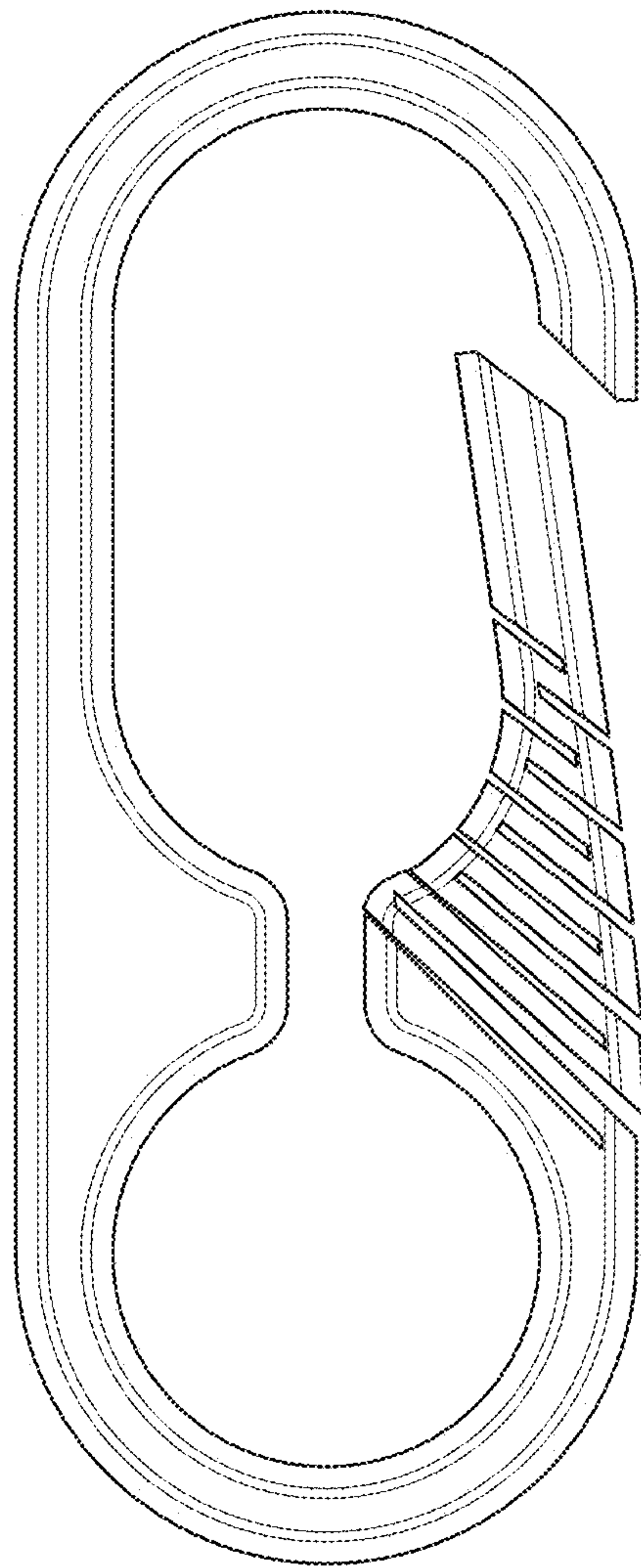


*FIG. 2*

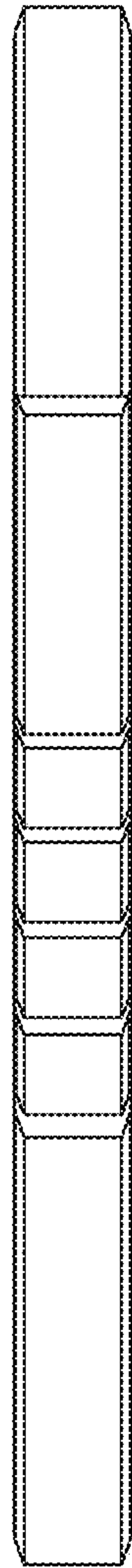




*FIG. 3*



*FIG. 4*



*FIG. 5*



*FIG. 6*



*FIG. 7*



*FIG. 8*

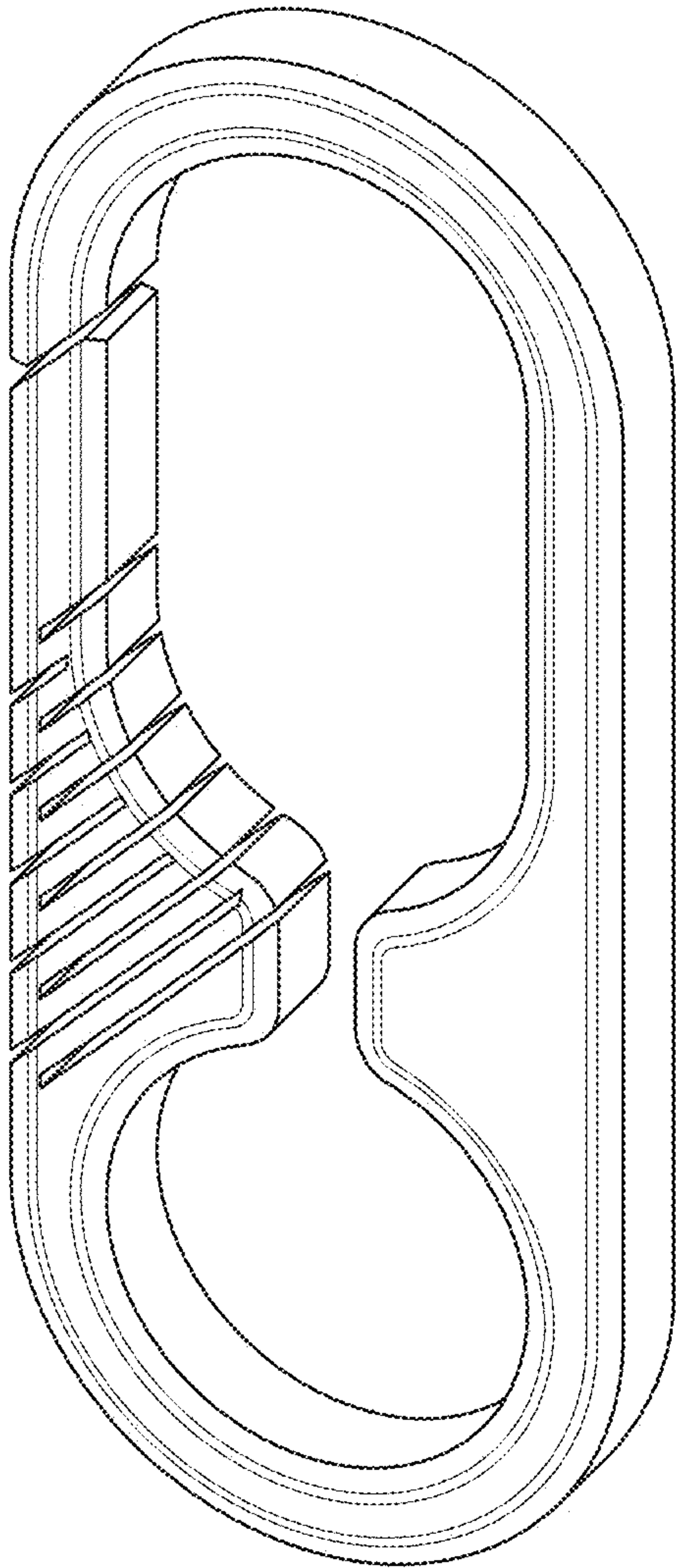


FIG. 9

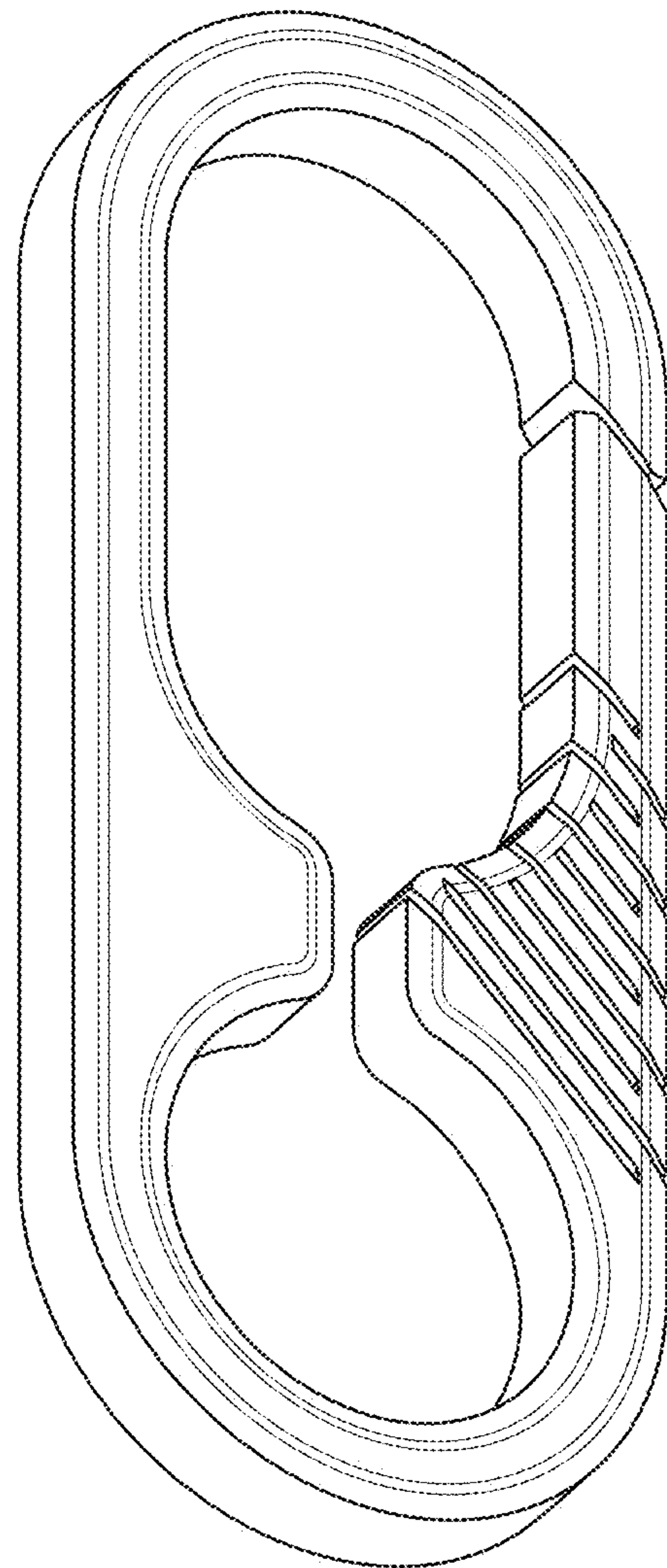
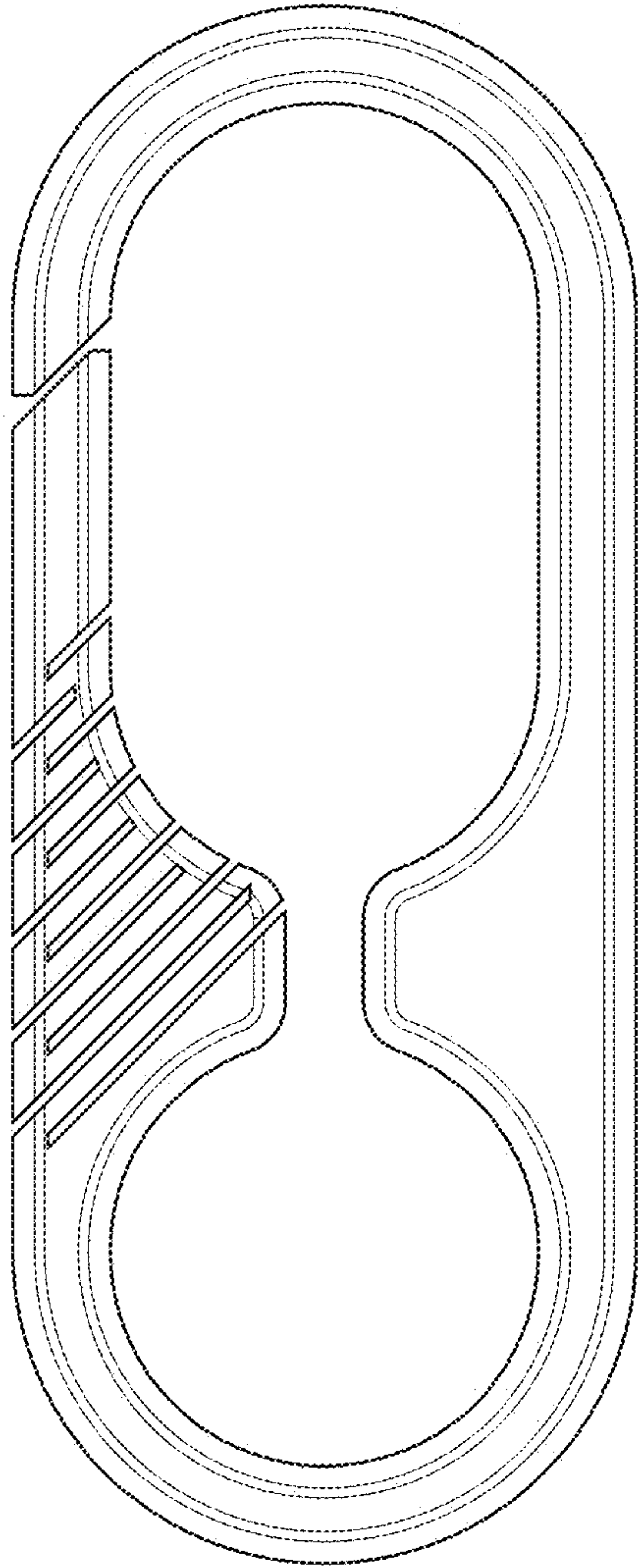
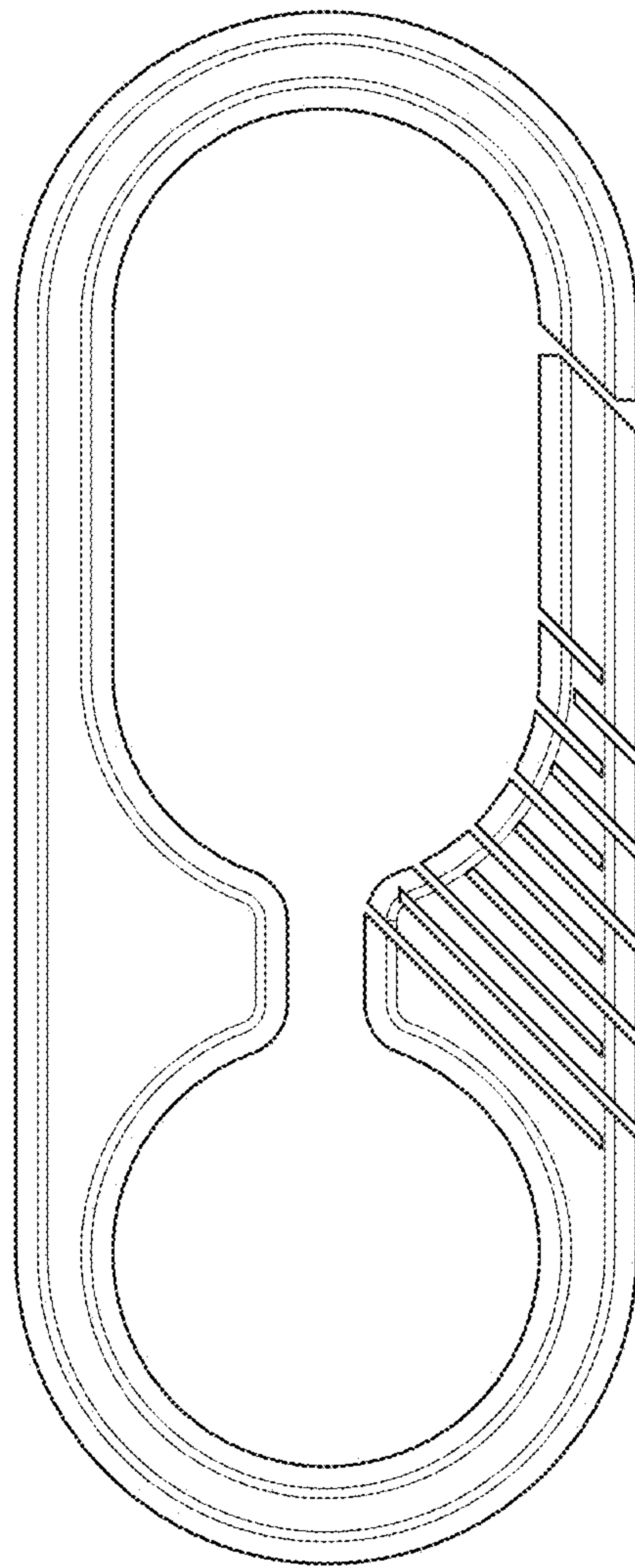


FIG. 10

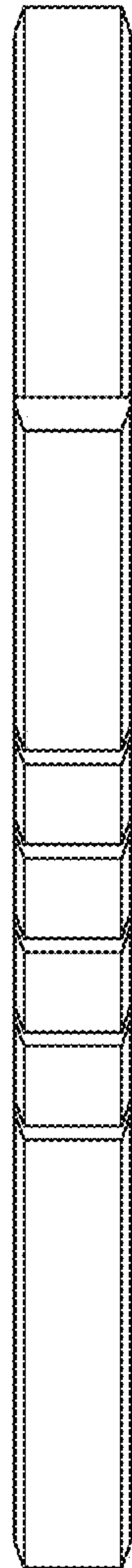


*FIG. 11*



*FIG. 12*





*FIG. 13*



*FIG. 14*



*FIG. 15*



*FIG. 16*