

US00D878909S

(12) **United States Design Patent**  
**Krake et al.**

(10) **Patent No.:** **US D878,909 S**

(45) **Date of Patent:** **\*\* Mar. 24, 2020**

(54) **HANGER**

3,768,767 A 10/1973 Dobkowski  
4,314,429 A 2/1982 Casteel et al.  
4,337,915 A 7/1982 Cali

(Continued)

(71) Applicant: **UNDER THE ROOF DECORATING INC.,** Calgary (CA)

(72) Inventors: **Kelly Krake,** Calgary (CA); **Liette Tousignant,** Calgary (CA); **Michael Kurtz,** Calgary (CA); **Ian Matthew Campana,** Calgary (CA)

**OTHER PUBLICATIONS**

Brick Clip, Lee Valley, from the Internet <http://www.leevalley.com/us/gifts/page.aspx?p=10437&cat=53209&ap=4>.

(Continued)

(73) Assignee: **UNDER THE ROOF DECORATING INC.,** Calgary (CA)

*Primary Examiner* — Cynthia R Underwood

(74) *Attorney, Agent, or Firm* — Norton Rose Fulbright Canada LLP; Alexandre Daoust

(\*\*) Term: **15 Years**

(57) **CLAIM**

(21) Appl. No.: **29/665,613**

The ornamental design for a hanger, as shown and described.

(22) Filed: **Oct. 5, 2018**

**DESCRIPTION**

(30) **Foreign Application Priority Data**

Apr. 8, 2018 (CN) ..... 2018 3 0137946

Apr. 8, 2018 (CN) ..... 2018 3 0137948

(51) **LOC (12) Cl.** ..... **08-05**

(52) **U.S. Cl.**  
USPC ..... **D8/367**

(58) **Field of Classification Search**  
USPC ..... D8/367, 356, 354, 349, 18, 105, 368,  
D8/397; D11/208, 218; 248/341;  
224/217

CPC ..... A45F 5/021; A44B 13/0029; F16B 45/00;  
F16M 13/02; A45C 13/03

See application file for complete search history.

FIG. 1 is an oblique perspective view of an hanger showing our new design, in accordance with one embodiment; FIG. 2 is a front elevation view thereof; FIG. 3 is a left side elevation view thereof; FIG. 4 is a right side elevation view thereof; FIG. 5 is a rear elevation view thereof; FIG. 6 is a top plan view thereof; and FIG. 7 is a bottom plan thereof; FIG. 8 is an oblique perspective view of an hanger showing our new design, in accordance with another embodiment; FIG. 9 is a front elevation view thereof; FIG. 10 is a left side elevation view thereof; FIG. 11 is a right side elevation view thereof; FIG. 12 is a rear elevation view thereof; FIG. 13 is a top plan view thereof; and, FIG. 14 is a bottom plan thereof.

In all figures, solid line shading is used to better illustrate the three-dimensional ornamental features of the design.

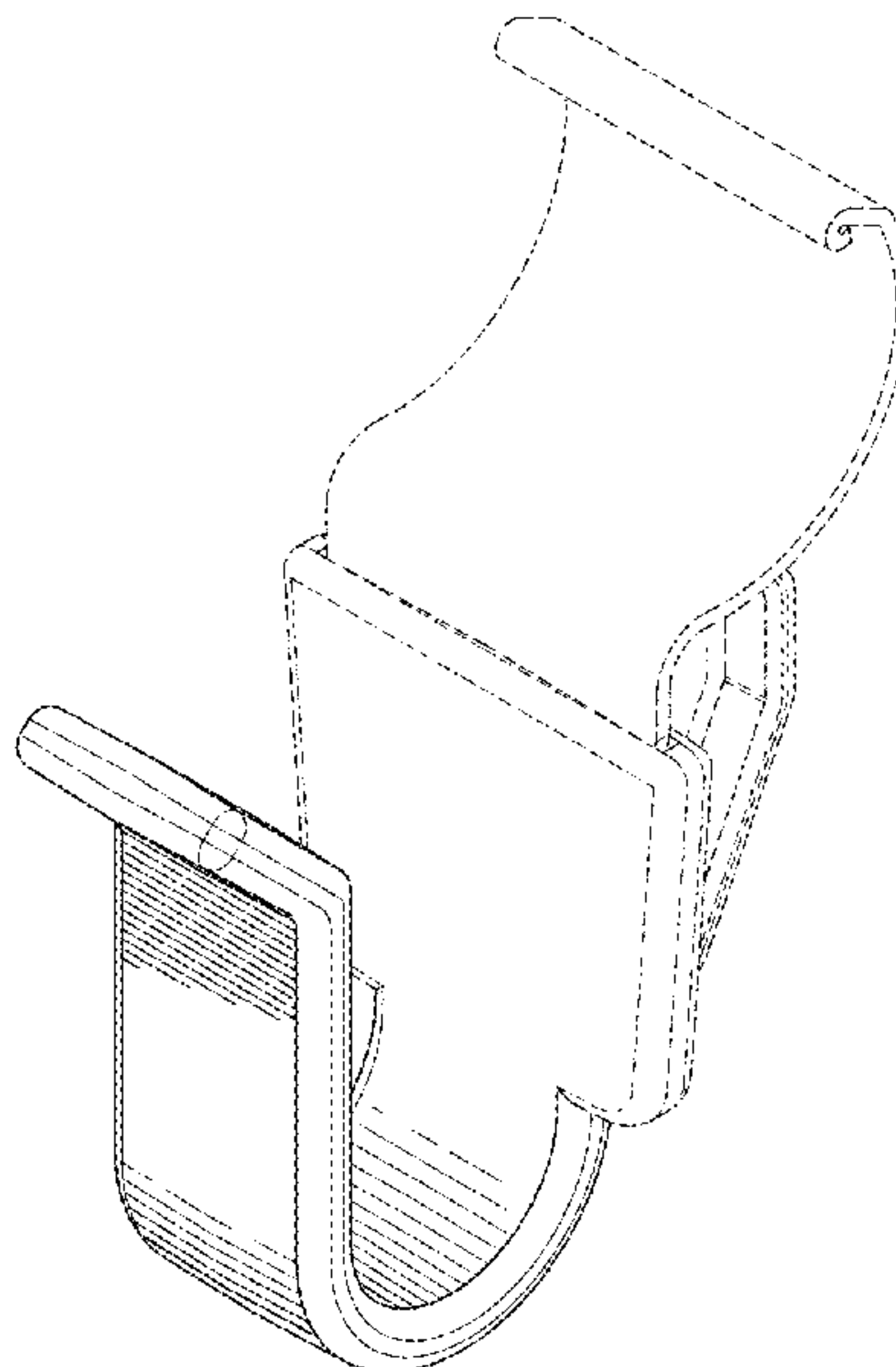
The lightweight broken lines are included to show unclaimed subject matter and to delimit claimed solid line portions of the design from unclaimed subject-matter.

(56) **References Cited**

**U.S. PATENT DOCUMENTS**

1,035,740 A 8/1912 Raes  
1,439,302 A 12/1922 Erickson  
1,745,814 A 2/1930 Pendleton

**1 Claim, 8 Drawing Sheets**



(56)

References Cited

U.S. PATENT DOCUMENTS

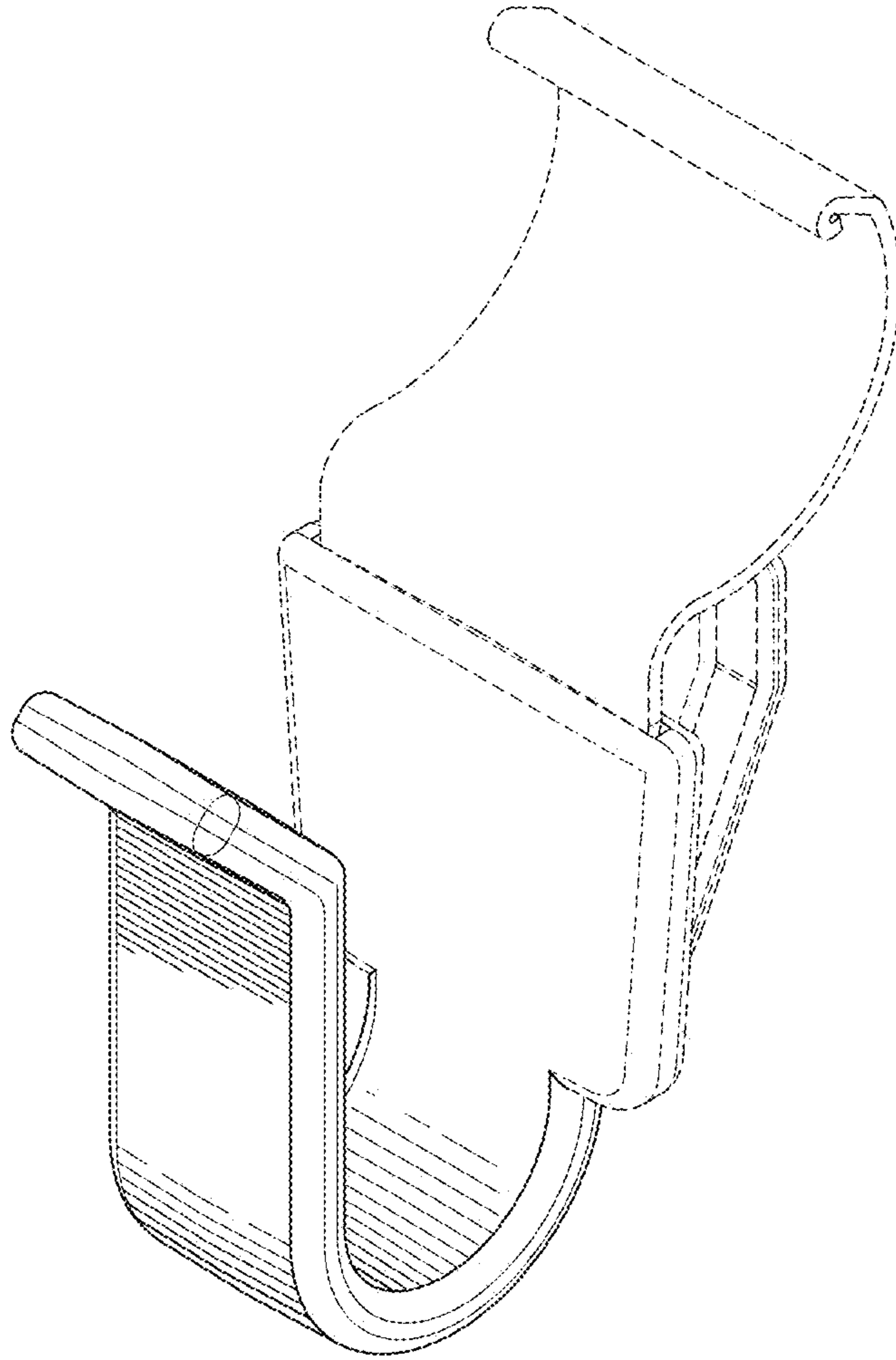
4,771,974 A 9/1988 Carlson  
 4,872,629 A 10/1989 Cothran et al.  
 D312,038 S 11/1990 Sachs  
 5,022,623 A 6/1991 Laarman  
 5,267,719 A 12/1993 Keller  
 D348,213 S \* 6/1994 Moliner ..... D8/367  
 D349,040 S \* 7/1994 Moliner ..... D8/367  
 D349,447 S \* 8/1994 Daniller ..... D8/367  
 D373,948 S 9/1996 Etzel et al.  
 5,560,574 A 10/1996 Vanderploeg  
 6,273,380 B1 8/2001 Fillipp et al.  
 6,375,137 B1 4/2002 McQuade et al.  
 6,497,396 B1 12/2002 Adams  
 6,932,310 B1 8/2005 Diss  
 7,175,143 B1 2/2007 Ho  
 7,287,354 B2 10/2007 Rivers et al.  
 7,357,364 B2 4/2008 Jackson et al.  
 D597,400 S \* 8/2009 Matejcik ..... D8/367  
 D606,848 S \* 12/2009 Jimenez ..... D8/395  
 D613,589 S \* 4/2010 Goodman ..... D8/367  
 7,823,853 B2 11/2010 Larson et al.  
 D647,389 S \* 10/2011 Gracia ..... D8/367

D695,098 S \* 12/2013 Hobson ..... D8/395  
 D714,623 S \* 10/2014 Pan ..... D8/367  
 D762,456 S 8/2016 Lo et al.  
 D769,700 S \* 10/2016 Chinchon ..... D8/356  
 D817,830 S \* 5/2018 Archambault ..... D12/190  
 D849,516 S \* 5/2019 Johnson ..... D8/367  
 D865,498 S \* 11/2019 Krake ..... D8/367  
 D865,499 S \* 11/2019 Krake ..... D8/367  
 2003/0189144 A1 10/2003 Byrne  
 2010/0155557 A1 6/2010 Carty

OTHER PUBLICATIONS

Hillman Brick/Block Hangers, from the Internet [https://www.lowes.ca/picture-hangers/the-hillman-group-brickblock-hangers\\_g1496778.html](https://www.lowes.ca/picture-hangers/the-hillman-group-brickblock-hangers_g1496778.html).  
 Brick Hook Hanger Bric Crab, from the Internet <https://ozdingo.com.au/products/brick-hook-hanger>.  
 Brick Hangers-Set of 4, from the Internet <https://www.improvementscatalog.com/brick-hangers-set-of-4/10098>.  
 Big Green Leaf Brick Utility Hook 3 95, from the Internet <https://www.pinterest.ca/pin/8373949281112597/> (Sara Clark Partyka's Page).

\* cited by examiner



*FIG. 1*

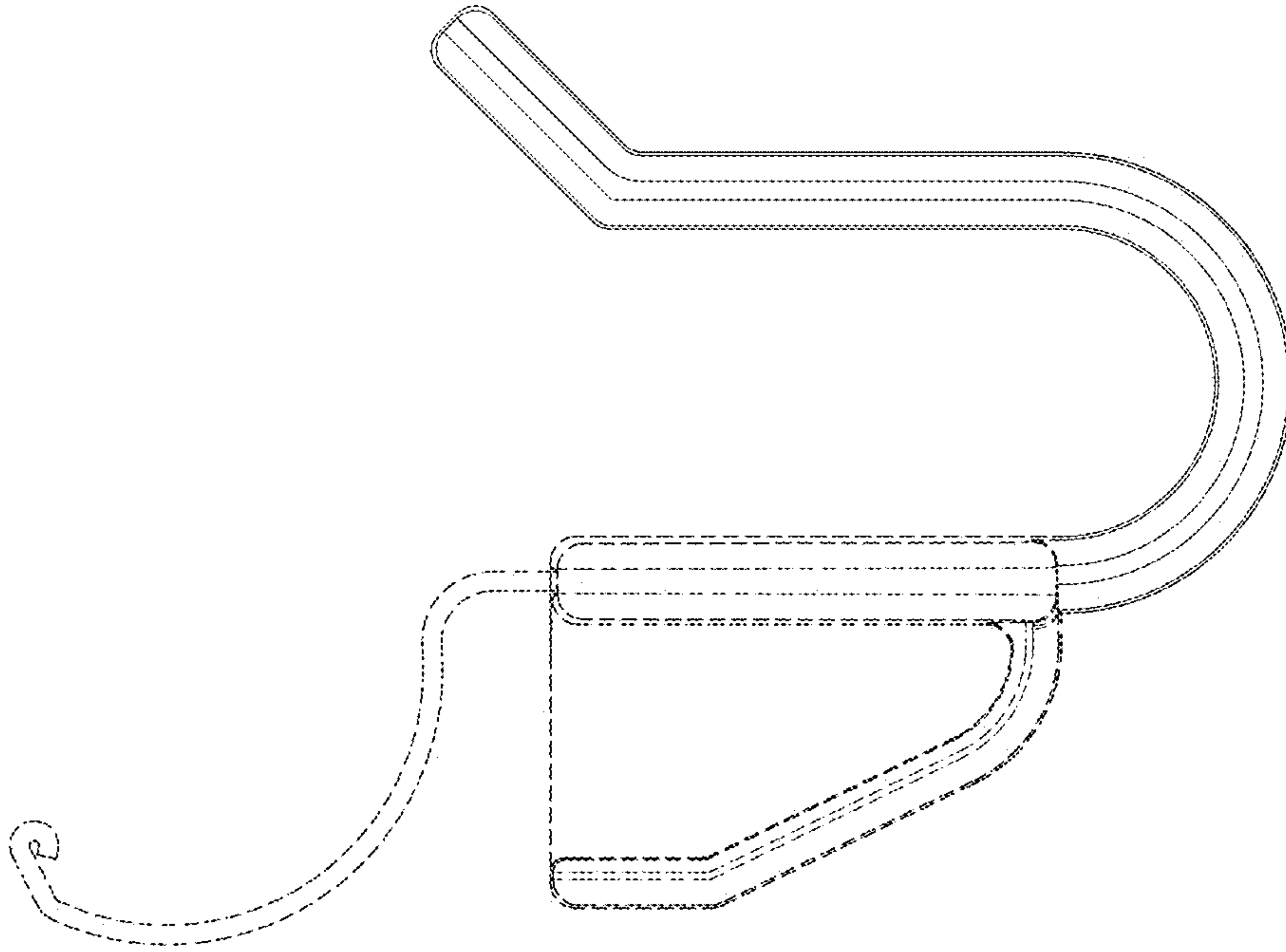


FIG. 2

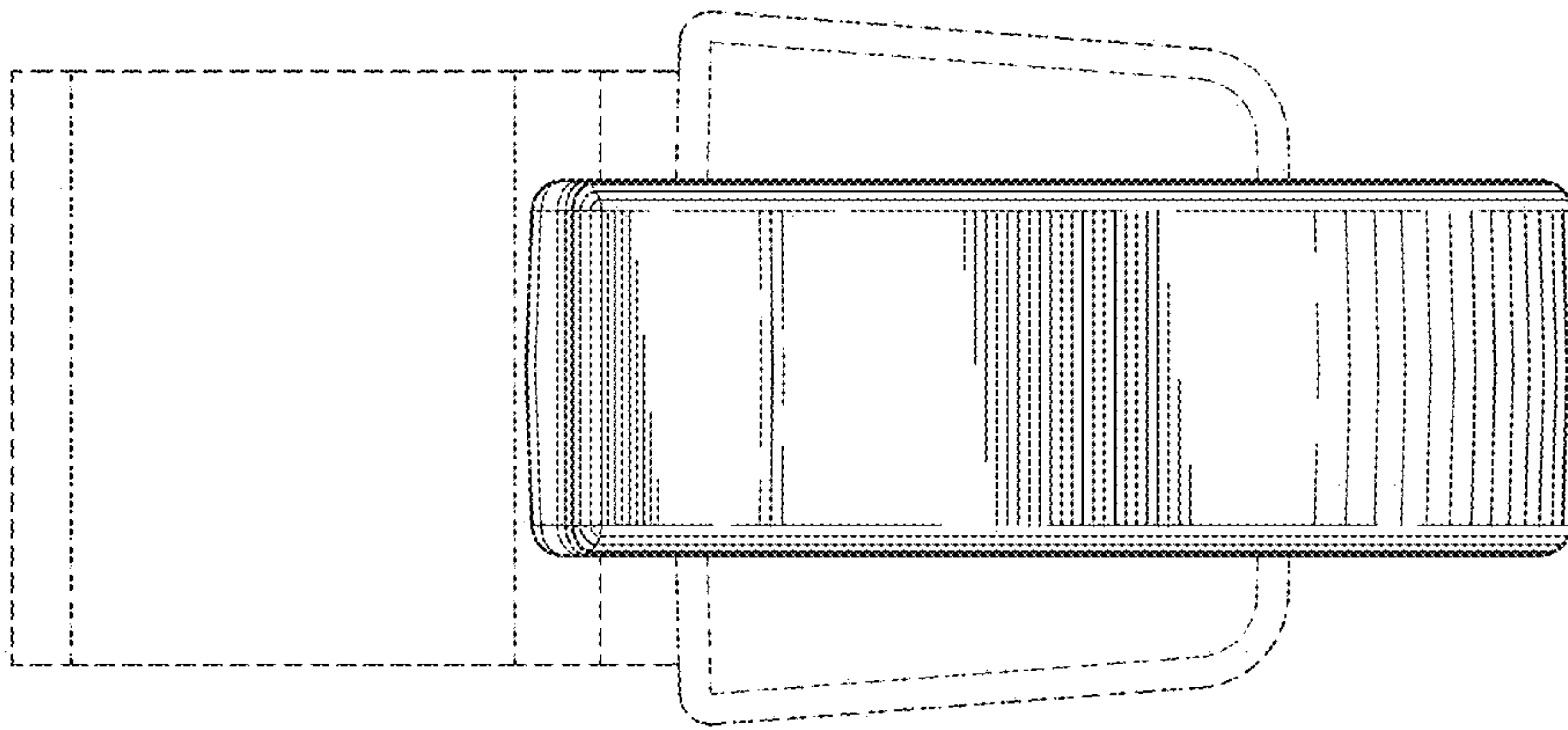


FIG. 3



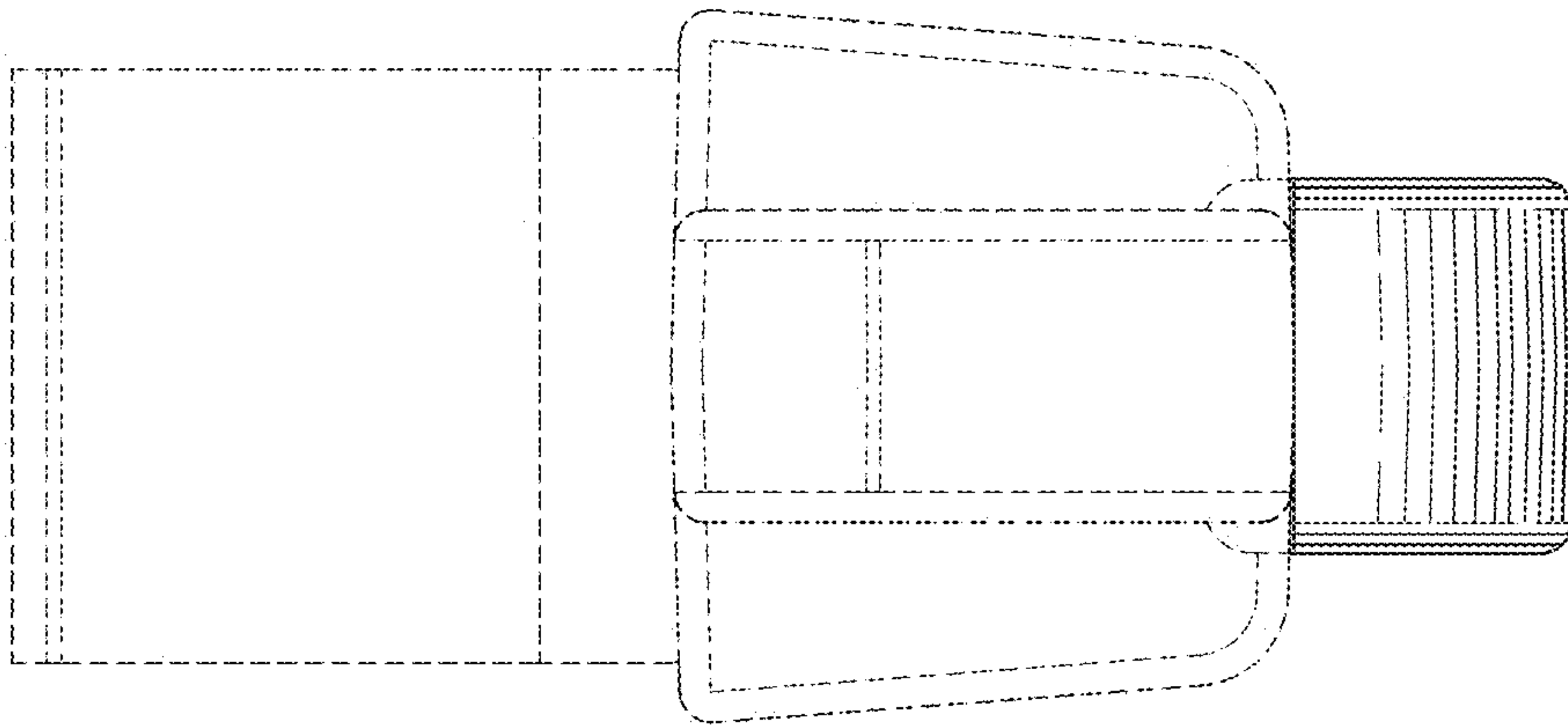


FIG. 3

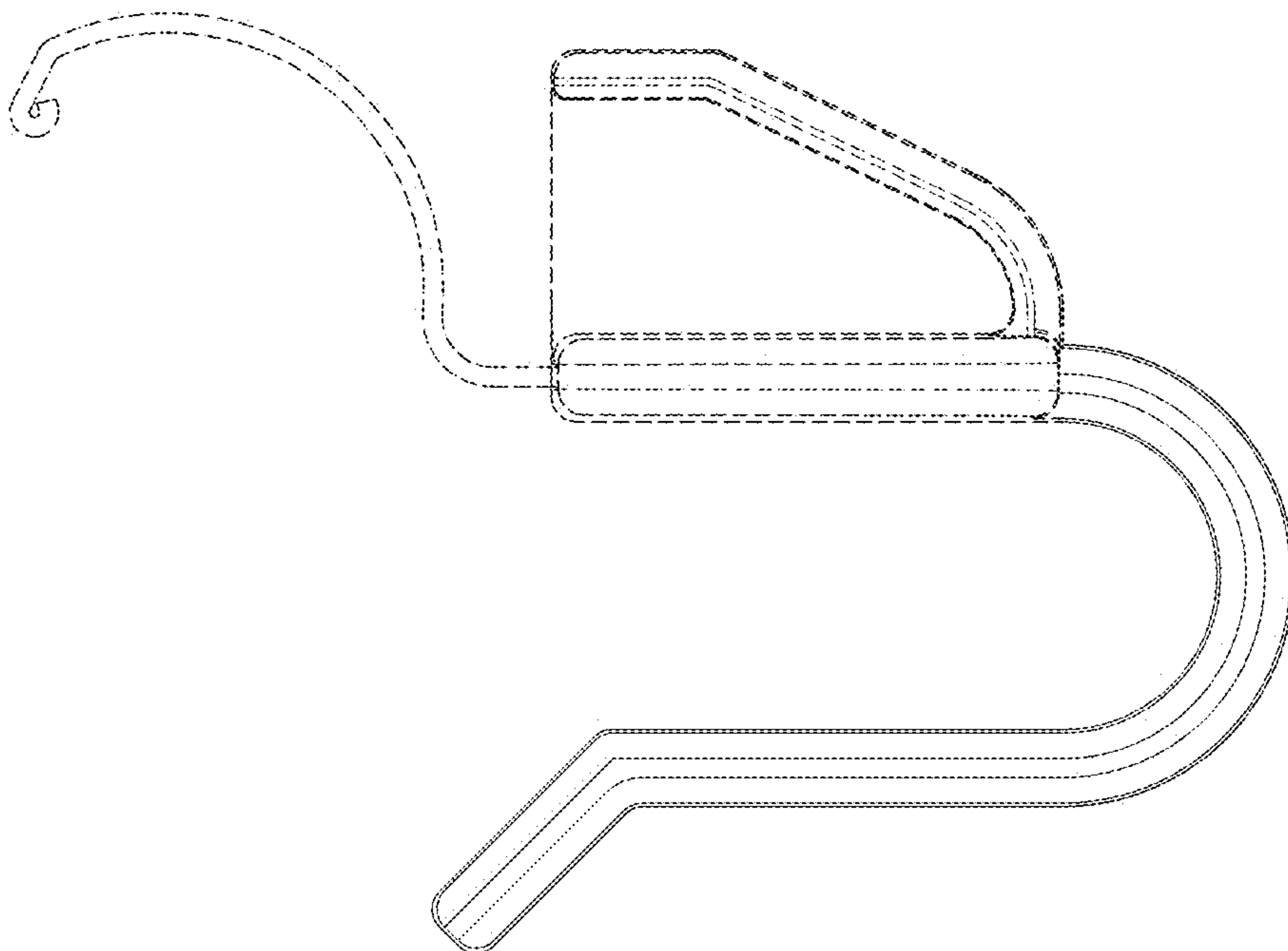
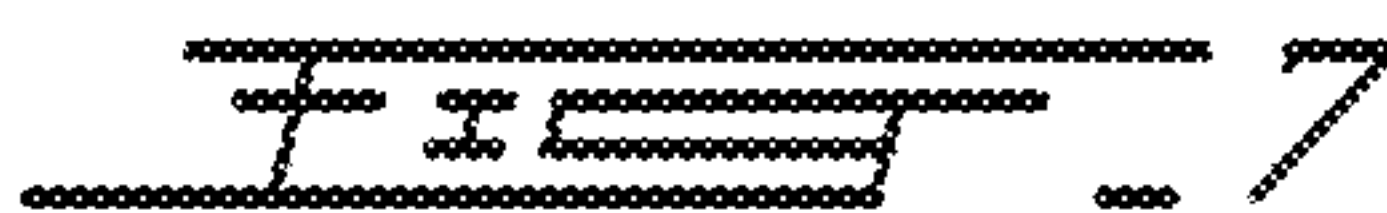
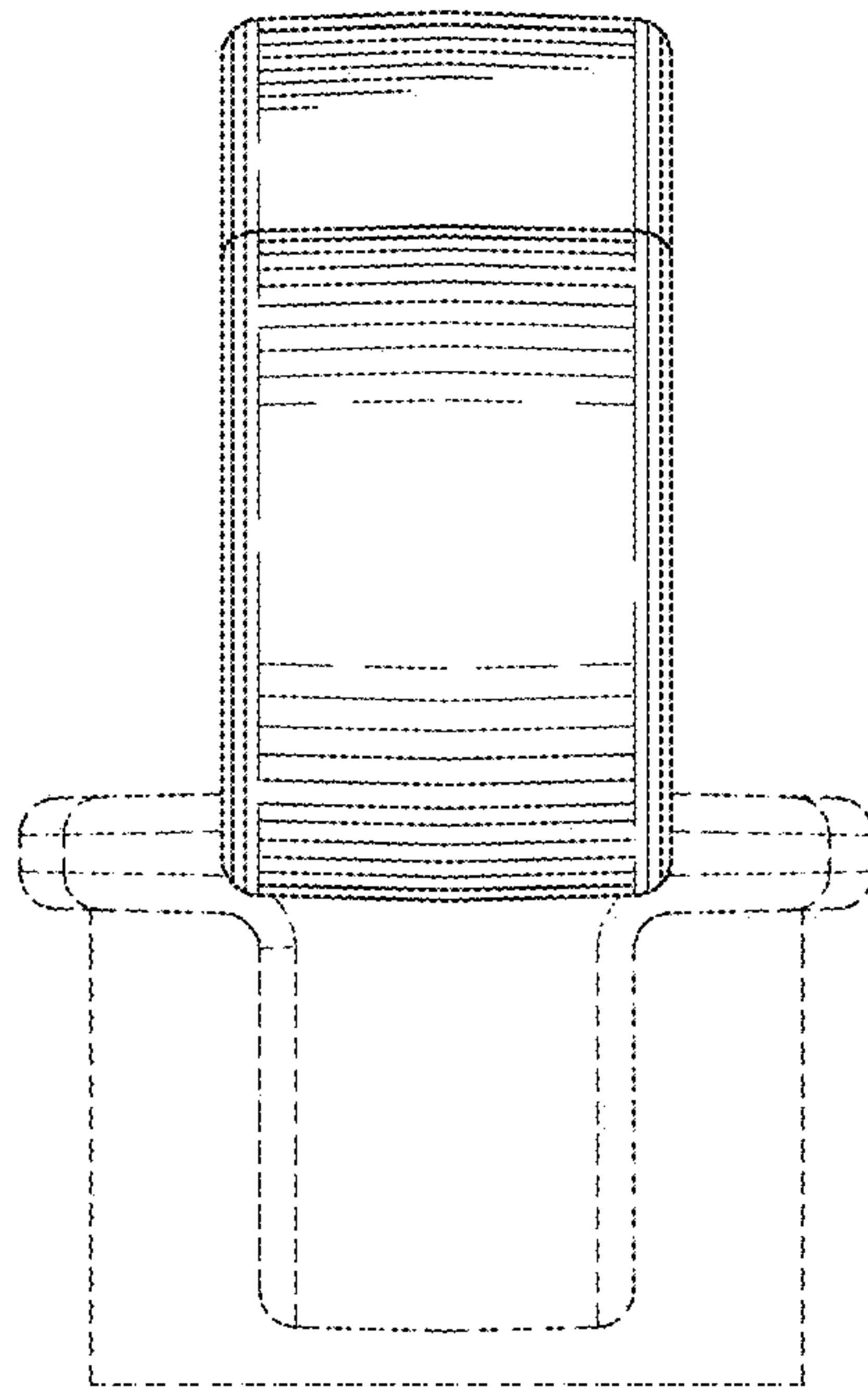
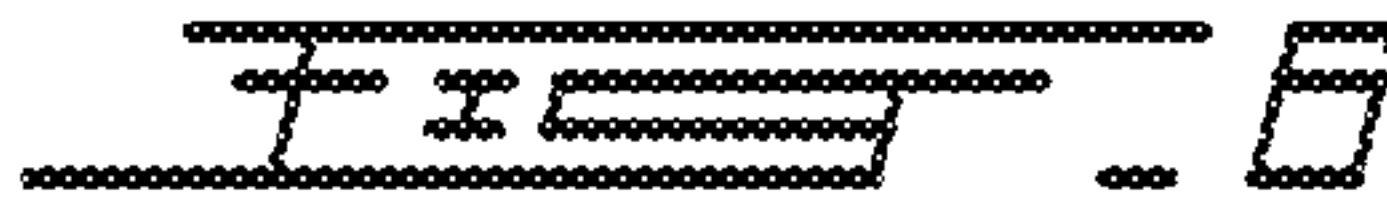
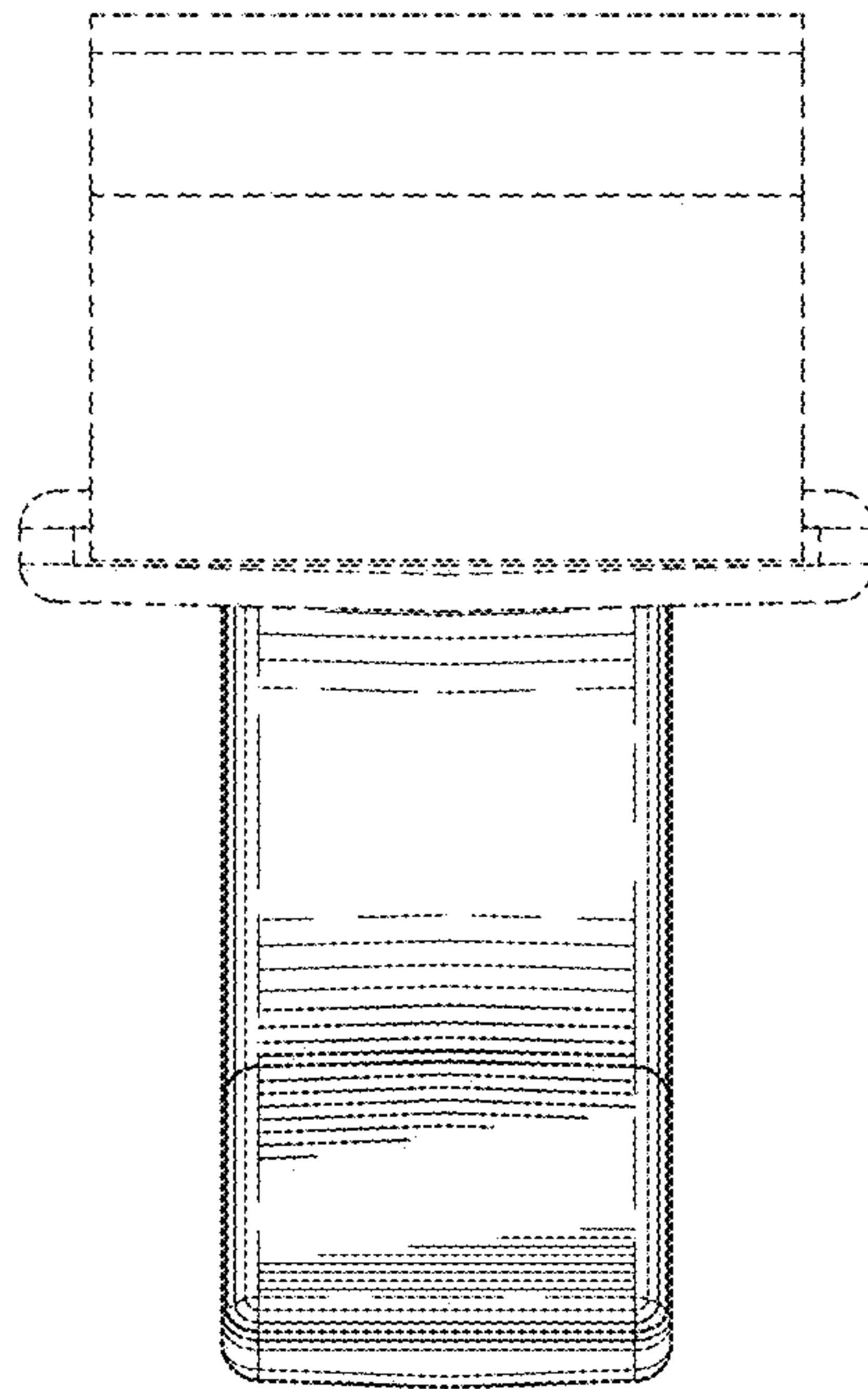
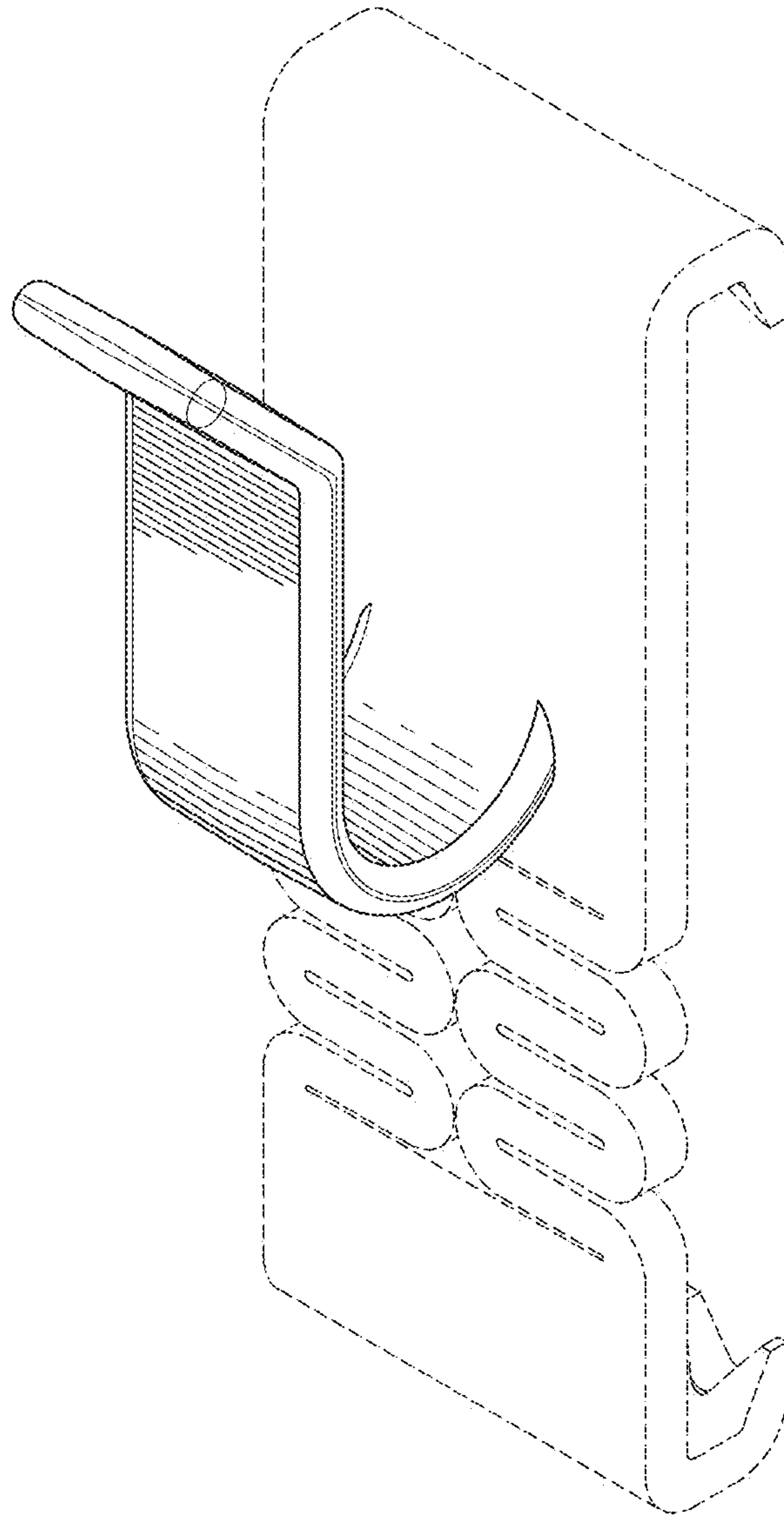


FIG. 4





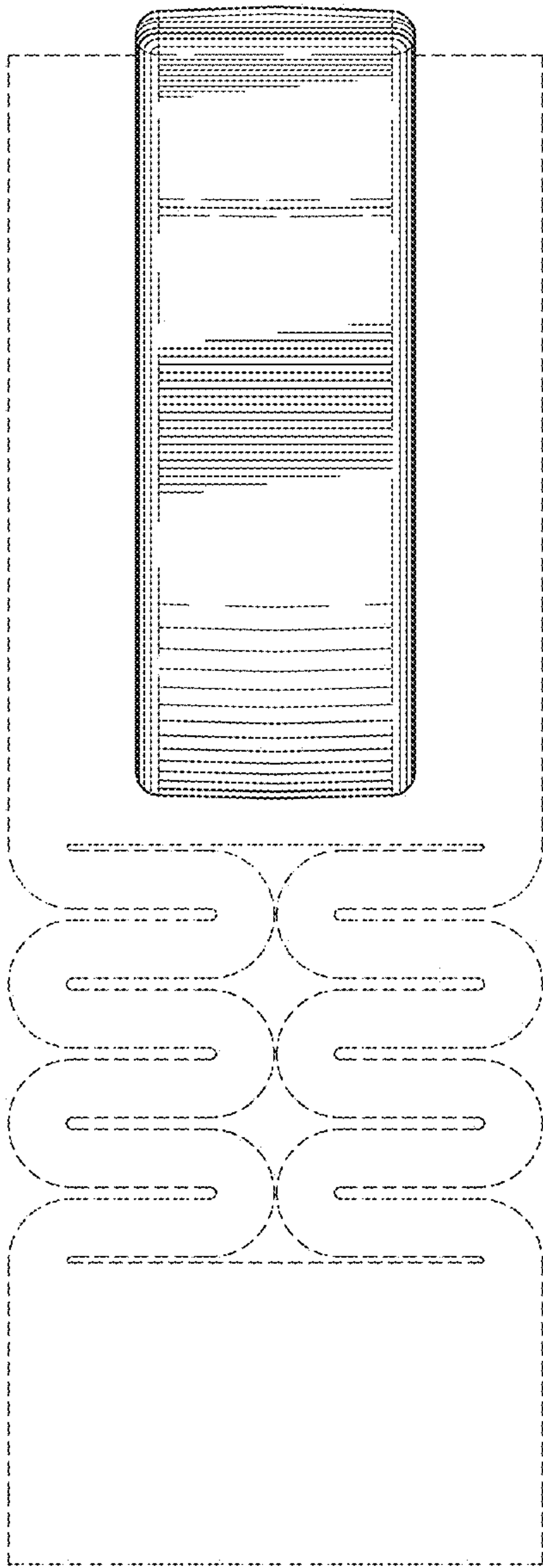


FIG. 9

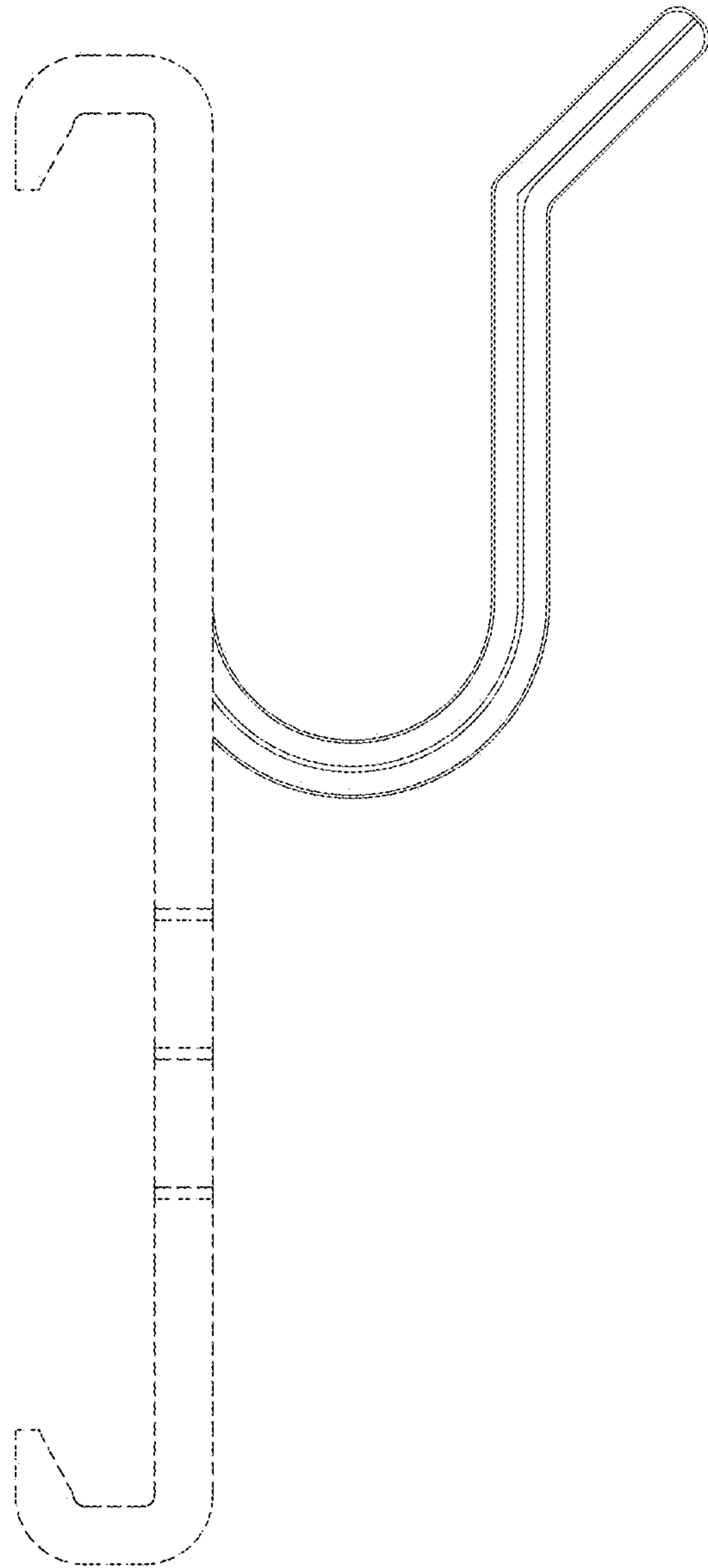


FIG. 10



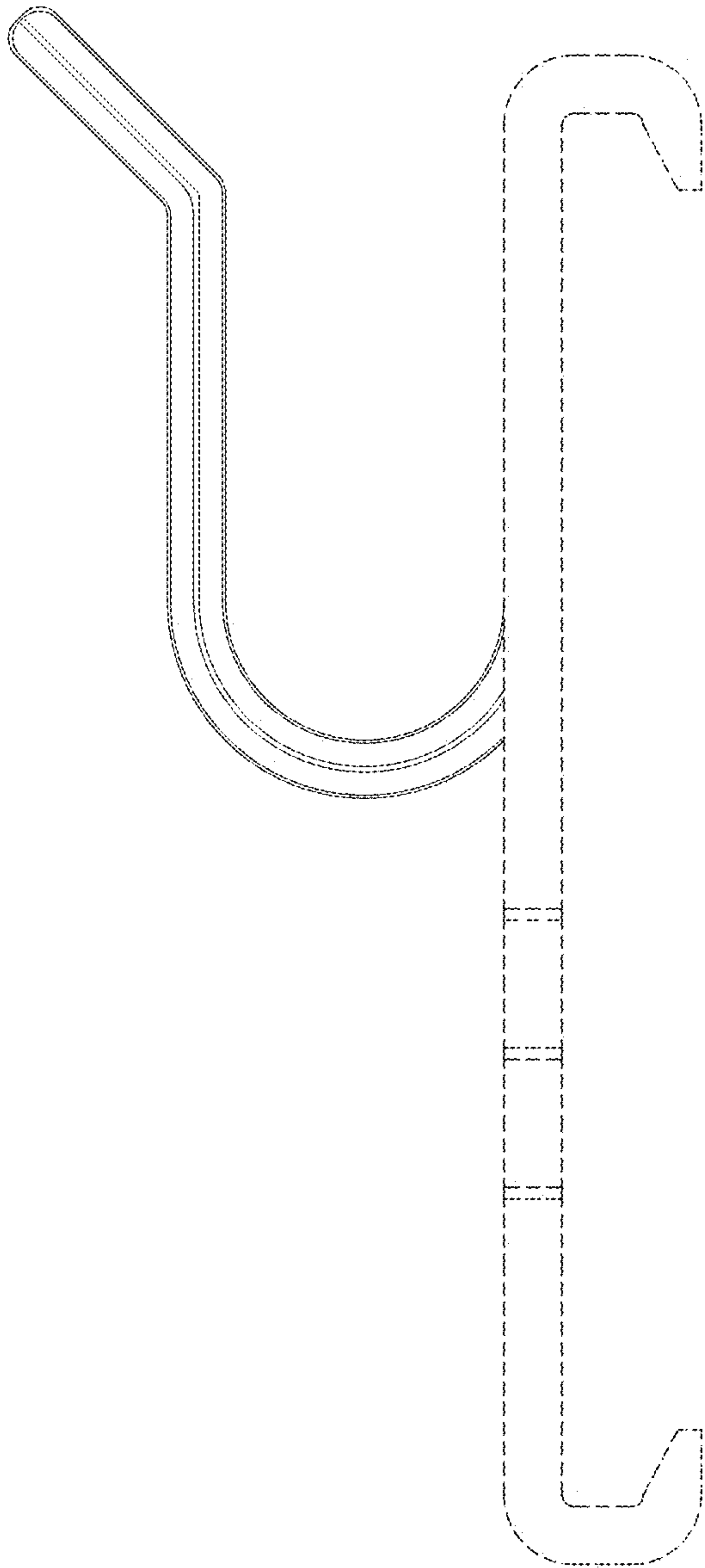


FIG. 11

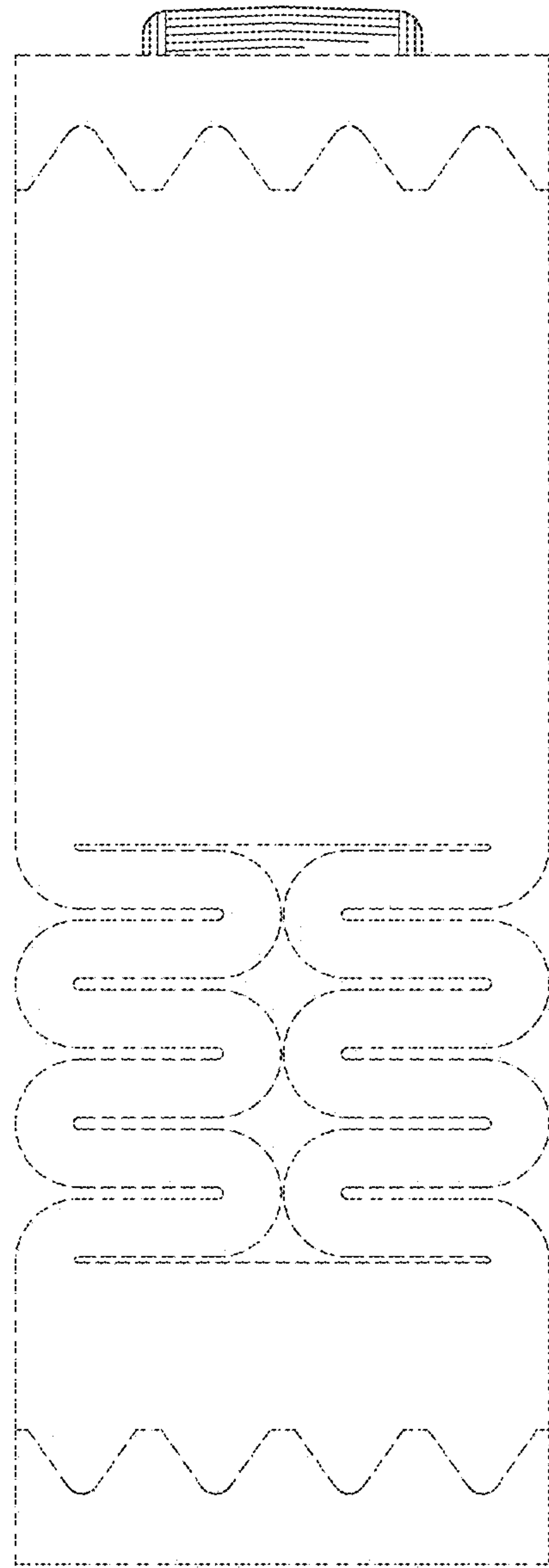
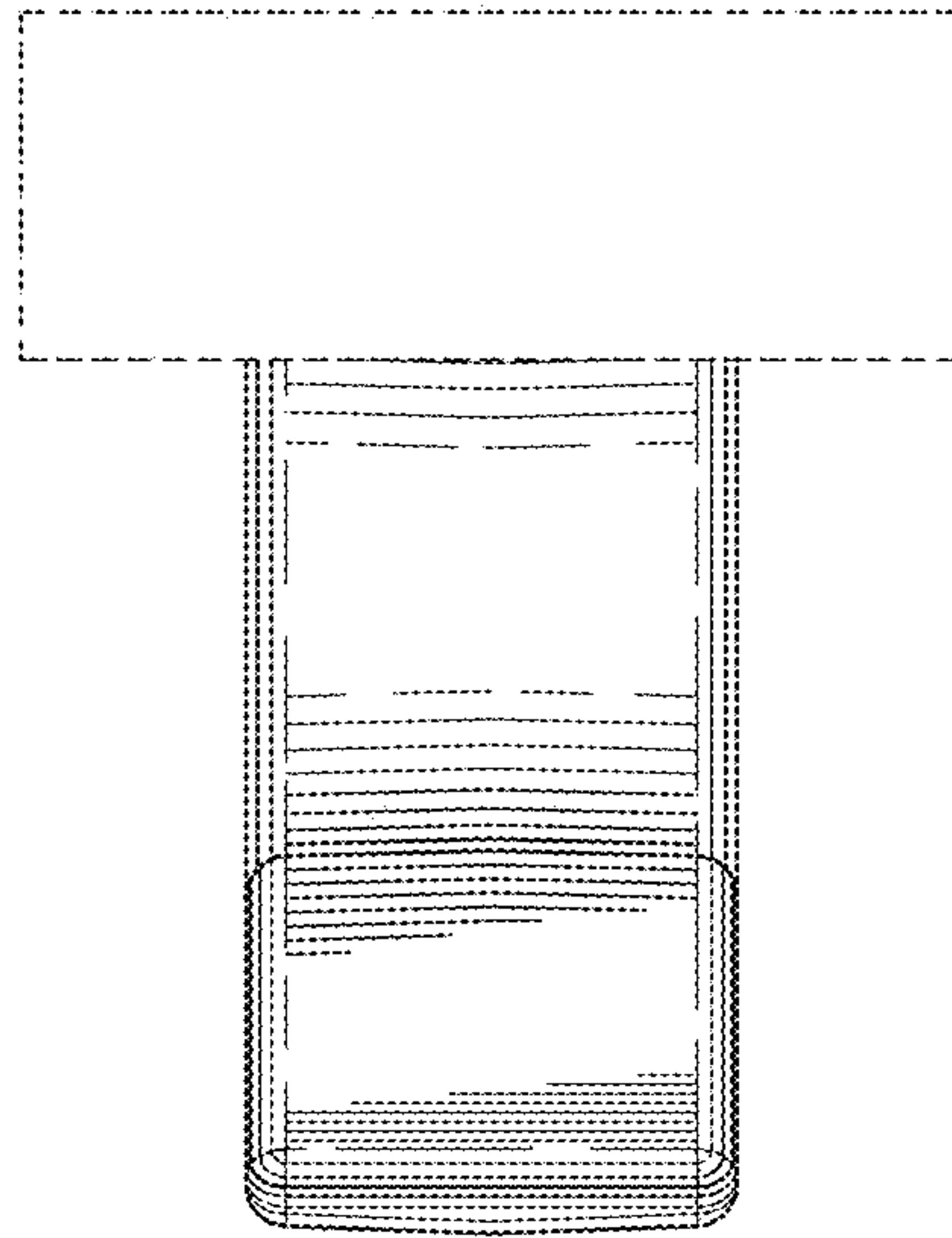
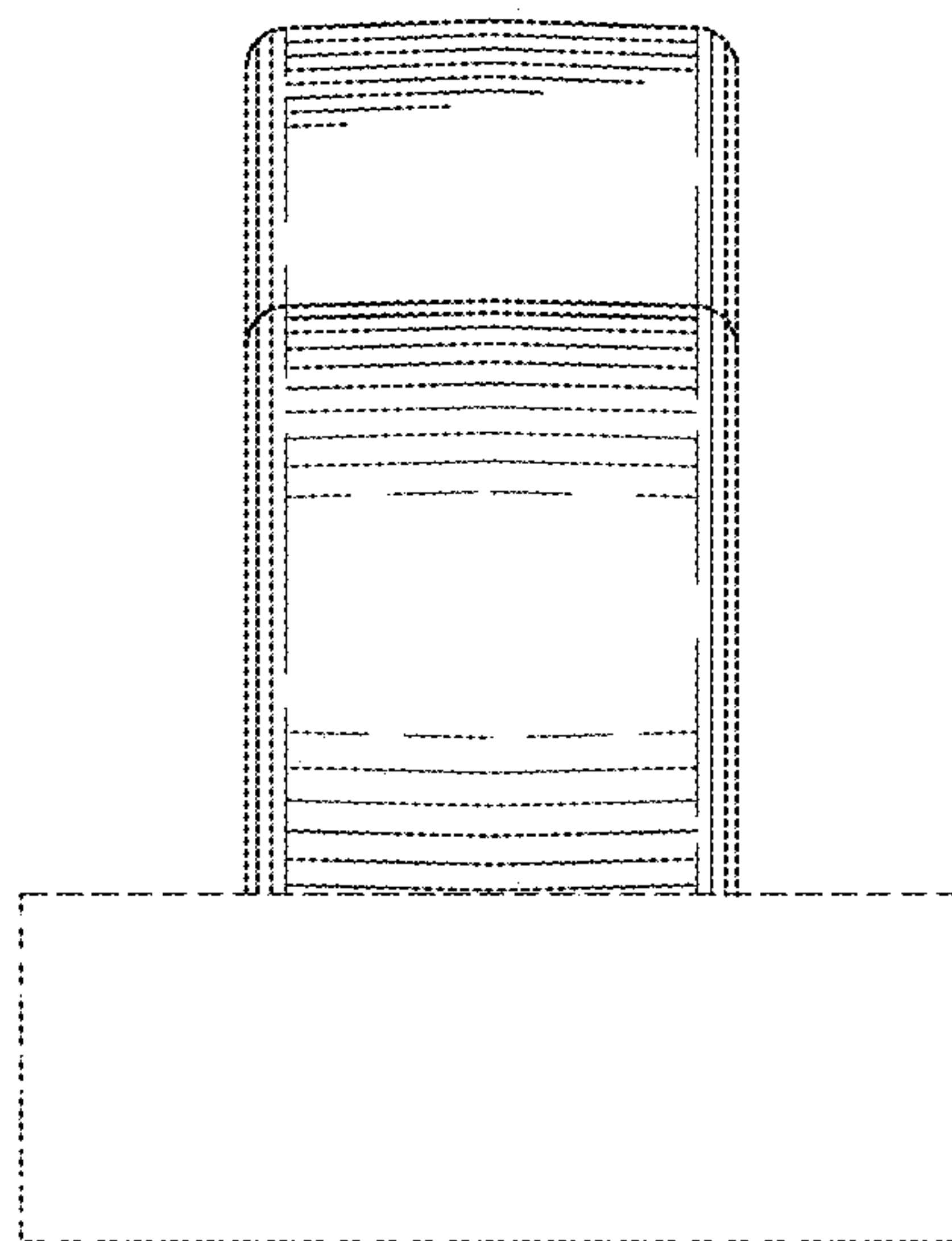


FIG. 12



*Fig. 13*



*Fig. 14*