



US00D878907S

(12) **United States Design Patent**
Sotis

(10) **Patent No.:** **US D878,907 S**
(45) **Date of Patent:** **** Mar. 24, 2020**

(54) **ROPE SADDLE AND ANCHOR FOR A ROPE CADDY**

(71) Applicant: **Prism Fitness, Inc.**, Verona, WI (US)

(72) Inventor: **William J. Sotis**, Fitchburg, WI (US)

(73) Assignee: **PRISM FITNESS, INC.**, Verona, WI (US)

(**) Term: **15 Years**

(21) Appl. No.: **29/682,849**

(22) Filed: **Mar. 8, 2019**

(51) **LOC (12) Cl.** **09-06**

(52) **U.S. Cl.**
USPC **D8/356**

(58) **Field of Classification Search**
USPC D8/356, 354, 349, 367; 361/826
CPC A63B 29/00; A63B 27/00; B63B 59/02;
B63B 21/045; H05K 5/0247
See application file for complete search history.

(56) **References Cited**

U.S. PATENT DOCUMENTS

- 2,905,743 A * 9/1959 Sylvester H01B 17/16
174/73.1
- 4,114,241 A * 9/1978 Bisping F16L 3/13
403/188
- 4,403,759 A * 9/1983 Hicks F16L 3/18
248/55
- 4,722,500 A * 2/1988 Bray F16L 3/00
138/106
- D321,471 S * 11/1991 Stumpf D8/381
- D368,932 S * 4/1996 Mussalo D19/100
- D399,727 S * 10/1998 Richter D8/380
- 5,884,695 A * 3/1999 Brownlee F22B 37/107
122/DIG. 13
- D430,005 S * 8/2000 Stearns D8/380
- D436,399 S * 1/2001 Poland D23/322

- D436,522 S * 1/2001 Neider D8/380
- 6,431,500 B1 * 8/2002 Jacobs F16L 3/13
24/129 R
- D490,692 S * 6/2004 Williams D8/356
- D498,136 S * 11/2004 Parker D8/323
- D521,851 S * 5/2006 Smart D8/354
- D618,985 S * 7/2010 Sjoqvist D8/356
- D629,286 S * 12/2010 Laskowski D8/356

(Continued)

OTHER PUBLICATIONS

“Stroops Rope Holder,” SPRI, <https://www.spri.com/products/stroops-rope-holder>, downloaded Nov. 6, 2019.

(Continued)

Primary Examiner — Cynthia R Underwood

(74) *Attorney, Agent, or Firm* — Stiennon & Stiennon

(57) **CLAIM**

The ornamental design for a rope saddle and anchor for a rope caddy, as shown and described.

DESCRIPTION

FIG. 1 is top isometric view of the rope saddle and anchor for a rope caddy of the invention, the broken lines in the figures illustrate the portions that form no part of the claimed design;

FIG. 2 is a bottom isometric view thereof, with a rope carried thereon shown in broken lines as environmental matter;

FIG. 3 is a top plan thereof;

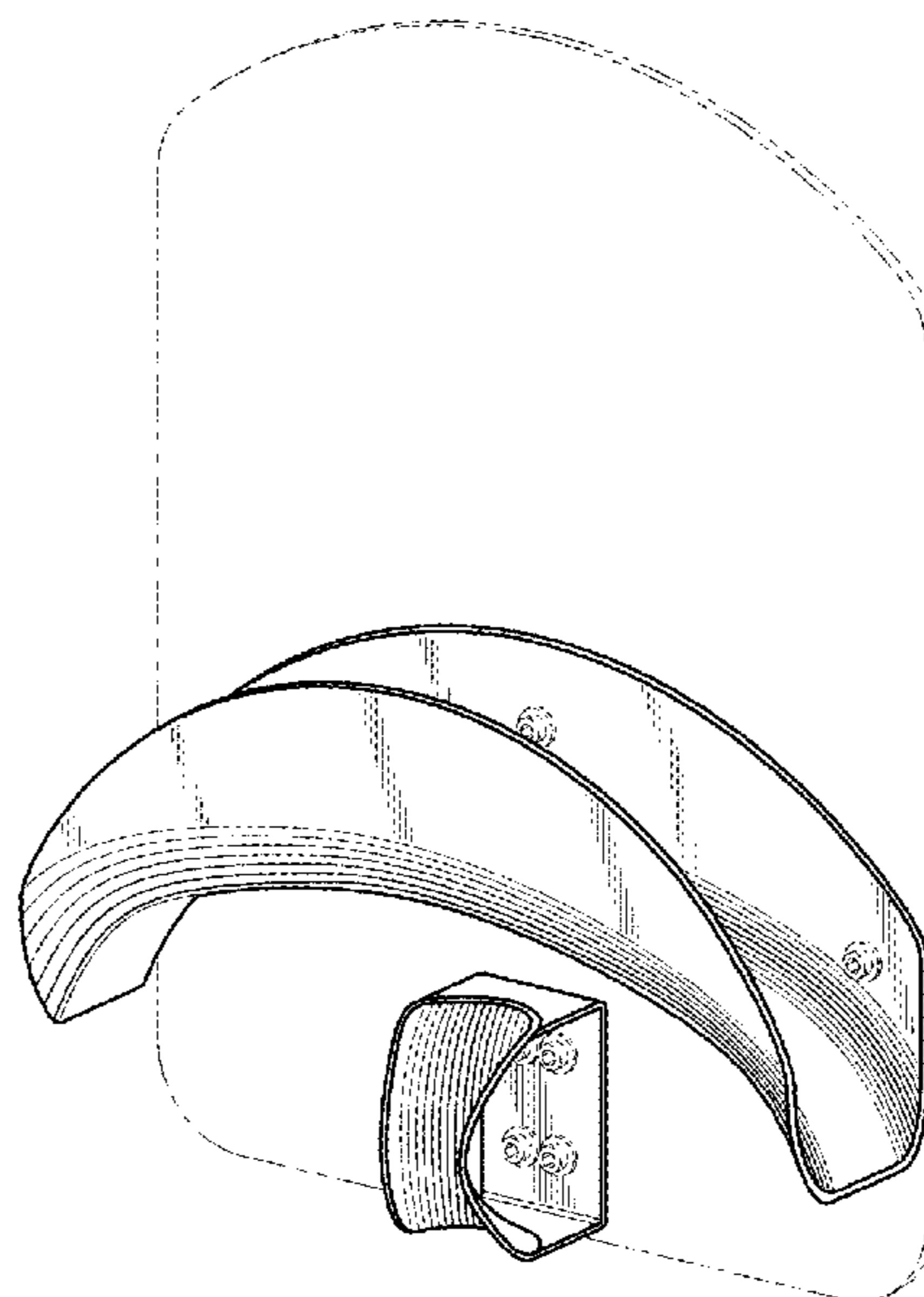
FIG. 4 is a front elevational view thereof, a portion of a rope is shown in broken lines as environmental matter;

FIG. 5 is right side elevational view, the side opposite being a mirror image thereof.

FIG. 6 is a rear elevational view thereof, with a rope carried thereon shown in broken lines as environmental matter; and,

FIG. 7 is a bottom plan thereof.

1 Claim, 3 Drawing Sheets



(56)

References Cited

U.S. PATENT DOCUMENTS

D685,624 S * 7/2013 Van Der Blom D8/356
 D687,289 S * 8/2013 Griffith D8/356
 D693,731 S * 11/2013 Dunn D11/184
 D704,535 S * 5/2014 Burda D8/356
 D713,947 S * 9/2014 Jensen D23/322
 D715,623 S * 10/2014 Holtby D8/356
 8,910,803 B2 * 12/2014 Holtby F16L 1/0246
 211/70.4
 D738,711 S * 9/2015 Tally D8/380
 D741,151 S * 10/2015 Iseminger D8/356
 D758,834 S * 6/2016 Tally D8/380
 D767,796 S * 9/2016 Kinsman D25/133
 D779,585 S * 2/2017 Dedrick D17/20
 D793,213 S * 8/2017 Heymann D8/380
 D824,749 S * 8/2018 Wright D8/354
 D837,638 S * 1/2019 Sargent D8/380
 D856,119 S * 8/2019 McGugan D8/356
 D870,538 S * 12/2019 Blanchette D8/367
 2006/0131469 A1 * 6/2006 Roy F16L 3/02
 248/346.03

2008/0054143 A1 * 3/2008 Collins F16L 3/02
 248/227.2
 2008/0121763 A1 * 5/2008 Mori H02G 3/32
 248/68.1
 2016/0221715 A1 * 8/2016 Pratt B65D 19/44

OTHER PUBLICATIONS

“Rope Hanger,” Power Systems, <https://www.power-systems.com/shop/product/rope-hanger>, downloaded Nov. 6, 2019.
 “Rope Holder,” Perform Better!, detail of <https://www.performbetter.com/Rope-Holder>, downloaded Nov. 6, 2019.
 “Deluxe Conditioning Rope Wall Anchor & Rope Holder,” Gopher, details of <https://www.gophersport.com/fitness/conditioning-ropes/wall-anchor-rope-holder>, downloaded Nov. 6, 2019.
 Amazon.com, [excerpt] “Yard Butler Deluxe Heavy Duty Wall Mount Hose Hanger Easily Holds 100' Of 5/8' Hose Solid Steel Extra Bracing And Patented Design In New Colors and Decorative Designs IHCWM-1 Textured Forest Green”. Downloaded Mar. 8, 2019, original publication date unknown.

* cited by examiner

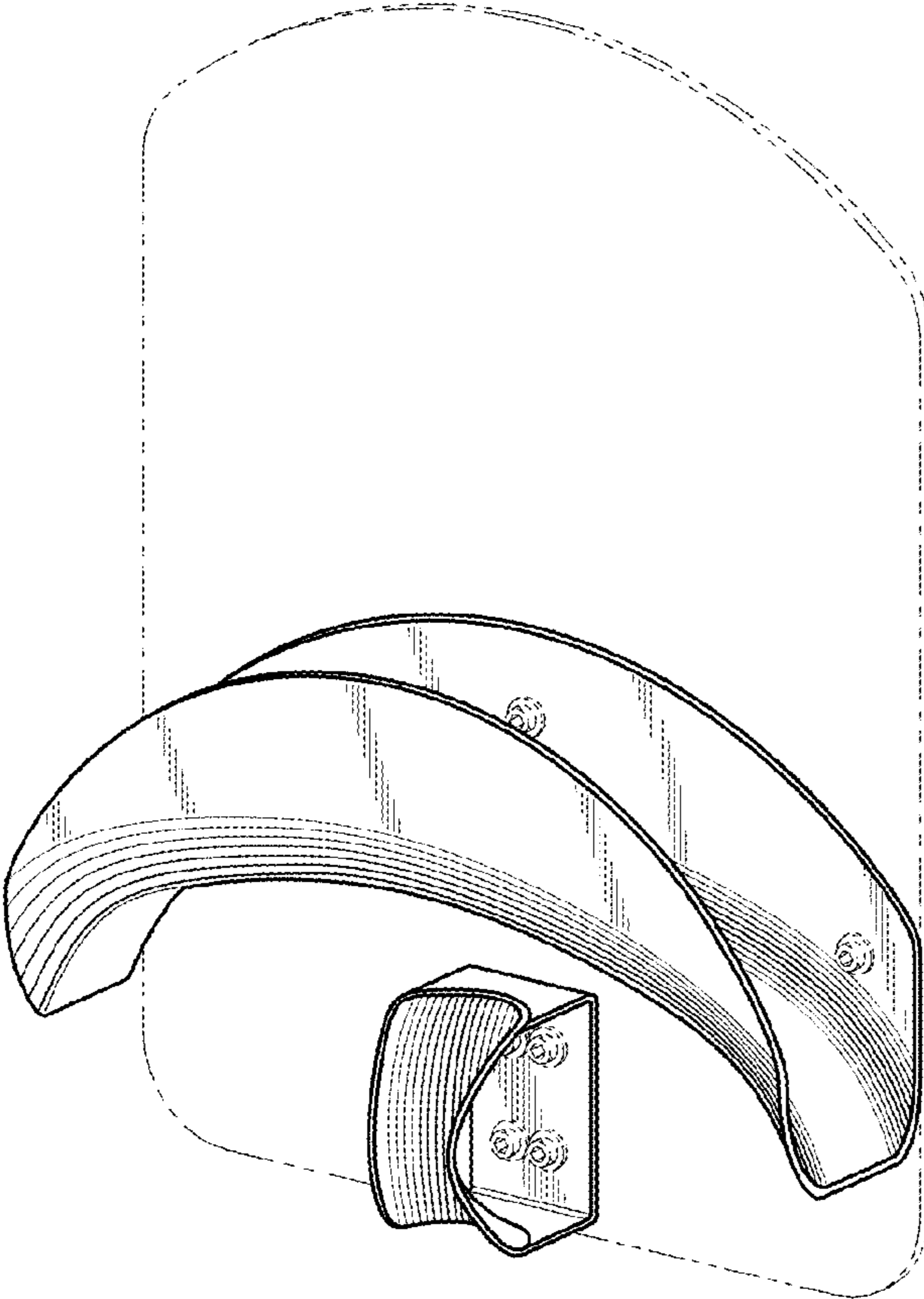
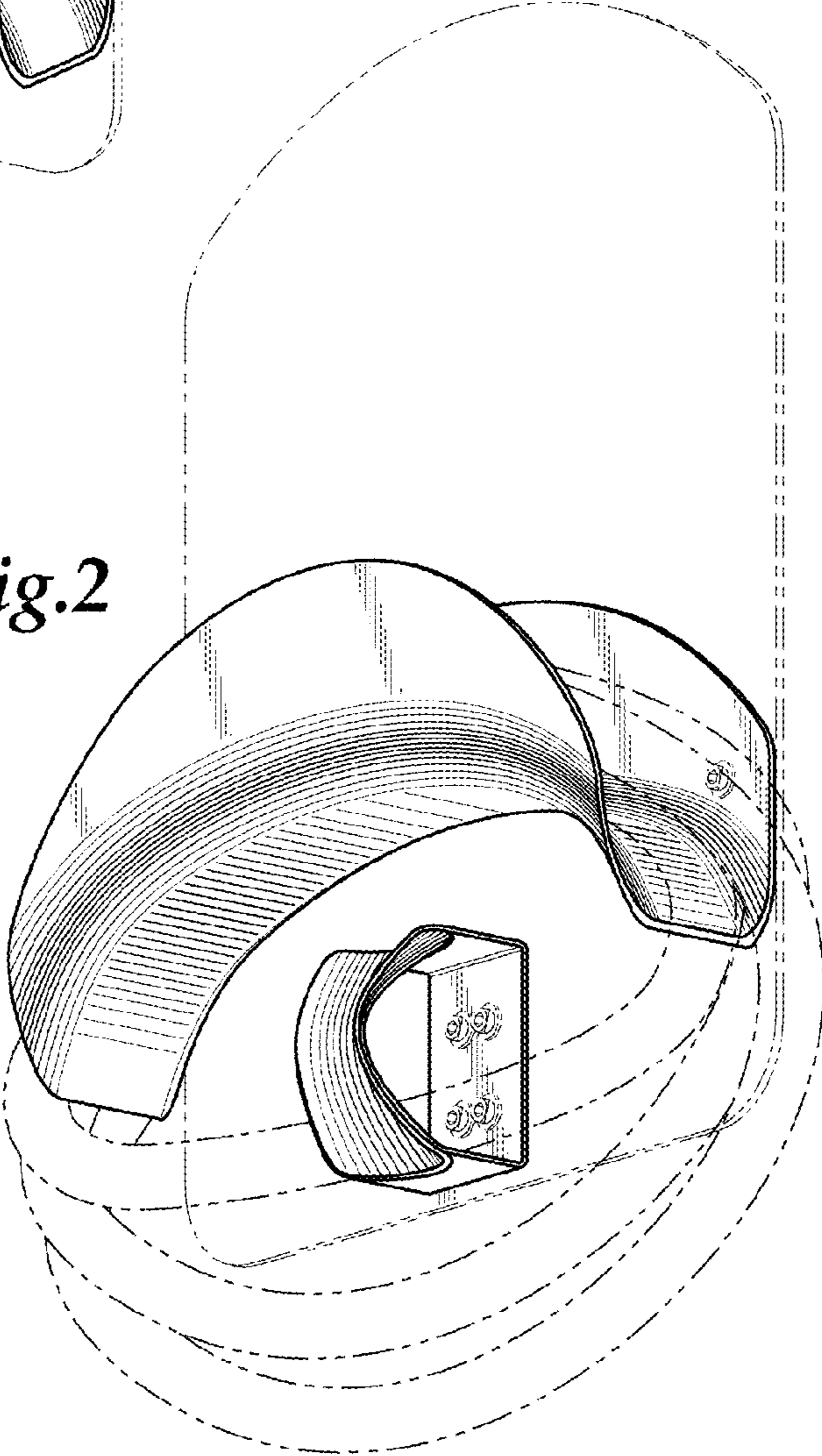


Fig.1

Fig.2



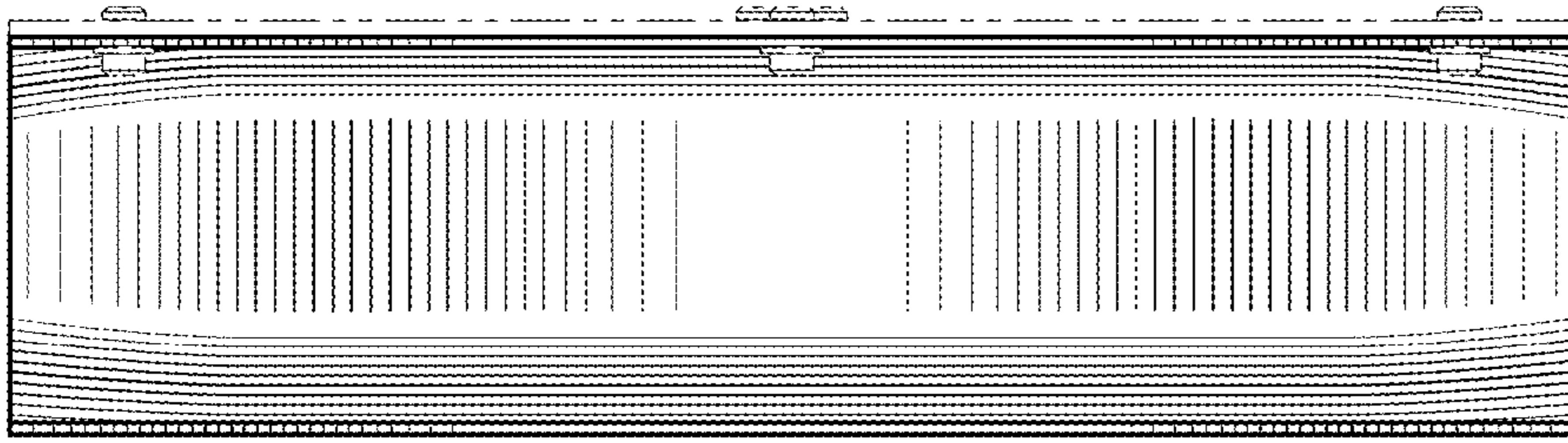


Fig.3

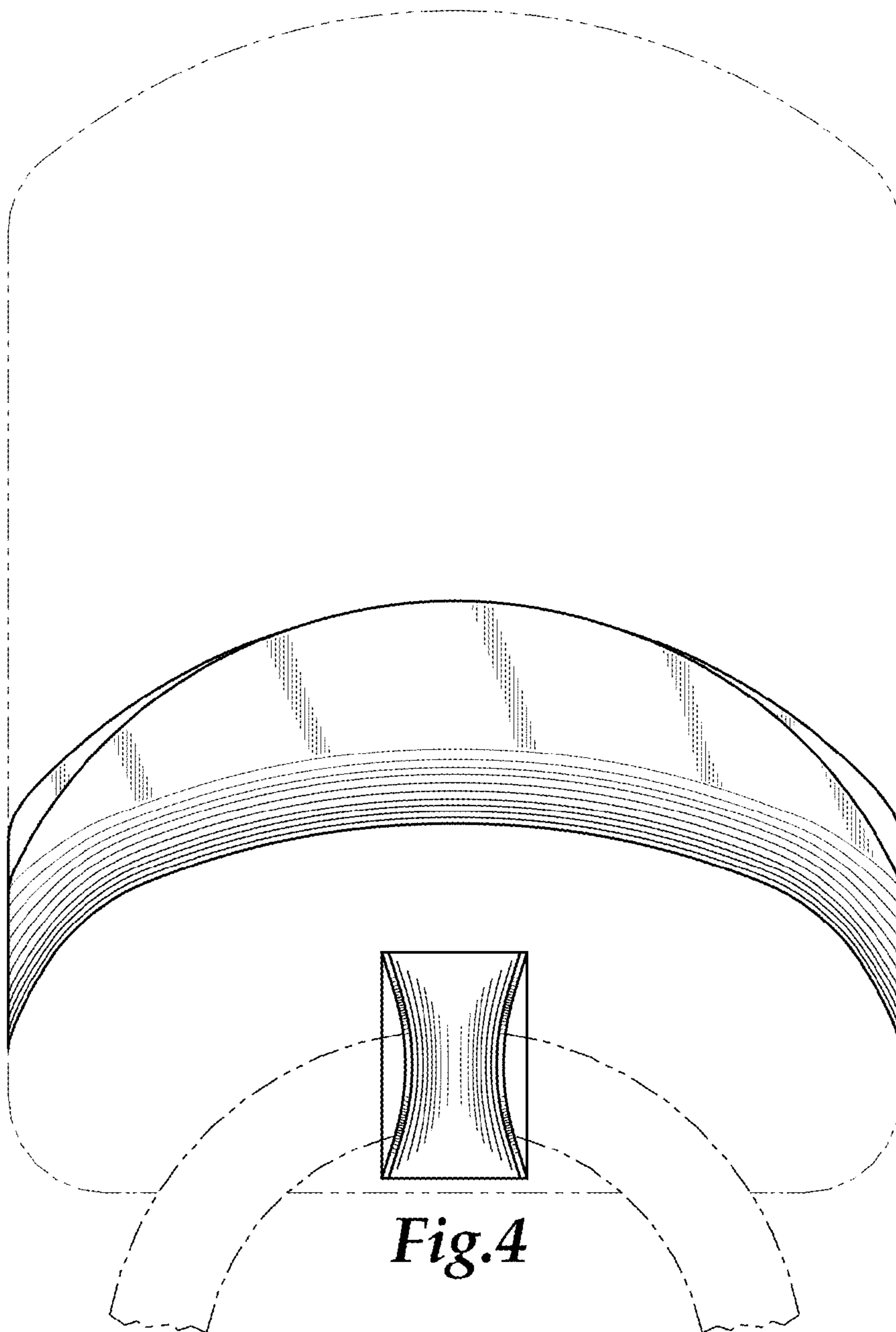


Fig.4

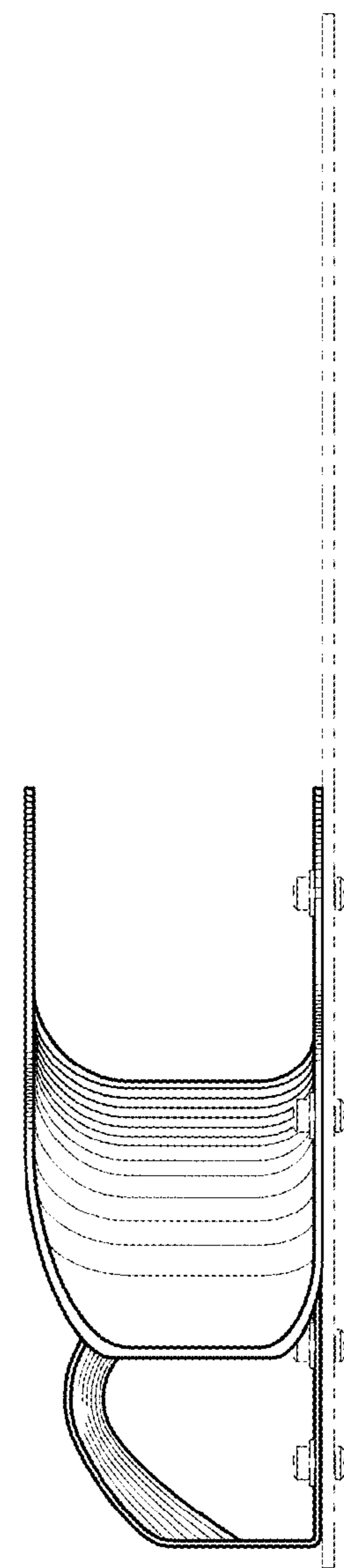


Fig.5

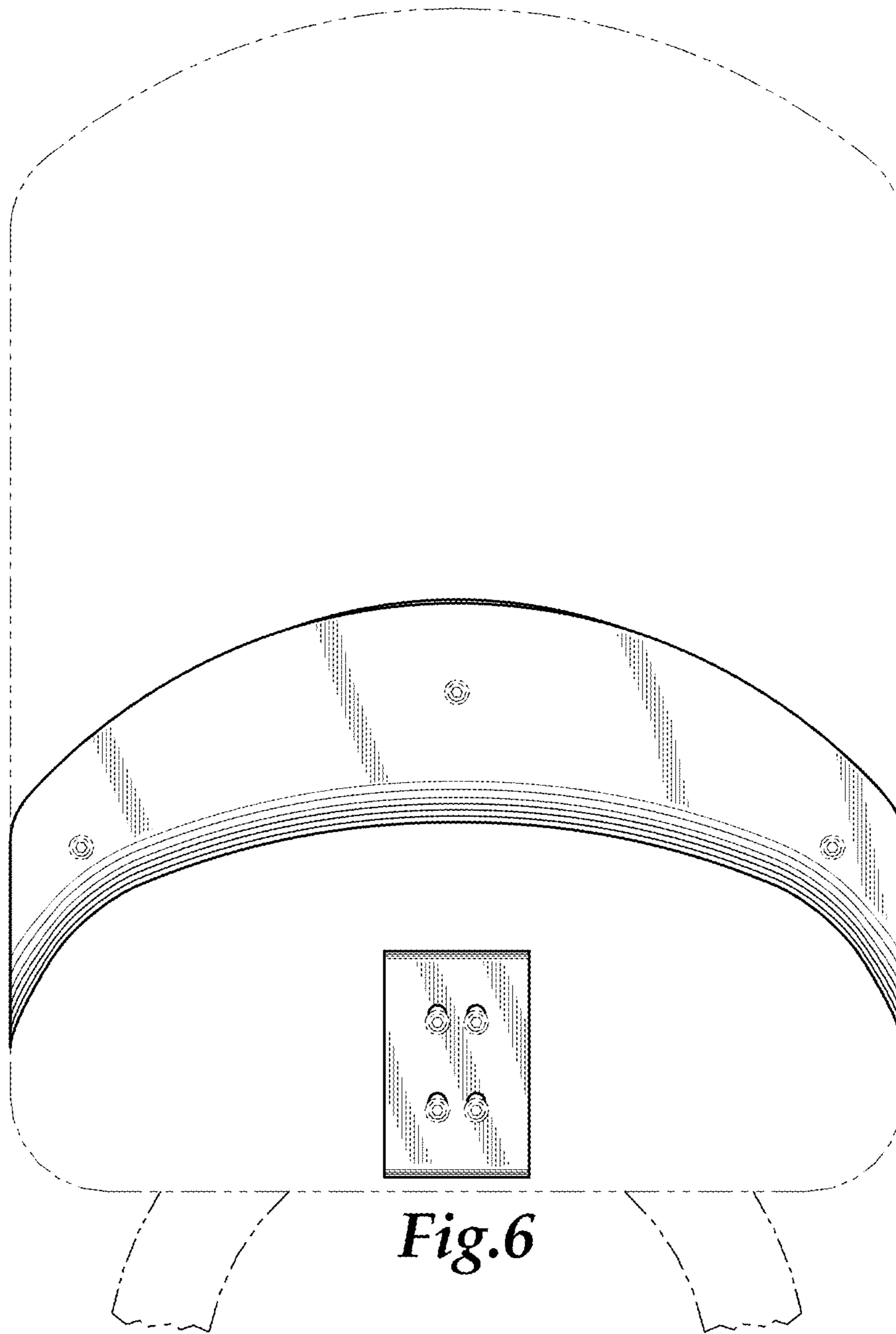


Fig.6

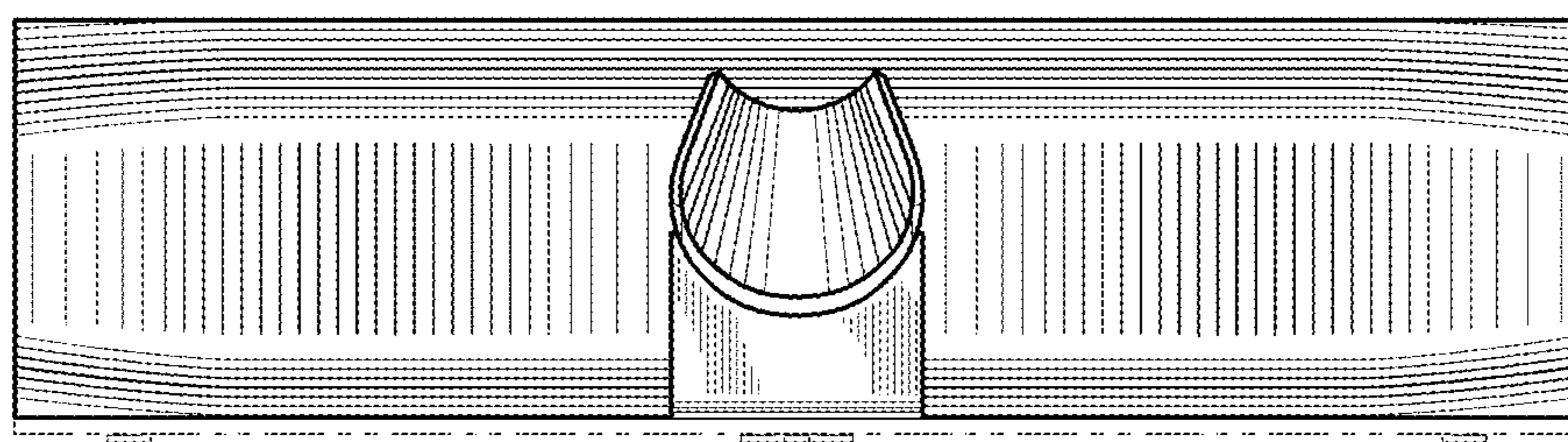


Fig.7