



US00D878906S

(12) **United States Design Patent**
Tung

(10) **Patent No.:** **US D878,906 S**

(45) **Date of Patent:** **** Mar. 24, 2020**

- (54) **SWING LOCKER**
- (71) Applicant: **Marine Town Inc.**, New Taipei (TW)
- (72) Inventor: **Chin-Chung Tung**, New Taipei (TW)
- (73) Assignee: **MARINE TOWN INC.**, New Taipei (TW)
- (**) Term: **15 Years**
- (21) Appl. No.: **29/673,307**
- (22) Filed: **Dec. 13, 2018**
- (51) **LOC (12) Cl.** **09-06**
- (52) **U.S. Cl.**
USPC **D8/356**
- (58) **Field of Classification Search**
USPC D8/356, 354, 349, 367, 323; 361/826
CPC A63B 29/00; A63B 27/00; B63B 59/02;
B63B 21/045; H05K 5/0247
See application file for complete search history.

- 6,431,500 B1 * 8/2002 Jacobs F16L 3/13
24/129 R
- D490,692 S * 6/2004 Williams D8/356
- D498,136 S * 11/2004 Parker D8/323
- D521,851 S * 5/2006 Smart D8/354
- D618,985 S * 7/2010 Sjoqvist D8/356
- D629,286 S * 12/2010 Laskowski D8/356
- D685,624 S * 7/2013 Van Der Blom D8/356
- D693,731 S * 11/2013 Dunn D11/184
- D704,535 S * 5/2014 Burda D8/356
- D713,947 S * 9/2014 Jensen D23/322
- D715,623 S * 10/2014 Holtby D8/356
- 8,910,803 B2 * 12/2014 Holtby F16L 1/0246
211/70.4
- D738,711 S * 9/2015 Tally D8/380
- D741,151 S * 10/2015 Iseminger D8/356
- D758,834 S * 6/2016 Tally D8/380
- D767,796 S * 9/2016 Kinsman D25/133
- D779,585 S * 2/2017 Dedrick D17/20
- D793,213 S * 8/2017 Heymann D8/380
- D824,749 S * 8/2018 Wright D8/354
- D837,638 S * 1/2019 Sargent D8/380

(Continued)

Primary Examiner — Cynthia R Underwood

(74) Attorney, Agent, or Firm — WPAT, PC

(56) **References Cited**

U.S. PATENT DOCUMENTS

- 2,905,743 A * 9/1959 Sylvester H01B 17/16
174/73.1
- 4,114,241 A * 9/1978 Bisping F16L 3/13
403/188
- 4,403,759 A * 9/1983 Hicks F16L 3/18
248/55
- 4,722,500 A * 2/1988 Bray F16L 3/00
138/106
- D321,471 S * 11/1991 Stumpf D8/381
- D368,932 S * 4/1996 Mussalo D19/100
- D399,727 S * 10/1998 Richter D8/380
- 5,884,695 A * 3/1999 Brownlee F22B 37/107
122/DIG. 13
- D430,005 S * 8/2000 Stearns D8/380
- D436,399 S * 1/2001 Poland D23/322
- D436,522 S * 1/2001 Neider D8/380

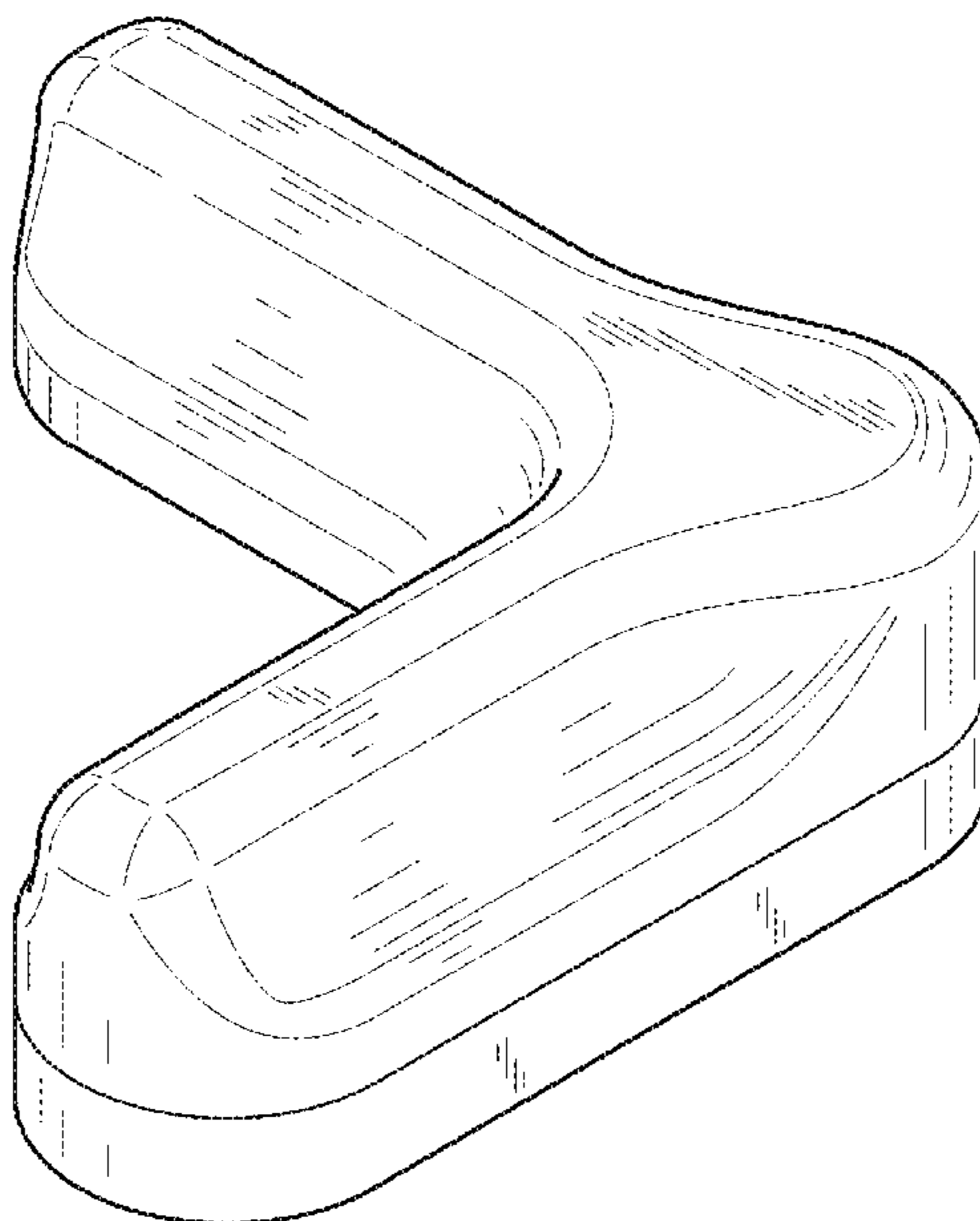
(57) **CLAIM**

The ornamental design for a swing locker, as shown and described.

DESCRIPTION

FIG. 1 is a perspective view of a swing locker showing my new design;
 FIG. 2 is a front elevational view thereof;
 FIG. 3 is a rear elevational view thereof;
 FIG. 4 is a left side elevational view thereof;
 FIG. 5 is a right side elevational view thereof;
 FIG. 6 is a top plan view thereof;
 FIG. 7 is a bottom plan view thereof; and,
 FIG. 8 is another perspective view thereof.

1 Claim, 8 Drawing Sheets



(56)

References Cited

U.S. PATENT DOCUMENTS

D856,119 S *	8/2019	McGugan	D8/356
2006/0131469 A1 *	6/2006	Roy	F16L 3/02 248/346.03
2008/0054143 A1 *	3/2008	Collins	F16L 3/02 248/227.2
2008/0121763 A1 *	5/2008	Mori	H02G 3/32 248/68.1
2016/0221715 A1 *	8/2016	Pratt	B65D 19/44

* cited by examiner

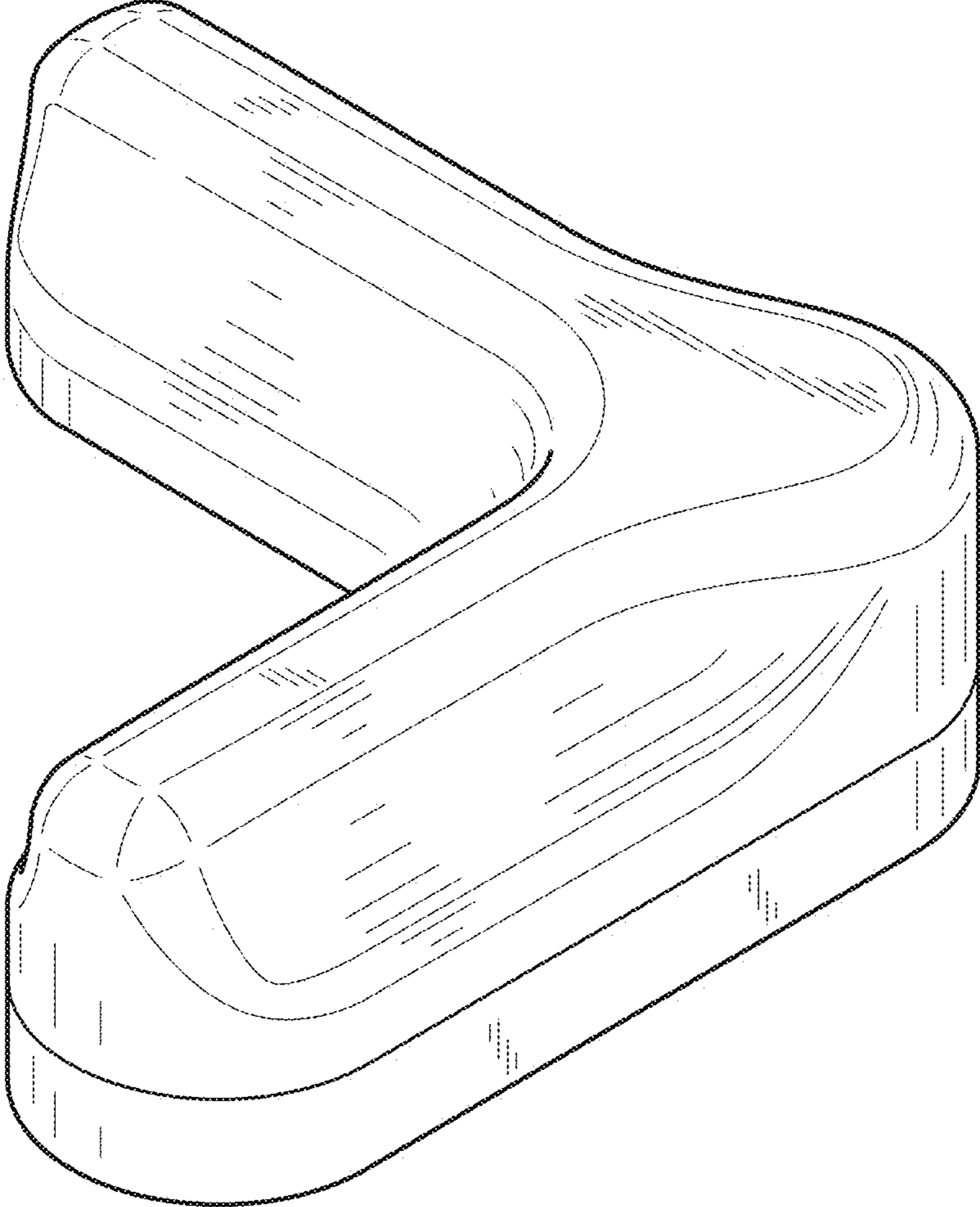


FIG. 1

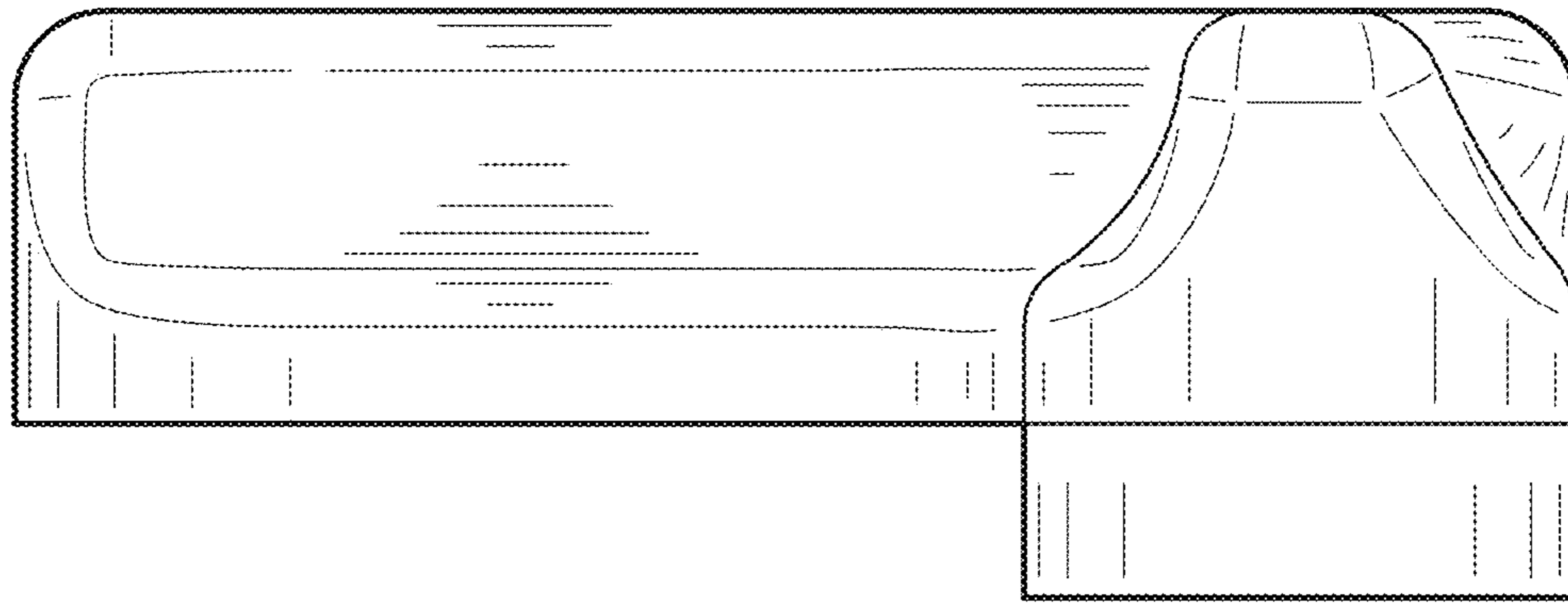


FIG. 2

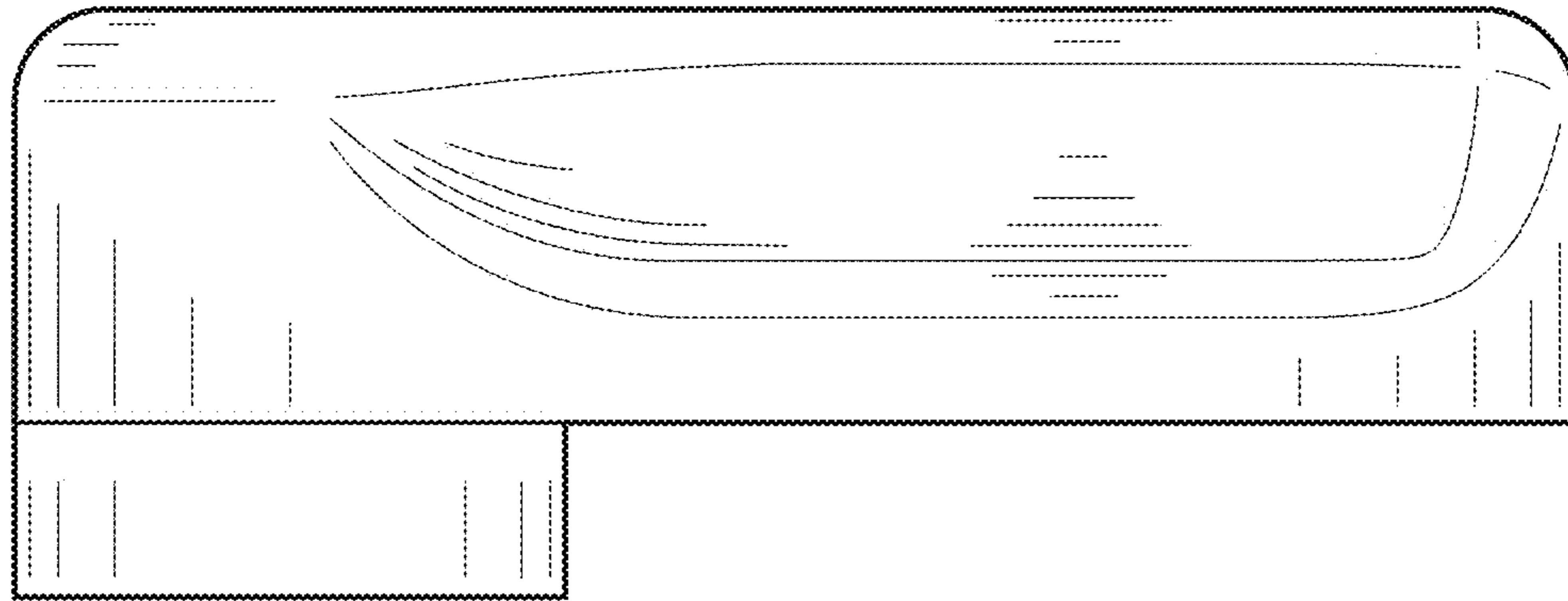


FIG. 3

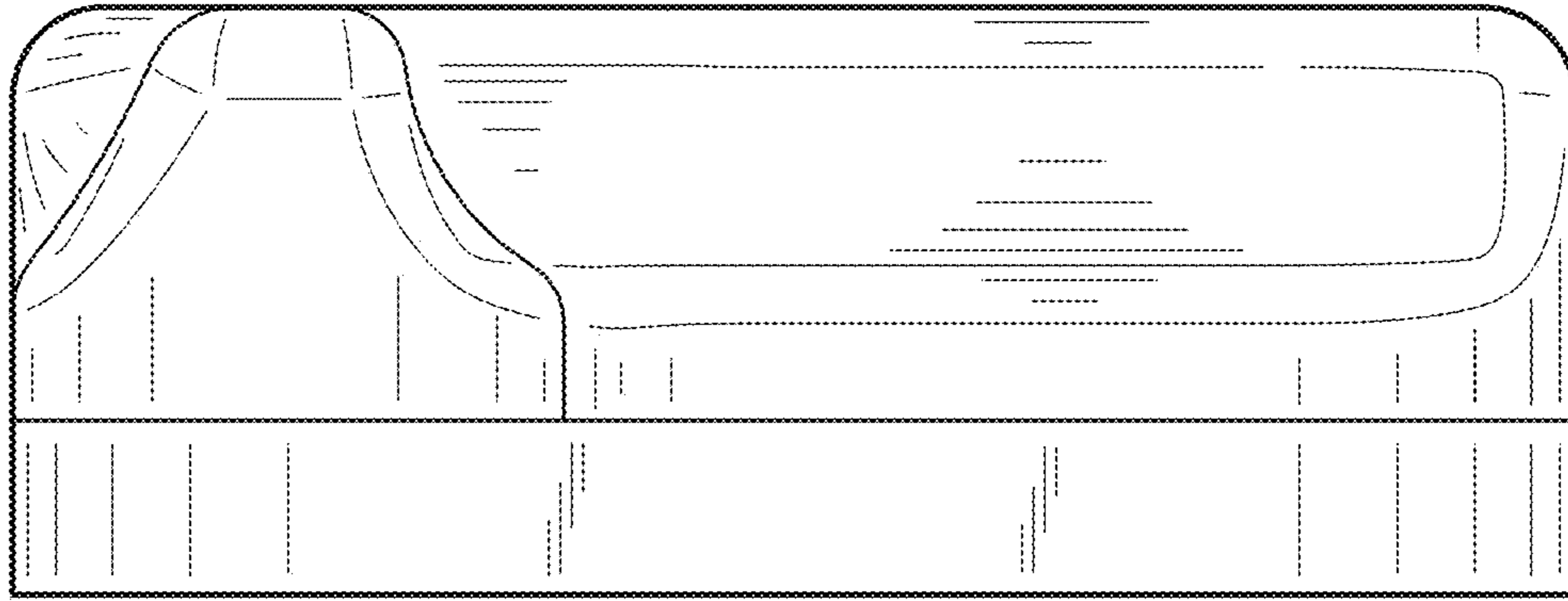


FIG. 4

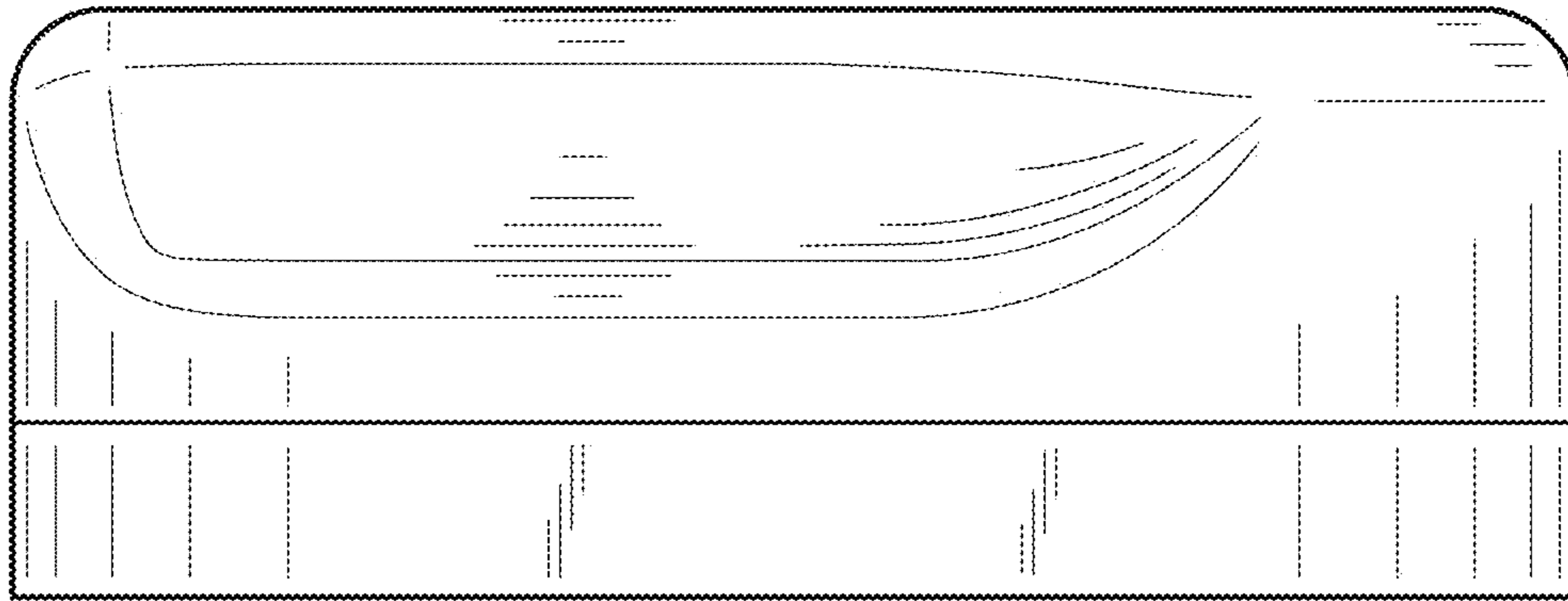


FIG. 5

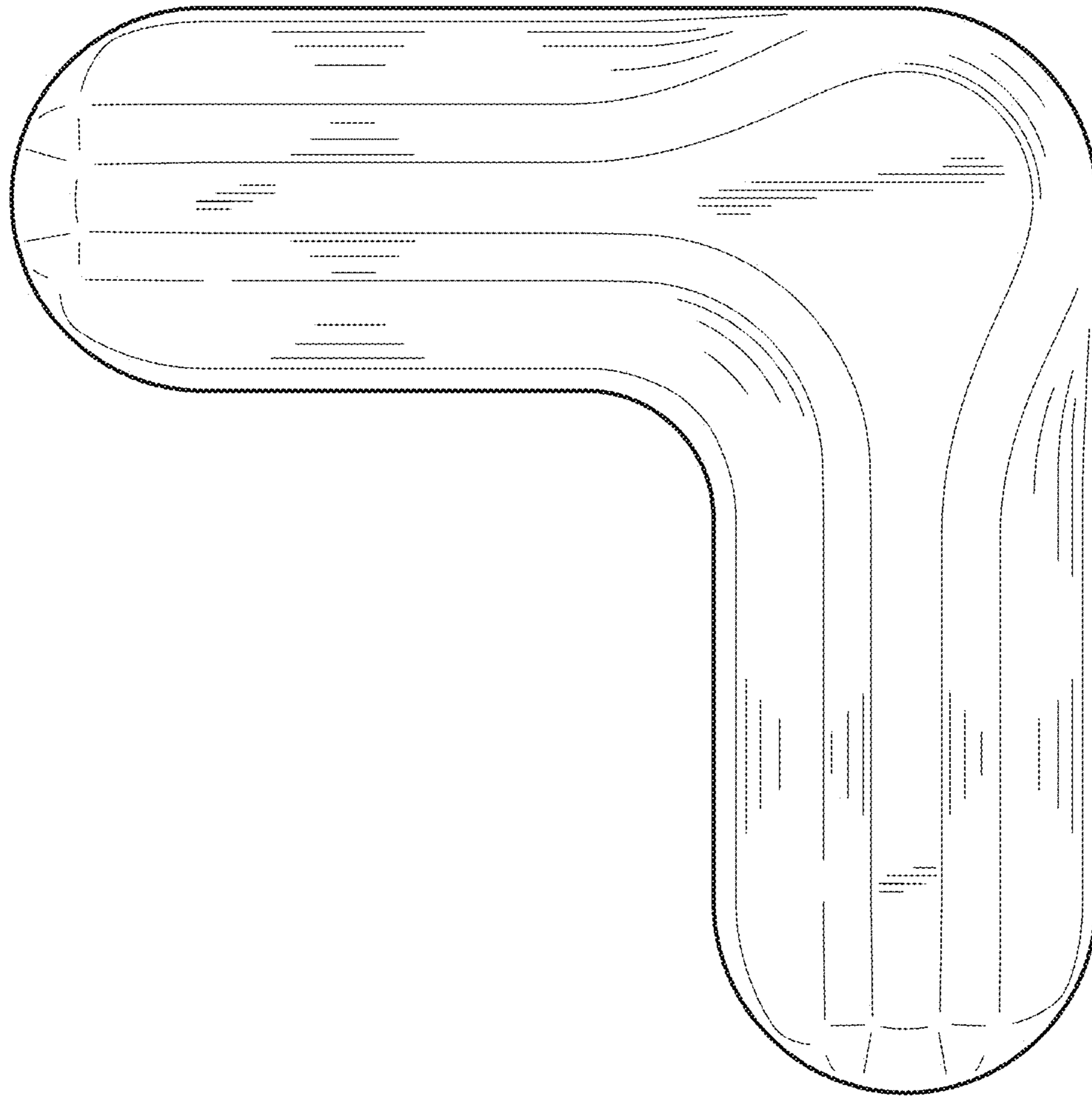


FIG. 6

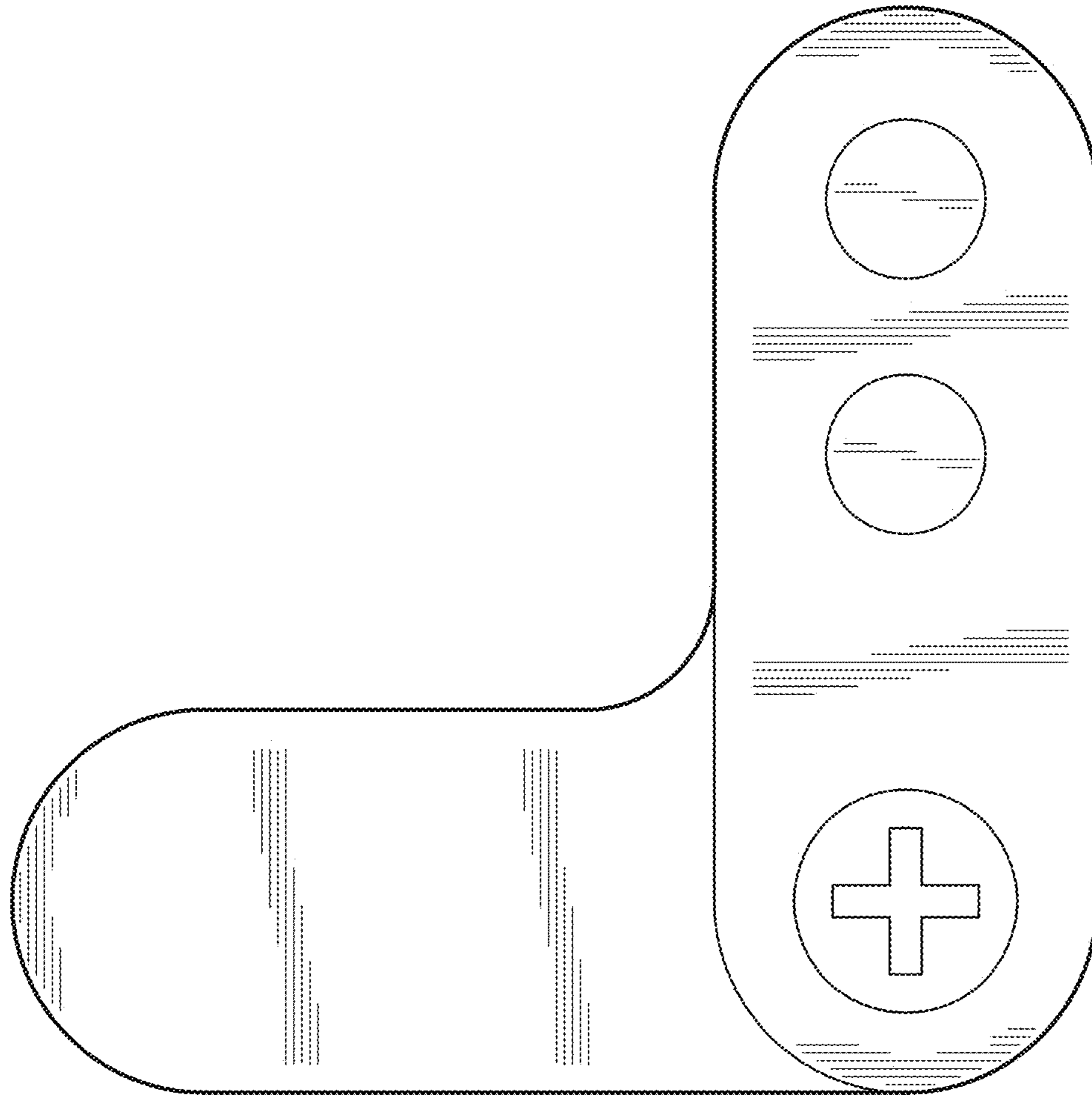


FIG. 7

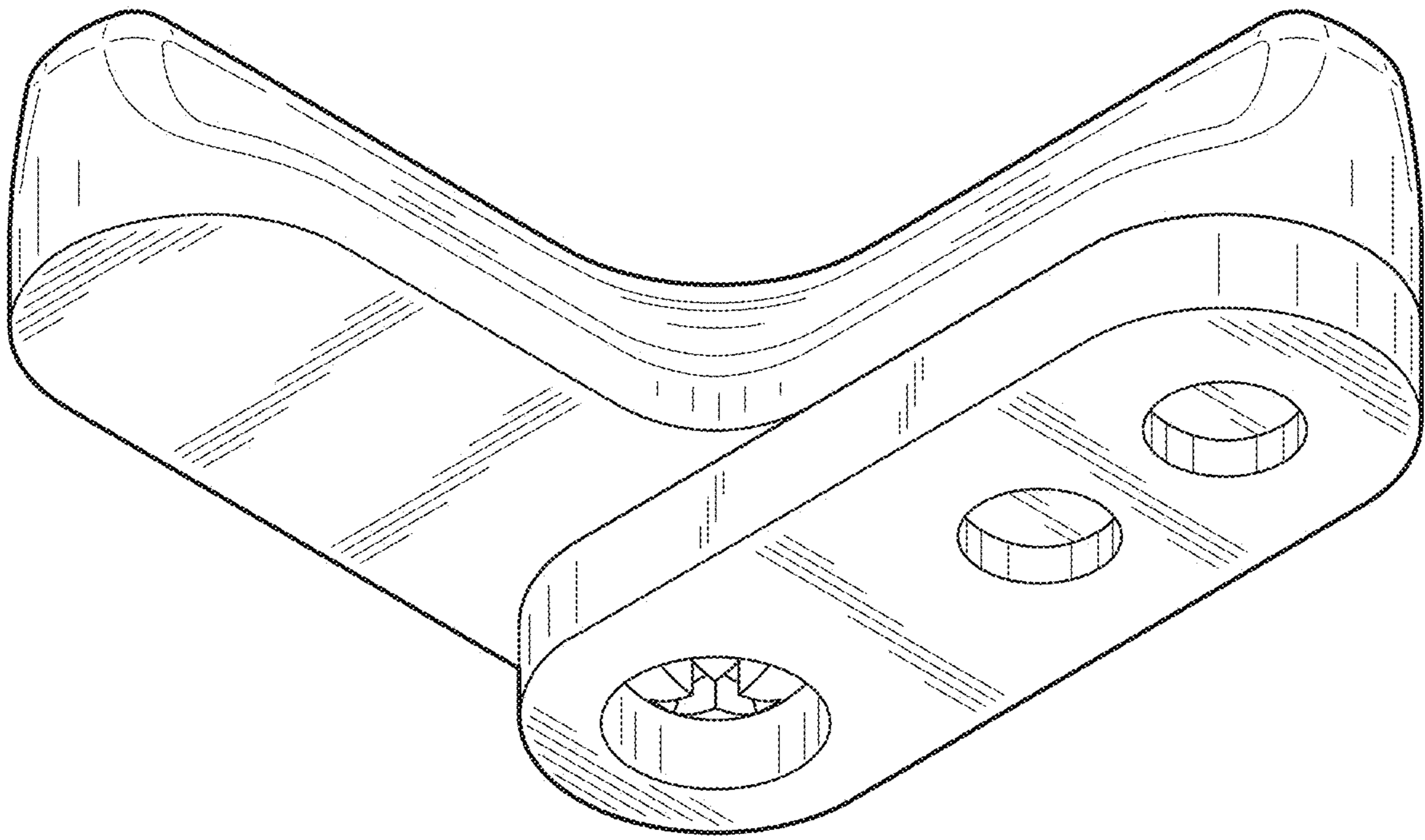


FIG. 8