



US00D878904S

(12) **United States Design Patent**  
**Holloway**

(10) **Patent No.:** **US D878,904 S**

(45) **Date of Patent:** **\*\* Mar. 24, 2020**

(54) **WIRING HARNESS BRACKET FOR A SECTIONAL DOOR**

(71) Applicant: **Graham Holloway**, Santa Maria, CA (US)

(72) Inventor: **Graham Holloway**, Santa Maria, CA (US)

(\*\*) Term: **15 Years**

(21) Appl. No.: **29/659,689**

(22) Filed: **Aug. 10, 2018**

(51) **LOC (12) Cl.** ..... **08-08**

(52) **U.S. Cl.**  
USPC ..... **D8/354**

(58) **Field of Classification Search**  
USPC ..... D8/349, 354, 363, 366, 371, 373, 376, D8/377, 380, 381, 394-396, 400; D25/49; 16/94 R, 95 R, 235, 249, 333, 16/344, DIG. 34, DIG. 40; 160/196.1, 160/199, 206; 248/200, 240, 291.1, 248/292.11, 298.1  
CPC ..... F16C 1/26; B66B 7/02; B65G 21/20  
See application file for complete search history.

(56) **References Cited**

**U.S. PATENT DOCUMENTS**

D442,469 S \* 5/2001 Roozen ..... D8/354  
D556,015 S \* 11/2007 Muchnik ..... D8/349  
D807,152 S \* 1/2018 Hansen ..... D8/354

D822,458 S \* 7/2018 Campbell ..... D8/354

\* cited by examiner

*Primary Examiner* — Randall H Gholson

(74) *Attorney, Agent, or Firm* — Ted Masters

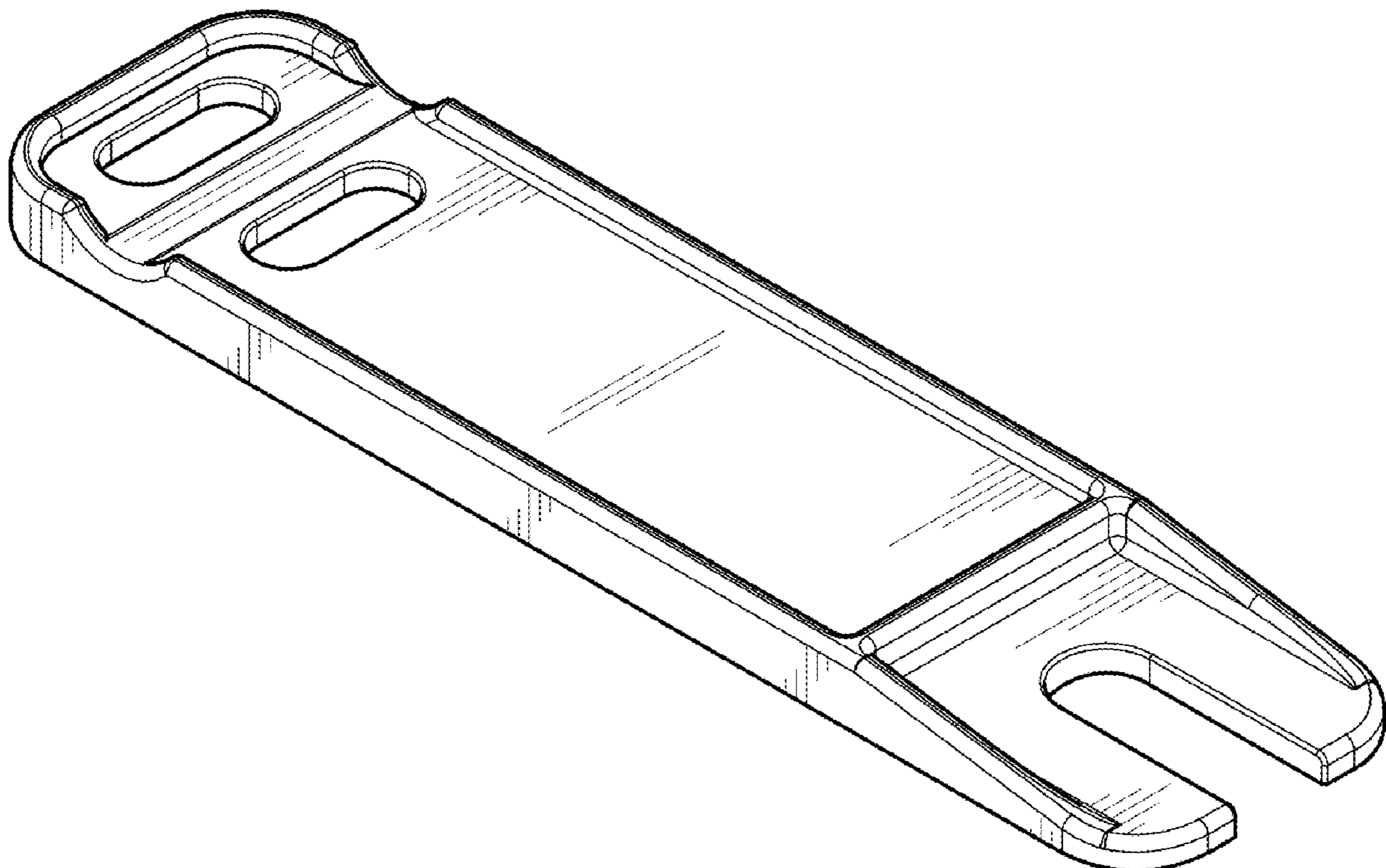
(57) **CLAIM**

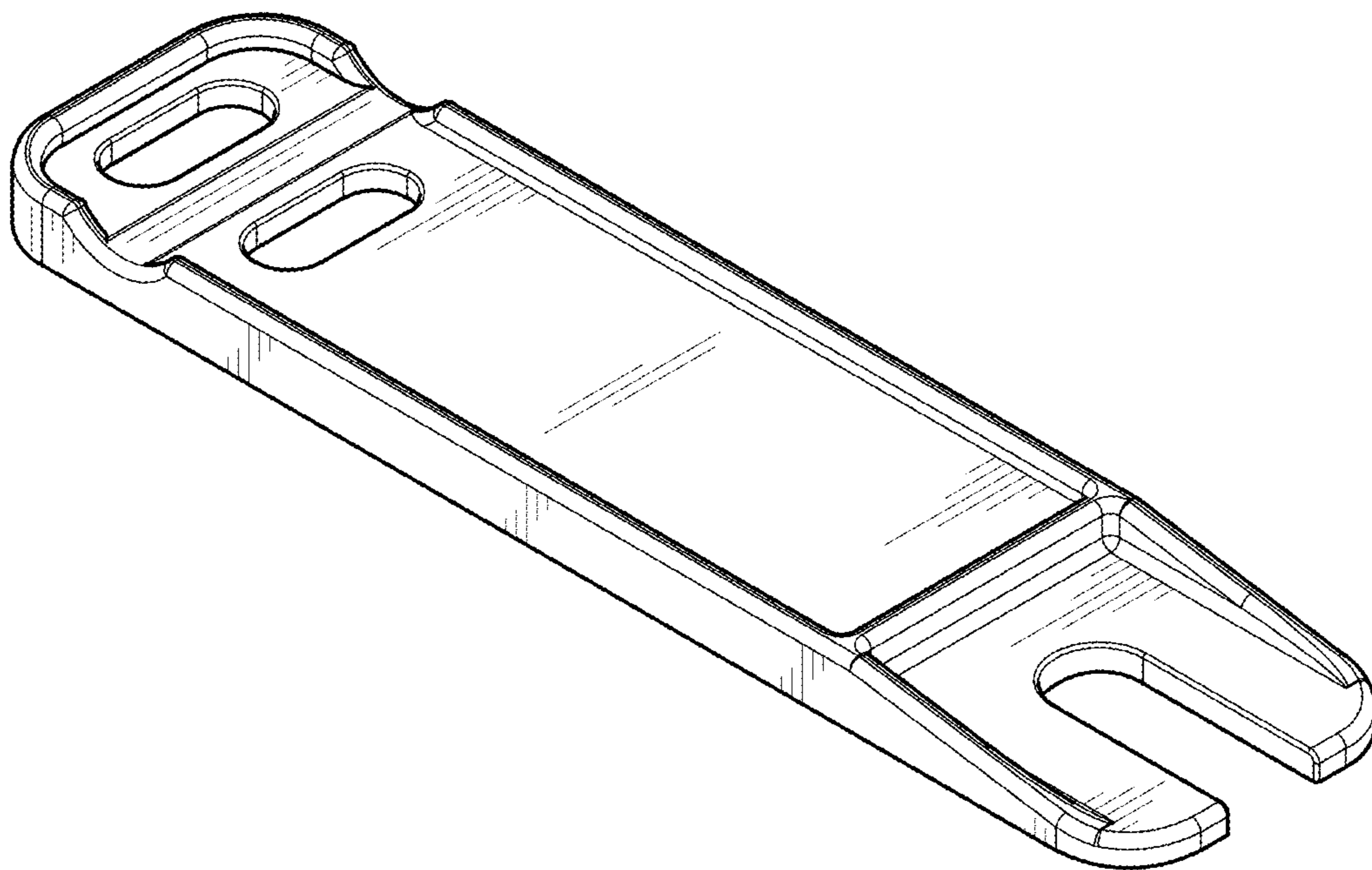
The ornamental design for a wiring harness bracket for a sectional door, as shown.

**DESCRIPTION**

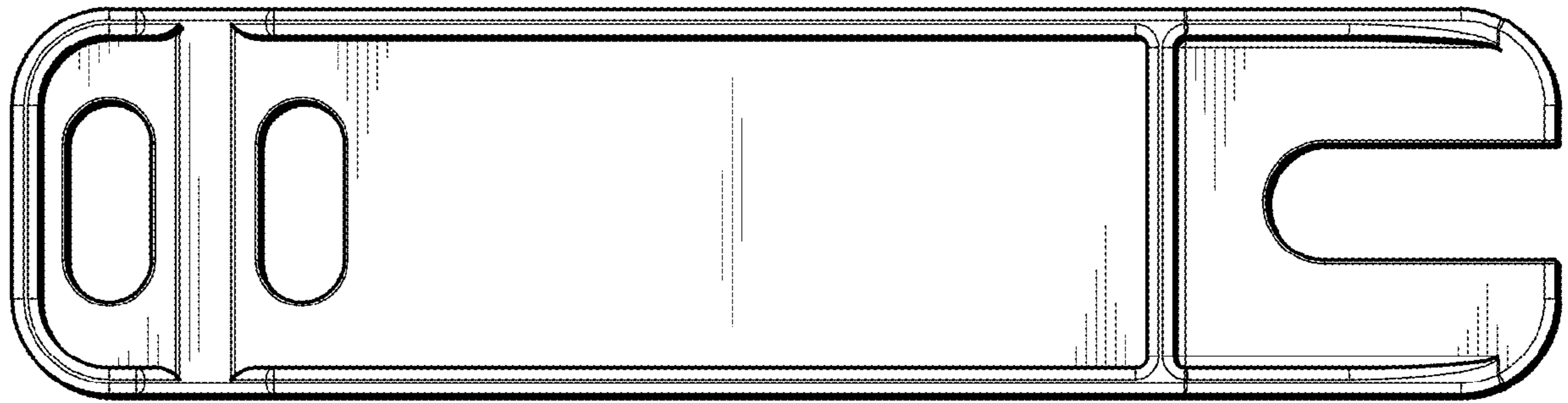
FIG. 1 is a top front perspective view of the wiring harness bracket for a sectional door;  
FIG. 2 is a top plan view of the wiring harness bracket for a sectional door;  
FIG. 3 is a side elevation view of the wiring harness bracket for a sectional door, the opposite side being the mirror image;  
FIG. 4 is a bottom plan view of the wiring harness bracket for a sectional door;  
FIG. 5 is an end elevation view of the wiring harness bracket for a sectional door;  
FIG. 6 is an opposite end elevation view of the wiring harness bracket for a sectional door; and,  
FIG. 7 is a bottom rear perspective view of the wiring harness bracket for a sectional door.

**1 Claim, 4 Drawing Sheets**

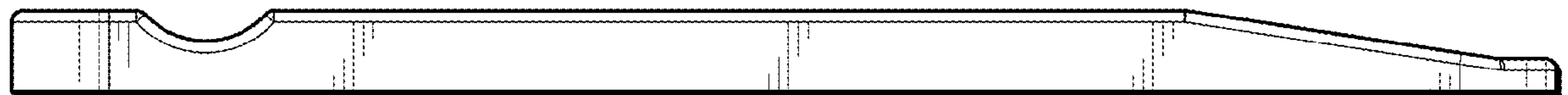




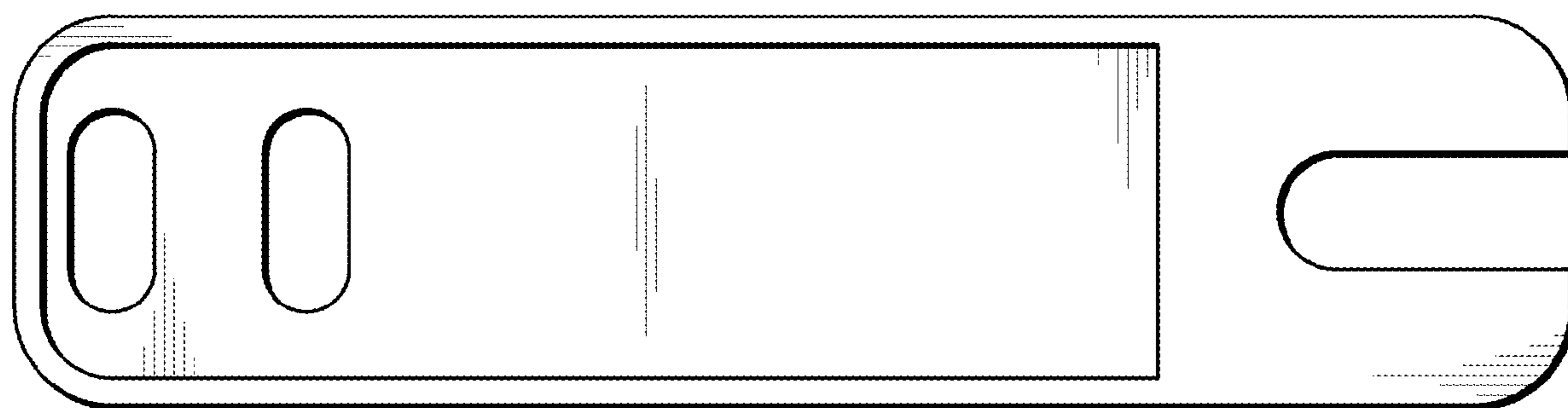
*FIG. 1*



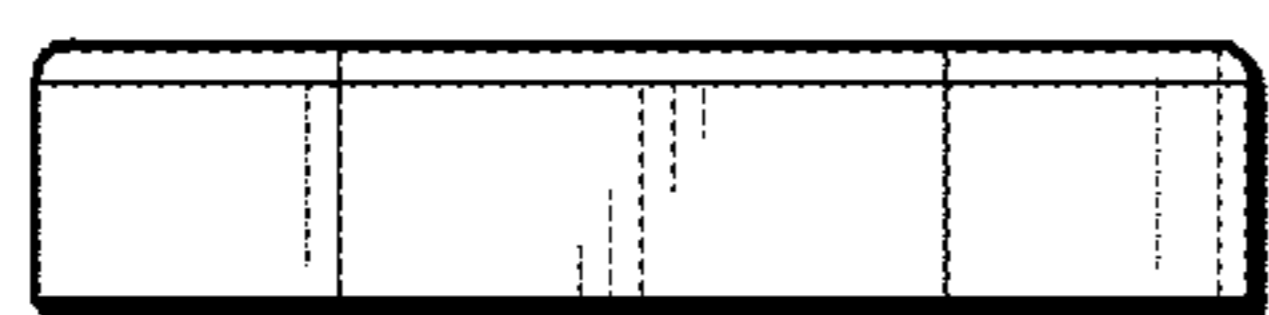
*FIG. 2*



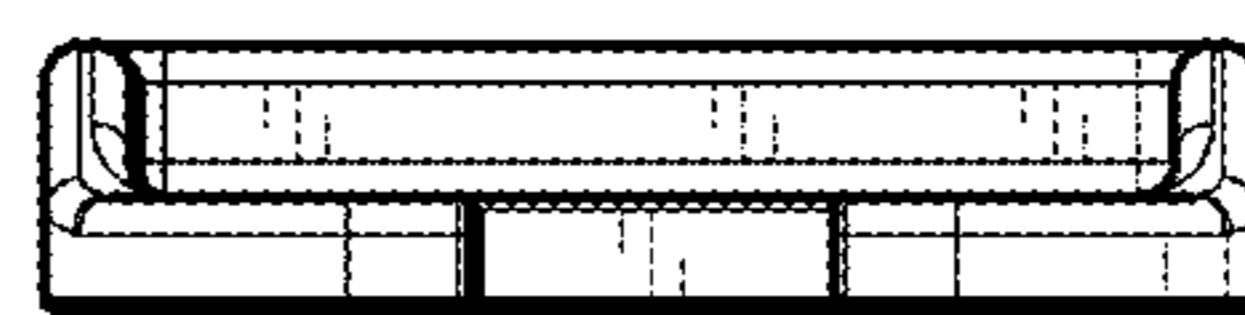
*FIG. 3*



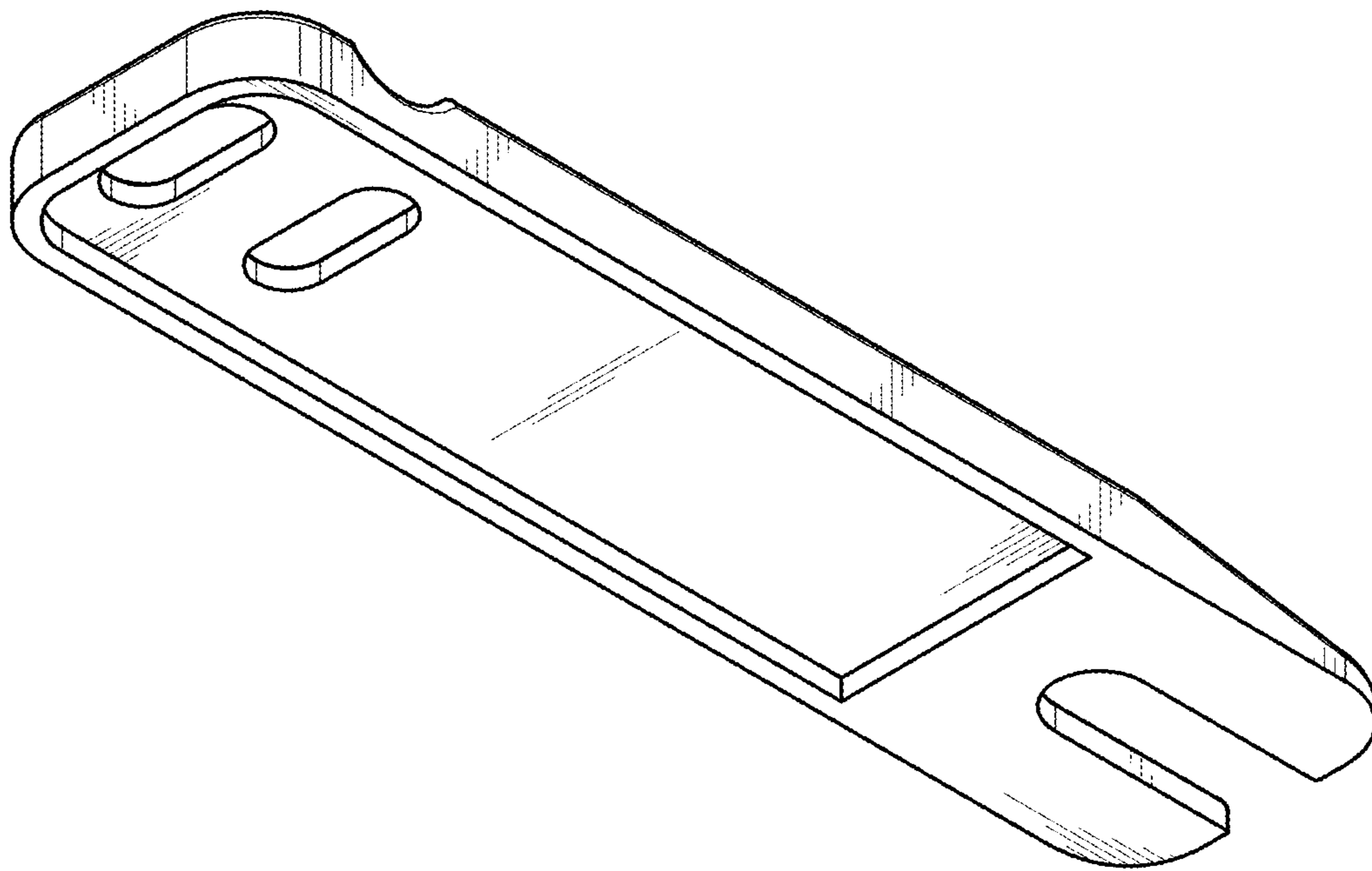
*FIG. 4*



*FIG. 5*



*FIG. 6*



*FIG. 7*