



US00D878901S

(12) **United States Design Patent**
Bunn

(10) **Patent No.:** **US D878,901 S**

(45) **Date of Patent:** **** Mar. 24, 2020**

(54) **CABINET HANDLE**

(71) Applicant: **Belwith Products, LLC**, Grandville, MI (US)

(72) Inventor: **Stephen D. Bunn**, Grand Rapids, MI (US)

(73) Assignee: **Belwith Products, LLC**, Grandville, MI (US)

(**) Term: **15 Years**

(21) Appl. No.: **29/680,093**

(22) Filed: **Feb. 13, 2019**

(51) **LOC (12) Cl.** **08-06**

(52) **U.S. Cl.**
USPC **D8/316**

(58) **Field of Classification Search**
USPC D8/316, 315, 317, 319, 320, 321, 331, D8/337, 338, 341; D28/41, 42
CPC Y10T 16/469; Y10T 16/44; Y10T 16/458; Y10T 16/498; Y10T 16/476; Y10T 16/459; Y10T 16/466; Y10T 16/4713; Y10T 16/4644; Y10T 16/513; Y10T 16/509; Y10T 16/473; Y10T 16/462; Y10T 16/4701

See application file for complete search history.

(56) **References Cited**

U.S. PATENT DOCUMENTS

2,498,139 A * 2/1950 Simjian A47F 3/12 248/467
D299,110 S * 12/1988 Jans D8/316

D299,111 S * 12/1988 Jans D8/316
D337,507 S * 7/1993 Jans D8/316
D649,855 S * 12/2011 Warmenhoven D8/320
D680,413 S * 4/2013 Ramsland D8/316
D779,912 S * 2/2017 Zimmer D8/316
D852,022 S * 6/2019 Warmenhoven D8/316

* cited by examiner

Primary Examiner — Keli L Hill

Assistant Examiner — Harold E Blackwell, II

(74) *Attorney, Agent, or Firm* — Economou IP Law; Vangelis Economou

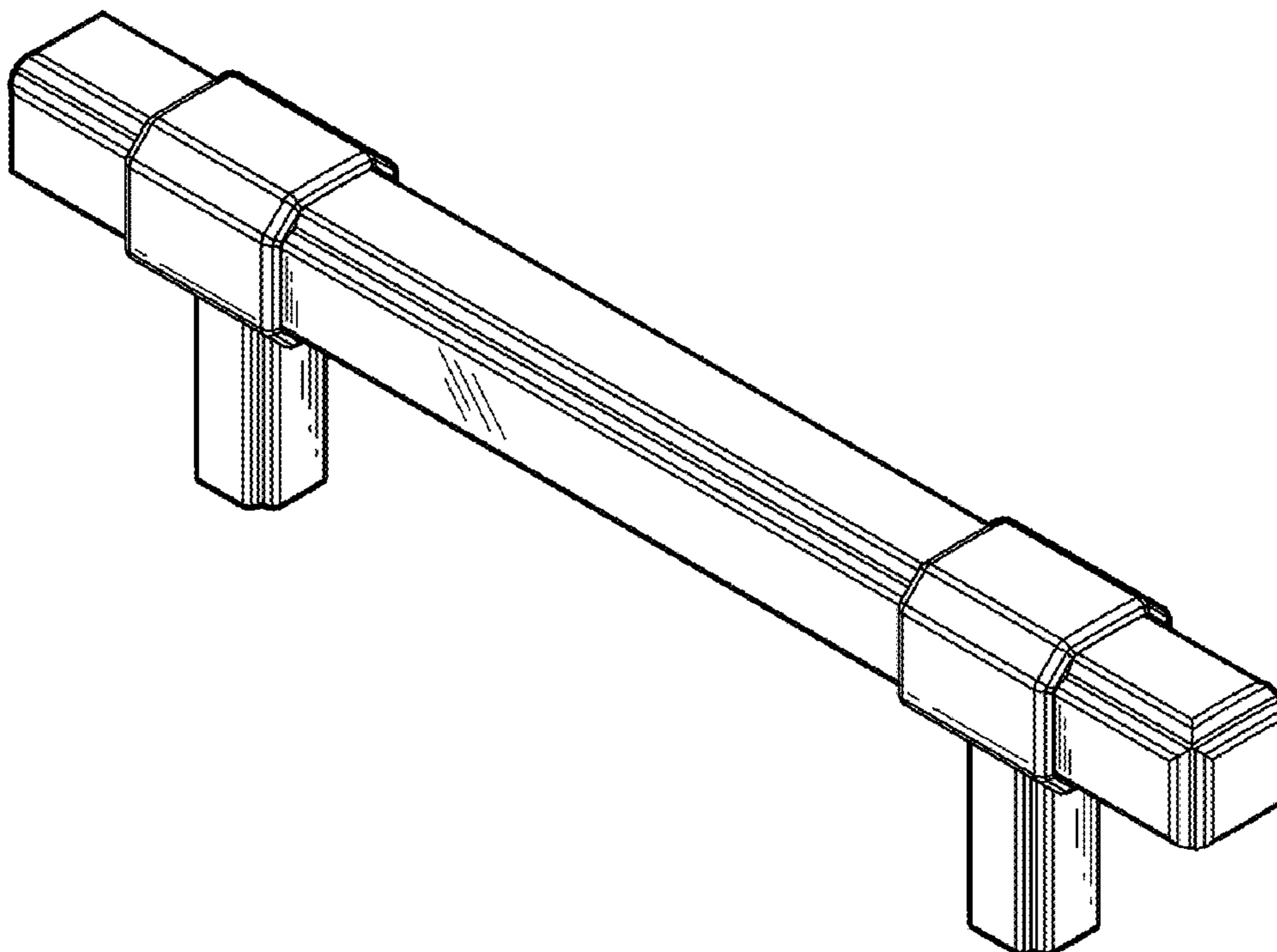
(57) **CLAIM**

The ornamental design for a cabinet handle, as shown and described.

DESCRIPTION

FIG. 1 is a perspective view of the cabinet handle showing my new design;
FIG. 2 is a reduced front elevational view thereof;
FIG. 3 is a back elevational view thereof;
FIG. 4 is a right side view thereof;
FIG. 5 is a left side view thereof;
FIG. 6 is a top view thereof; and,
FIG. 7 is a bottom view thereof
The broken lines in the drawings illustrate portions of a cabinet handle which form no part of the claimed design.

1 Claim, 2 Drawing Sheets



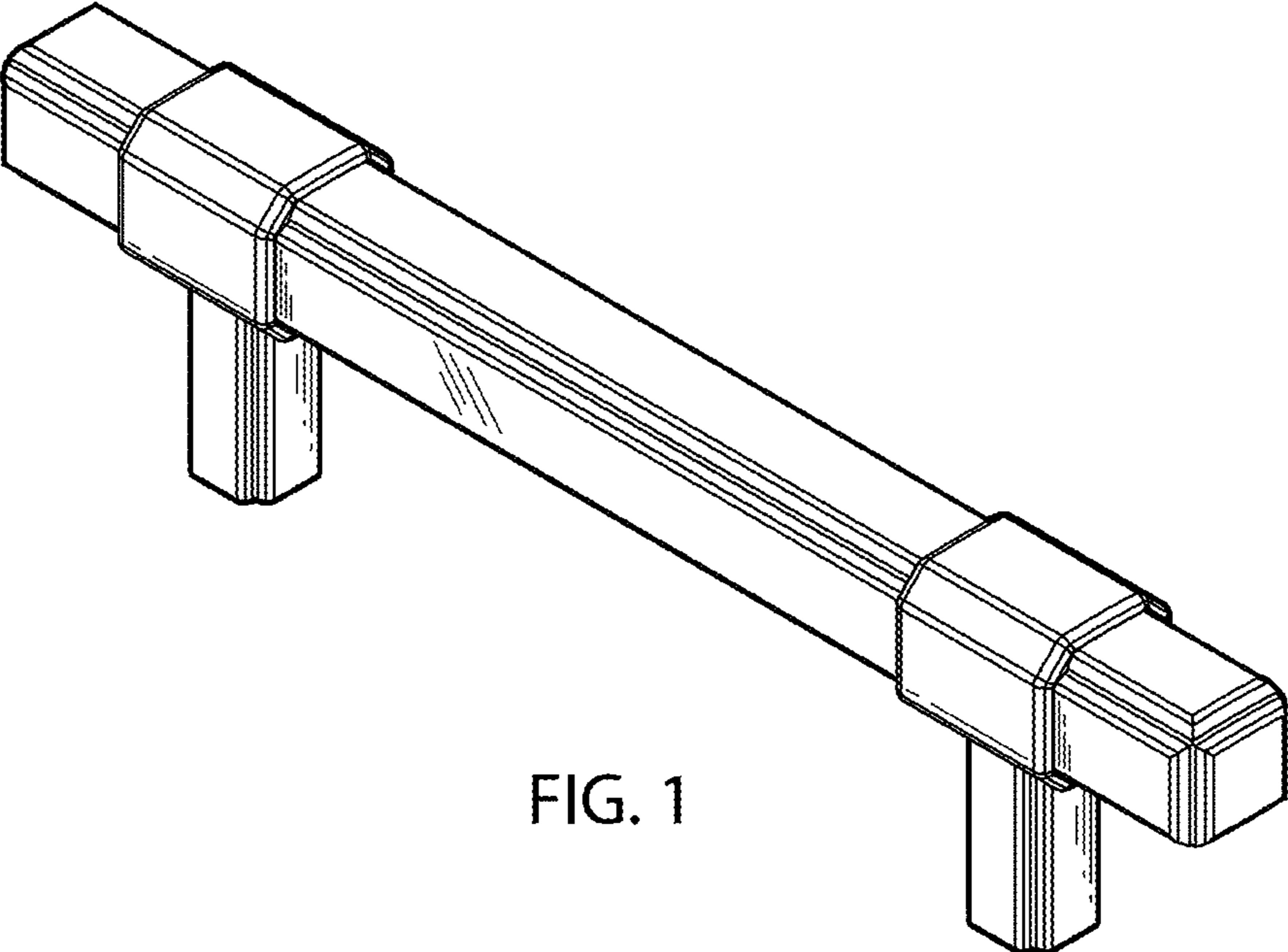


FIG. 1



FIG. 2



FIG. 3

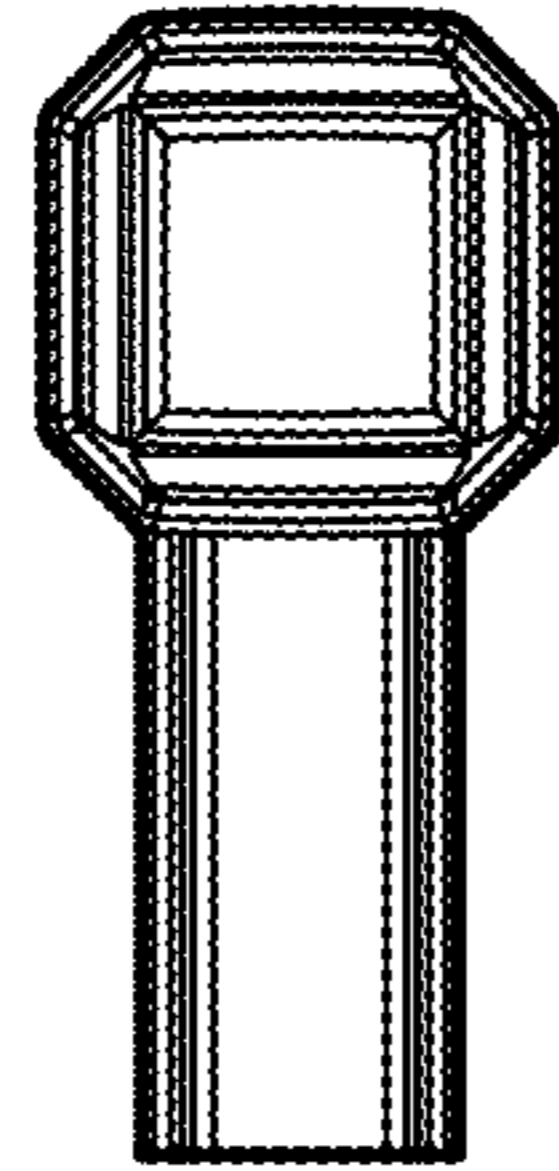


FIG. 4

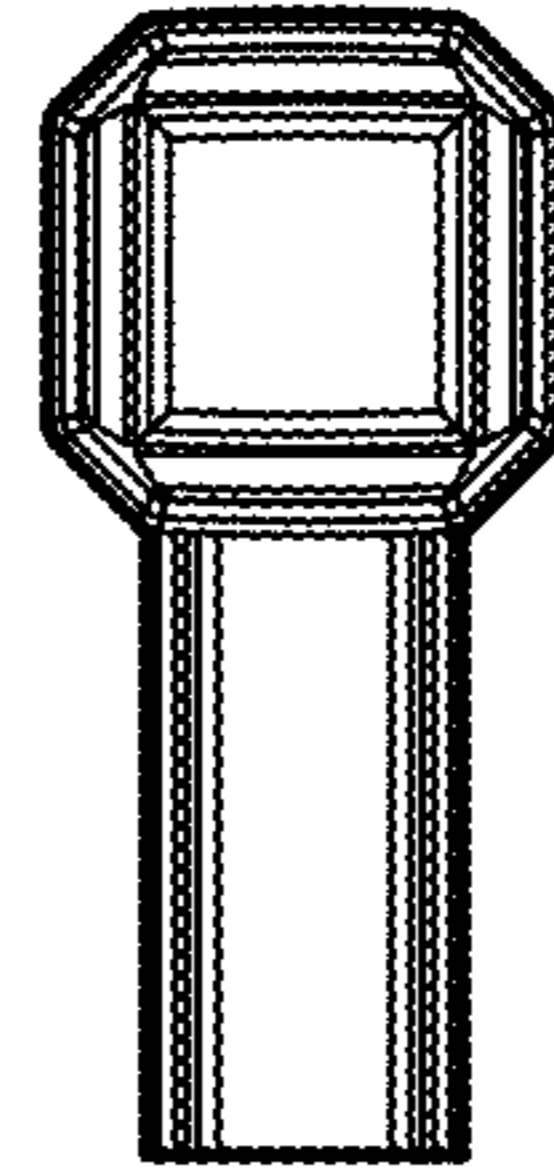


FIG. 5

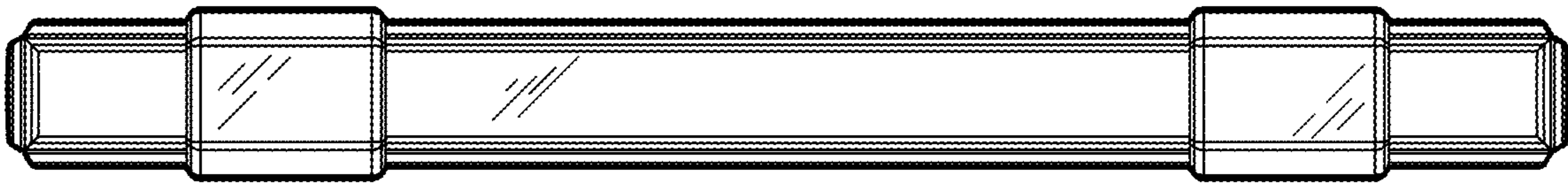


FIG. 6



FIG. 7