



US00D878896S

(12) **United States Design Patent** (10) **Patent No.:** **US D878,896 S**
Warmenhoven et al. (45) **Date of Patent:** **** Mar. 24, 2020**

(54) **CABINET HANDLE**

- (71) Applicant: **Belwith Products, LLC**, Grandville, MI (US)
- (72) Inventors: **David Jon Warmenhoven**, Grandville, MI (US); **Taylor Joan Olson**, Grand Rapids, MI (US)
- (73) Assignee: **Belwith Products, LLC**, Grandville, MI (US)
- (**) Term: **15 Years**
- (21) Appl. No.: **29/680,075**
- (22) Filed: **Feb. 13, 2019**
- (51) **LOC (12) Cl.** **08-06**
- (52) **U.S. Cl.**
USPC **D8/315**
- (58) **Field of Classification Search**
USPC D8/316, 315, 317, 319, 320, 321, 331, D8/337, 338, 341; D28/41, 42
CPC Y10T 16/469; Y10T 16/44; Y10T 16/458; Y10T 16/498; Y10T 16/476; Y10T 16/459; Y10T 16/466; Y10T 16/4713; Y10T 16/4644; Y10T 16/513; Y10T 16/509; Y10T 16/473; Y10T 16/462; Y10T 16/4701

See application file for complete search history.

(56) **References Cited**

U.S. PATENT DOCUMENTS

D597,396 S *	8/2009	Menzies	D8/315
D741,139 S *	10/2015	Sheppard	D8/319
D779,911 S *	2/2017	Zimmer	D8/316
D790,315 S *	6/2017	Zimmer	D8/316

* cited by examiner

Primary Examiner — Keli L Hill
Assistant Examiner — Harold E Blackwell, II
 (74) *Attorney, Agent, or Firm* — Economou IP Law;
 Vangelis Economou

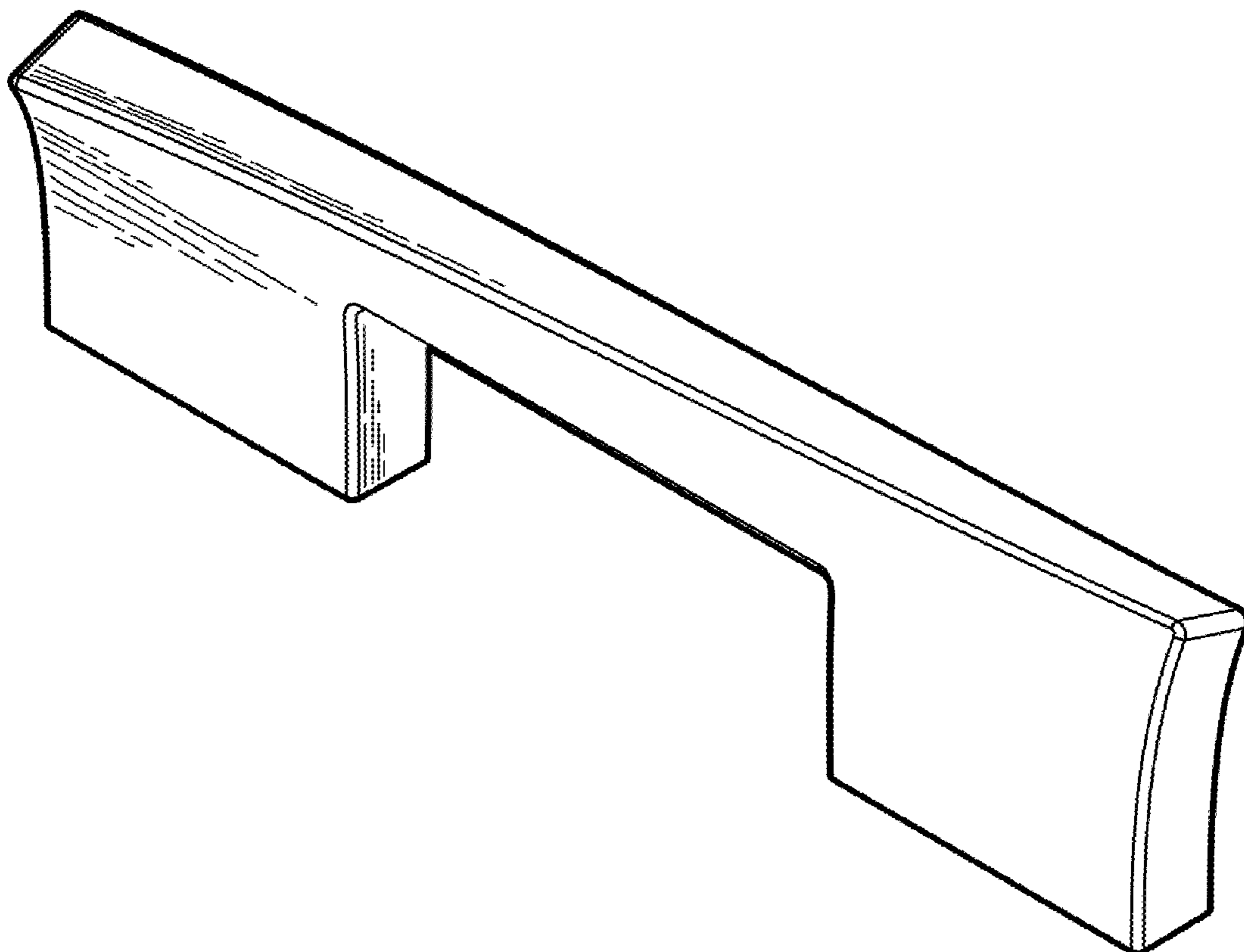
(57) **CLAIM**

The ornamental design for a cabinet handle, as shown and described.

DESCRIPTION

FIG. 1 is a perspective view of the cabinet handle showing my new design;
 FIG. 2 is a reduced front elevational view thereof;
 FIG. 3 is a back elevational view thereof;
 FIG. 4 is a right side view thereof;
 FIG. 5 is a left side view thereof;
 FIG. 6 is a top view thereof; and,
 FIG. 7 is a bottom view thereof.
 The broken lines in the drawings illustrate portions of a cabinet handle which form no part of the claimed design.

1 Claim, 2 Drawing Sheets



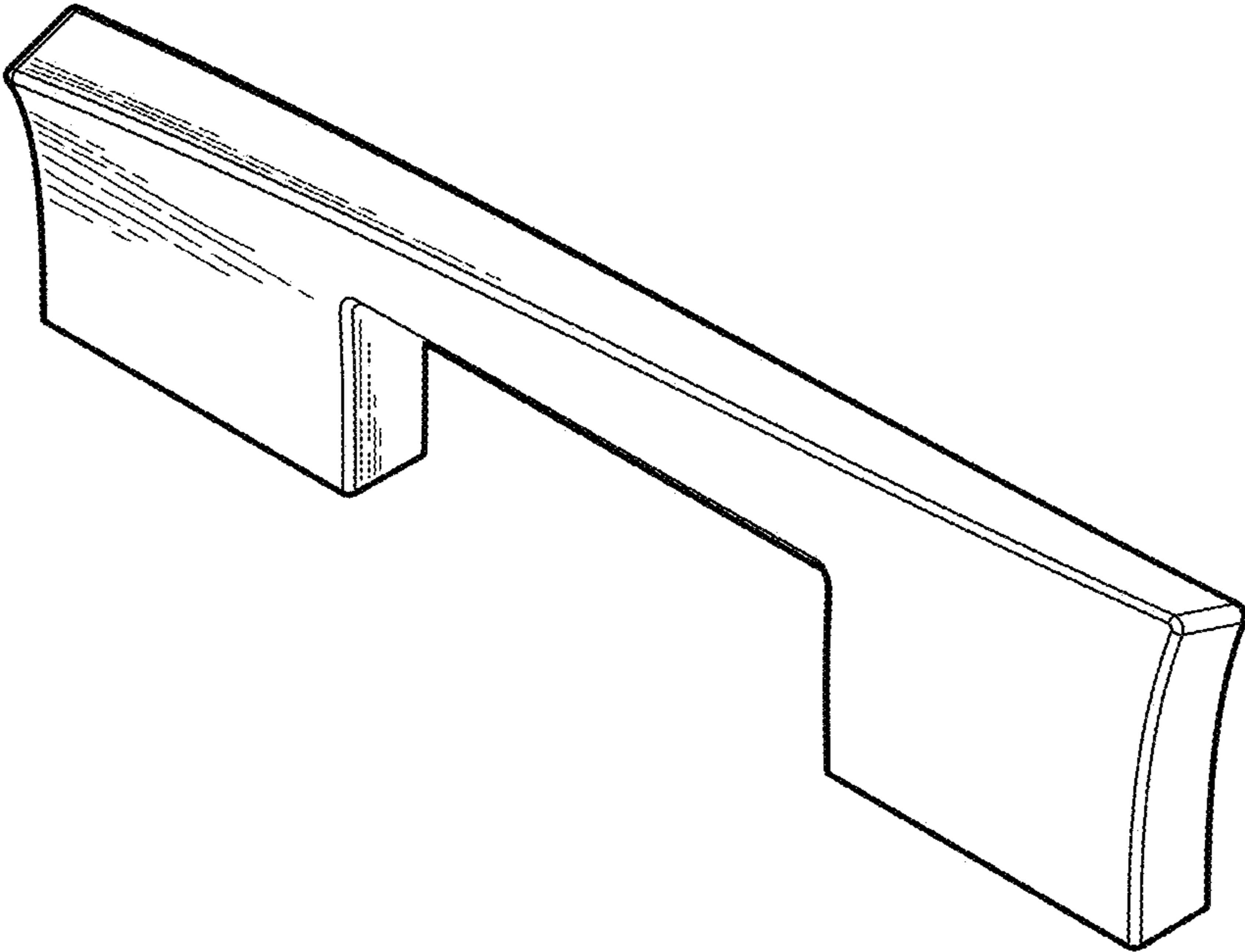


FIG. 1

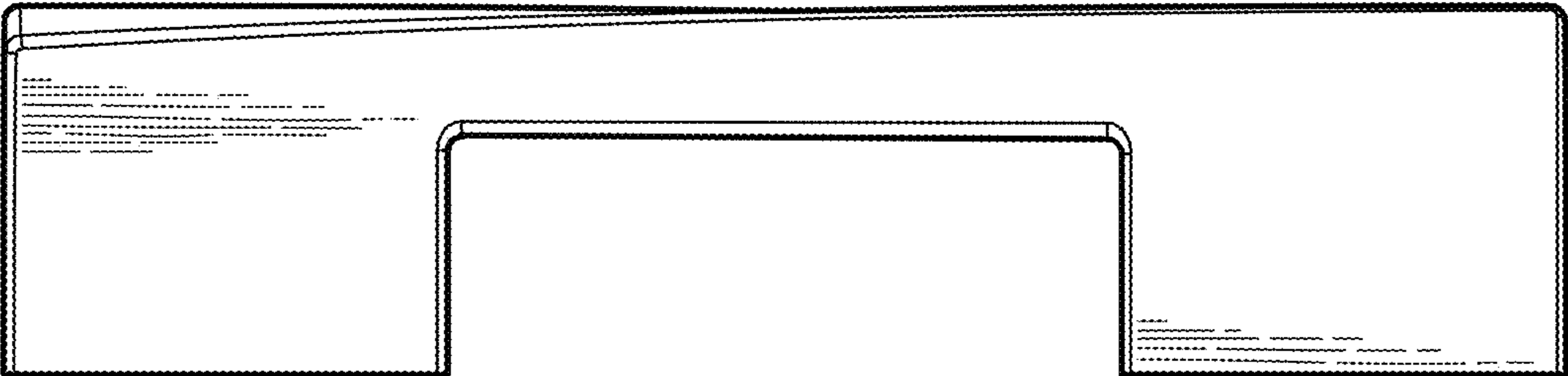


FIG. 2

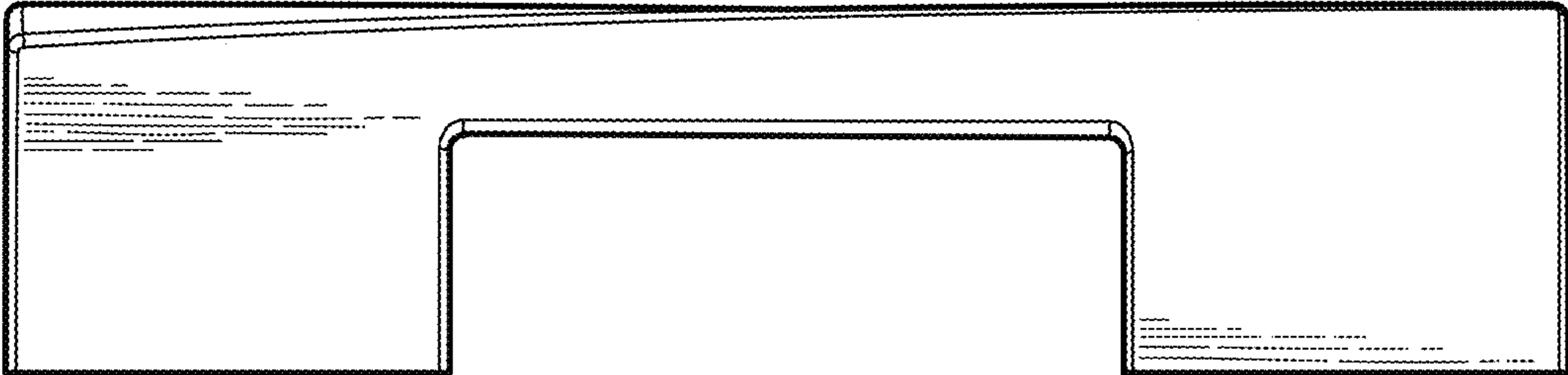


FIG. 3

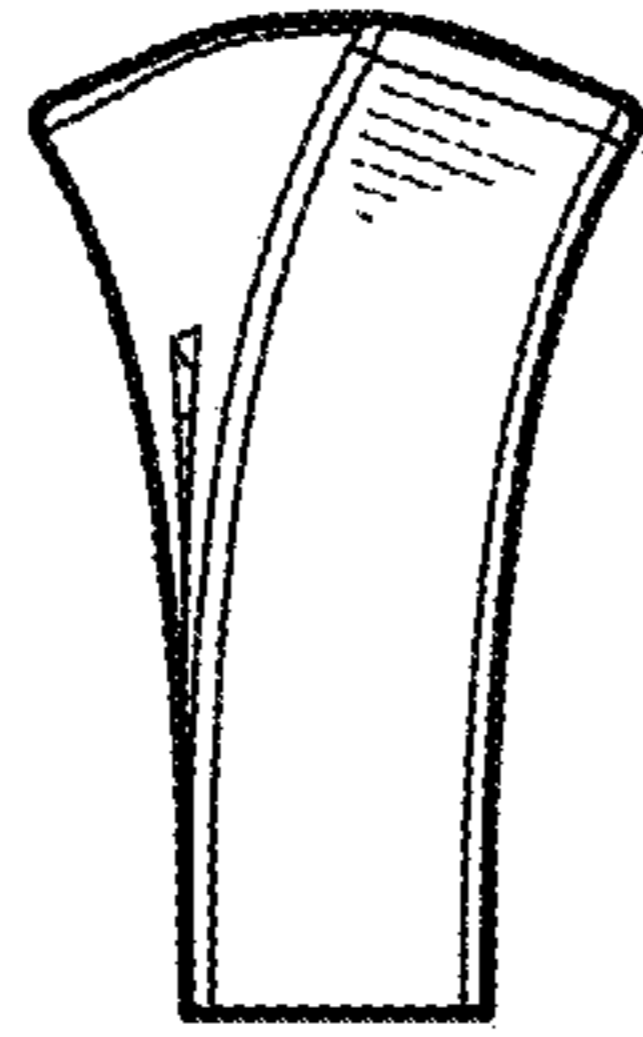


FIG. 4

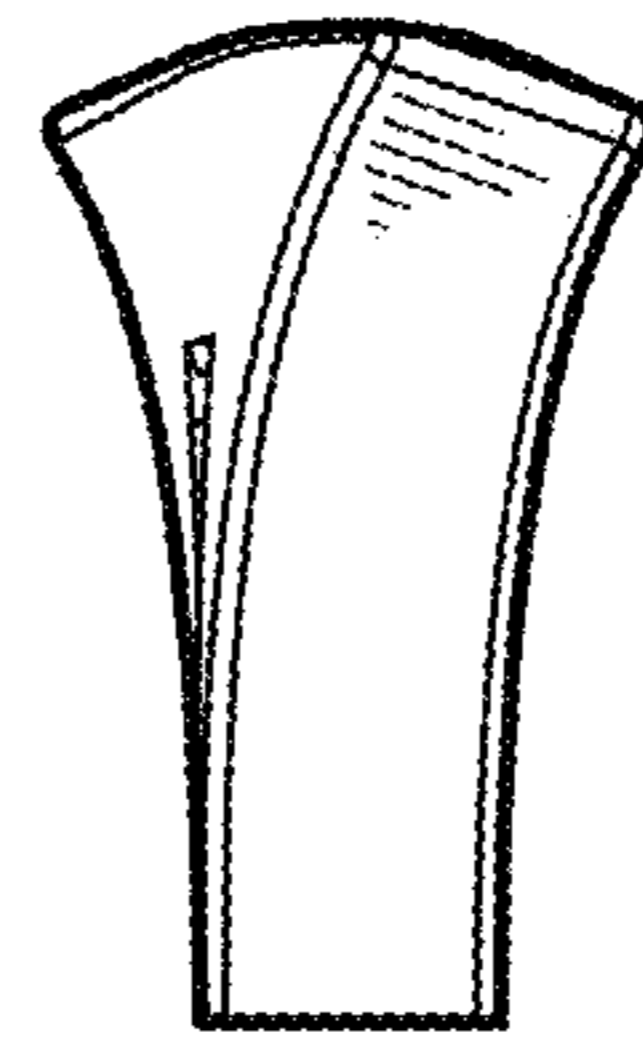


FIG. 5

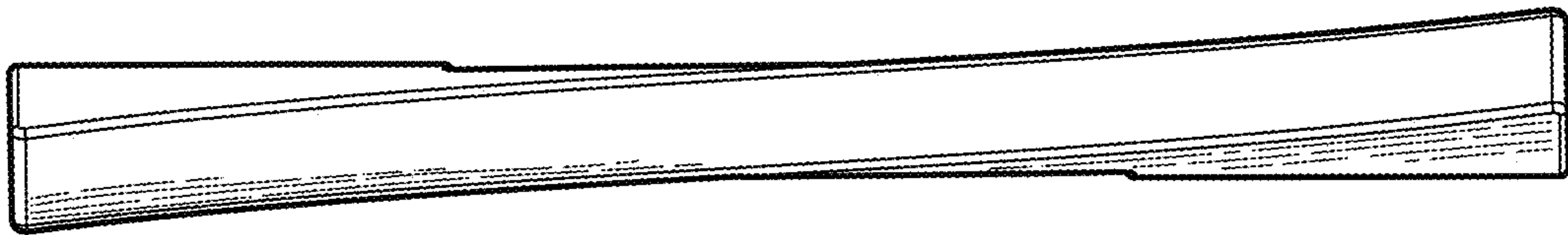


FIG. 6

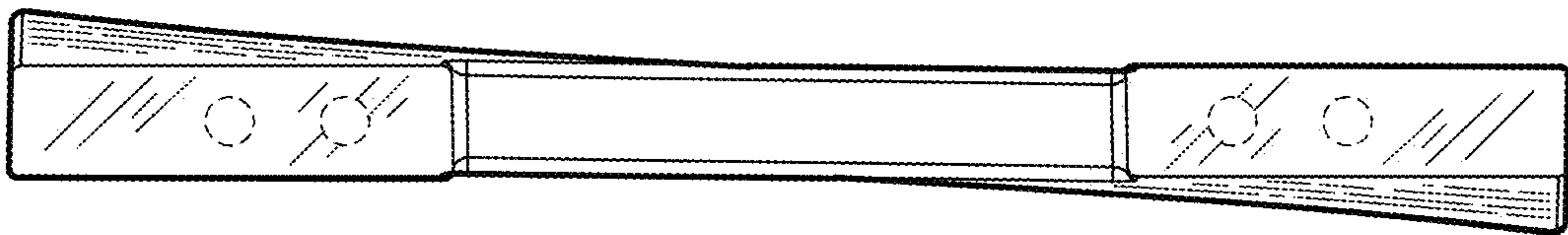


FIG. 7