



US00D878895S

(12) **United States Design Patent**
Brook et al.

(10) **Patent No.:** **US D878,895 S**

(45) **Date of Patent:** **** Mar. 24, 2020**

(54) **APPLIANCE HANDLE**

(71) Applicant: **Sunbeam Products, Inc.**, Boca Raton, FL (US)

(72) Inventors: **Nick Brook**, Sale (GB); **Elliott Copier**, Grand Rapids, MI (US)

(73) Assignee: **Sunbeam Products, Inc.**, Boca Raton, FL (US)

(**) Term: **15 Years**

(21) Appl. No.: **29/647,304**

(22) Filed: **May 11, 2018**

(51) **LOC (12) Cl.** **08-06**

(52) **U.S. Cl.**
USPC **D8/315**

(58) **Field of Classification Search**
USPC D8/300, 315, 316, 107; D14/129, 130, D14/132, 135, 138; D7/394, 393
CPC B27B 25/10; Y10T 83/6638; Y10T 83/04
See application file for complete search history.

(56) **References Cited**

U.S. PATENT DOCUMENTS

D216,668 S *	3/1970	Tims, Jr.	D8/45
D228,339 S *	9/1973	Zemke	D32/52
D360,763 S *	8/1995	Camp, Jr.	D4/129
D505,268 S *	5/2005	Potempa	D4/129

D620,215 S *	7/2010	Peng	D32/52
D687,260 S *	8/2013	Rae	D7/394
D696,065 S *	12/2013	Rae	D7/394
D746,596 S *	1/2016	Zemel	D4/129
D779,600 S *	2/2017	Dean	D21/686
D804,921 S *	12/2017	Neubauer	D8/14

* cited by examiner

Primary Examiner — Keli L Hill

Assistant Examiner — Harold E Blackwell, II

(74) *Attorney, Agent, or Firm* — Husch Blackwell LLP

(57) **CLAIM**

The ornamental design for the of appliance handle, as shown and described.

DESCRIPTION

FIG. 1 depicts a front perspective view of an appliance handle of the present disclosure;

FIG. 2 depicts a right side view of the appliance handle of FIG. 1;

FIG. 3 depicts a front view of the appliance handle of FIG. 1; and,

FIG. 4 depicts a front view of the appliance handle of FIG. 1.

The left side view is identical to the right side view and the rear view is identical to the front view, and are therefore not included herein,

The broken lines in the drawings depict portions of the appliance handle that form no part of the claimed design.

1 Claim, 2 Drawing Sheets

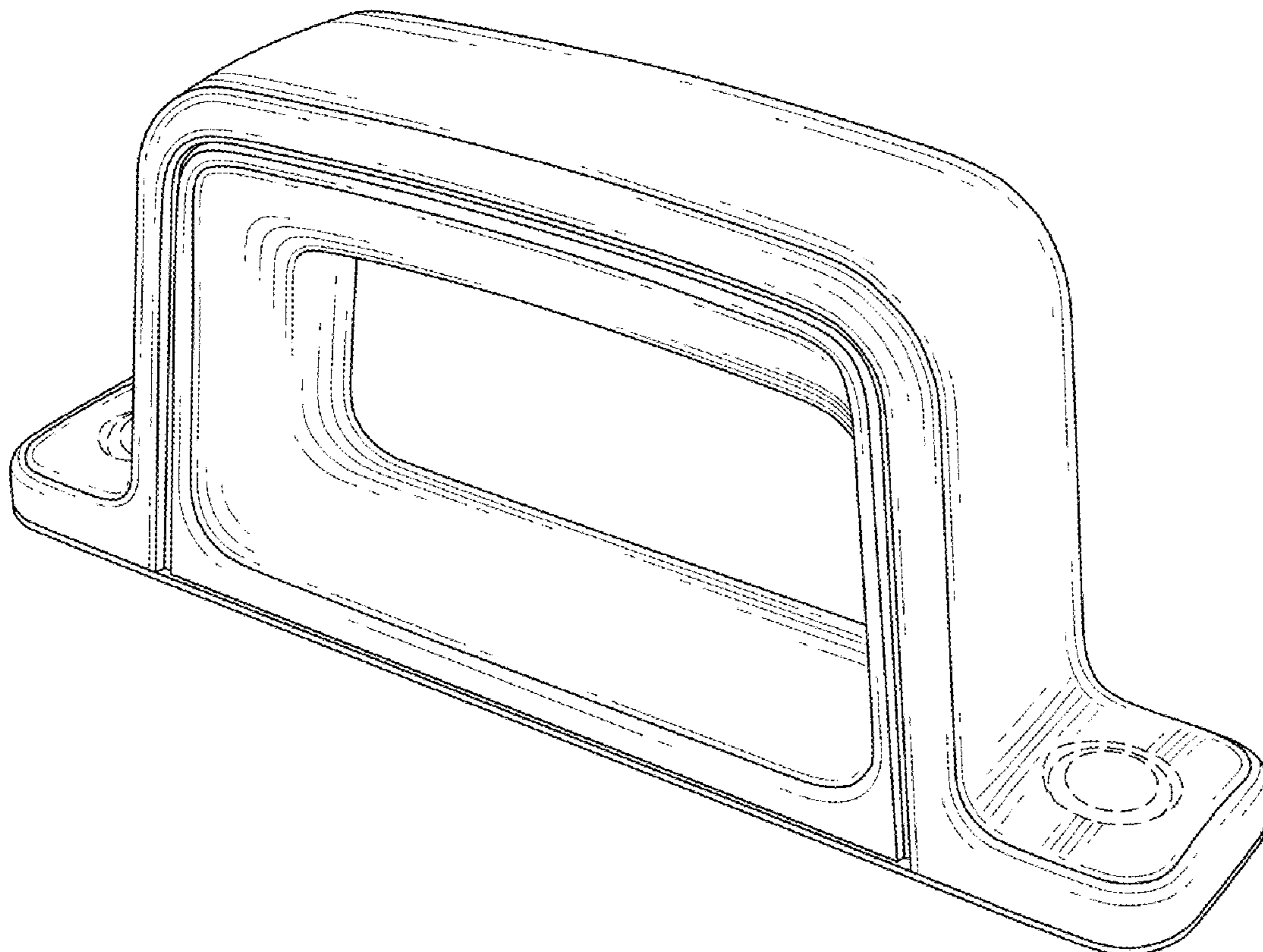


FIG. 1

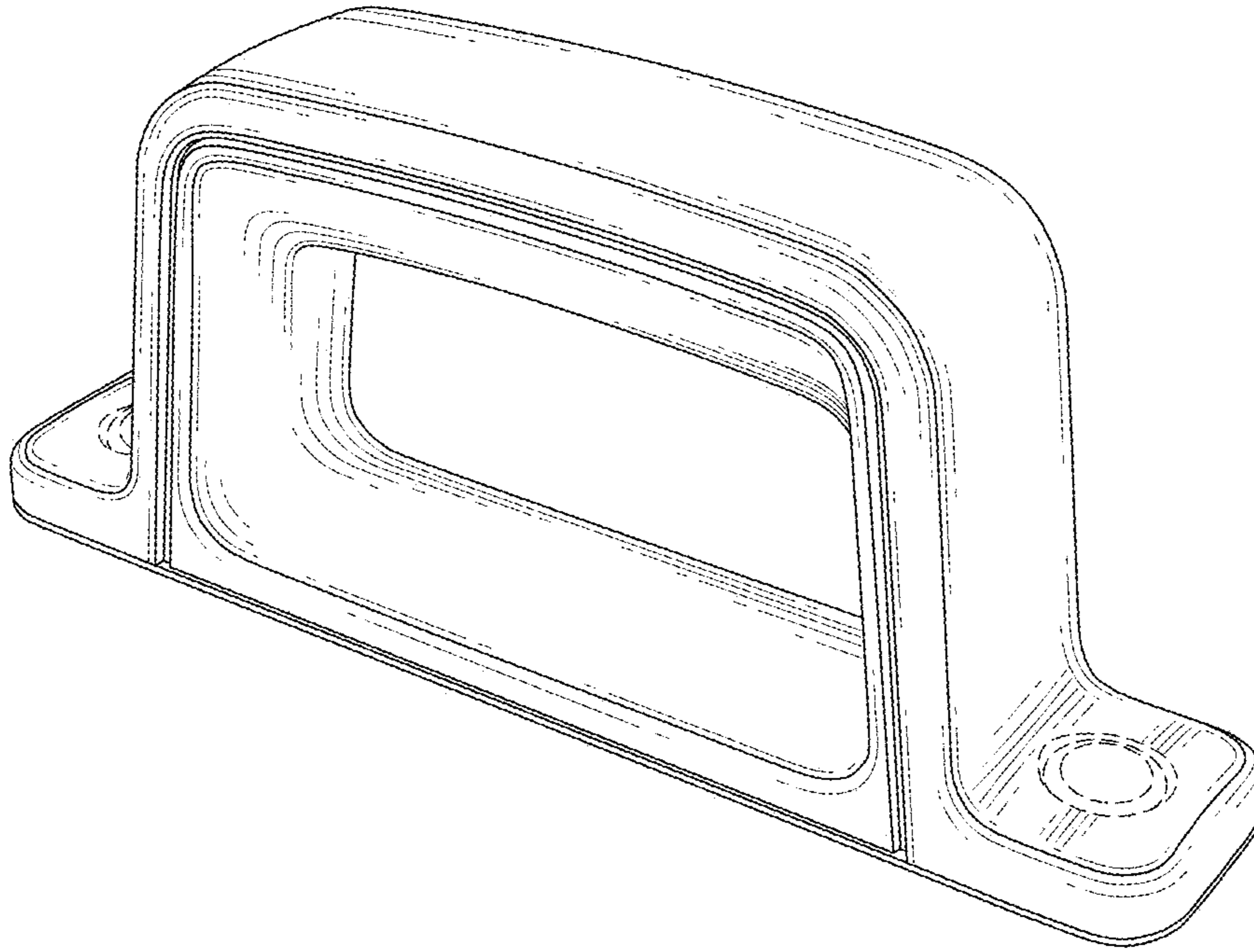


FIG. 2

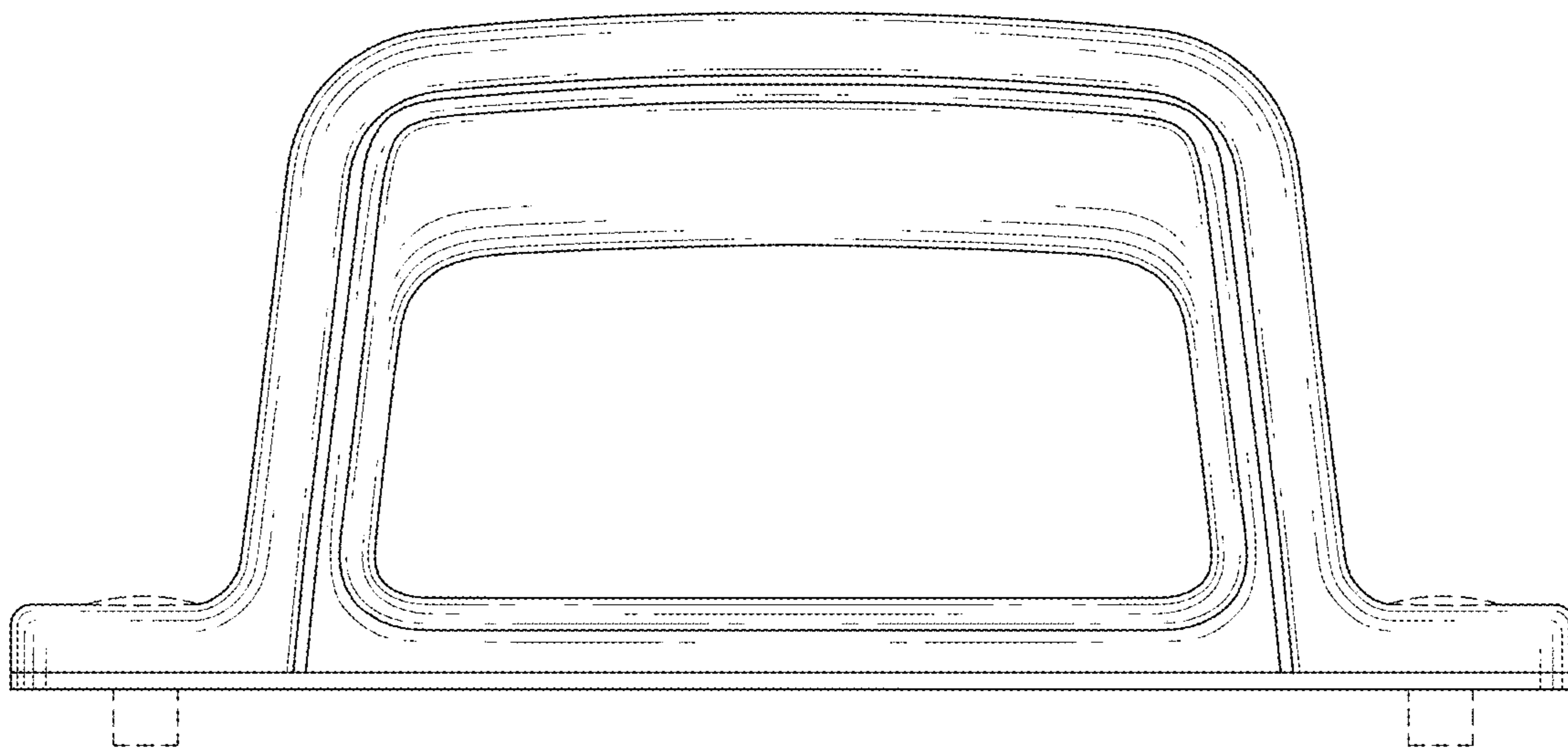


FIG. 3

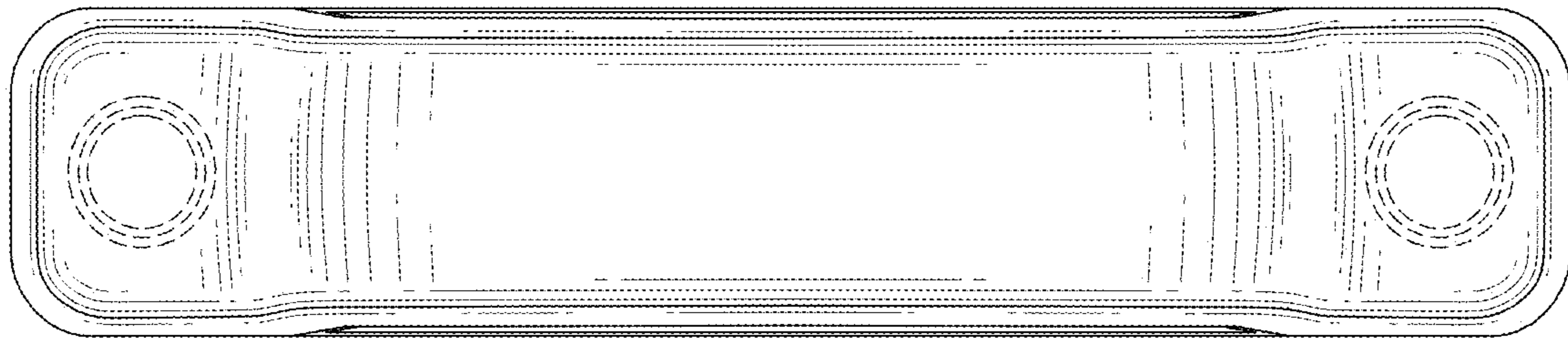


FIG. 4

