



US00D878894S

(12) **United States Design Patent**
Wilson, II

(10) **Patent No.:** **US D878,894 S**
(45) **Date of Patent:** **** Mar. 24, 2020**

- (54) **SELECTION KNOB ASSEMBLY**
- (71) Applicant: **Hunter Engineering Company, St. Louis, MO (US)**
- (72) Inventor: **James D. Wilson, II, Collinsville, IL (US)**
- (73) Assignee: **Hunter Engineering Company, St. Louis, MO (US)**
- (**) Term: **15 Years**
- (21) Appl. No.: **29/639,738**
- (22) Filed: **Mar. 8, 2018**
- (51) **LOC (12) Cl.** **08-06**
- (52) **U.S. Cl.**
USPC **D8/301; D8/312**
- (58) **Field of Classification Search**
USPC D8/107, 300, 301, 307, 310, 311, 312;
D23/250, 421
CPC ... Y10T 292/57; Y10T 292/82; Y10T 16/469;
Y10T 16/44; Y10T 16/476; Y10T
74/2084; Y10T 292/85; Y10T 74/2087;
Y10T 16/4713; Y10T 16/506; Y10T
74/20876; Y10T 74/20612; Y10T
70/5765; Y10T 16/459; Y10T 74/2066;
Y10T 16/487; Y10T 74/20822
See application file for complete search history.

(56) **References Cited**

U.S. PATENT DOCUMENTS

D93,624 S	*	10/1934	Kasch	D8/312
D119,892 S	*	4/1940	Ressinger	D8/312
D143,807 S	*	2/1946	Eastham	D8/312
D162,686 S	*	3/1951	Petterson	D8/312
D176,508 S	*	1/1956	Enos	D8/311
D298,410 S	*	11/1988	Duke	D8/300

D423,514 S	*	4/2000	Shindo	D14/240
D543,828 S	*	6/2007	Strutin-Belinoff	D8/310
D588,109 S	*	3/2009	Miyazato	D14/217
D589,776 S	*	4/2009	Camp	D8/310
D600,094 S	*	9/2009	Hwang	D8/312
D604,216 S	*	11/2009	Kraus	D12/192
D632,294 S	*	2/2011	Frank	D14/413
D676,551 S	*	2/2013	Desai	D24/129
D715,126 S	*	10/2014	Kim	D7/393
D779,454 S	*	2/2017	Crescenze	D14/144
D786,650 S	*	5/2017	Lira-Nunez	D8/311
D796,293 S	*	9/2017	Alliss	D8/310
D849,501 S	*	5/2019	Wilson, II	D8/302
D863,932 S	*	10/2019	Onishi	D8/301
2009/0084220 A1	*	4/2009	Morizono	B60H 1/0065 74/501.6

(Continued)

Primary Examiner — Lauren R Calve

(74) *Attorney, Agent, or Firm* — Sandberg Phoenix & von Gontard P.C.

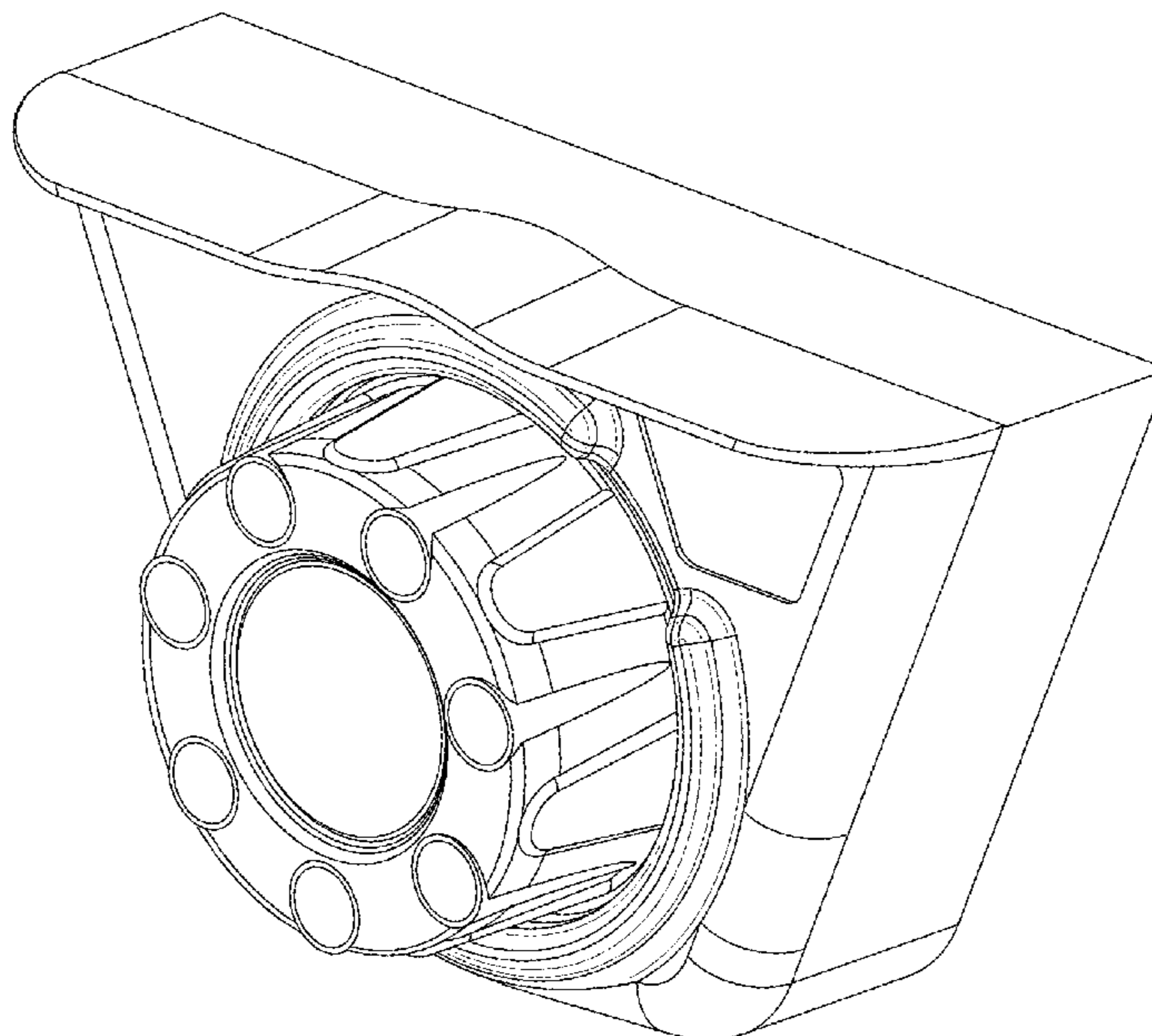
(57) **CLAIM**

The ornamental design for a selection knob assembly, as shown and described.

DESCRIPTION

FIG. 1 is a top perspective view of a selection knob assembly;
 FIG. 2 is a perspective view of the selection knob assembly shown in environmental use secured to a display monitor;
 FIG. 3 is a front view of the selection knob assembly.
 FIG. 4 is a rear view of the selection knob assembly;
 FIG. 5 is top plan view of the selection knob assembly;
 FIG. 6 is bottom plan view of the selection knob assembly;
 FIG. 7 is a right side view of the selection knob assembly;
 and,
 FIG. 8 is a left side view of the selection knob assembly.
 The broken lines shown within the drawings illustrate features that form no part of the claimed design.

1 Claim, 5 Drawing Sheets



(56)

References Cited

U.S. PATENT DOCUMENTS

2011/0035902 A1* 2/2011 Ikeda H01H 19/6355
16/110.1
2012/0241654 A1* 9/2012 Clifford F16K 31/60
251/96
2014/0096637 A1* 4/2014 Echegaray Martinez
G05G 1/08
74/491
2014/0260776 A1* 9/2014 Burleson G05G 1/10
74/553

* cited by examiner

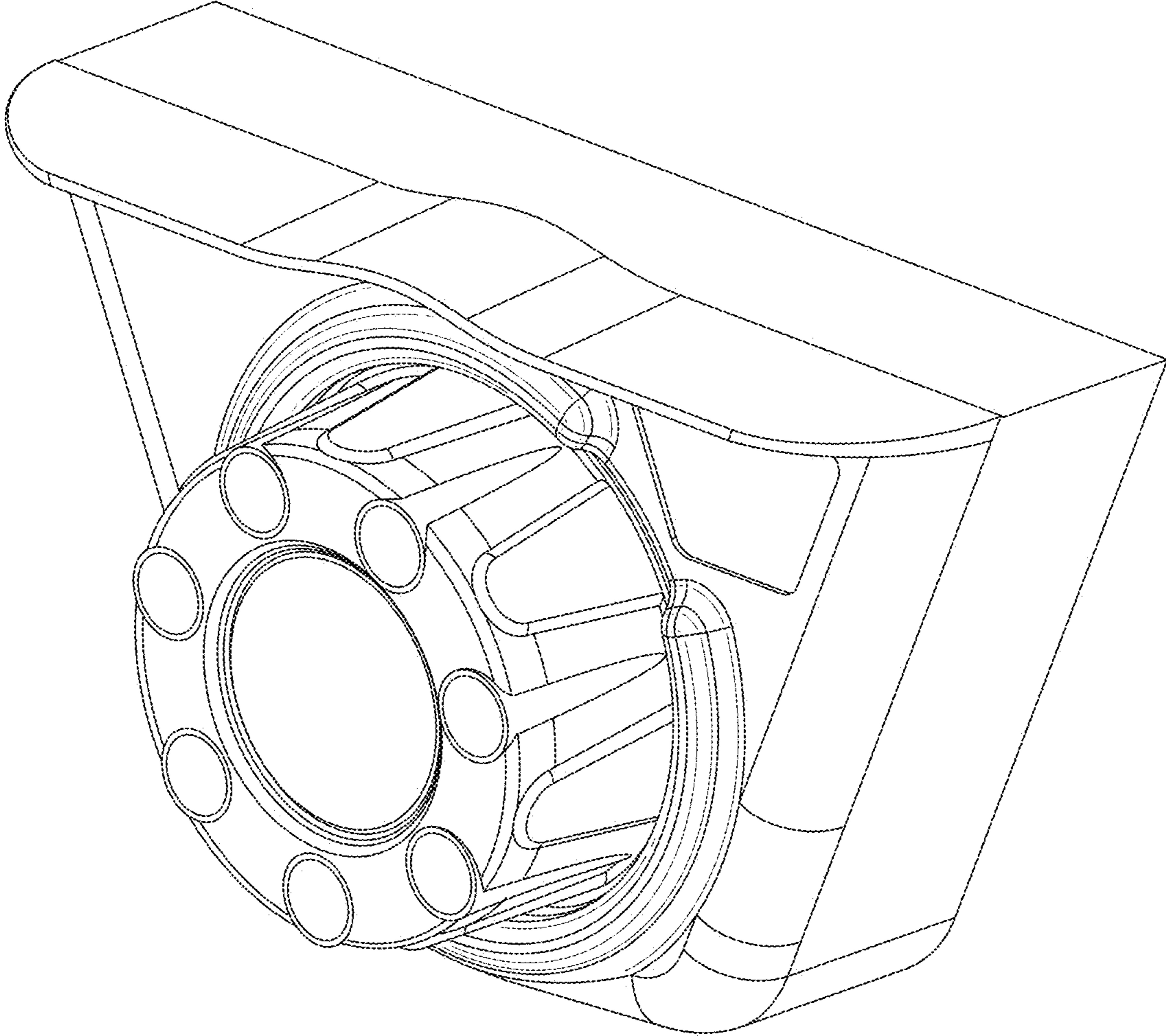


FIG. 1

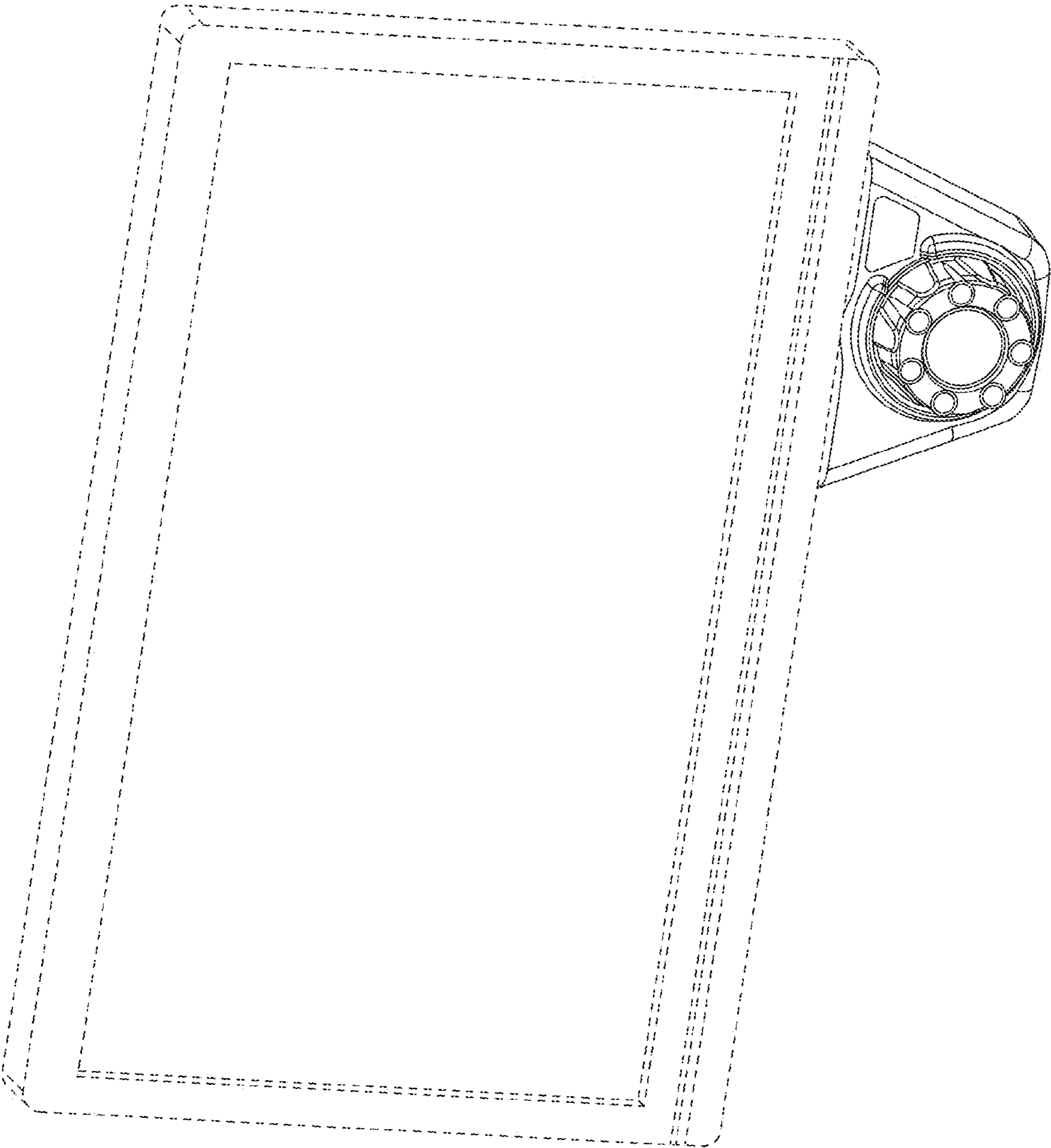


FIG. 2

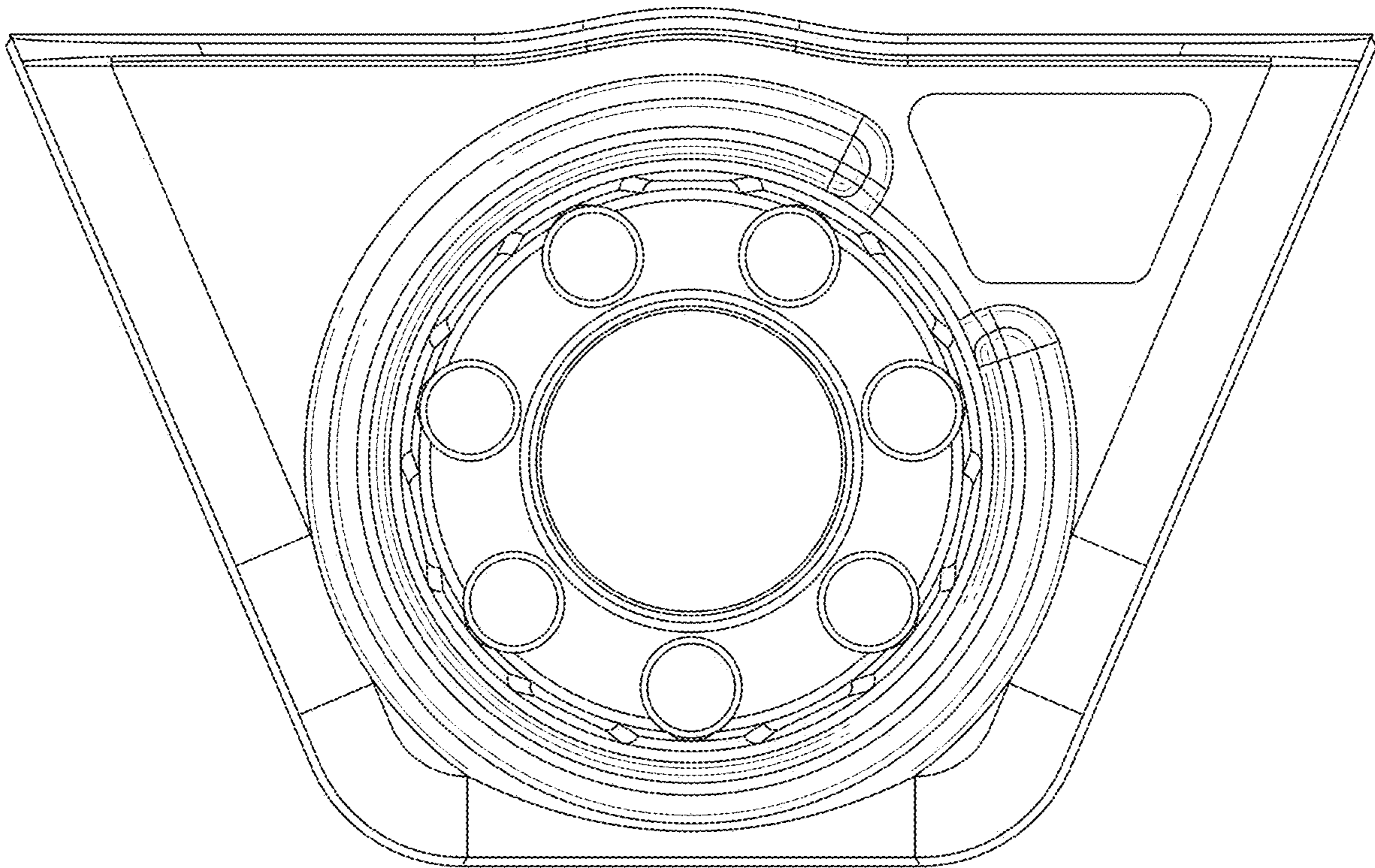


FIG. 3

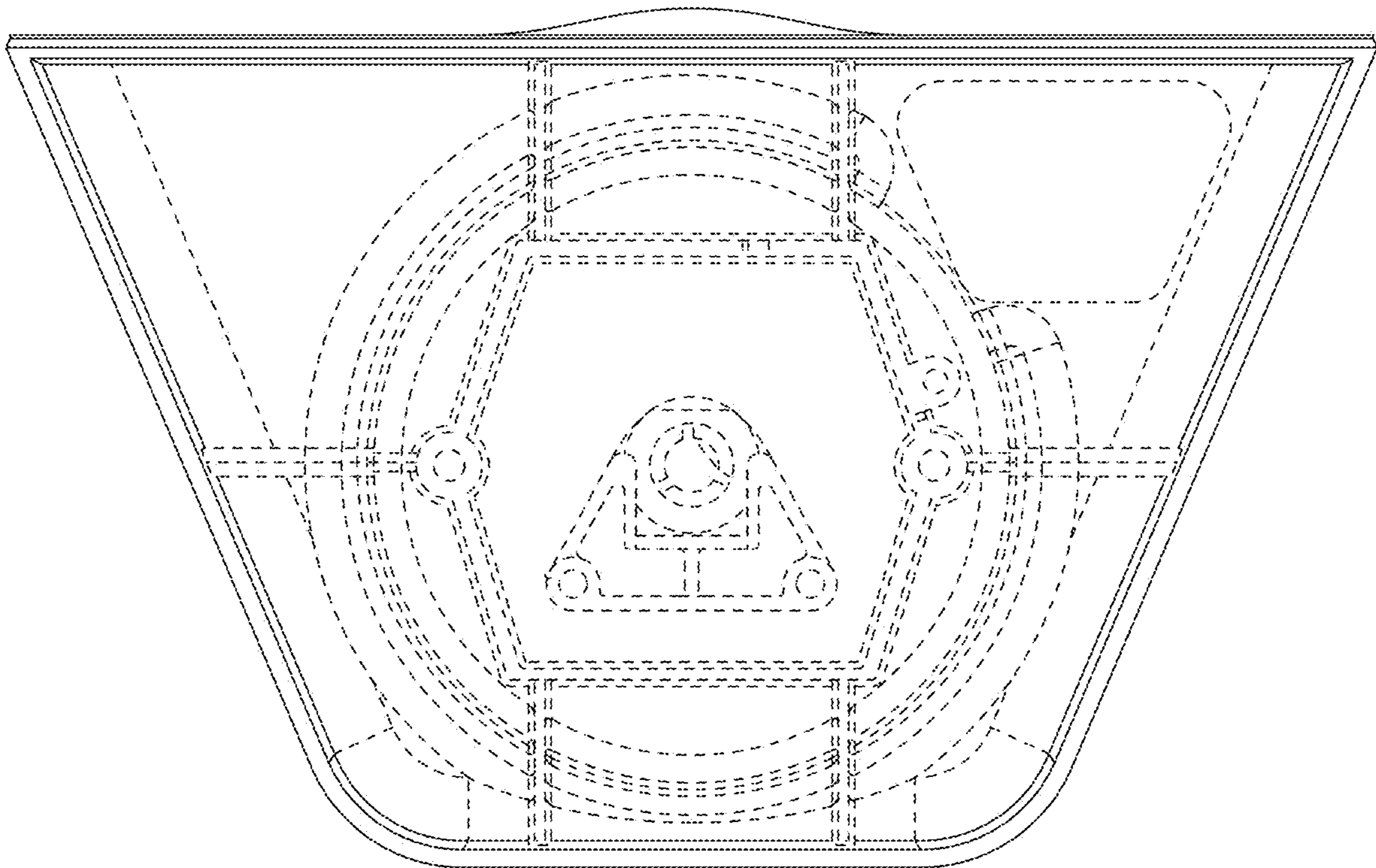


FIG. 4

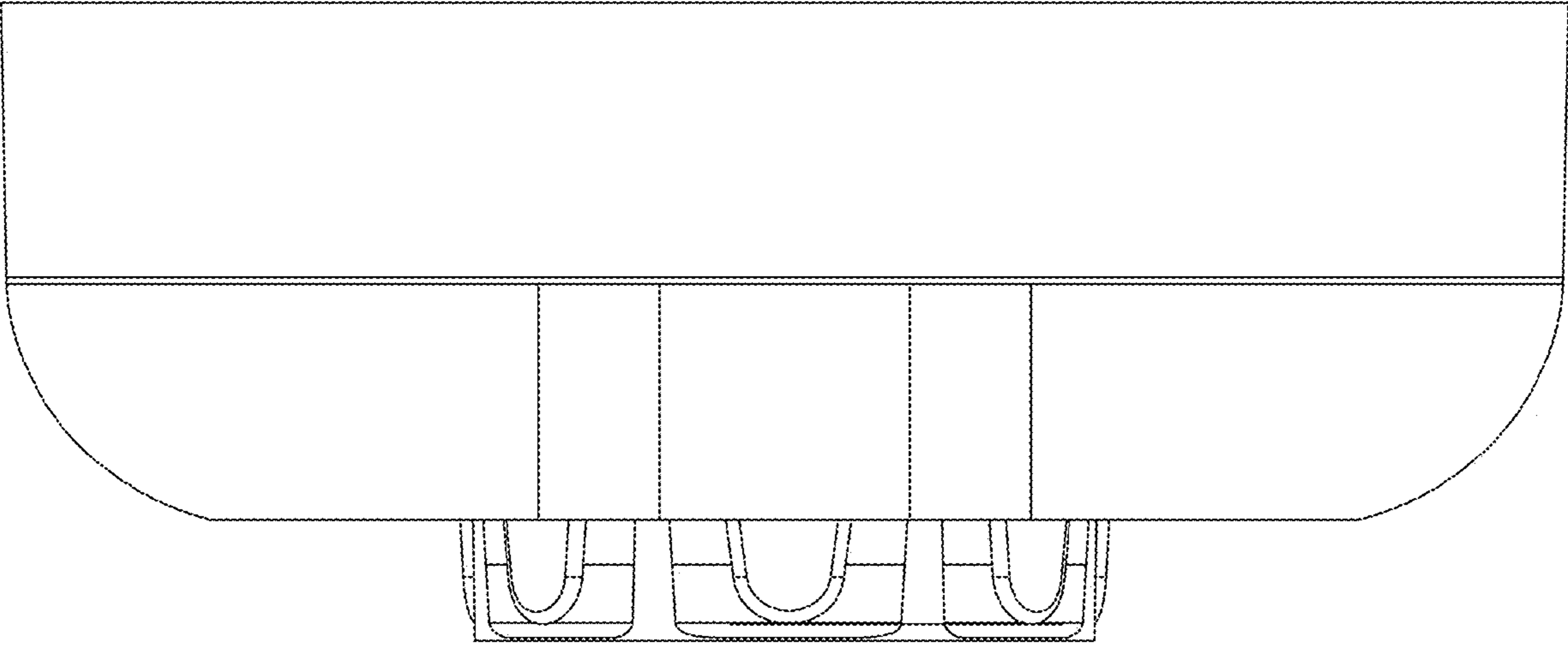


FIG. 5

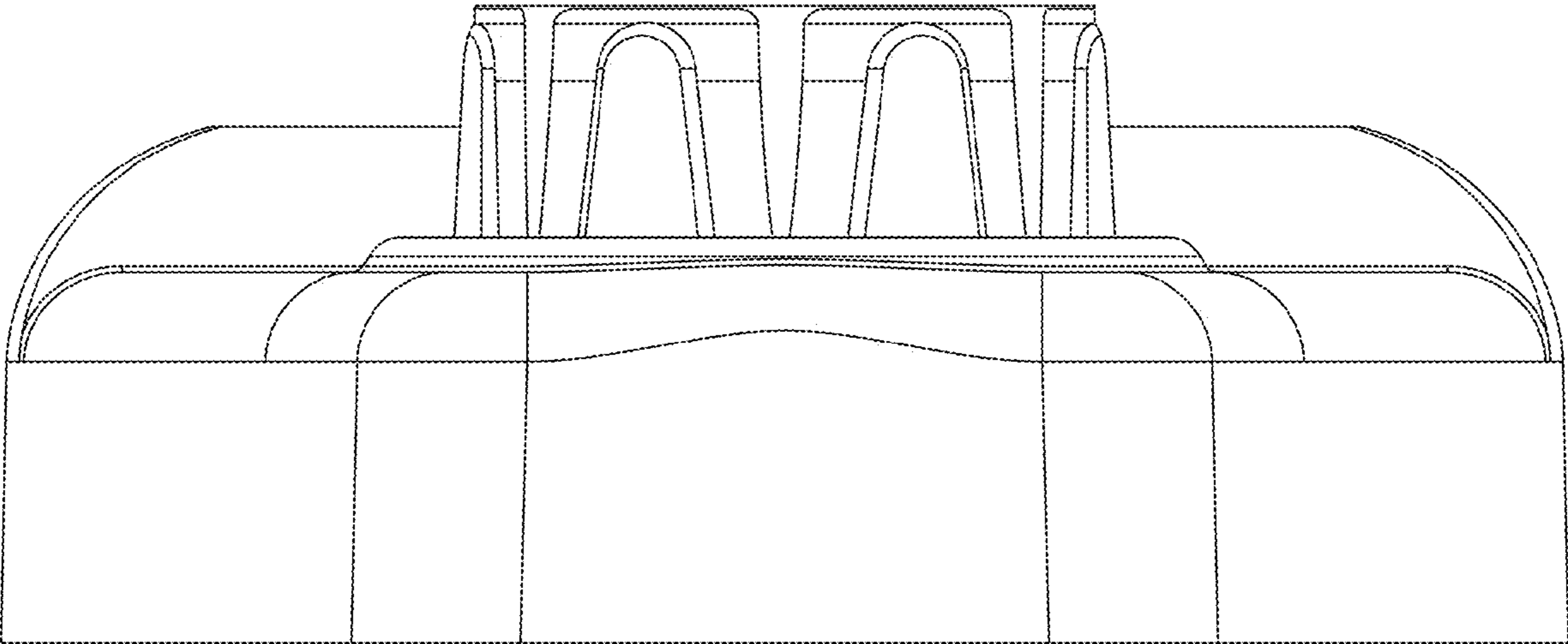


FIG. 6

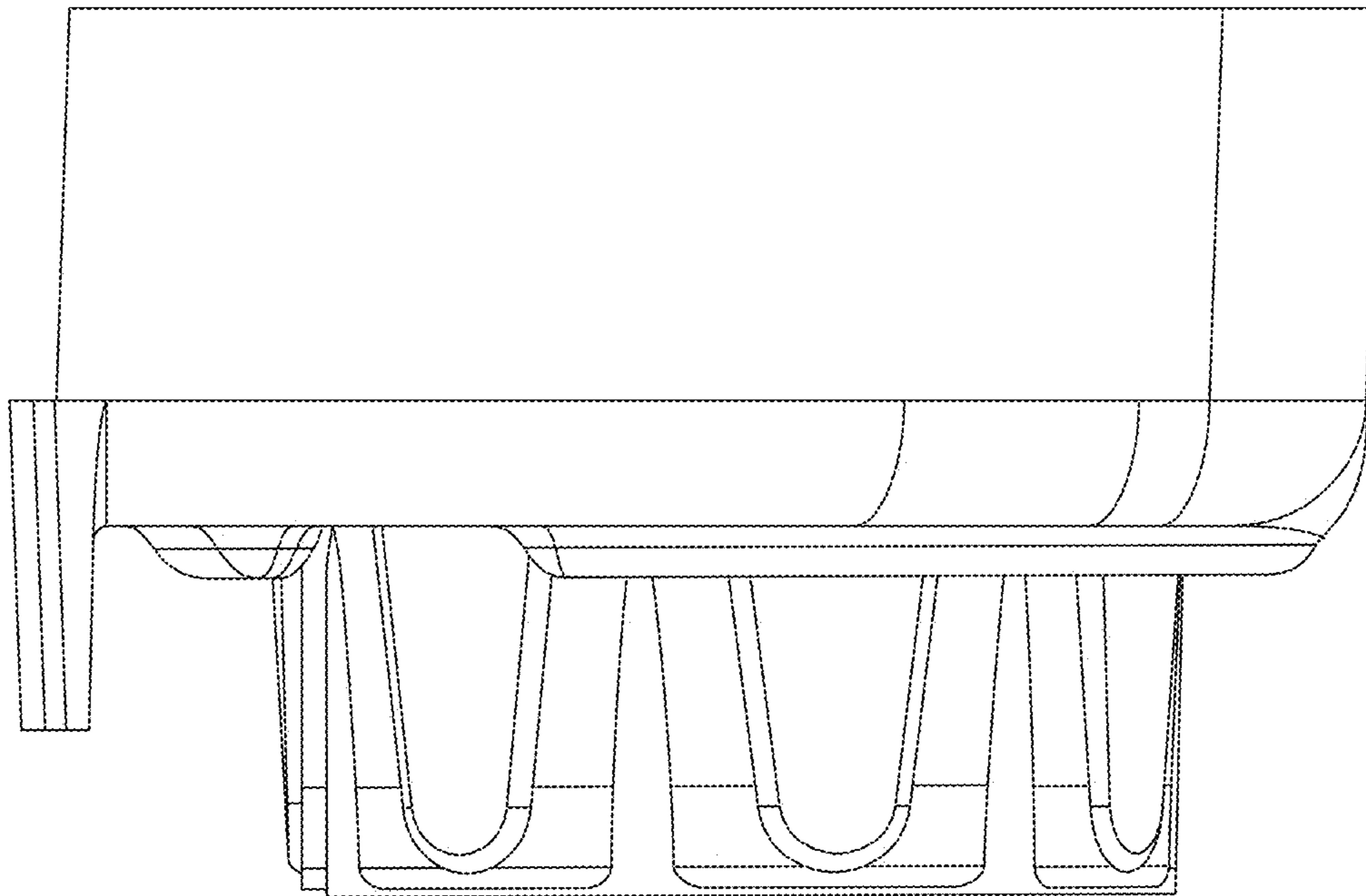


FIG. 8

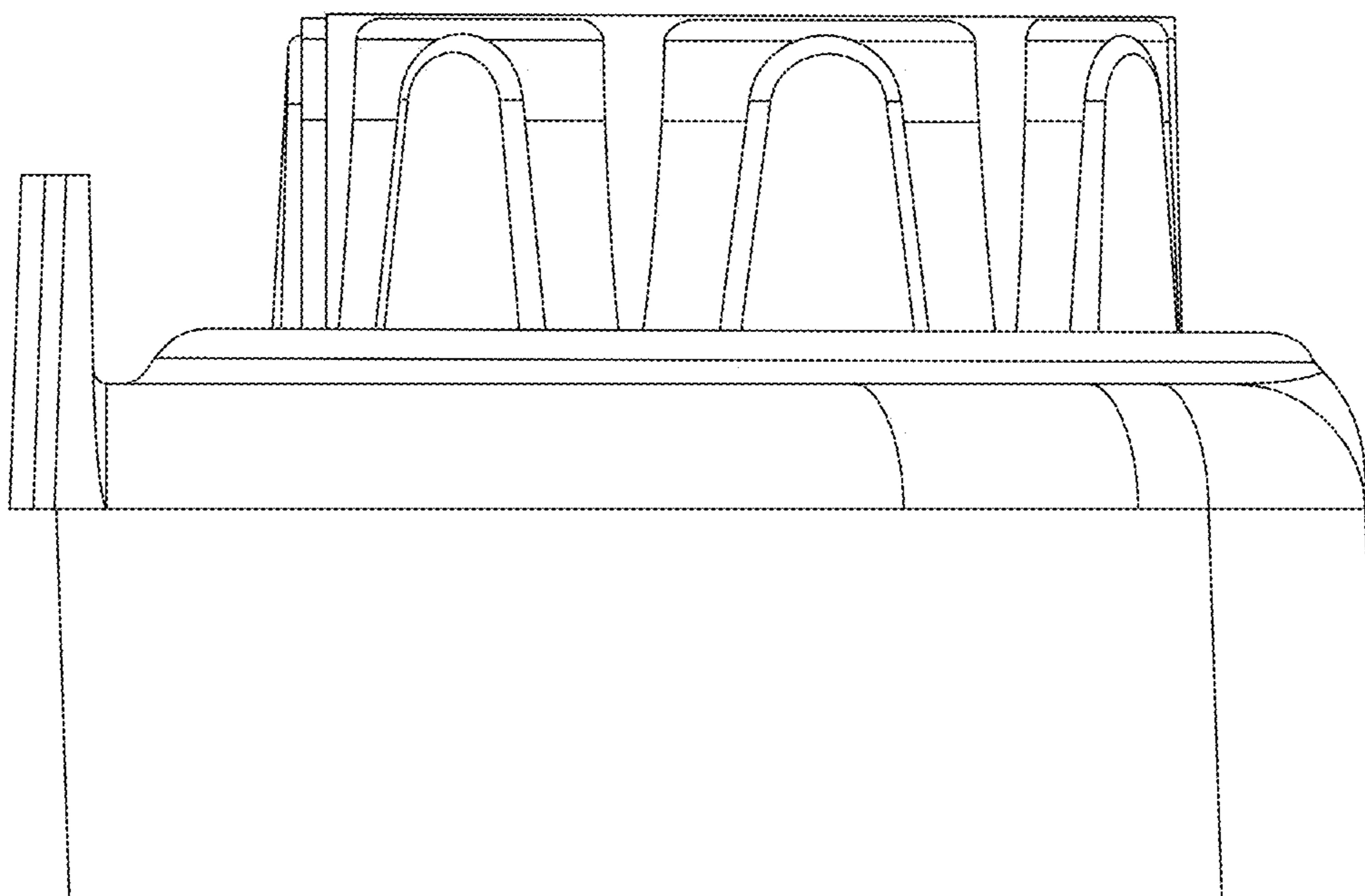


FIG. 7