



US00D878892S

(12) **United States Design Patent**
Kao

(10) **Patent No.:** **US D878,892 S**

(45) **Date of Patent:** **** Mar. 24, 2020**

(54) **KEY-SHAPED MULTI-TOOL**

(71) Applicant: **Wen-Chun Kao**, Taipei (TW)

(72) Inventor: **Wen-Chun Kao**, Taipei (TW)

(**) Term: **15 Years**

(21) Appl. No.: **29/674,692**

(22) Filed: **Dec. 23, 2018**

(51) **LOC (12) Cl.** **08-05**

(52) **U.S. Cl.**
USPC **D8/105**

(58) **Field of Classification Search**
USPC D8/105, 38, 55, 14-19, 21, 53, 100, 103,
D8/26, 34, 87, 99, 356, 28; D3/210
CPC .. B25B 15/008; B25F 1/00; B25F 1/02; B25F
1/04; F16B 45/02

See application file for complete search history.

(56) **References Cited**

U.S. PATENT DOCUMENTS

D405,953 S *	2/1999	Legg	D3/210
D459,846 S *	7/2002	Mottern	D32/43
D528,880 S *	9/2006	Belflower	D8/16
D692,288 S *	10/2013	Locklear	D8/105
D693,202 S *	11/2013	Berman	D3/210
D705,034 S *	5/2014	Connell	D8/105
D733,516 S *	7/2015	Kelleghan	D8/105
D758,824 S *	6/2016	Kelleghan	D8/105
D770,250 S *	11/2016	Fischer	D8/17
D772,679 S *	11/2016	Hawker	D3/210
D773,274 S *	12/2016	Berman	D8/105

D773,908 S *	12/2016	Arakelian	D8/16
D782,890 S *	4/2017	Palomino	D8/18
D799,297 S *	10/2017	Manor	D8/105
D803,657 S *	11/2017	Hawker	D8/105
D808,240 S *	1/2018	Kelleghan	D8/105
D842,069 S *	3/2019	Kao	D8/105
D848,813 S *	5/2019	Kelleghan	D8/105
2008/0022738 A1 *	1/2008	Maxwell	A44B 15/007 70/458
2017/0043467 A1 *	2/2017	Arakelian	B26B 11/00

* cited by examiner

Primary Examiner — Janice Hallmark

(74) *Attorney, Agent, or Firm* — Raymond Y. Chan;
David and Raymond Patent Firm

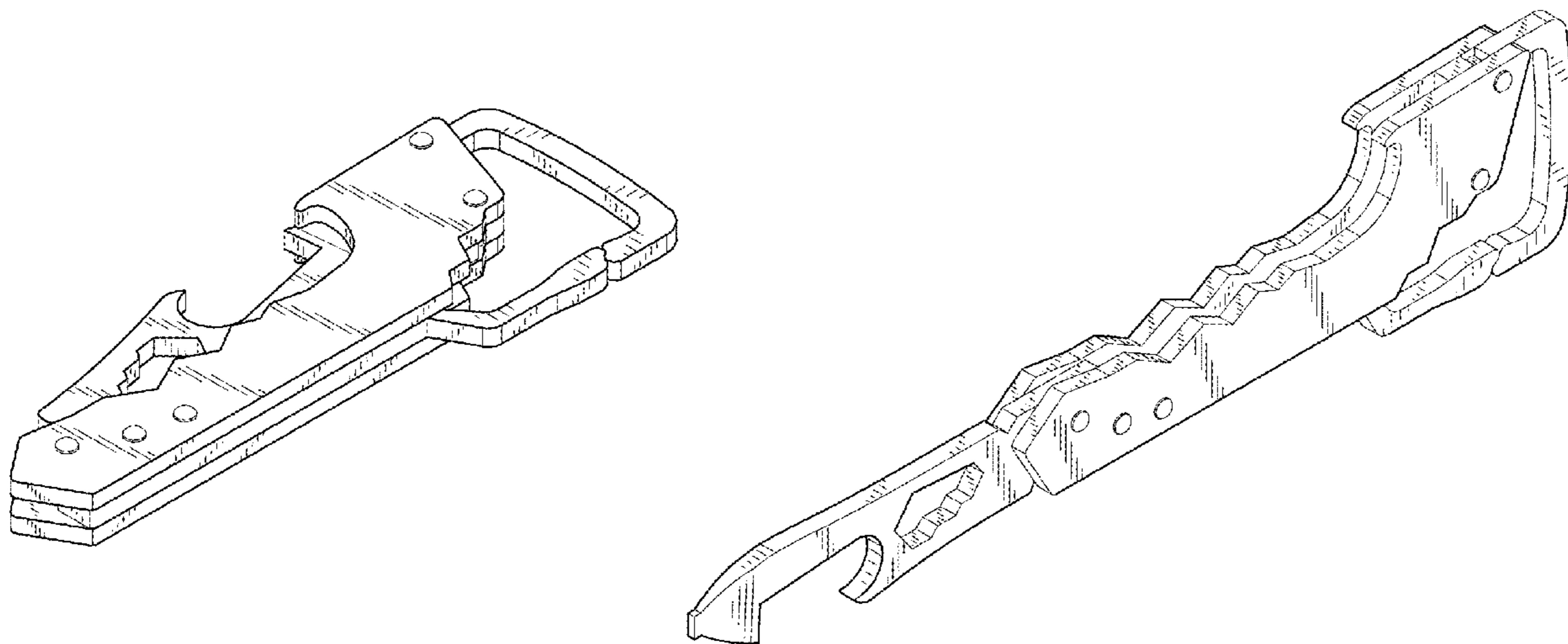
(57) **CLAIM**

The ornamental design for a key-shaped multi-tool, as shown and described.

DESCRIPTION

FIG. 1 is a perspective view of the key-shaped multi-tool of my new design;
 FIG. 2 is another perspective view thereof;
 FIG. 3 is another perspective view thereof, illustrating a multi-tool being rotated with respect to the key-shaped multi-tool;
 FIG. 4 is a front view thereof;
 FIG. 5 is a rear view thereof;
 FIG. 6 is a left view thereof;
 FIG. 7 is a right view thereof;
 FIG. 8 is a top view thereof; and,
 FIG. 9 is a bottom view thereof.

1 Claim, 6 Drawing Sheets



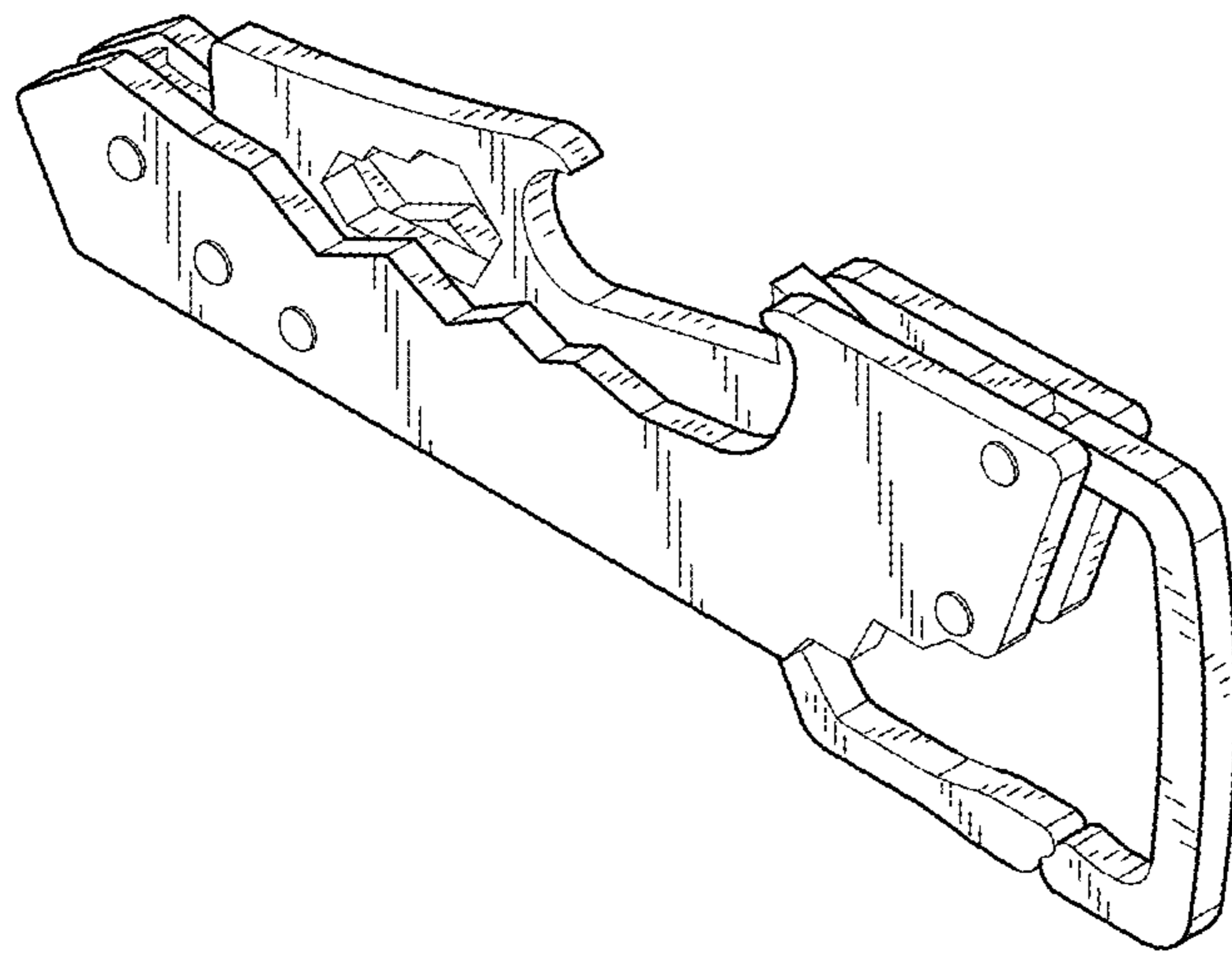


FIG. 1

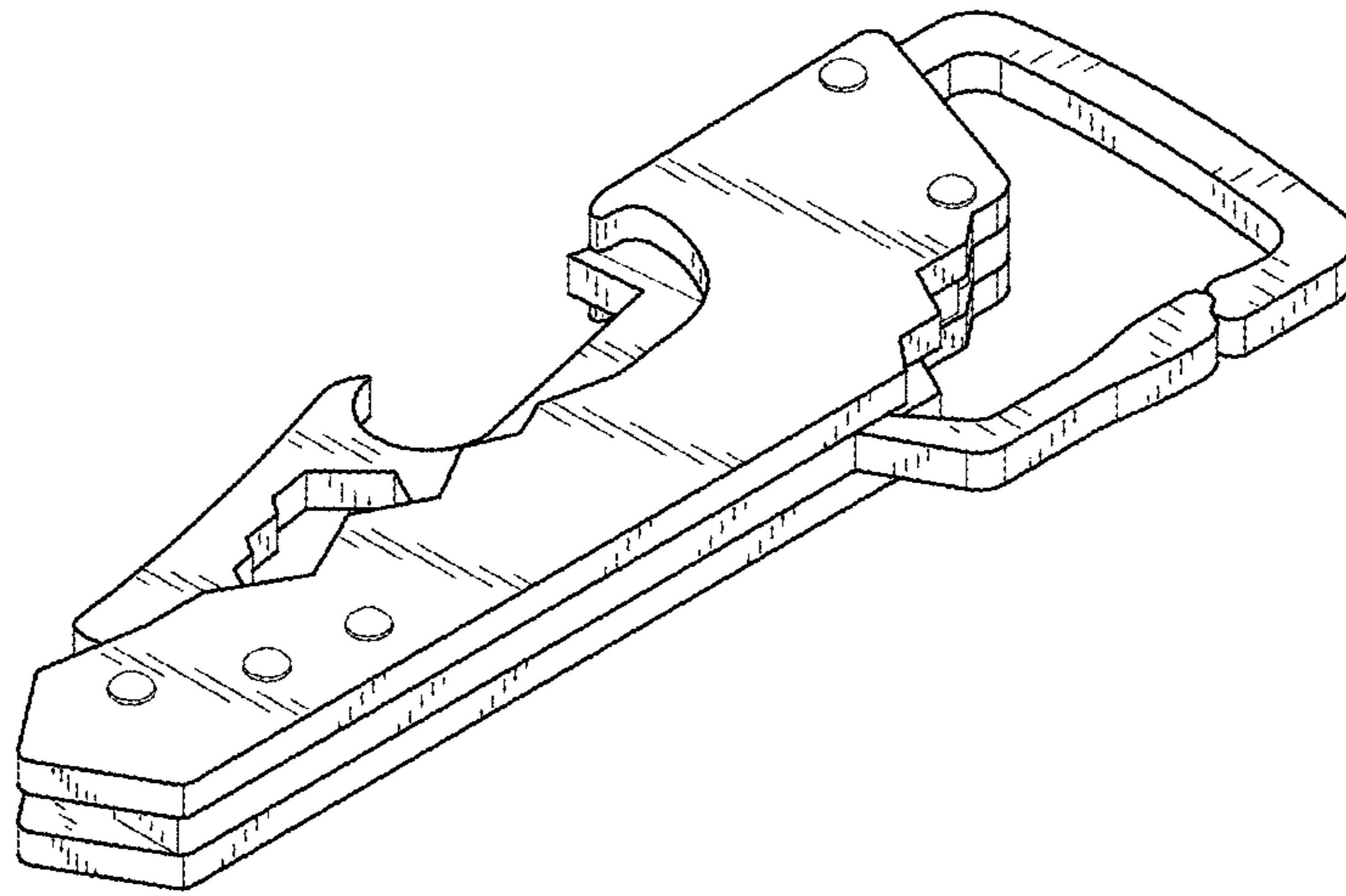


FIG. 2

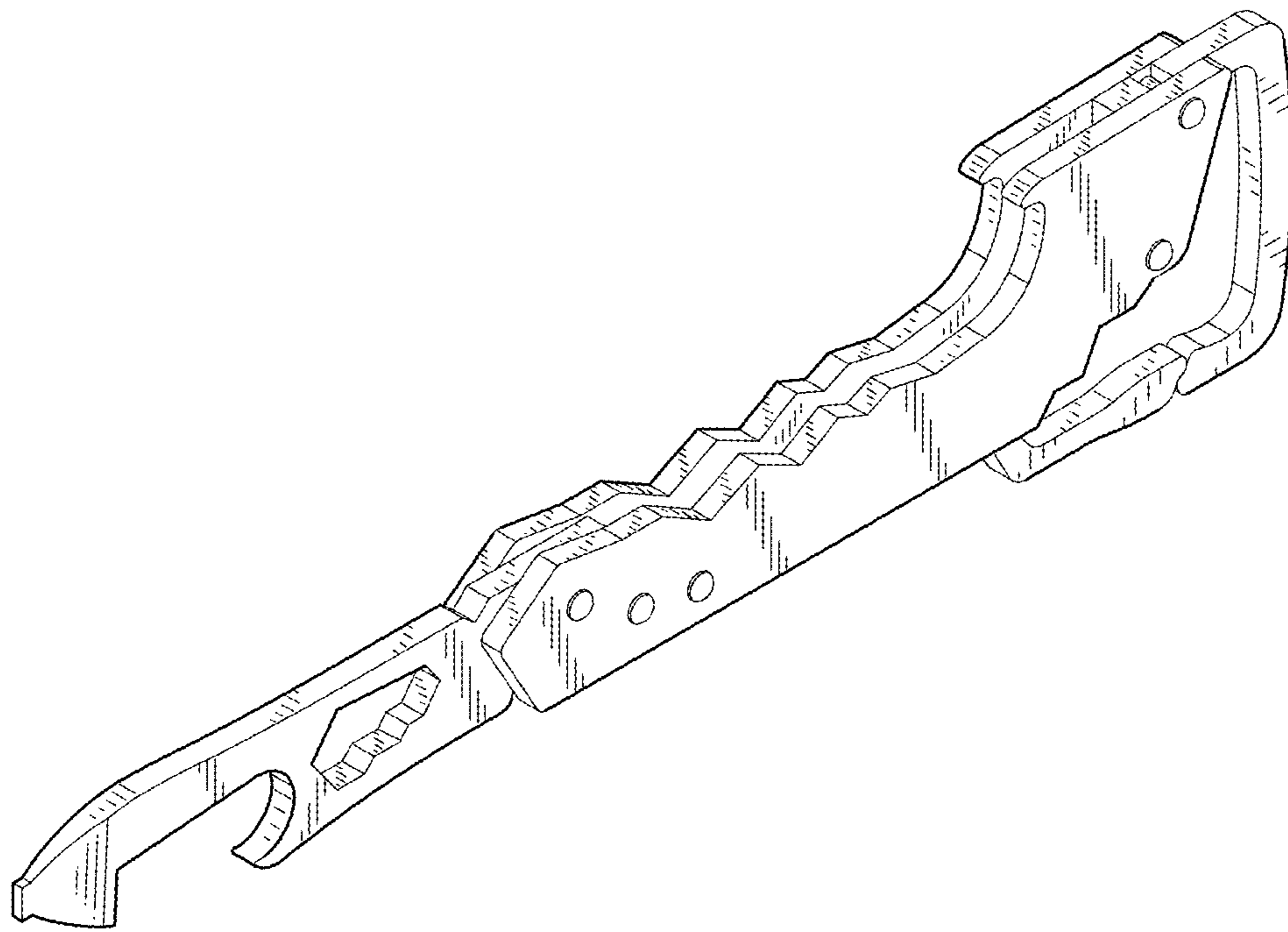


FIG. 3

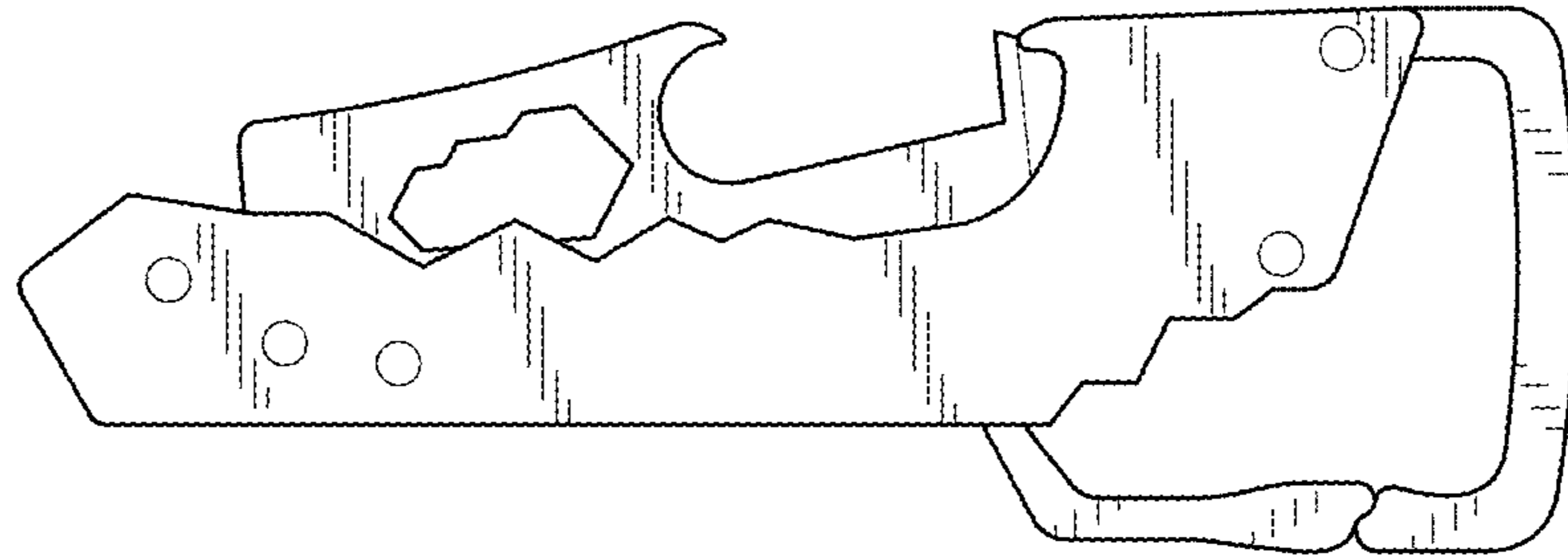


FIG. 4

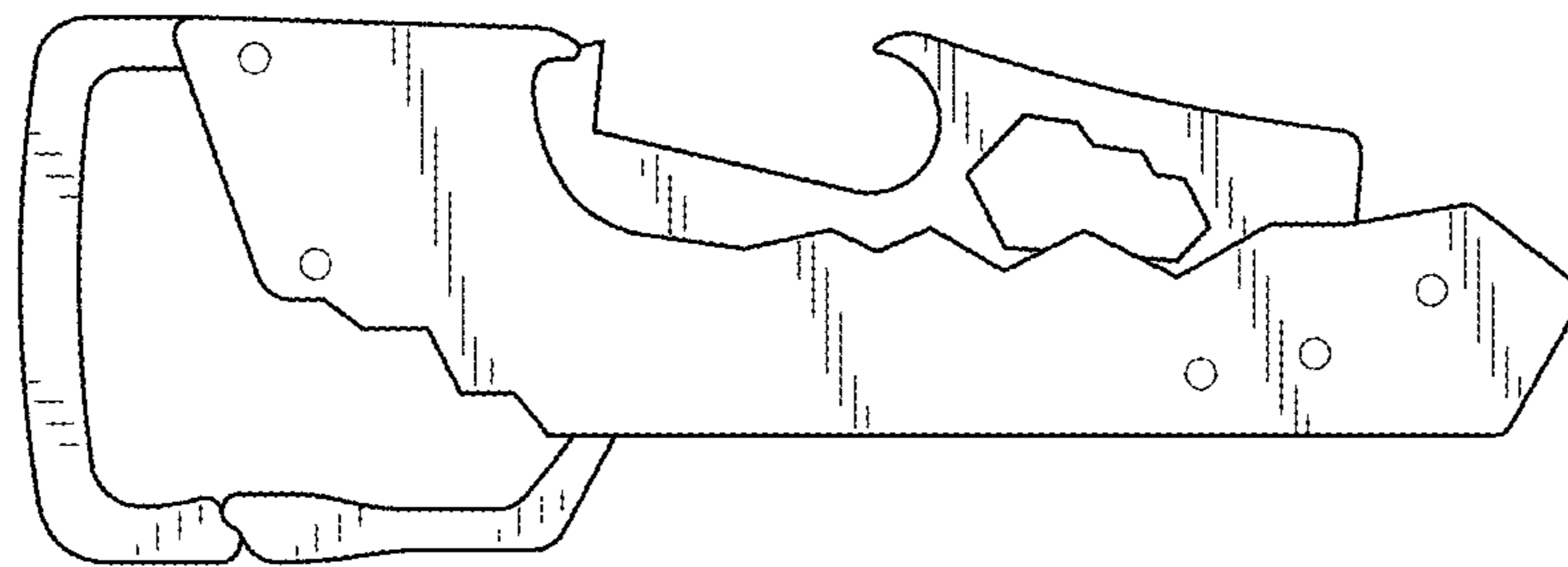


FIG. 5



FIG. 6

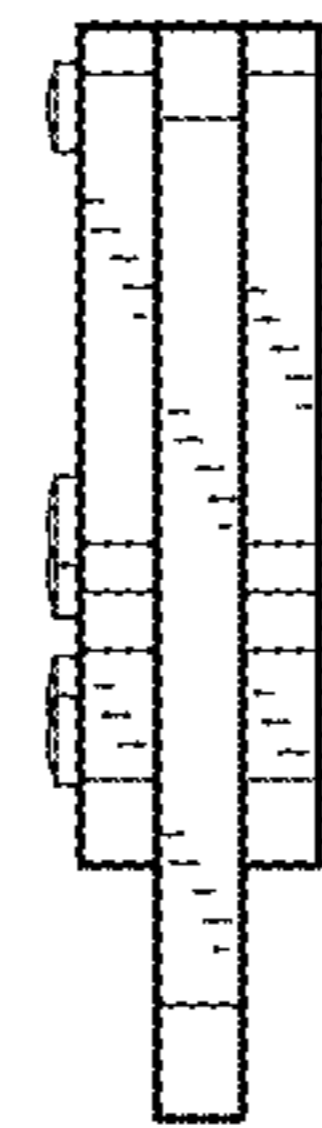


FIG. 7

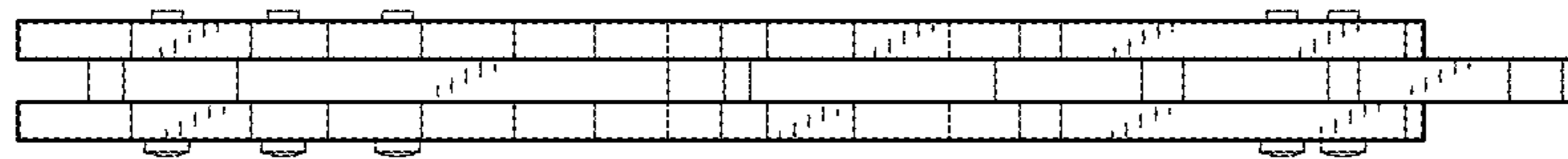


FIG. 8



FIG. 9