



US00D878891S

(12) **United States Design Patent**
Polczynski

(10) **Patent No.:** **US D878,891 S**

(45) **Date of Patent:** **** Mar. 24, 2020**

- (54) **TOOL CARD**
- (71) Applicant: **Ultimate Survival Tips LLC**,
Mansfield, PA (US)
- (72) Inventor: **David R. Polczynski**, Mansfield, PA
(US)
- (73) Assignee: **Ultimate Survival Tips LLC**,
Mansfield, PA (US)
- (**) Term: **15 Years**
- (21) Appl. No.: **29/666,275**
- (22) Filed: **Oct. 11, 2018**
- (51) **LOC (12) Cl.** **08-05**
- (52) **U.S. Cl.**
USPC **D8/105**
- (58) **Field of Classification Search**
USPC D8/105, 38, 55, 14-19, 21, 53, 100, 103,
D8/26, 34, 87, 99, 356, 28; D3/210
CPC .. B25B 15/008; B25F 1/00; B25F 1/02; B25F
1/04; F16B 45/02
See application file for complete search history.

- D431,105 S * 9/2000 Ling D3/228
- 6,145,994 A * 11/2000 Ng B25F 1/02
206/234
- D434,624 S * 12/2000 Padden D8/105
- 6,206,010 B1 3/2001 Malki
- 6,213,132 B1 4/2001 Andrews
- D444,060 S * 6/2001 Elsener, Sr. D9/418
- 6,347,875 B1 * 2/2002 Painsith A45C 11/00
362/118
- 6,460,698 B1 * 10/2002 Wang B25F 1/02
206/234
- D517,390 S * 3/2006 Cheng D8/105
- D548,886 S 8/2007 Lee
- 7,344,023 B2 * 3/2008 Painsith A45D 29/20
206/234
- 8,162,784 B1 4/2012 Bellefeuille
- D707,091 S * 6/2014 Barr D8/16
- D710,179 S * 8/2014 Thomas D8/105
- D751,877 S * 3/2016 Shlaferman D8/19
- D765,487 S * 9/2016 Barr D8/99

(Continued)

Primary Examiner — Janice Hallmark
(74) *Attorney, Agent, or Firm* — Luedeka Neely Group,
PC

(57) **CLAIM**

The ornamental design for a tool card, as shown and described.

(56) **References Cited**

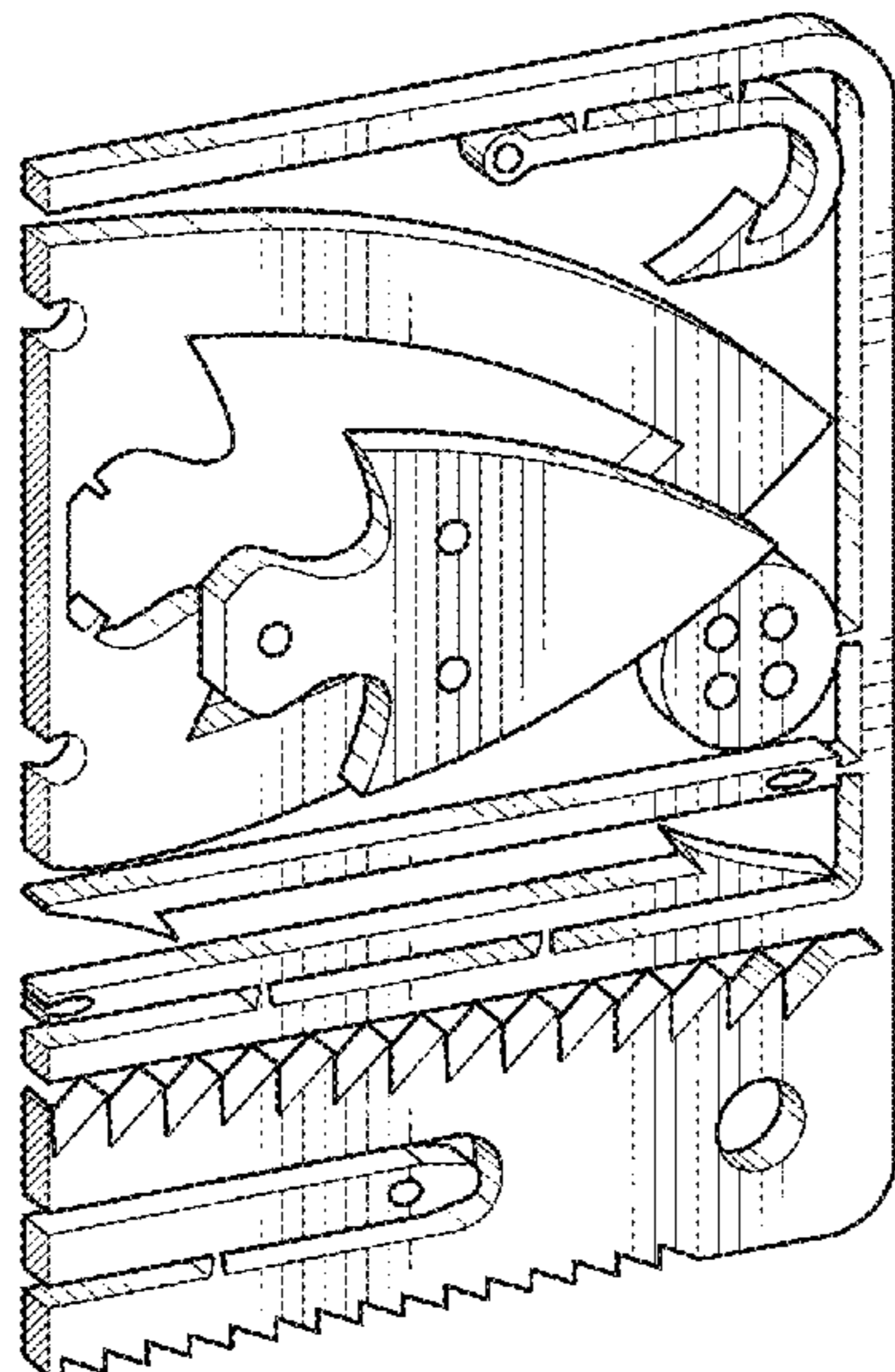
U.S. PATENT DOCUMENTS

- 3,461,469 A 8/1969 Morrision
- D307,493 S 4/1990 Cheng
- D360,815 S * 8/1995 Padden D8/105
- D374,388 S * 10/1996 Padden D8/105
- 5,620,090 A 4/1997 Beeley
- D416,581 S * 11/1999 Cheng D19/65
- 6,009,584 A * 1/2000 Padden A46B 7/023
15/201
- 6,044,967 A * 4/2000 Painsith A45C 11/00
206/234
- 6,070,990 A * 6/2000 Dalton F21L 4/027
235/487
- 6,076,665 A * 6/2000 Chuang A45D 29/20
206/214

DESCRIPTION

FIG. 1 is a perspective view of a tool card of my new design;
FIG. 2 is a front plan view of the tool card.
FIG. 3 is a rear plan view of the tool card.
FIG. 4 is a right side view of the tool card.
FIG. 5 is a left side view of the tool card.
FIG. 6 is a top end view of the tool card.
FIG. 7 is a bottom end view of the tool card; and,
FIG. 8 is a perspective view of a portion of the tool card of
FIG. 1, shown with one tool disengaged from the card.

1 Claim, 4 Drawing Sheets



(56)

References Cited

U.S. PATENT DOCUMENTS

D799,301 S * 10/2017 Cetera D8/105
D805,873 S * 12/2017 Cetera D8/105
D815,935 S * 4/2018 Barak D8/105
D866,276 S * 11/2019 Shlaferman D8/19
2002/0179463 A1* 12/2002 Newman A45C 11/00
206/234
2012/0317819 A1* 12/2012 Pelton B25F 1/006
30/144
2015/0240524 A1* 8/2015 Olroyd E05B 19/20
81/15.9
2016/0288972 A1 10/2016 Kirkham et al.
2017/0000247 A1 1/2017 Scharf et al.

* cited by examiner

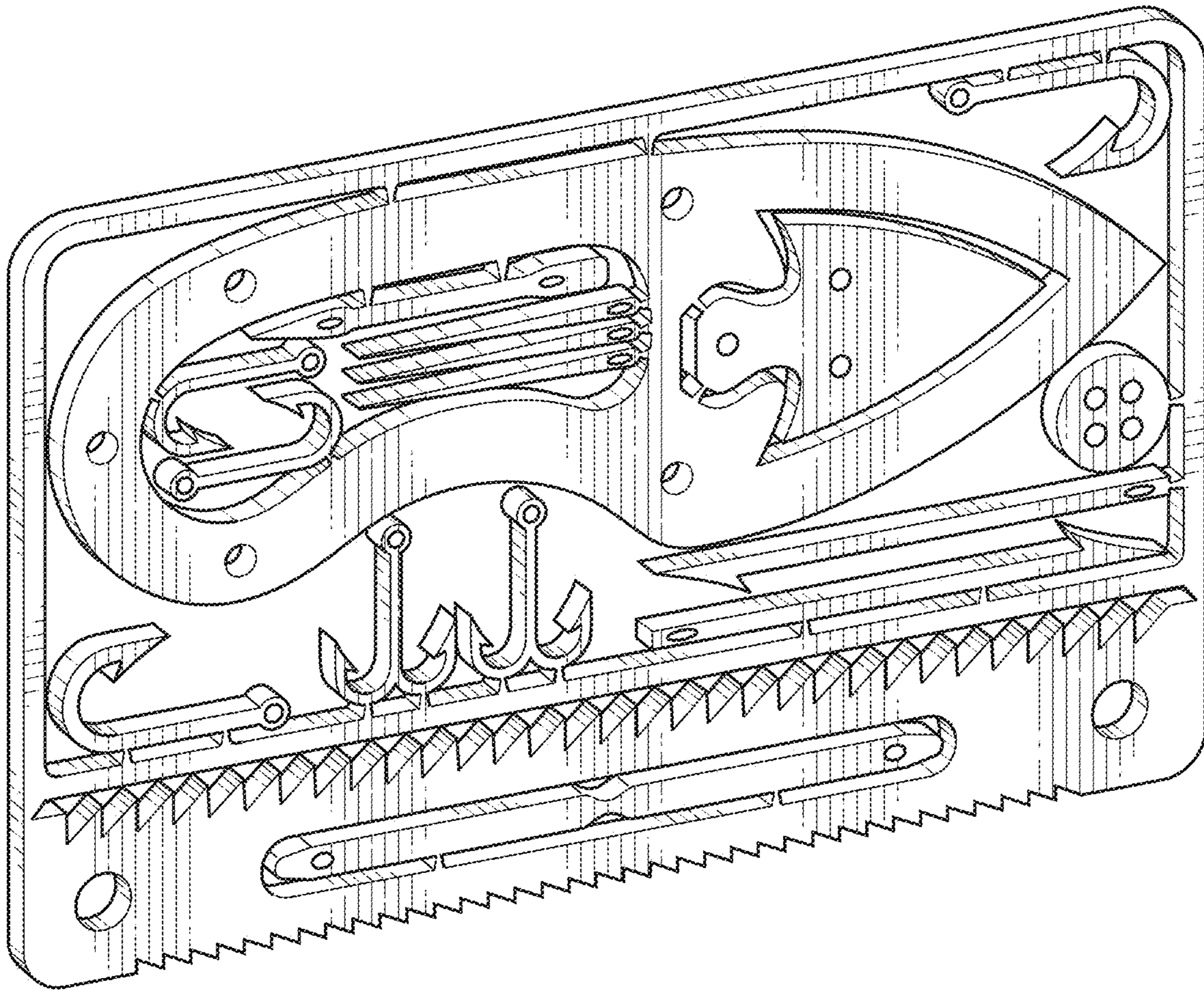


FIG. 1

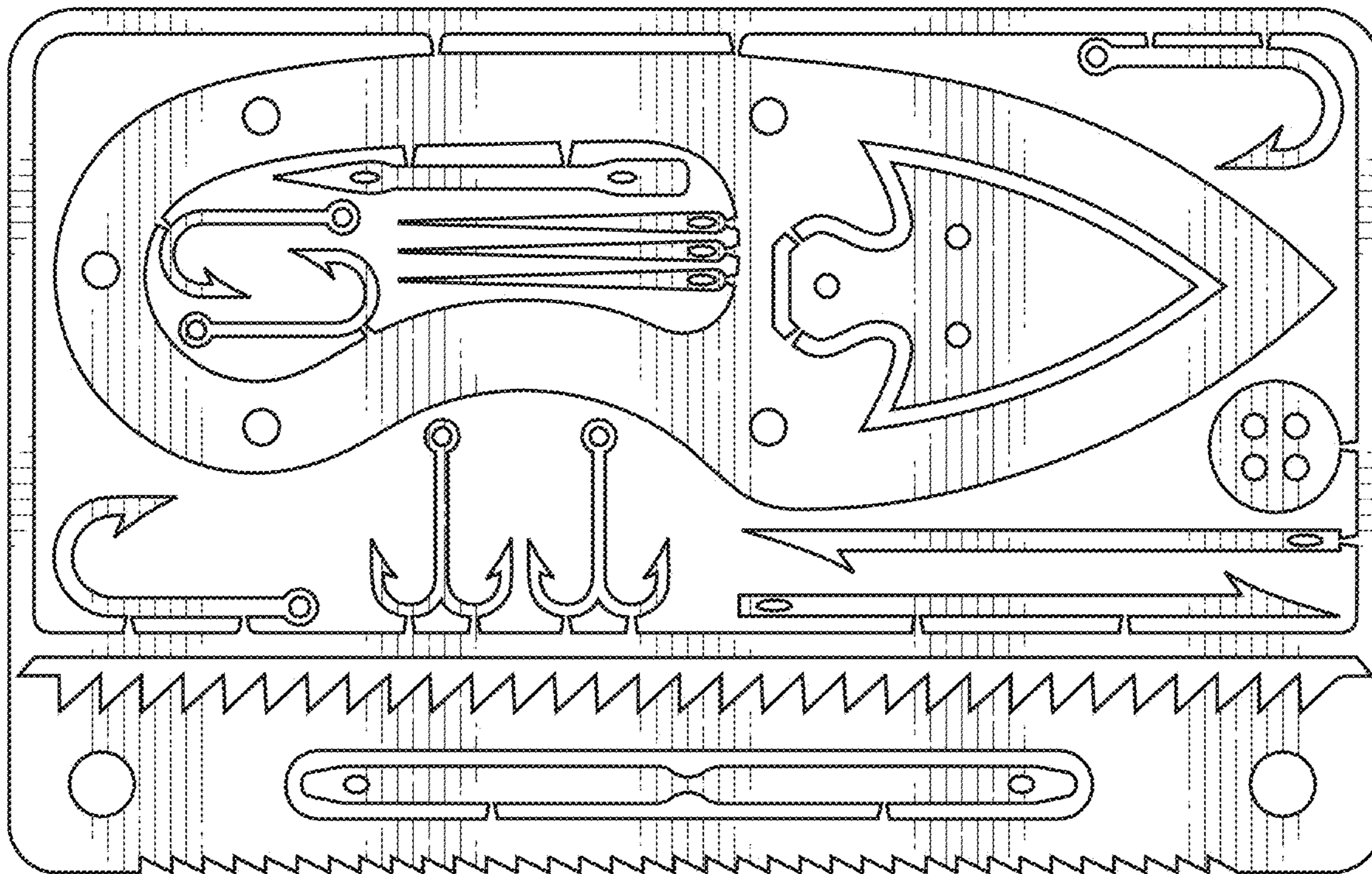


FIG. 2

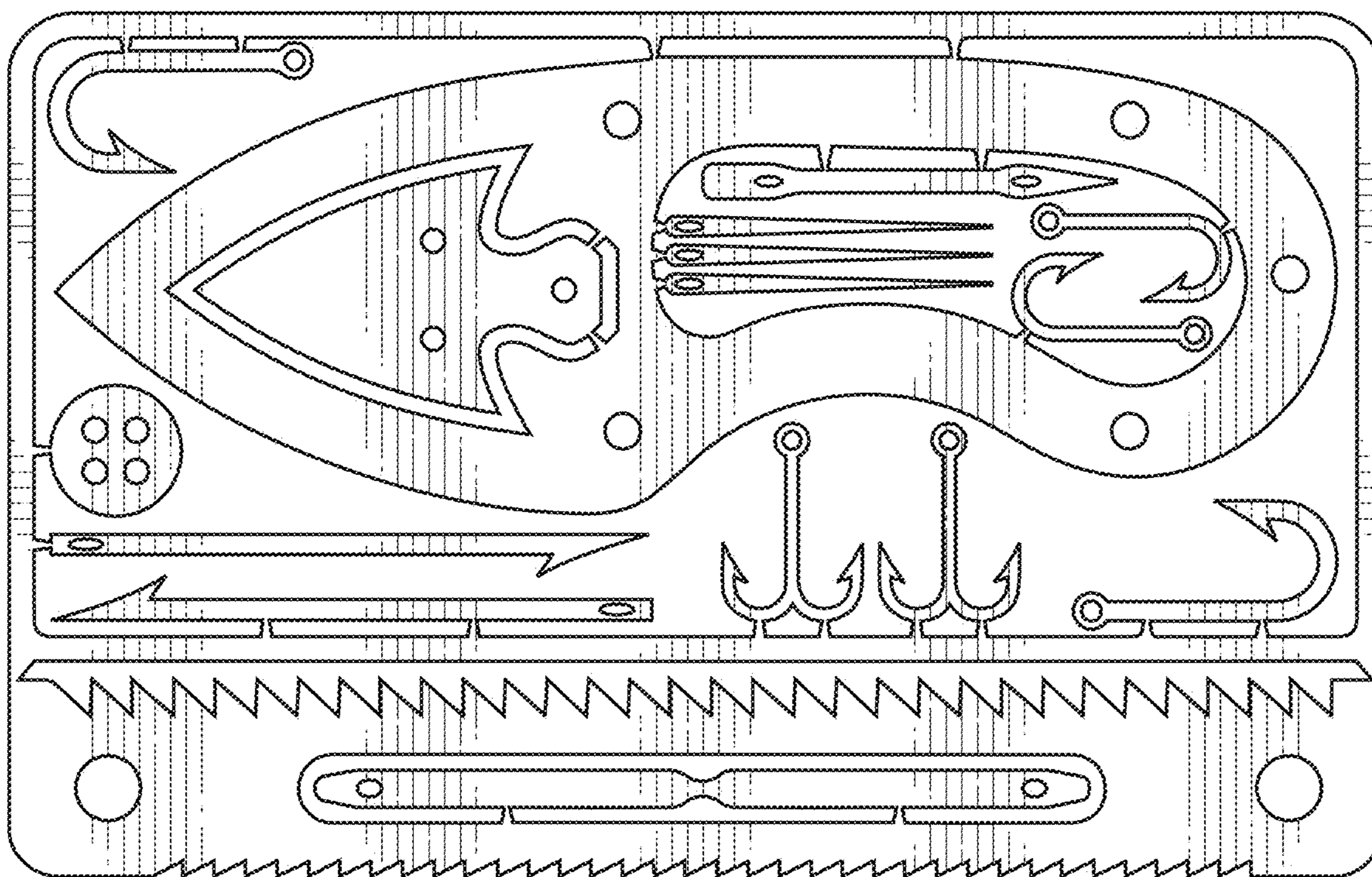


FIG. 3



FIG. 4

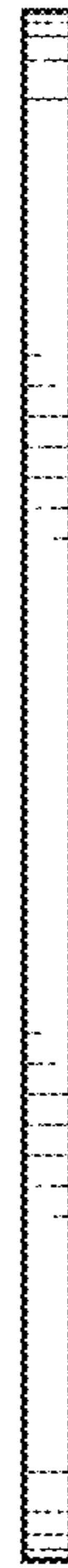


FIG. 5

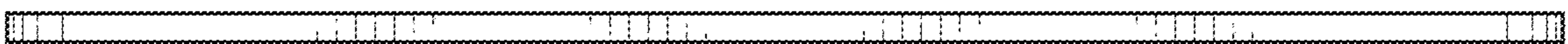


FIG. 6



FIG. 7

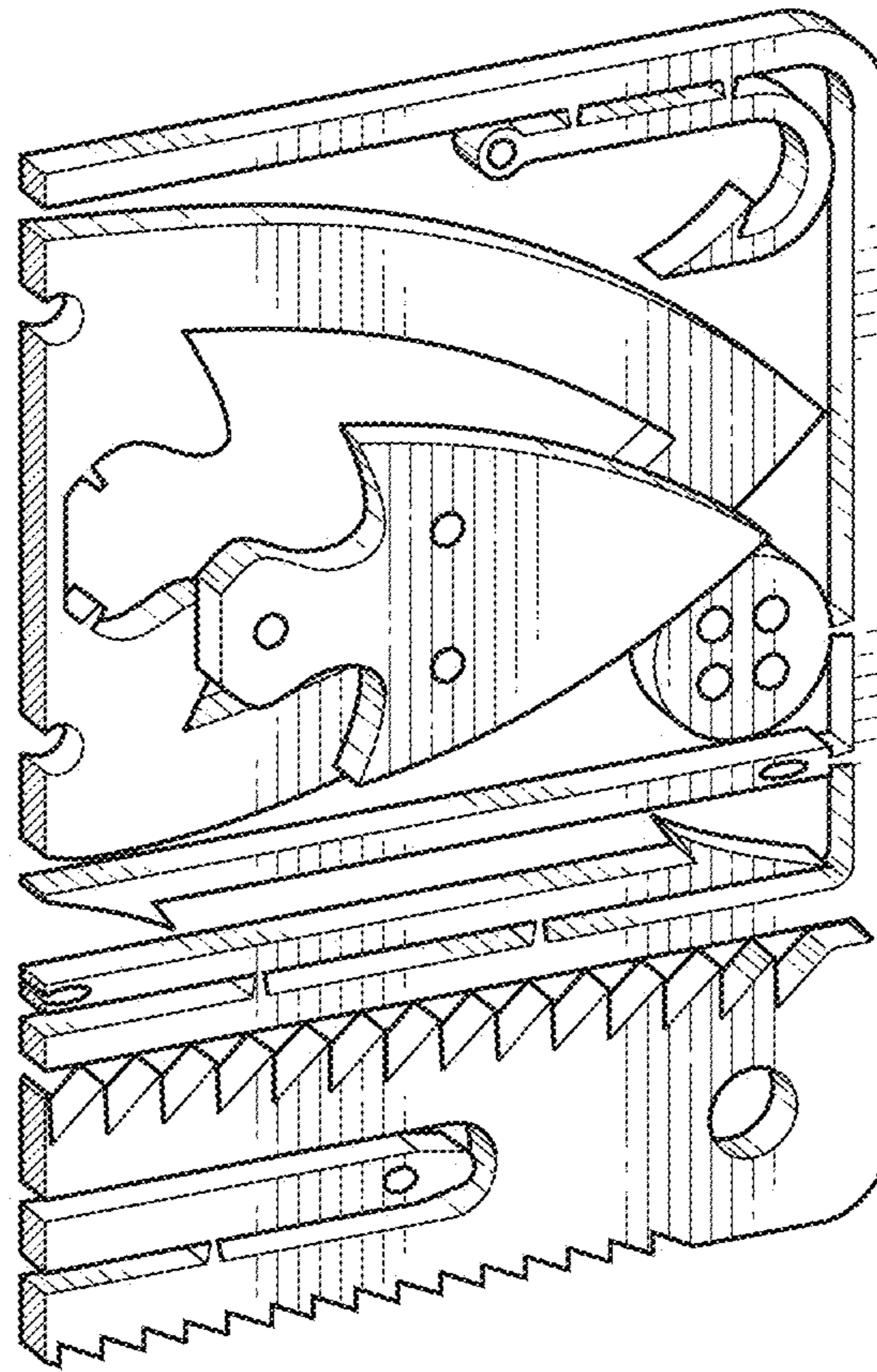


FIG. 8