



US00D878889S

(12) **United States Design Patent**
Prachthausner

(10) **Patent No.:** **US D878,889 S**

(45) **Date of Patent:** **** Mar. 24, 2020**

(54) **HAMMER PICK LOCK HASP REMOVER**

7,774,882 B2 * 8/2010 Liou B25F 1/00
254/18

(71) Applicant: **Jonathan D. Prachthausner**,
Morristown, NJ (US)

D644,082 S * 8/2011 LeMacher D8/78
8,677,537 B1 * 3/2014 Ingesson B25F 1/006
7/146

(72) Inventor: **Jonathan D. Prachthausner**,
Morristown, NJ (US)

D708,498 S * 7/2014 Moren D8/78
2009/0276962 A1 * 11/2009 Adams B25D 1/045
7/144

(**) Term: **15 Years**

* cited by examiner

(21) Appl. No.: **29/605,408**

Primary Examiner — Philip S Hyder

(22) Filed: **May 25, 2017**

(51) **LOC (12) Cl.** **08-04**

(52) **U.S. Cl.**

USPC **D8/78; D8/76**

(58) **Field of Classification Search**

USPC D8/75, 76, 77, 78, 79, 80, 81, 88, 89,
D8/105, 14

CPC B25F 1/003; B25F 1/006; B25F 15/00;
B25B 7/00; B25C 11/00; B25D 7/00;
B25D 1/00; B25D 1/04; B25D 1/045;
B25D 3/00

See application file for complete search history.

(56) **References Cited**

U.S. PATENT DOCUMENTS

5,865,425 A * 2/1999 Meadows B66F 15/00
254/131

D620,776 S * 8/2010 Prachthausner D8/81

(57) **CLAIM**

The ornamental design for a hammer pick lock hasp remover, as shown and described.

DESCRIPTION

FIG. 1 is a left side front perspective view of a hammer pick lock hasp remover showing my new design.

FIG. 2 is a right side rear perspective view of the hammer pick lock hasp remover.

FIG. 3 is a left side elevational view thereof.

FIG. 4 is a right side elevational view thereof.

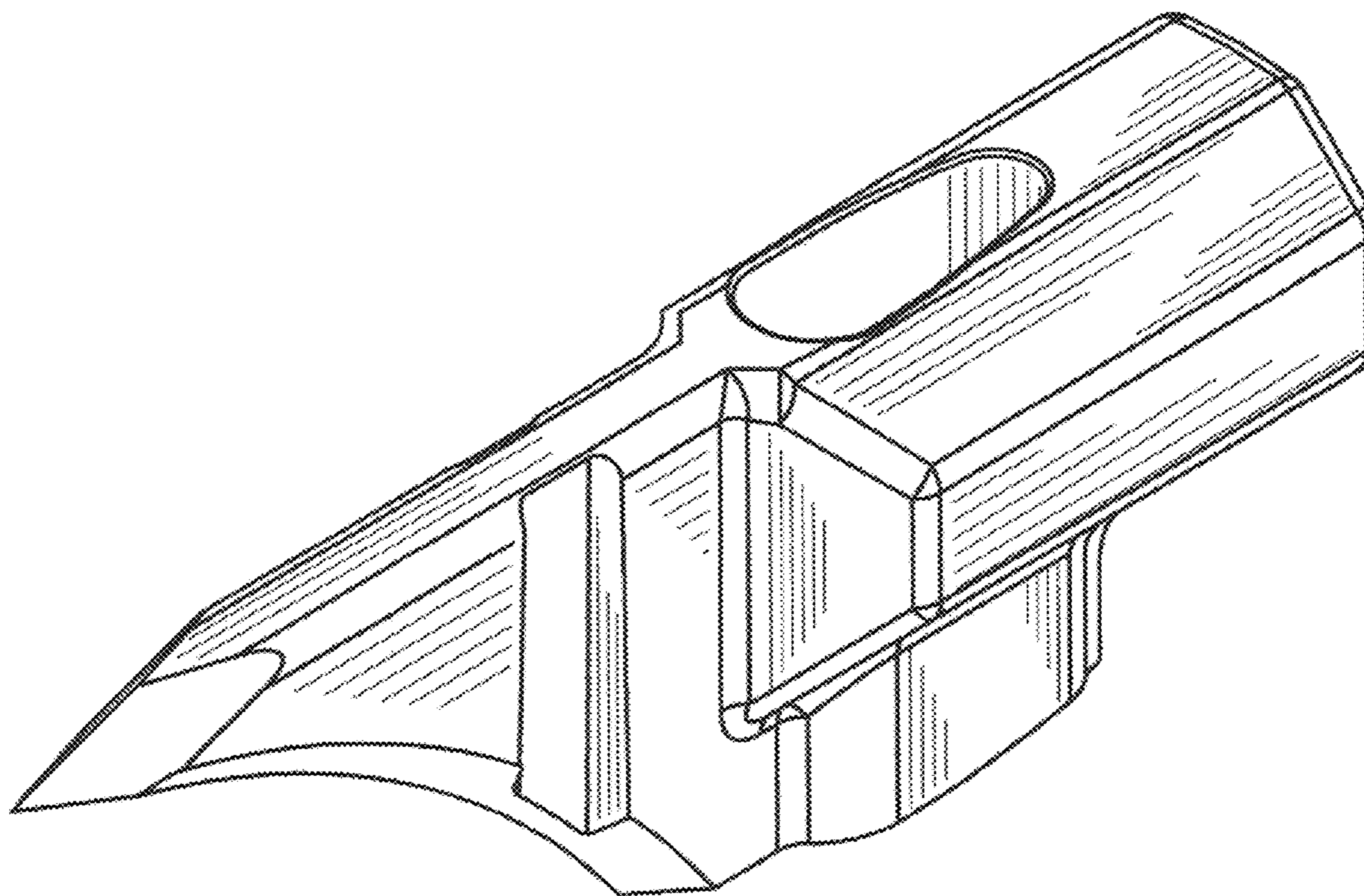
FIG. 5 is a top plan view thereof.

FIG. 6 is a bottom plan view thereof.

FIG. 7 is a rear elevational view thereof; and,

FIG. 8 is a front elevational view thereof.

1 Claim, 4 Drawing Sheets



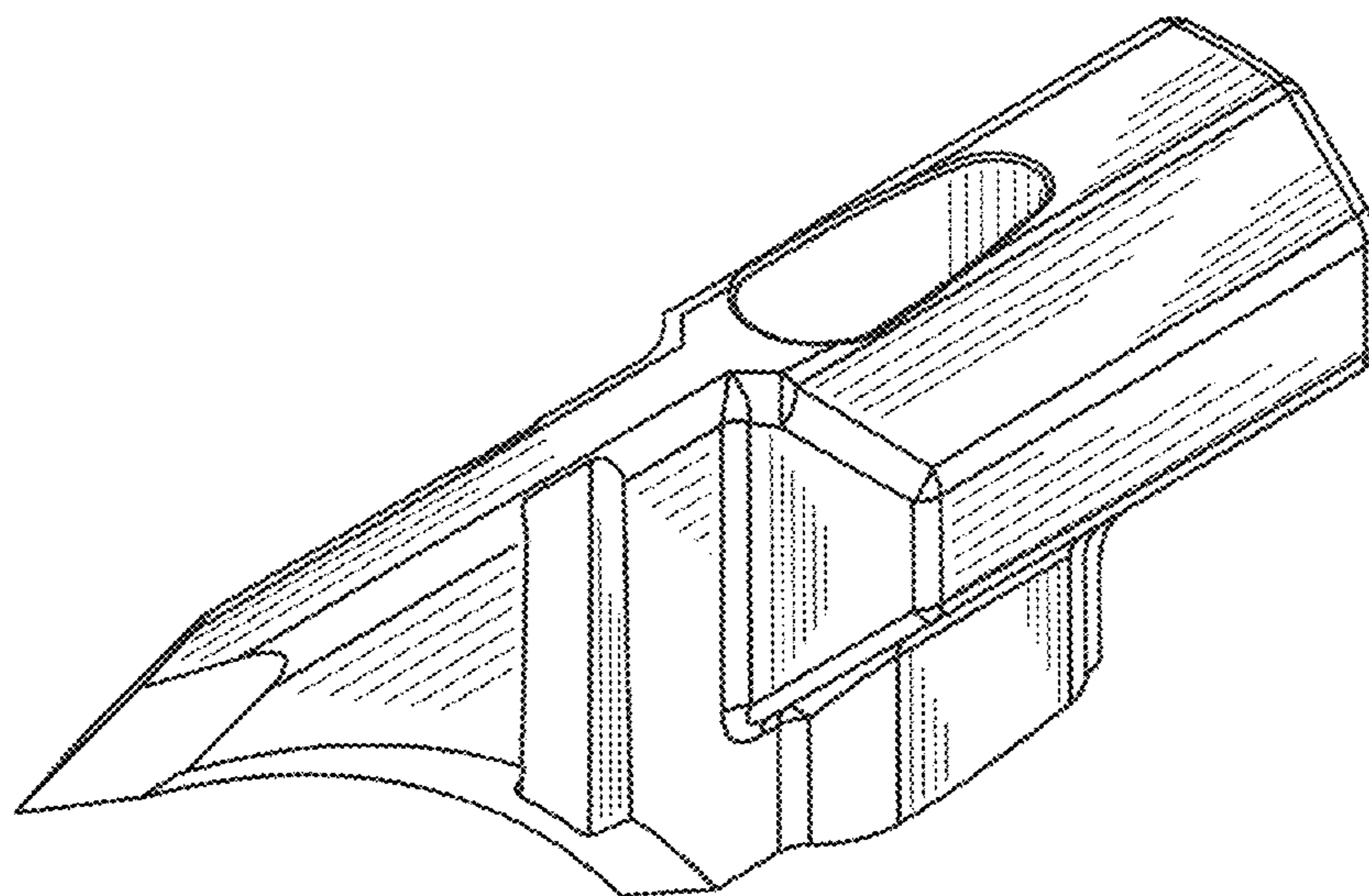


FIG. 1

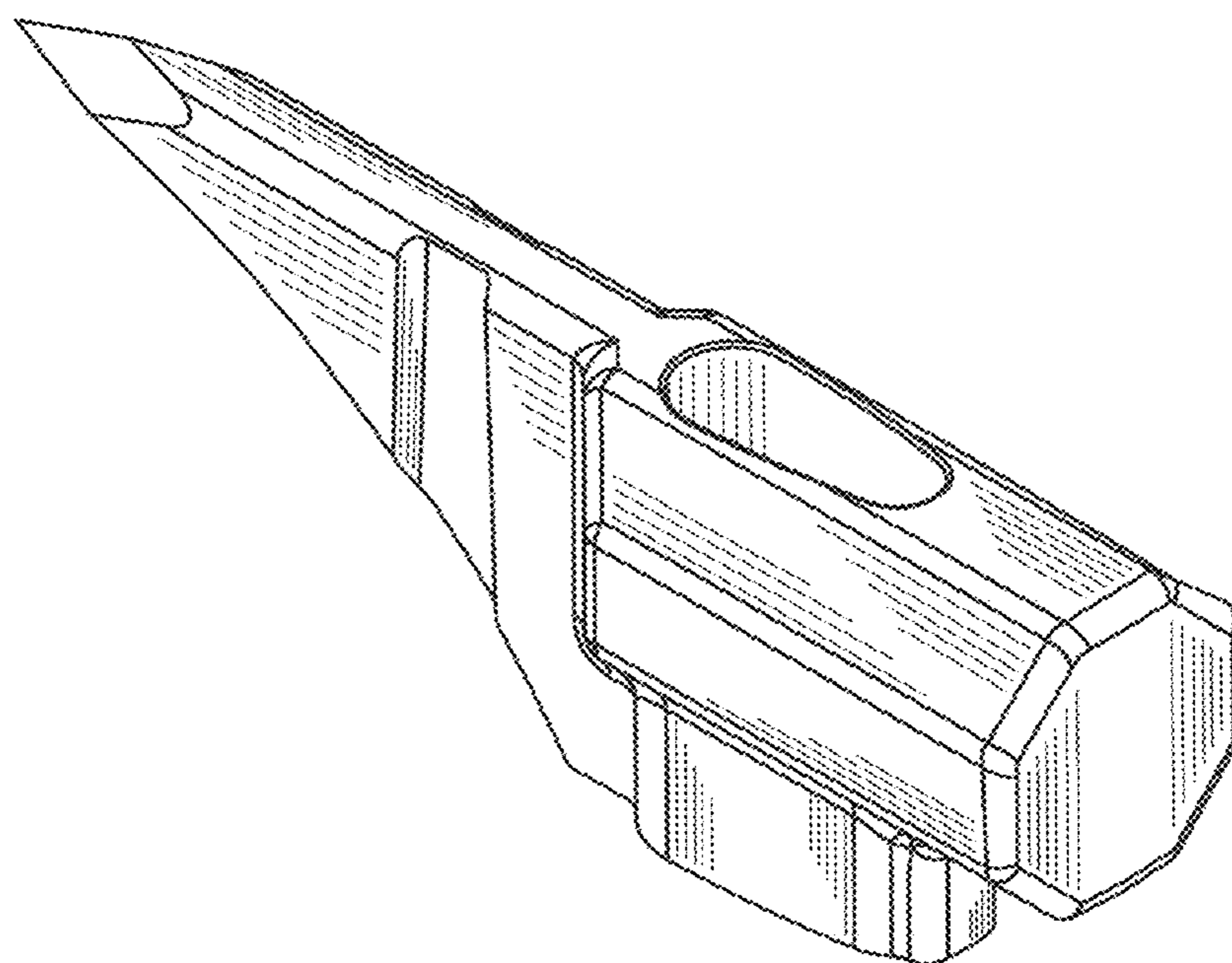


FIG. 2

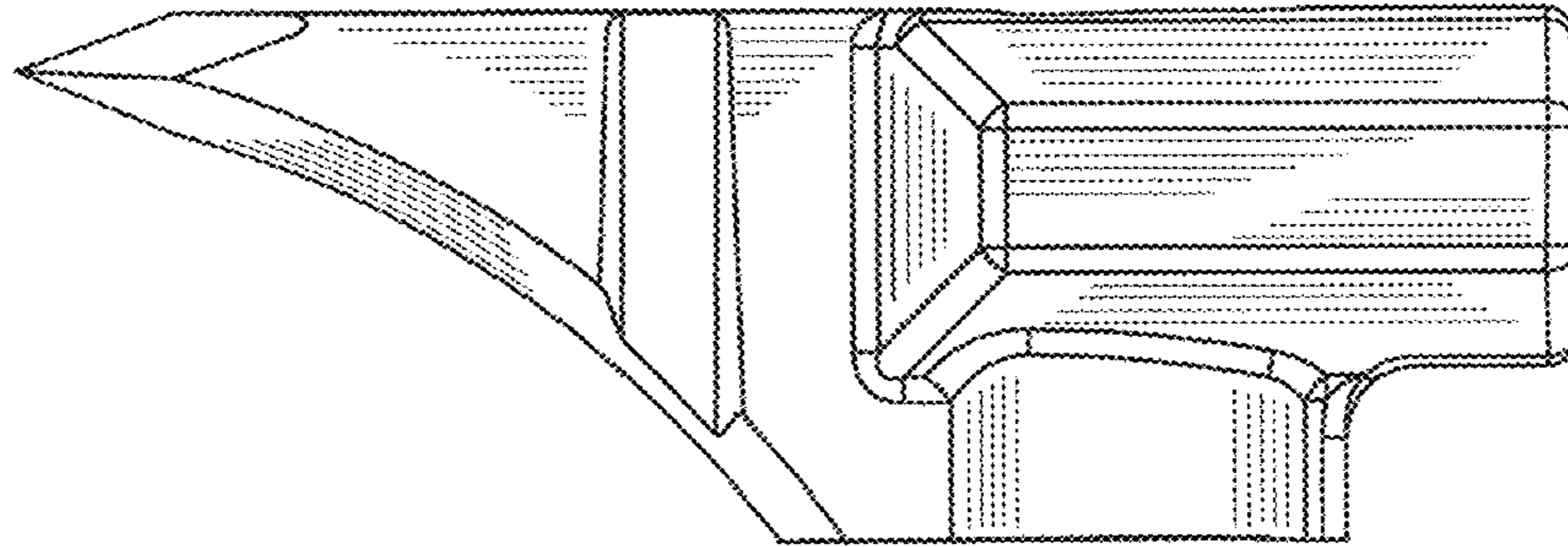


FIG.3

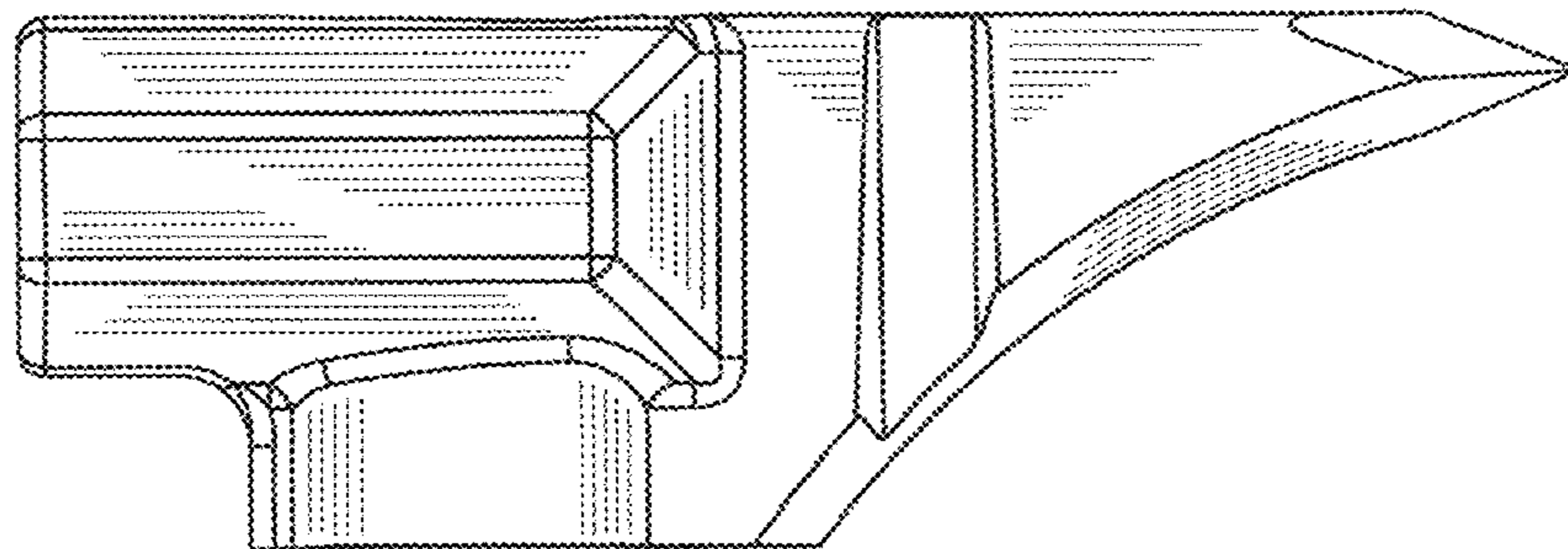


FIG.4

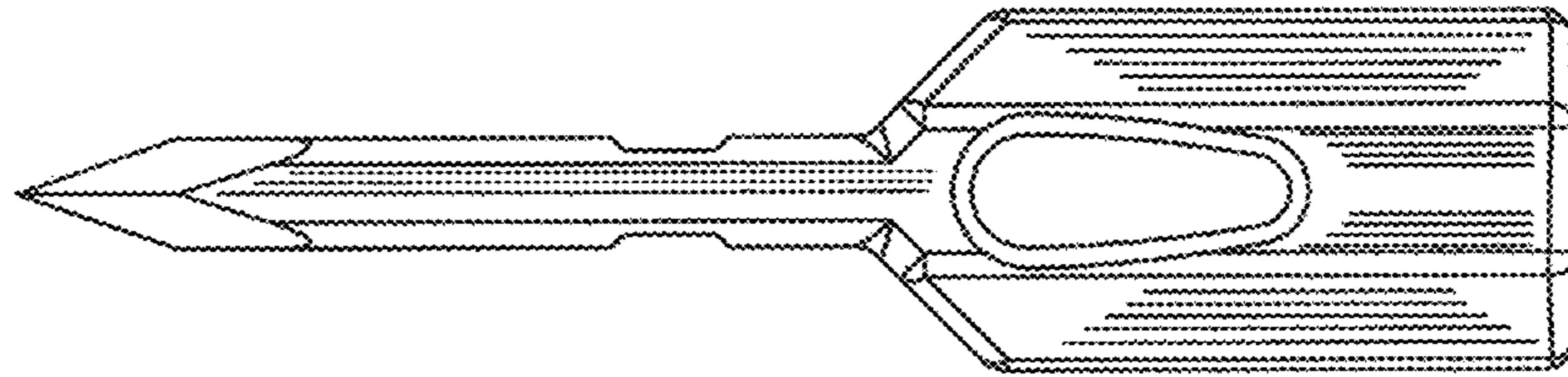


FIG.5

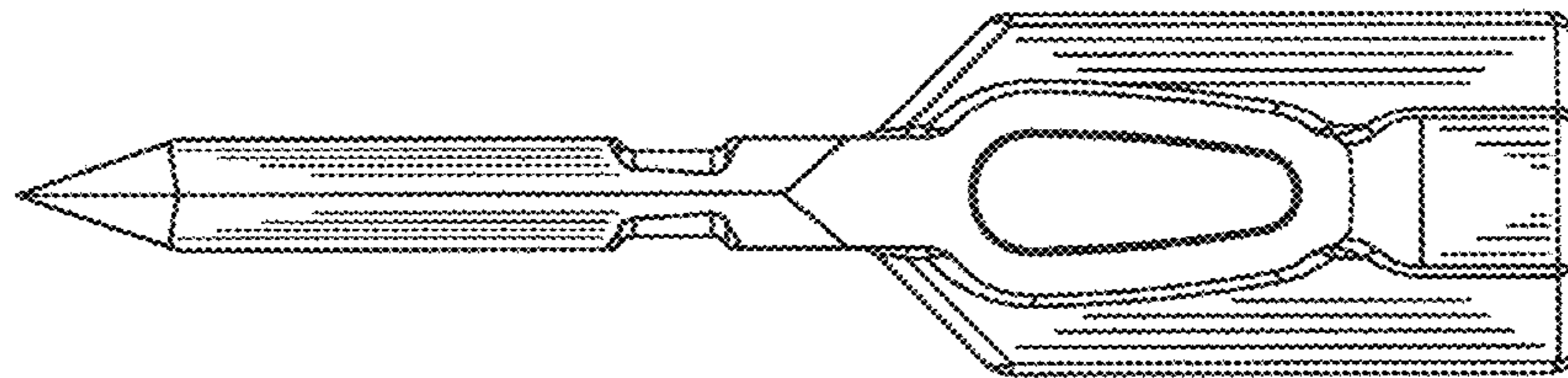


FIG.6

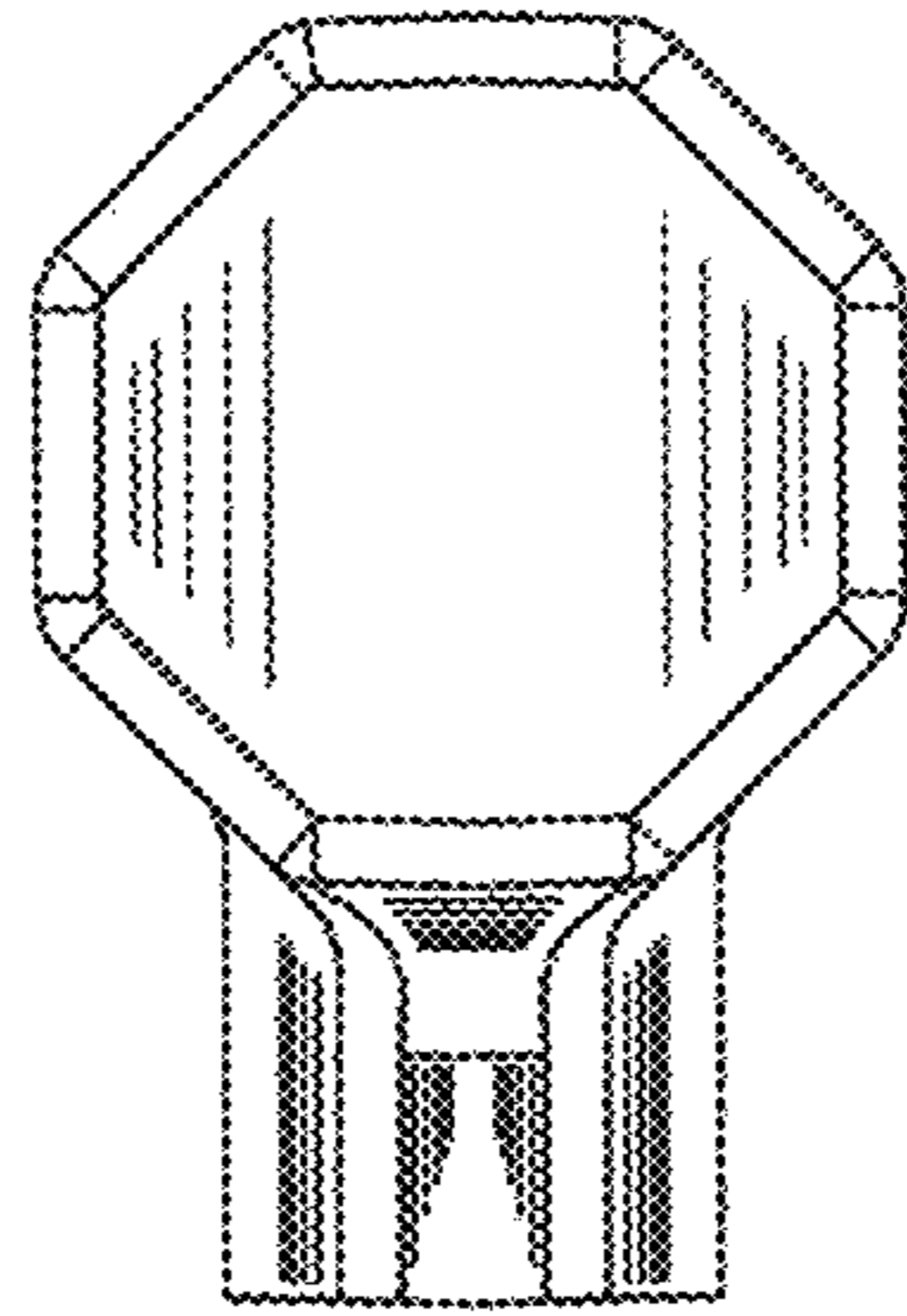


FIG. 7

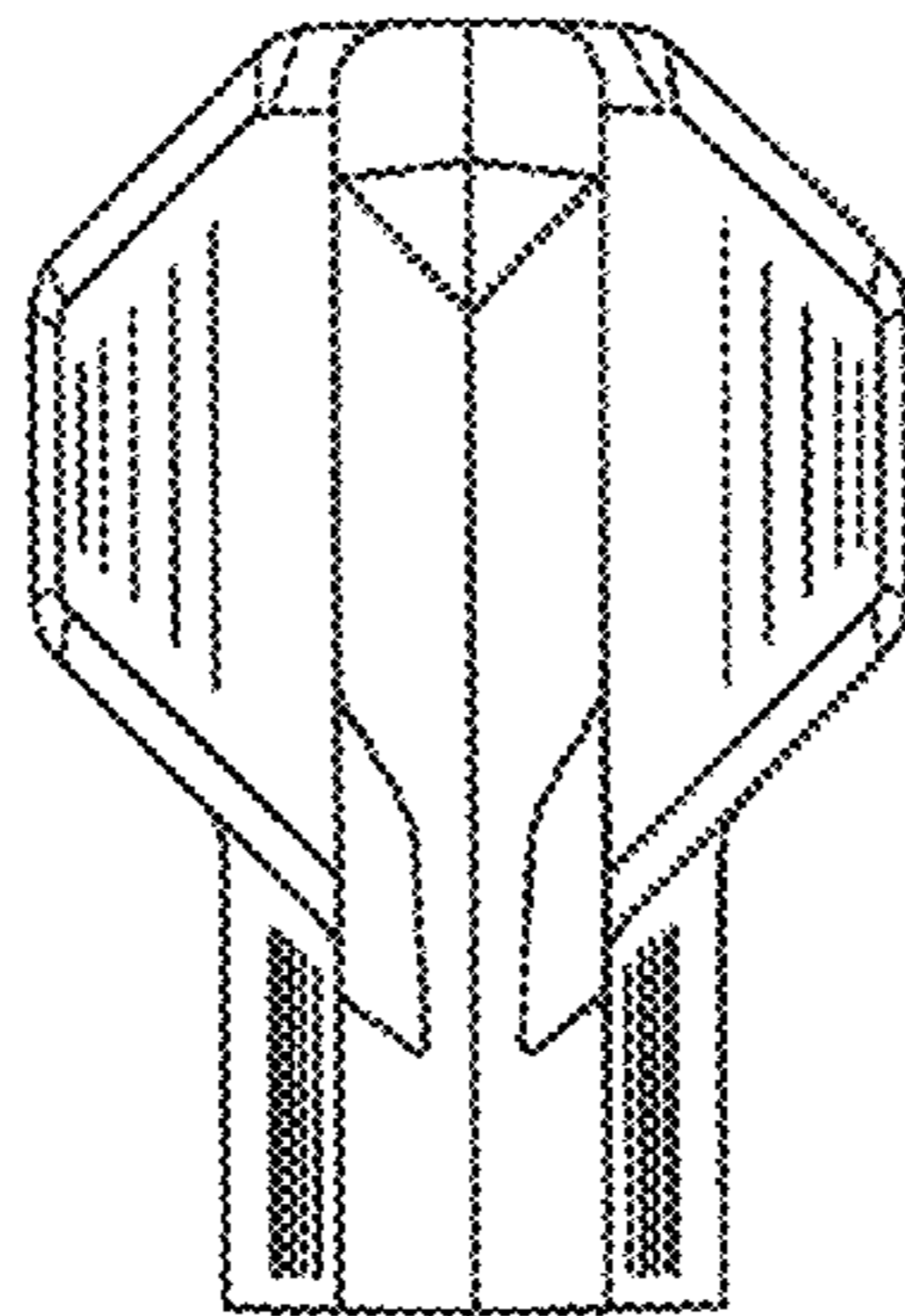


FIG. 8