



US00D878887S

(12) **United States Design Patent**  
**Ellice et al.**

(10) **Patent No.:** **US D878,887 S**

(45) **Date of Patent:** **\*\* Mar. 24, 2020**

- (54) **ROTARY POWER TOOL CHUCK**
- (71) Applicant: **MILWAUKEE ELECTRIC TOOL CORPORATION**, Brookfield, WI (US)
- (72) Inventors: **Joseph H. Ellice**, Greenfield, WI (US);  
**Ryan A. Dedrickson**, Sussex, WI (US);  
**Cole A. Conrad**, Wauwatosa, WI (US);  
**Mayela Schoonover**, Waukesha, WI (US)
- (73) Assignee: **Milwaukee Electric Tool Corporation**, Brookfield, WI (US)

(\*\*) Term: **15 Years**

(21) Appl. No.: **29/639,893**

(22) Filed: **Mar. 9, 2018**

(51) **LOC (12) Cl.** ..... **08-05**

(52) **U.S. Cl.**  
USPC ..... **D8/70; D15/140**

(58) **Field of Classification Search**  
USPC ..... D8/62, 68-70; D15/138-140  
CPC ..... B23B 31/1215; B23B 31/123; B23B 31/1253

See application file for complete search history.

(56) **References Cited**

**U.S. PATENT DOCUMENTS**

3,119,274	A	1/1964	Short	
D259,855	S *	7/1981	Derbyshire	D8/68
4,602,799	A	7/1986	Röhm	
5,829,761	A	11/1998	Röhm	
5,934,689	A	8/1999	Montjoy	
D423,527	S *	4/2000	Sakamaki	D15/140
D426,840	S *	6/2000	Sakamaki	D15/140
D433,909	S *	11/2000	Long	D15/140
D434,629	S *	12/2000	Long	D15/140
D461,696	S *	8/2002	Chunn	D15/140
D461,697	S *	8/2002	Chunn	D15/140

D462,249	S *	9/2002	Chunn	D15/140
6,517,088	B1	2/2003	Röhm	
D472,443	S *	4/2003	Chunn	D8/70
D474,387	S *	5/2003	Chunn	D15/140
6,581,942	B2	6/2003	Röhm	
D514,416	S *	2/2006	Watson	D15/140
D540,645	S *	4/2007	Yaksich	D15/138
D542,815	S *	5/2007	Concari	D15/140
D555,181	S *	11/2007	Hu	D15/140
D562,099	S *	2/2008	Hu	D8/70
D565,376	S *	4/2008	Hu	D8/70
D565,377	S *	4/2008	Hu	D8/70
D567,268	S *	4/2008	Mack	D15/140

(Continued)

**FOREIGN PATENT DOCUMENTS**

DE	7309760	6/1973
DE	3540223	5/1987

(Continued)

*Primary Examiner* — Darlington Ly

(74) *Attorney, Agent, or Firm* — Michael Best & Friedrich LLP

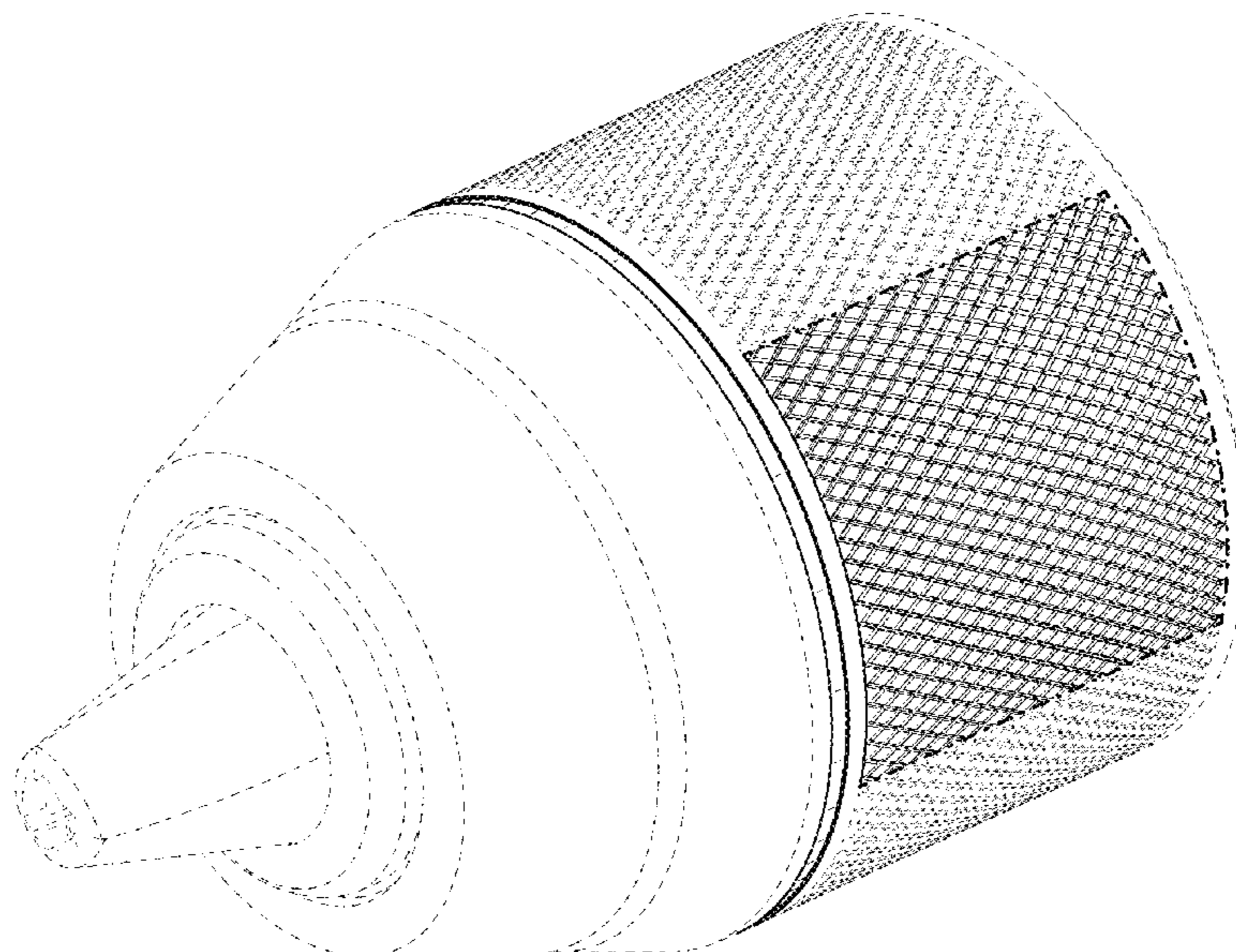
(57) **CLAIM**

We claim the ornamental design for a rotary power tool chuck, as shown and described.

**DESCRIPTION**

FIG. 1 is a front perspective view of a rotary power tool chuck showing our new design;  
 FIG. 2 is a right side elevation view thereof;  
 FIG. 3 is a left side elevation view thereof;  
 FIG. 4 is a front elevation view thereof;  
 FIG. 5 is a rear elevation view thereof;  
 FIG. 6 is a top plan view thereof; and,  
 FIG. 7 is a bottom plan view thereof.  
 The broken lines in the drawings illustrate portions of the rotary power tool chuck that form no part of the claimed design

**1 Claim, 4 Drawing Sheets**



(56)

**References Cited**

U.S. PATENT DOCUMENTS

D580,727	S *	11/2008	Mack	.....	D8/70
D590,228	S *	4/2009	Aglassinger	.....	D8/70
D593,390	S *	6/2009	Sakamaki	.....	D15/140
7,845,650	B2 *	12/2010	Mack	.....	B23B 31/1215 279/152
8,708,346	B2	4/2014	Harrison et al.		
D735,007	S *	7/2015	Schenk	.....	D15/140
D735,549	S *	8/2015	Schenk	.....	D15/140
9,205,497	B2	12/2015	Harrison et al.		
2003/0020242	A1	1/2003	Mack		
2008/0143062	A1 *	6/2008	Mack	.....	B23B 31/1215 279/62
2010/0127463	A1 *	5/2010	Zhou	.....	B23B 31/123 279/61
2010/0295257	A1	11/2010	Mack		
2015/0251252	A1	9/2015	Schenk		
2016/0236283	A1	8/2016	Schenk et al.		

FOREIGN PATENT DOCUMENTS

DE	20220597	11/2003
DE	20312517	1/2004
DE	102014108723	12/2015
WO	2017024544	2/2017

\* cited by examiner

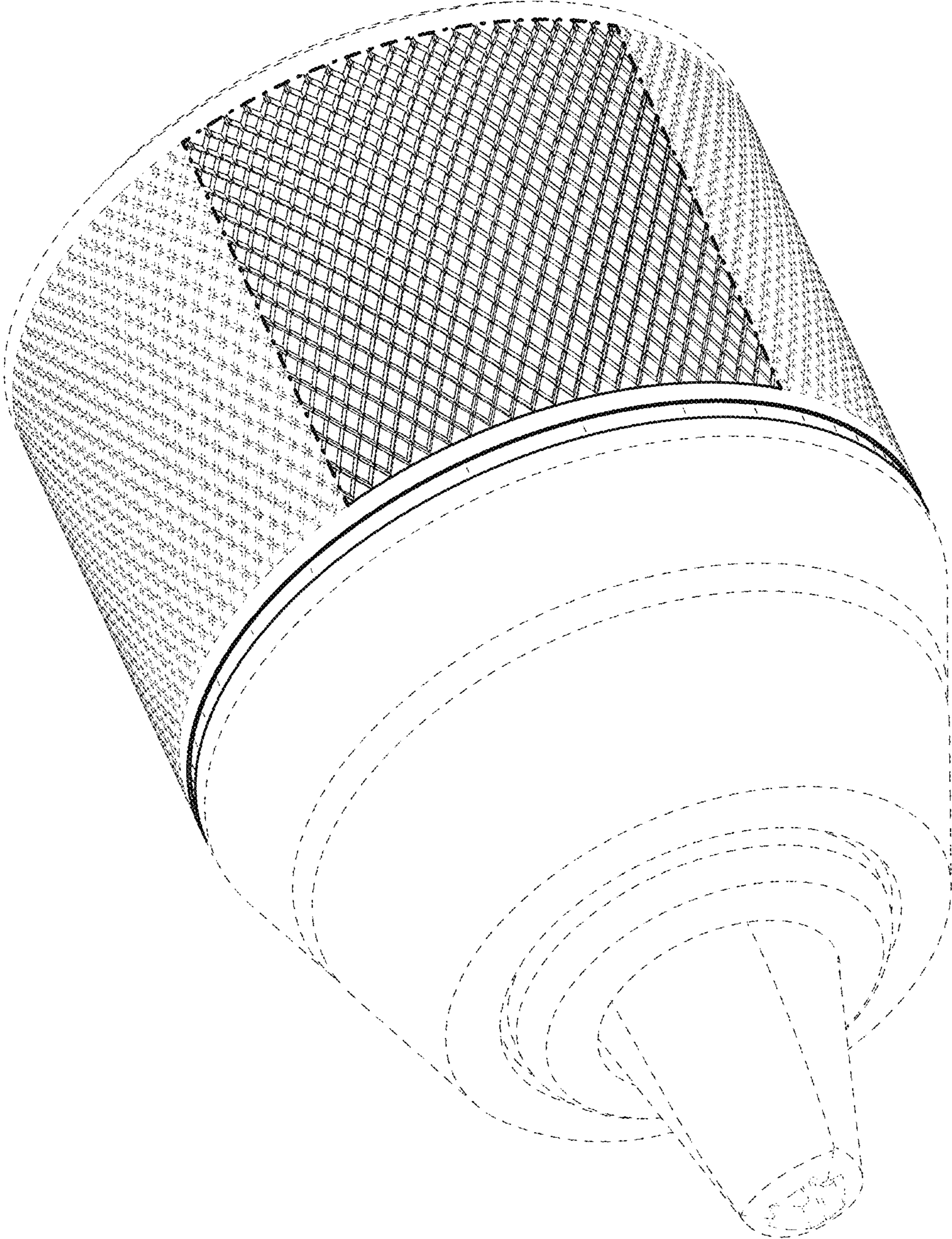
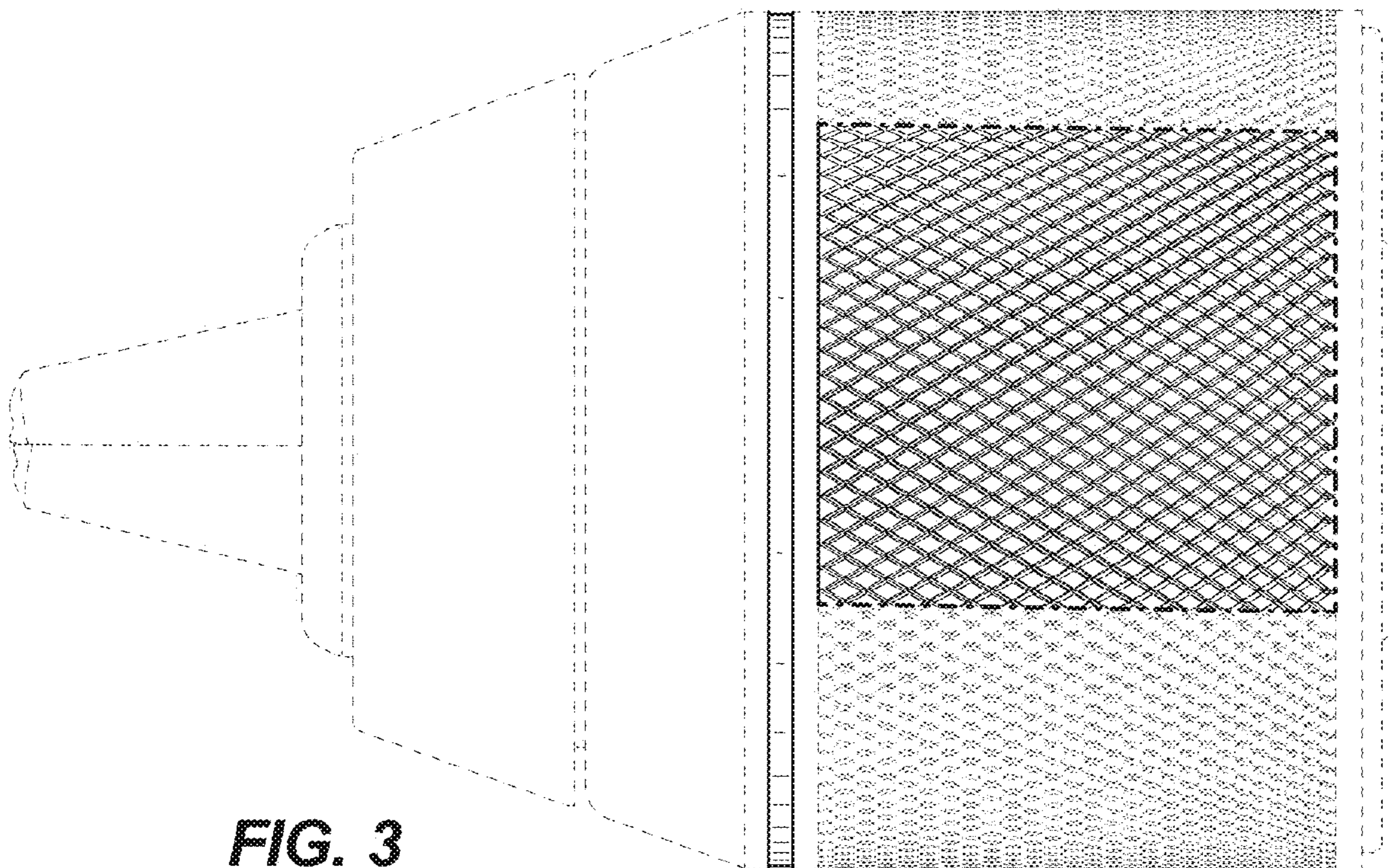
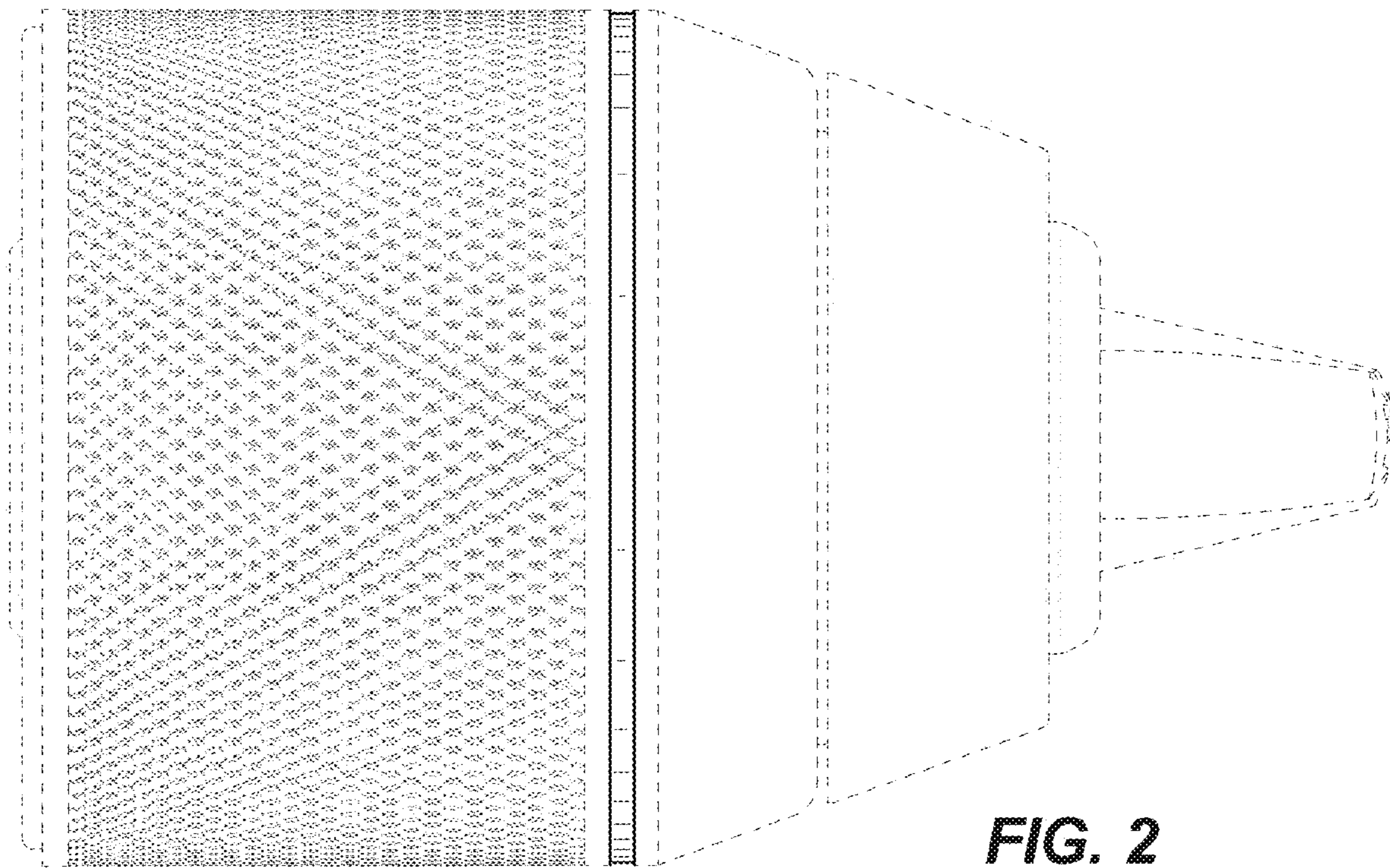
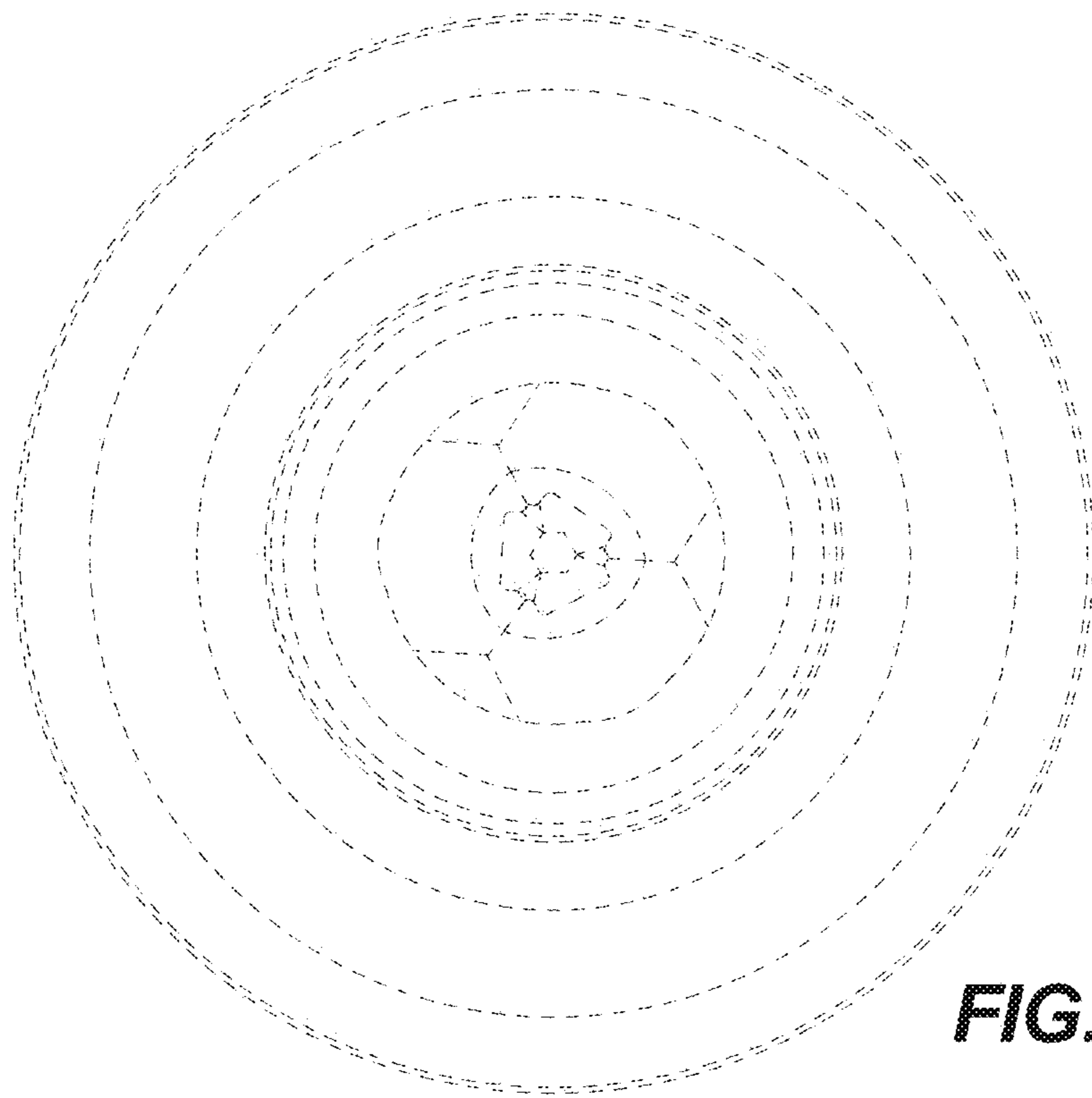
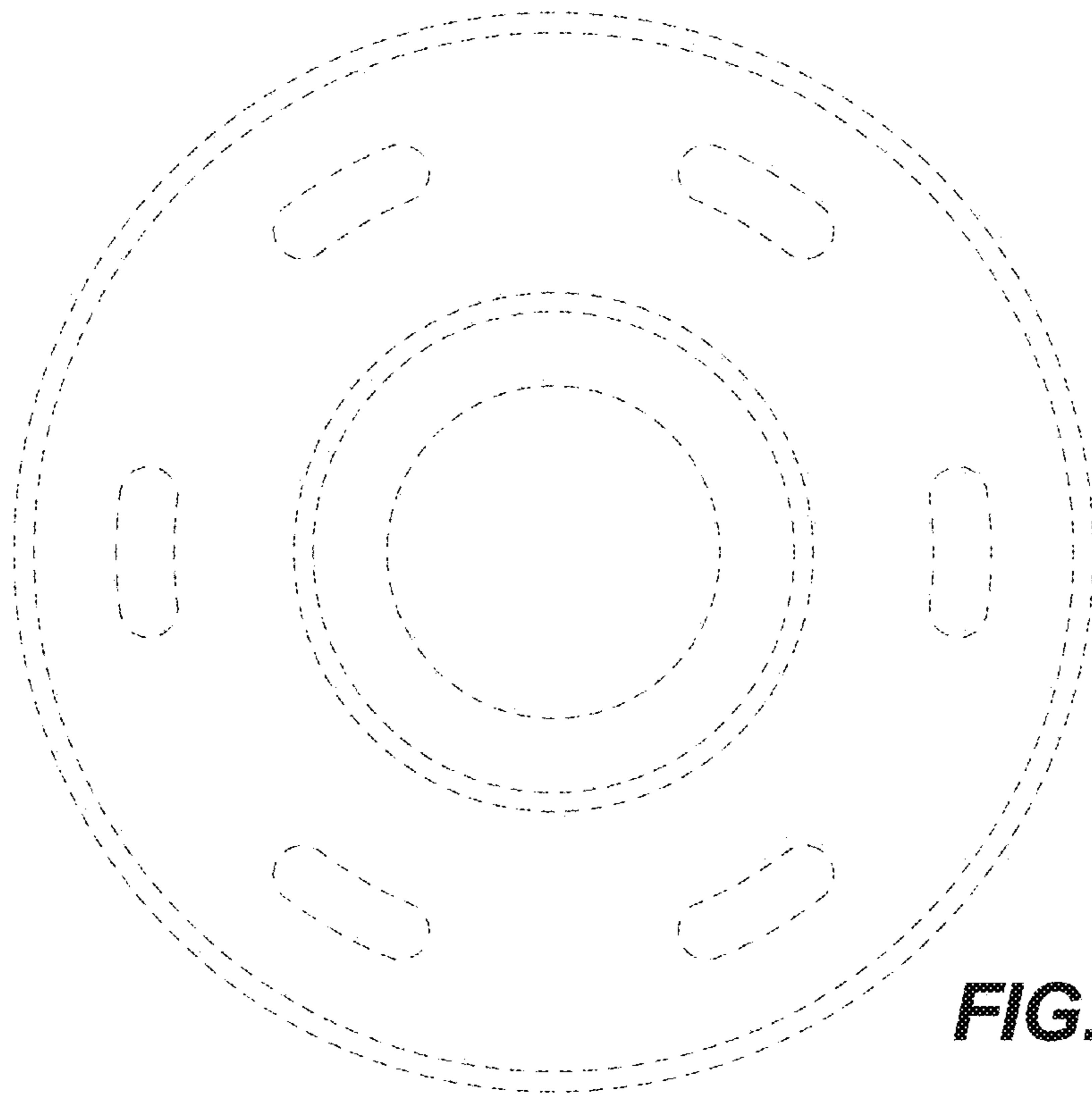


FIG. 1





**FIG. 4**



**FIG. 5**

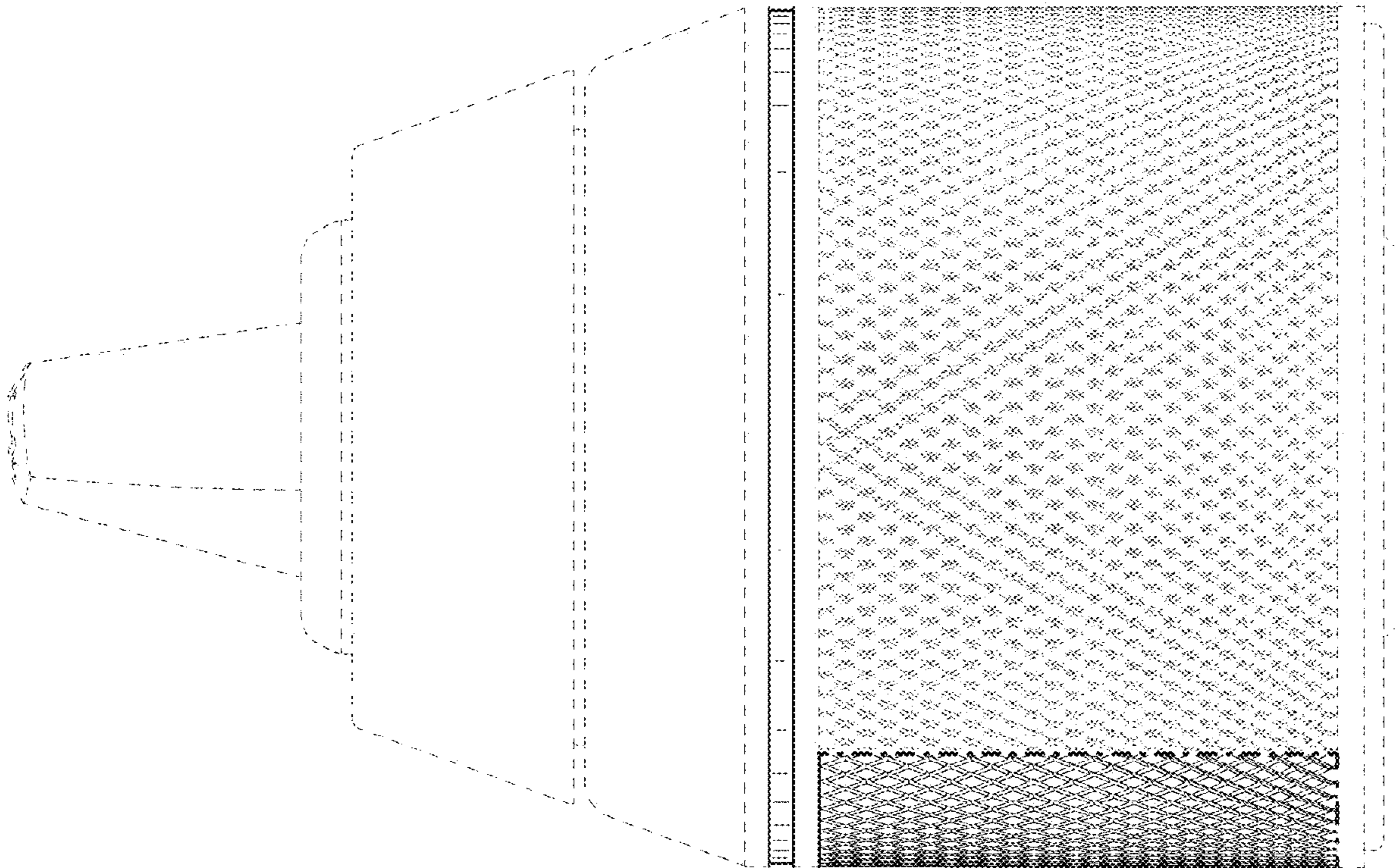


FIG. 6

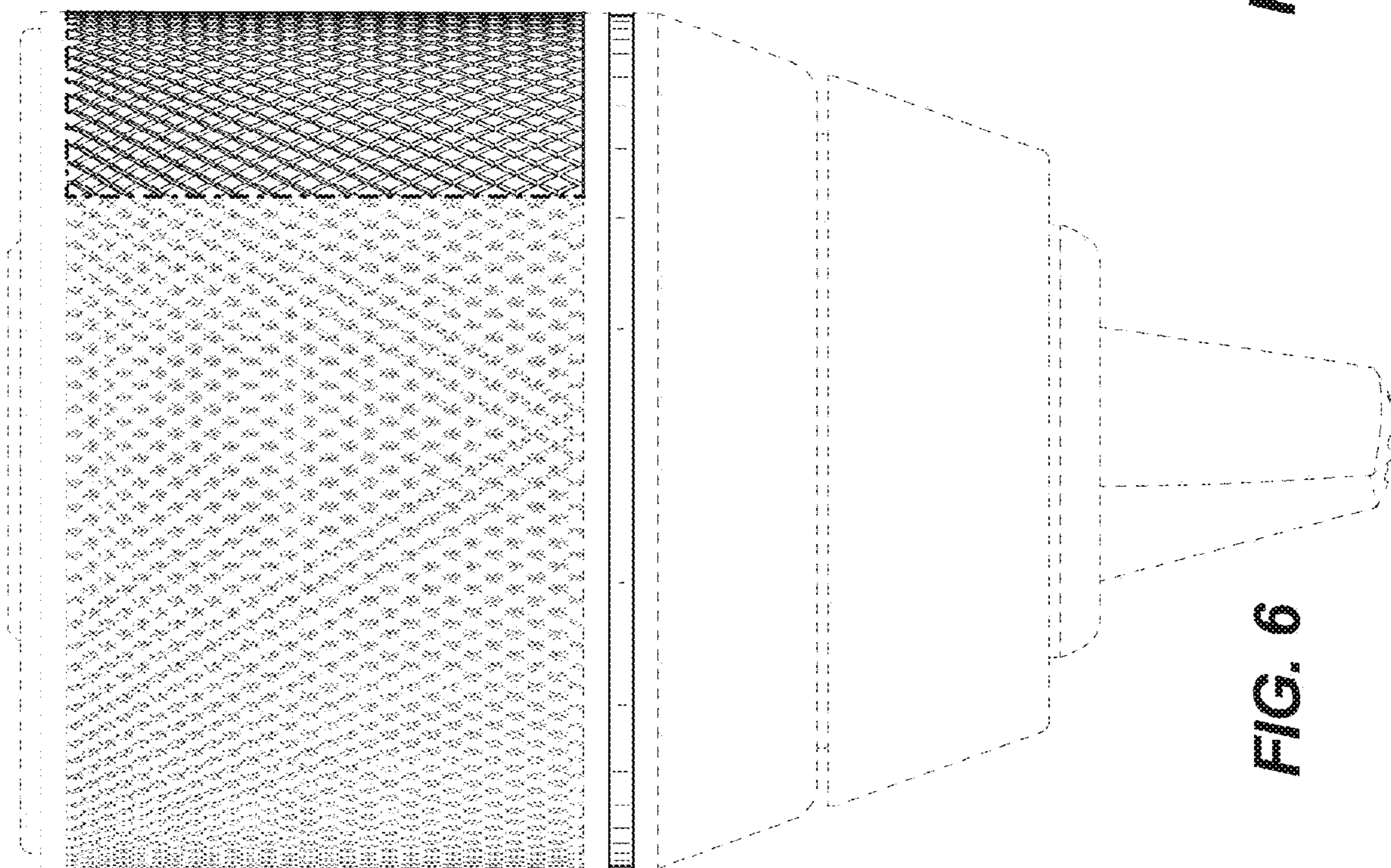


FIG. 7