

US00D878884S

(12) **United States Design Patent** (10) **Patent No.:** **US D878,884 S**  
**Farris et al.** (45) **Date of Patent:** **\*\* Mar. 24, 2020**

- (54) **WOODTURNING TOOL**
- (71) Applicant: **Woodpeckers, LLC**, Strongsville, OH (US)
- (72) Inventors: **Jeffery E. Farris**, Medina, OH (US);  
**Alex Krupa**, Parma Heights, OH (US);  
**Richard M. Hummel**, Parma, OH (US)
- (73) Assignee: **Woodpeckers, LLC**, Strongsville, OH (US)
- (\*\*) Term: **15 Years**
- (21) Appl. No.: **29/668,854**
- (22) Filed: **Nov. 2, 2018**
- (51) **LOC (12) Cl.** ..... **08-05**
- (52) **U.S. Cl.**  
USPC ..... **D8/47**
- (58) **Field of Classification Search**  
USPC ..... D8/14, 45, 47, 98, 101  
CPC ..... B27G 15/00; B27G 17/00; B27G 17/025;  
B27C 7/06  
See application file for complete search history.

8,800,414 B2	8/2014	Martin	
9,205,570 B2	12/2015	Perez et al.	
10,493,651 B1 *	12/2019	Farris .....	B27C 7/06
2007/0151428 A1	7/2007	Hunter	
2012/0006448 A1	1/2012	Batty	
2012/0267008 A1	10/2012	Batty	
2012/0291600 A1	11/2012	Perez et al.	
2014/0007979 A1	1/2014	Proctor	
2018/0178404 A1	6/2018	Yu et al.	

\* cited by examiner

*Primary Examiner* — Philip S Hyder

(74) *Attorney, Agent, or Firm* — Sand, Sebolt & Wernow Co., LPA

(57) **CLAIM**

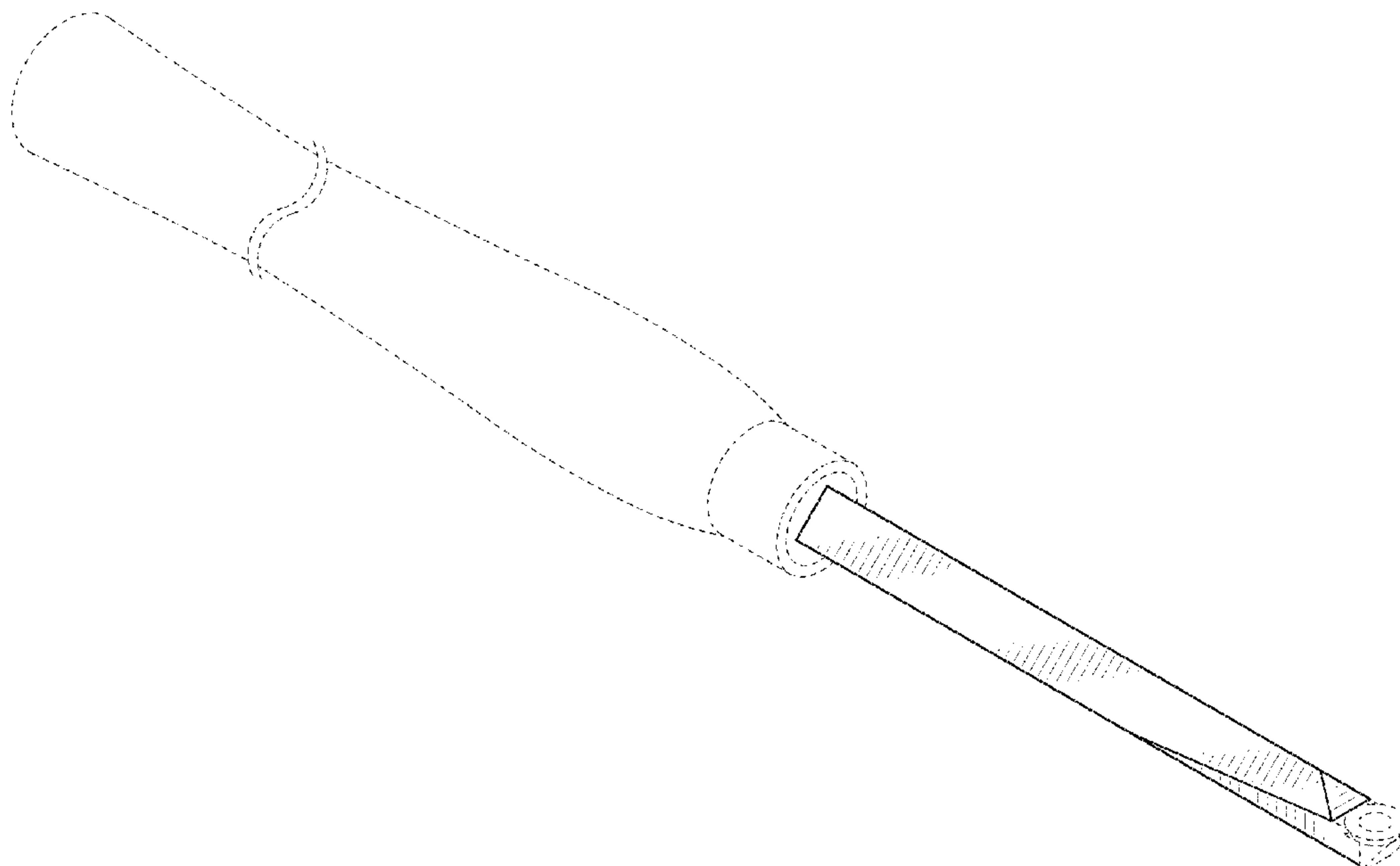
The ornamental design for a woodturning tool, as shown and described.

**DESCRIPTION**

FIG. 1 is a top, isometric perspective view of a woodturning tool in accordance with our design;  
 FIG. 2 is a bottom isometric perspective view of the woodturning tool of FIG. 1;  
 FIG. 3 is a front end elevation view of the woodturning tool of FIG. 1;  
 FIG. 4 is a rear end elevation view thereof;  
 FIG. 5 is a right side elevation view thereof;  
 FIG. 6 is a left side elevation view thereof;  
 FIG. 7 is a top plan view thereof;  
 FIG. 8 is a bottom plan view thereof; and,  
 FIG. 9 is a cross-section through line 9-9 of FIG. 8.  
 The broken lines illustrate portions of the woodturning tool which form no part of the claimed design.  
 The dot-dash broken lines shown in the drawings indicate section lines for detailed cross-section views and form no part of the claimed design.

**1 Claim, 6 Drawing Sheets**

- (56) **References Cited**  
U.S. PATENT DOCUMENTS
- |                |         |                |                        |
|----------------|---------|----------------|------------------------|
| 2,068,625 A    | 1/1937  | Burton         |                        |
| 3,014,509 A    | 12/1961 | Cederblad      |                        |
| 4,063,577 A    | 12/1977 | Tennant        |                        |
| 4,345,631 A *  | 8/1982  | Lemler .....   | B27G 15/00<br>30/167.2 |
| 4,502,517 A    | 3/1985  | Larson         |                        |
| 4,754,787 A    | 7/1988  | Smith          |                        |
| 5,810,649 A    | 9/1998  | Oar et al.     |                        |
| 6,253,812 B1 * | 7/2001  | Rinehart ..... | B23B 51/0009<br>142/56 |
| 7,490,640 B2   | 2/2009  | Hege           |                        |



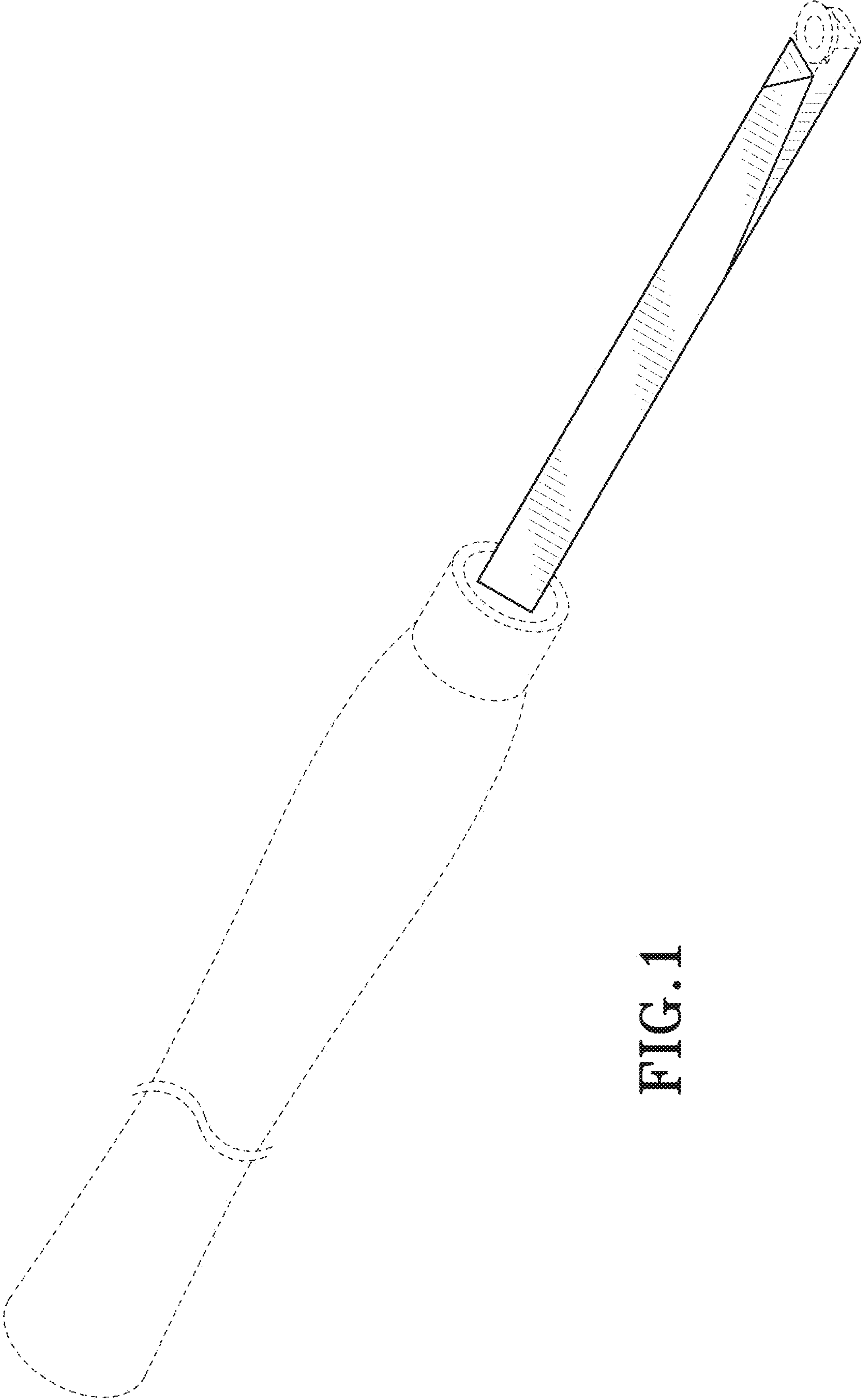


FIG. 1

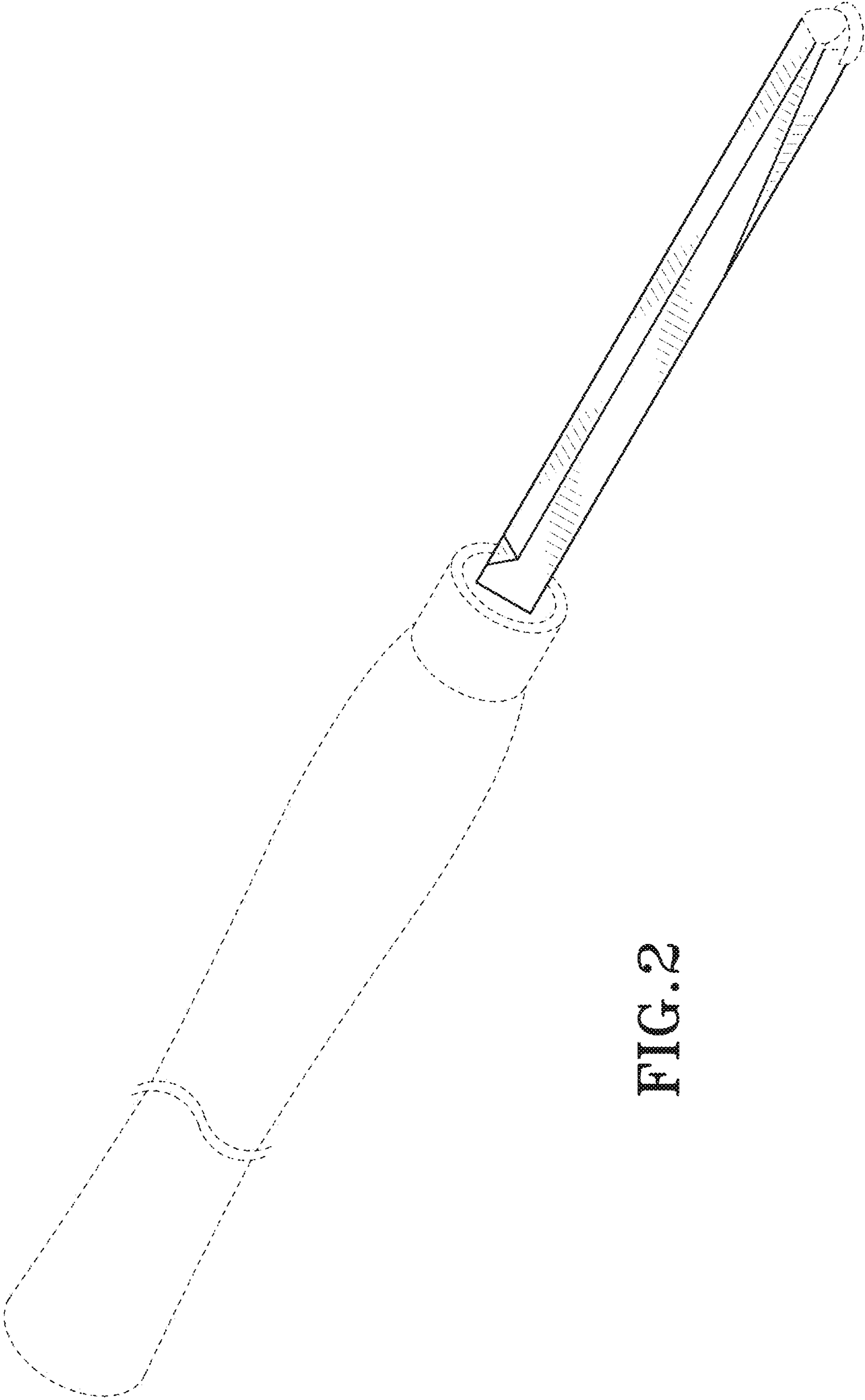
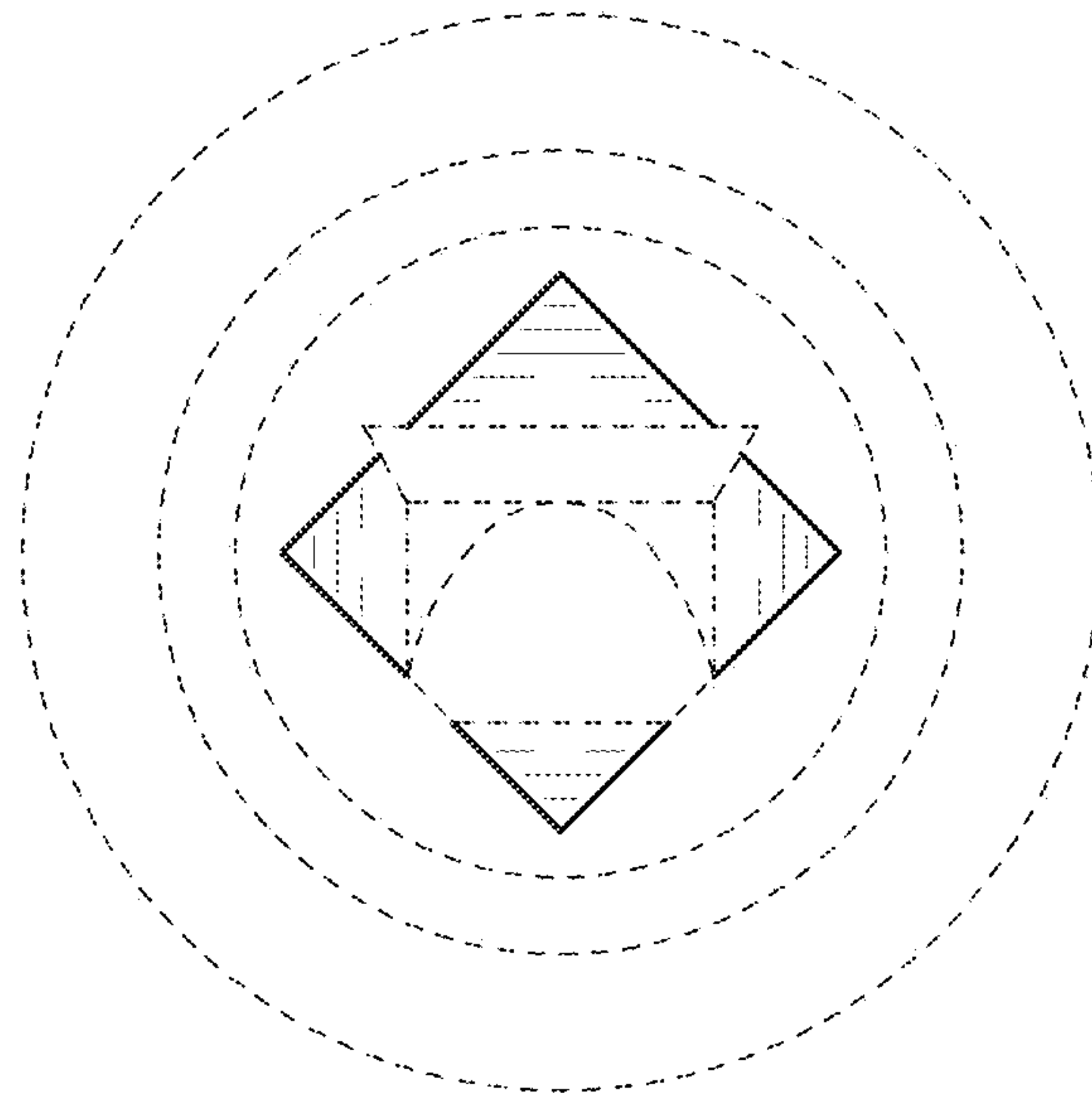
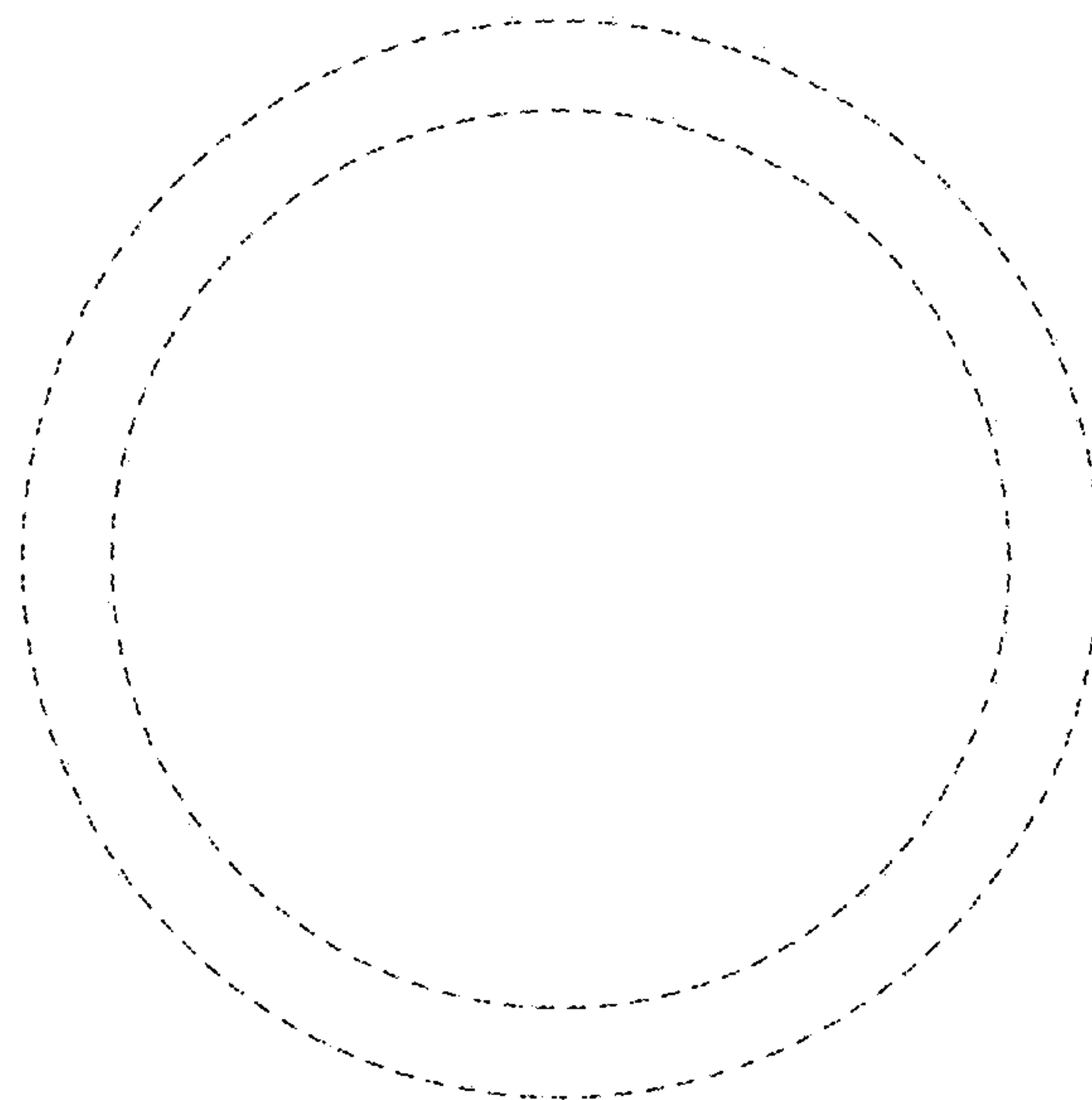


FIG. 2



**FIG. 3**



**FIG. 4**

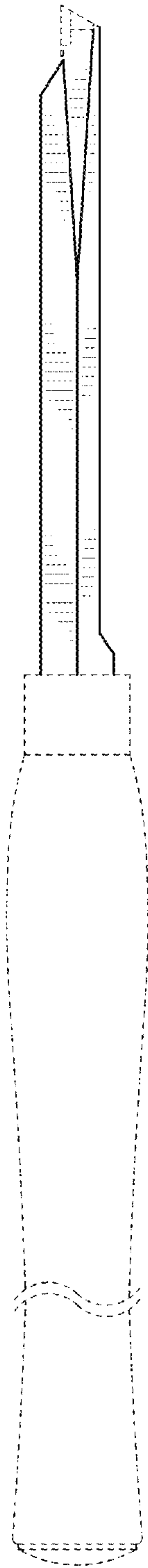


FIG. 5

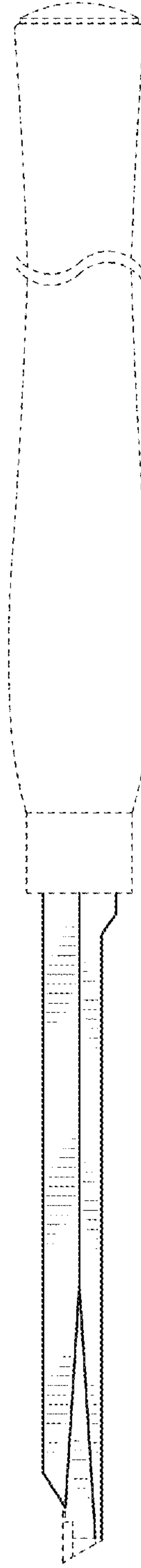


FIG. 6

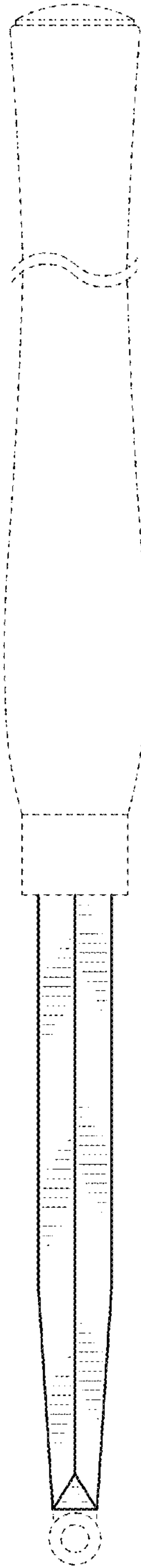


FIG. 7

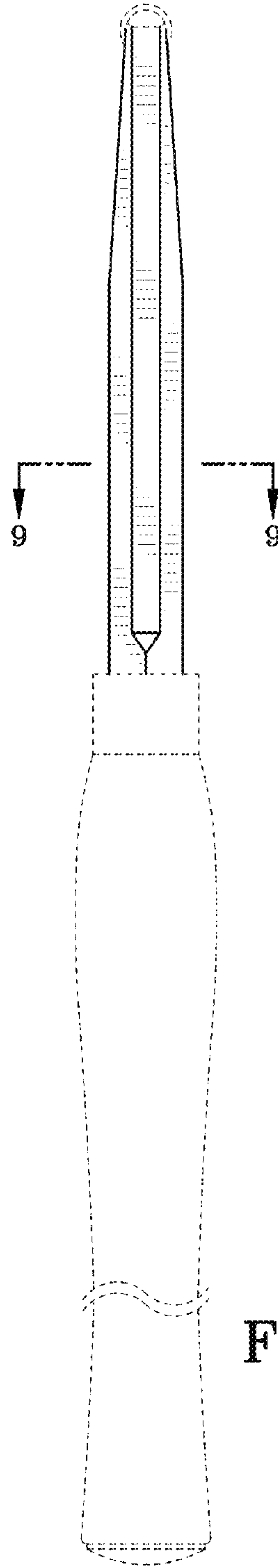
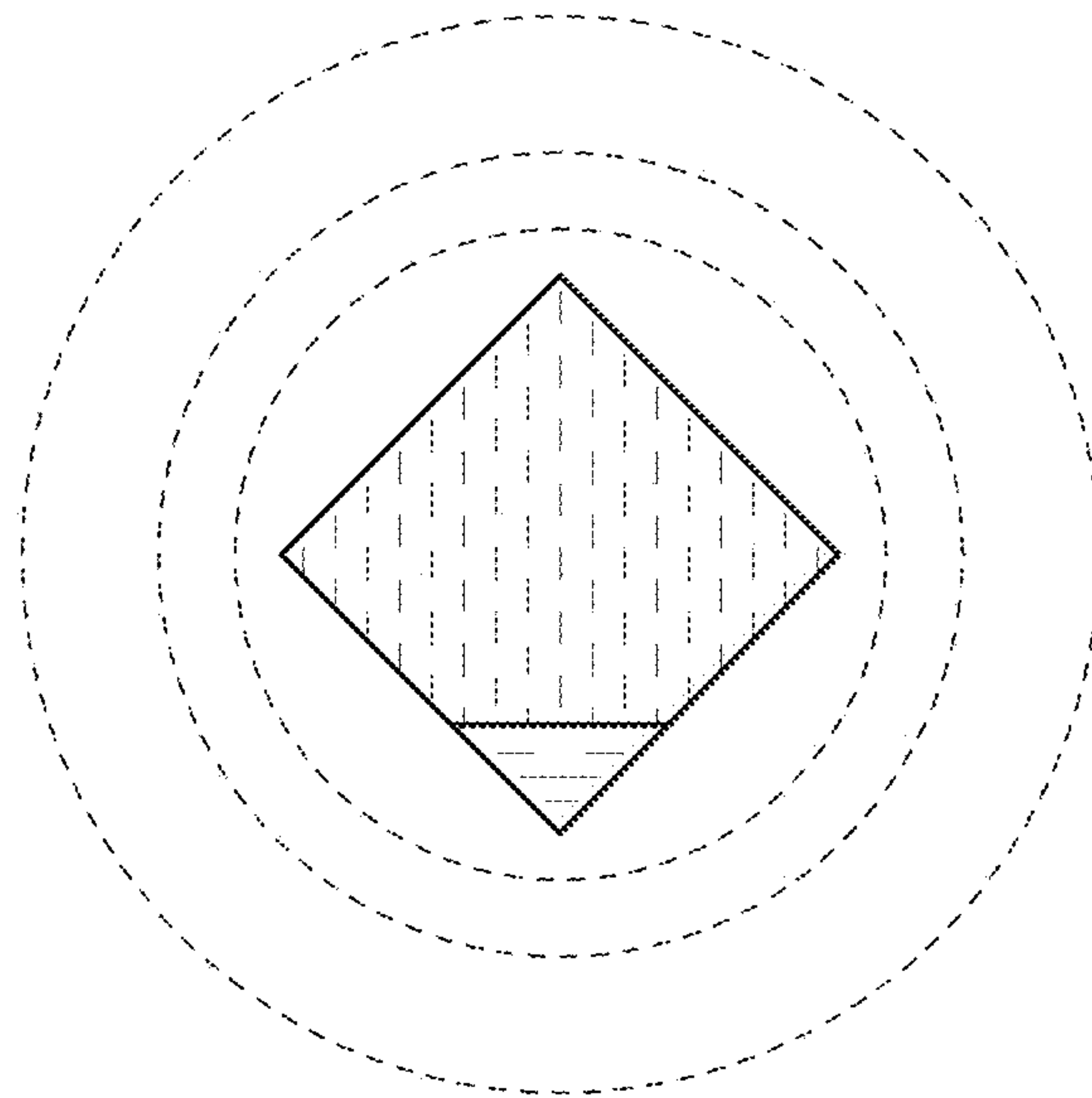


FIG. 8



**FIG. 9**