



US00D878883S

(12) **United States Design Patent**  
**Hu**

(10) **Patent No.: US D878,883 S**

(45) **Date of Patent: \*\* Mar. 24, 2020**

(54) **WINDOW BREAKER**

(71) Applicants: **SHENZHEN QIANHAI PATUOXUN NETWORK AND TECHNOLOGY CO., LTD**, Shenzhen (CN);  
**GUANGZHOU CHAOSHENG TECHNOLOGY CO., LTD**, Guangzhou (CN)

(72) Inventor: **Zaihui Hu**, Shenzhen (CN)

(73) Assignees: **SHENZHEN QIANHAI PATUOXUN NETWORK AND TECHNOLOGY CO., LTD**, Shenzhen (CN);  
**GUANGZHOU CHAOSHENG TECHNOLOGY CO., LTD**, Guangzhou (CN)

(\*\*) Term: **15 Years**

(21) Appl. No.: **29/706,927**

(22) Filed: **Sep. 25, 2019**

(51) **LOC (12) Cl. .... 08-05**

(52) **U.S. Cl.**  
USPC ..... **D8/14**

(58) **Field of Classification Search**  
USPC ..... D8/14, 47, 75, 105  
CPC ..... A62B 3/005; A62B 3/00; B25D 5/02  
See application file for complete search history.

(56) **References Cited**

**U.S. PATENT DOCUMENTS**

6,418,628 B1 \* 7/2002 Steingass ..... A62B 3/005  
30/366  
D575,182 S \* 8/2008 Rubin ..... D10/104.1  
7,557,720 B2 \* 7/2009 Rubin ..... A62B 3/005  
340/321  
D699,542 S \* 2/2014 Rubin ..... D8/105

D732,369 S \* 6/2015 Rubin ..... D8/105  
9,254,560 B2 \* 2/2016 Rubin ..... B25F 1/006  
2015/0033477 A1 \* 2/2015 Rubin ..... B25D 5/02  
7/158

**OTHER PUBLICATIONS**

“Resqme GBO-RQM-Black Car Escape Tool, Black, 1 Resqme”, Retrieved Sep. 23, 2019]. Retrieved from Internet, <https://www.amazon.co.uk/Resqme-GBO-RQM-BLACK-Escape-Tool-Black/dp/B000IE0EZO/>.

“G-better 4pcs 3 in 1 Car Life Keychain Emergency Escape Tool with Car Window Car Safety Rescue Tool Window Glass Breaker Safety Seat Belt Cutter Hammer With Keyring (Red&Green&Black &Yellow)”, Retrieved Sep. 23, 2019]. Retrieved from Internet, <https://www.amazon.co.uk/G-better-Keychain-Emergency-Breaker-Keyring/dp/B07W15YPPH/>.

\* cited by examiner

*Primary Examiner* — Philip S Hyder

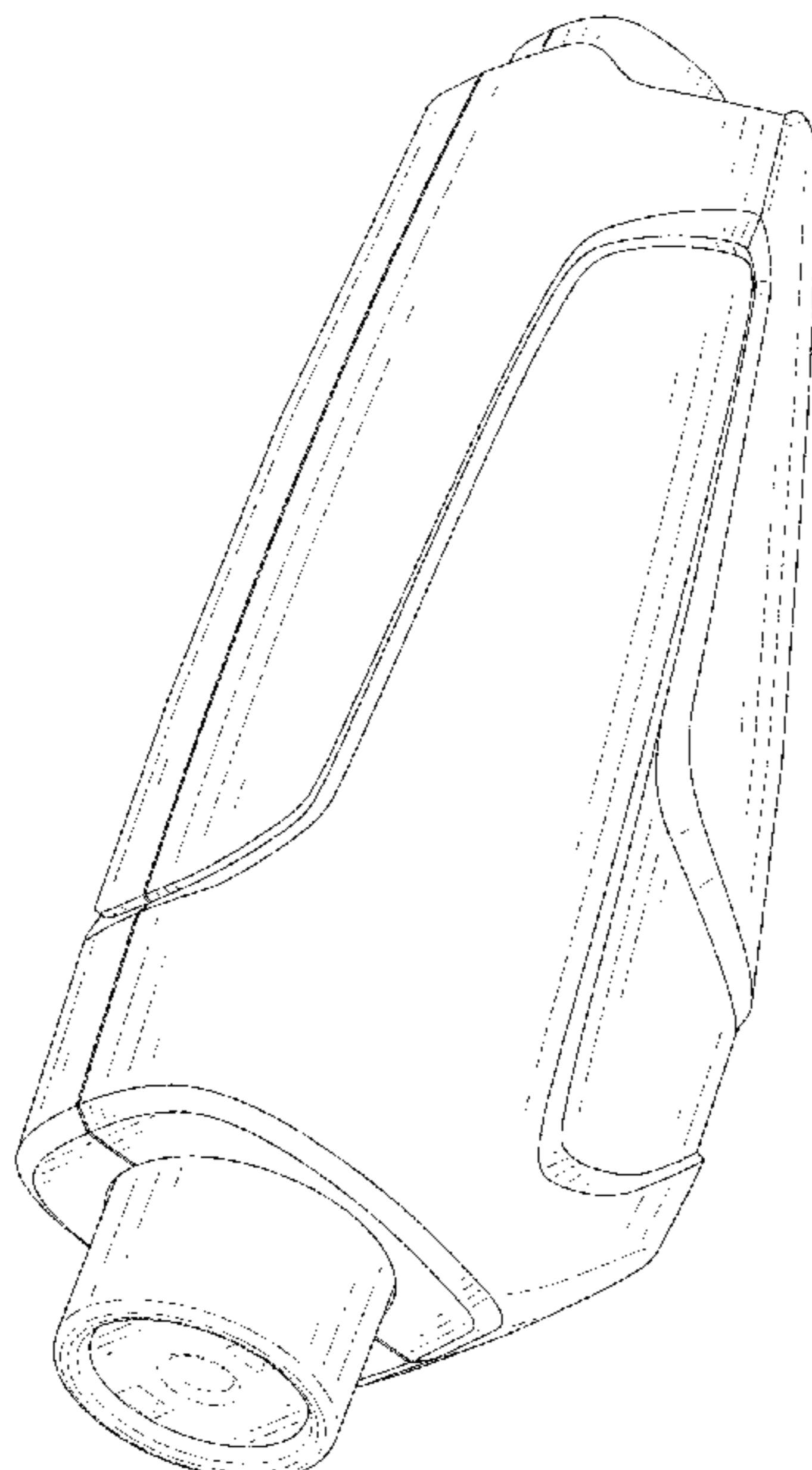
(57) **CLAIM**

The ornamental design for a window breaker, as shown and described.

**DESCRIPTION**

FIG. 1 is a perspective view of a window breaker showing my new design;  
FIG. 2 is another perspective view thereof;  
FIG. 3 is a front elevational view thereof;  
FIG. 4 is a rear elevational view thereof;  
FIG. 5 is a left side elevational view thereof;  
FIG. 6 is a right side elevational view thereof;  
FIG. 7 is a top plan view thereof;  
FIG. 8 is a bottom plan view thereof;  
FIG. 9 is an enlarged view of portion 9 shown in FIG. 1; and,  
FIG. 10 is an enlarged view of portion 10 shown in FIG. 1.  
The broken lines in the drawings depict portions of the window breaker that form no part of the claimed design.

**1 Claim, 10 Drawing Sheets**



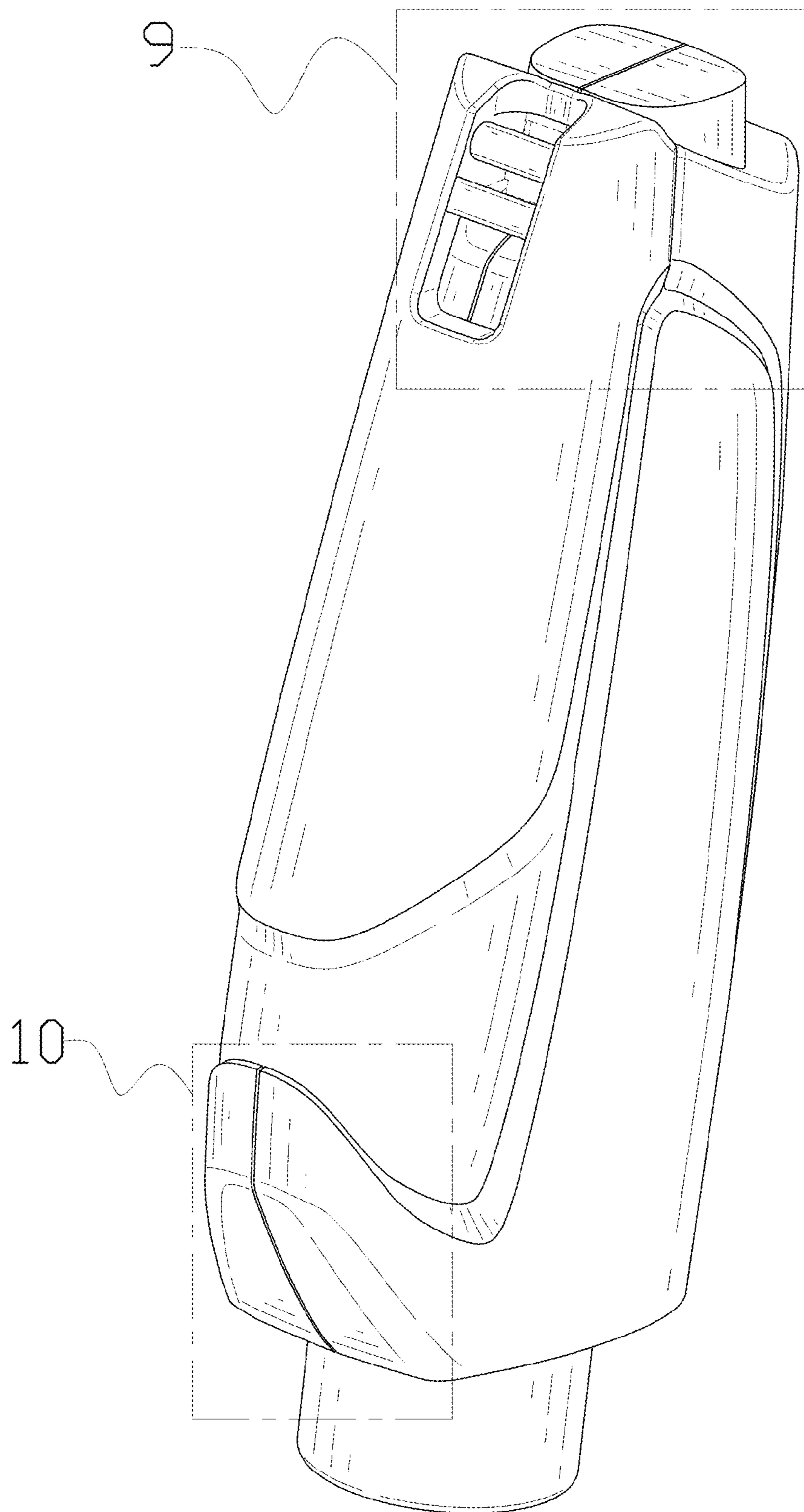


FIG. 1

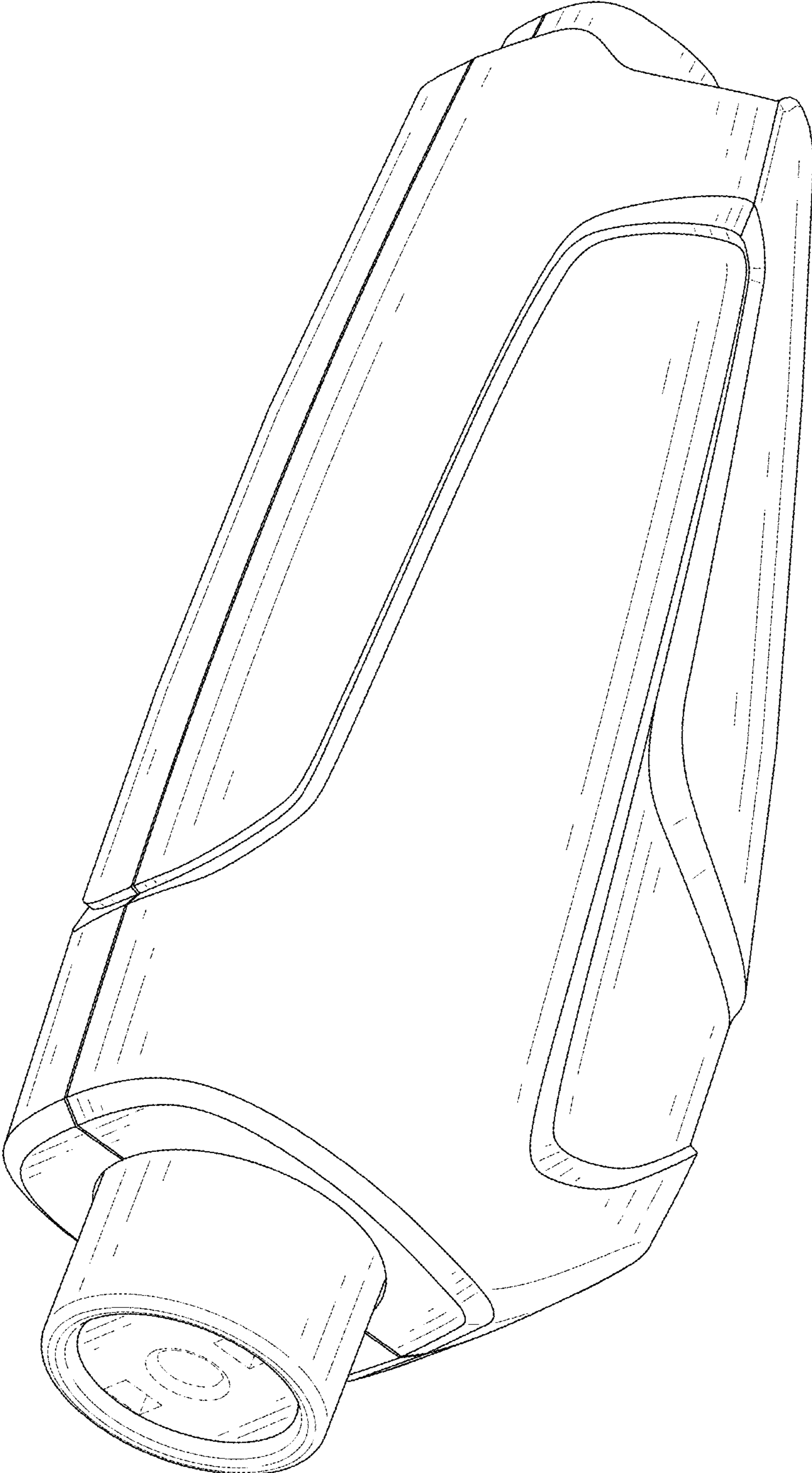


FIG. 2

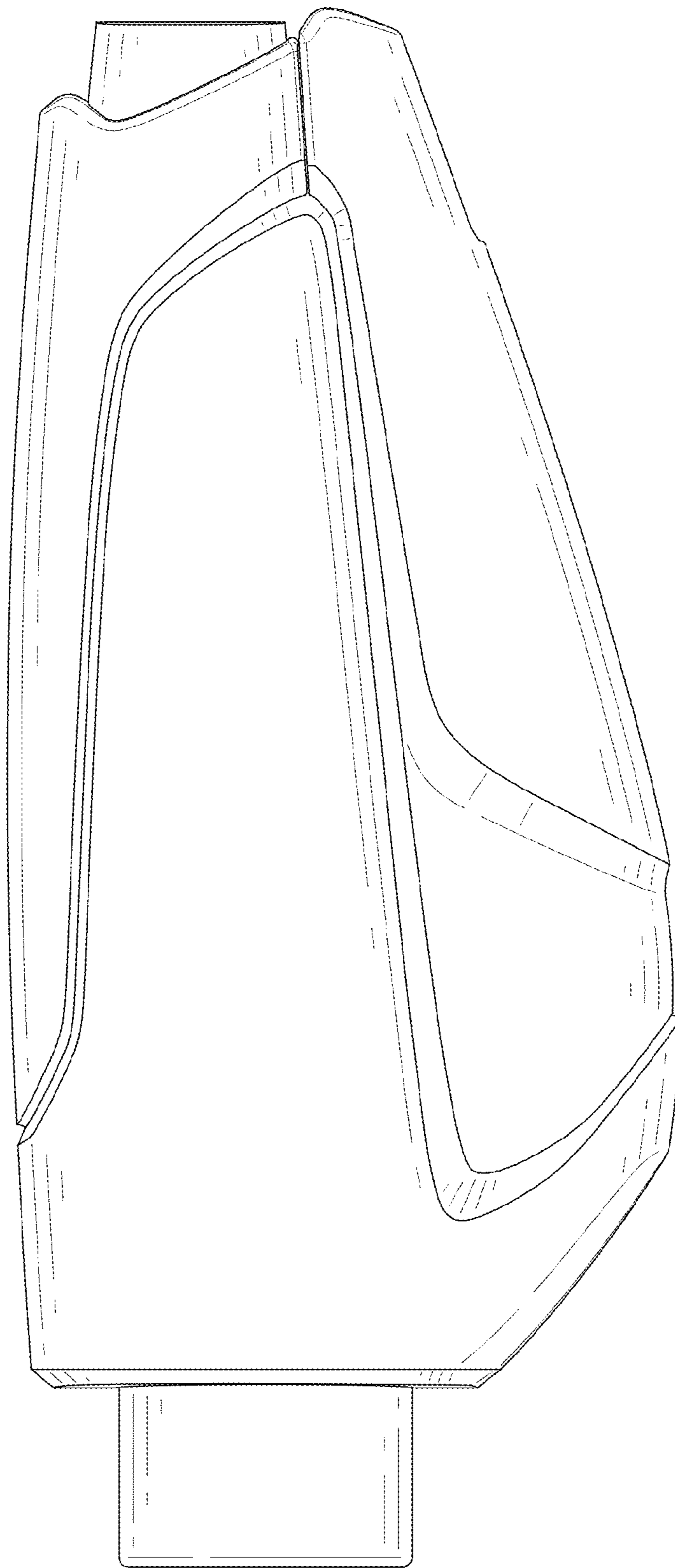


FIG. 3

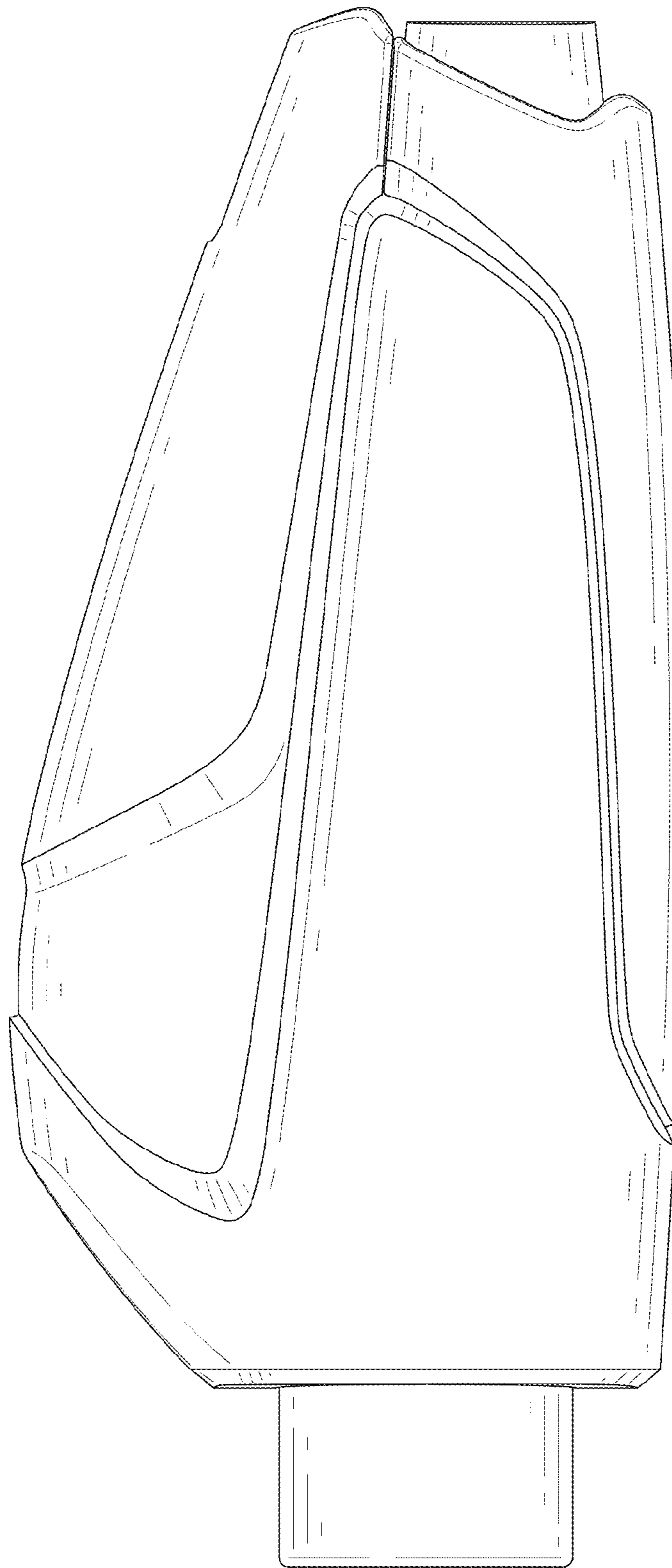


FIG. 4

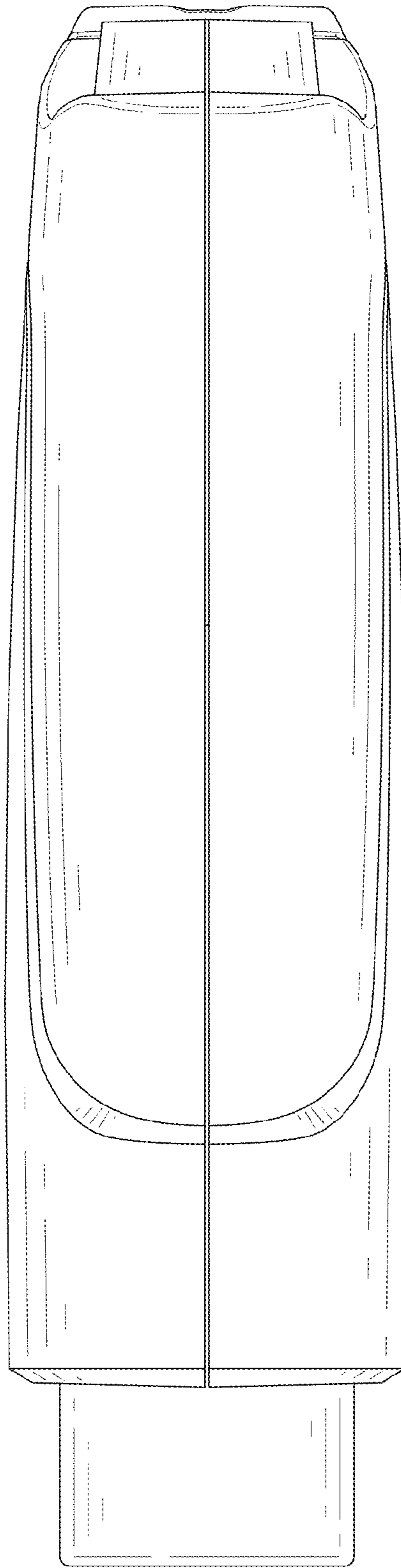


FIG. 5

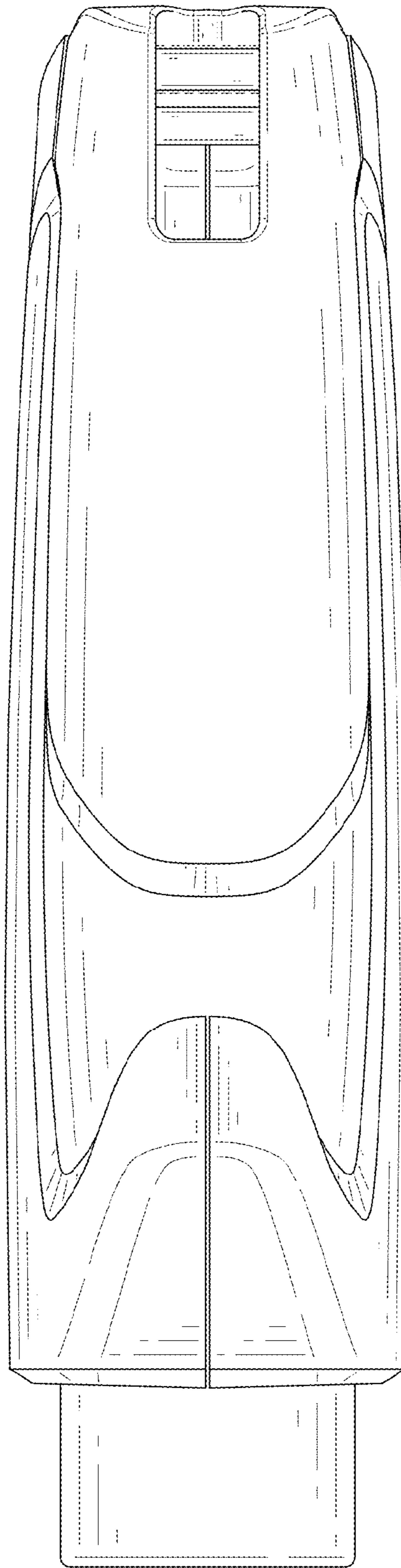


FIG. 6

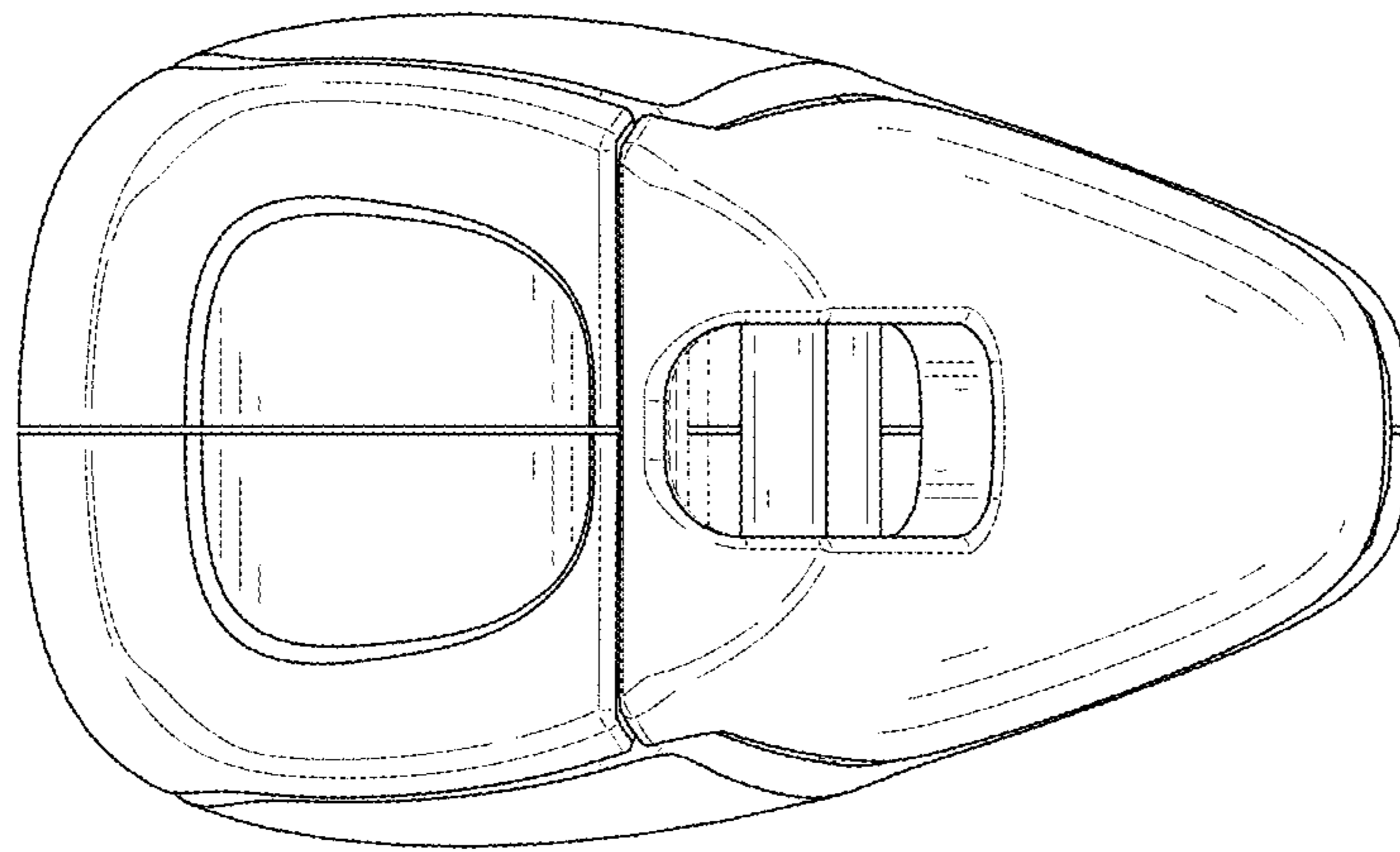


FIG. 7



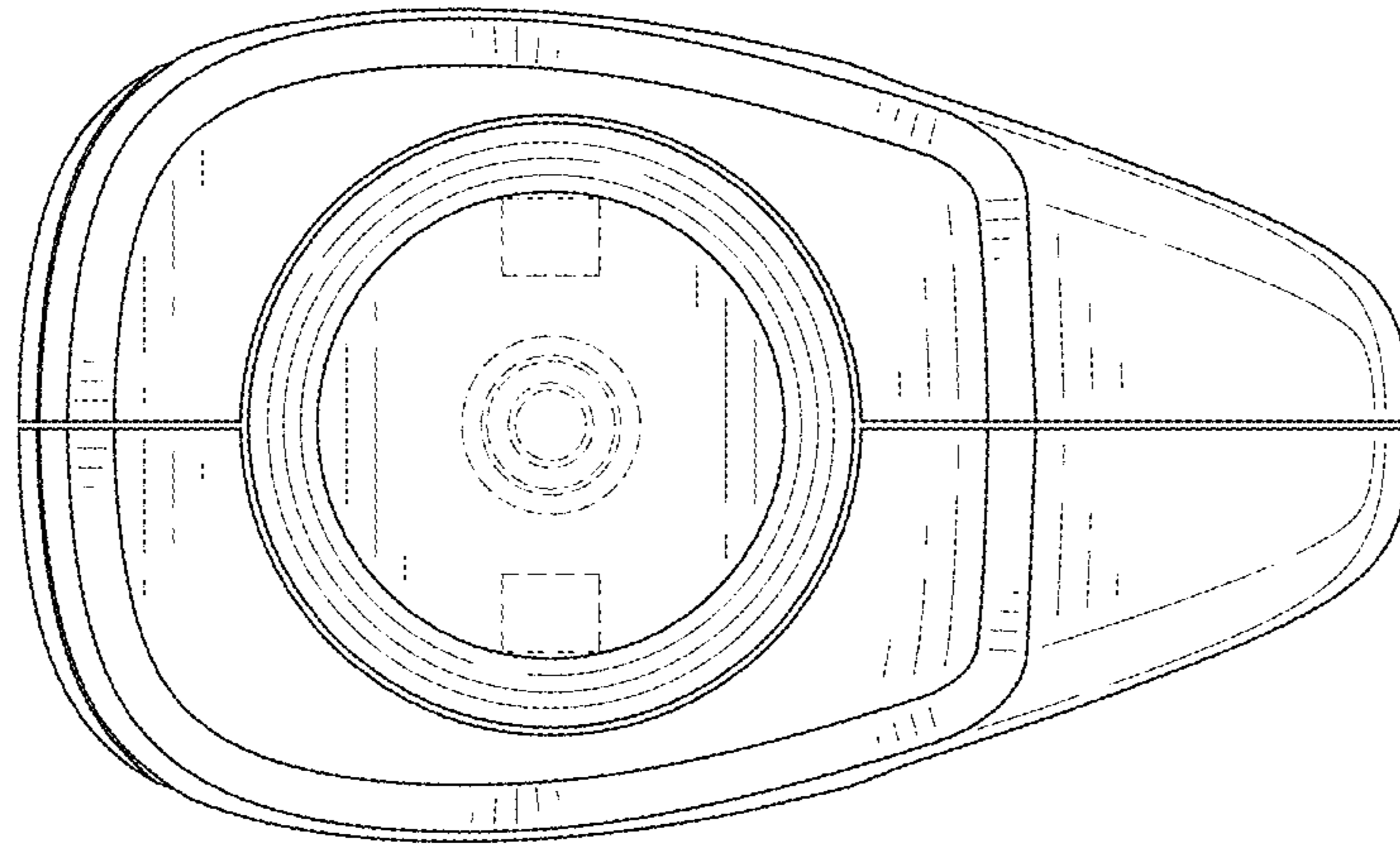


FIG. 8

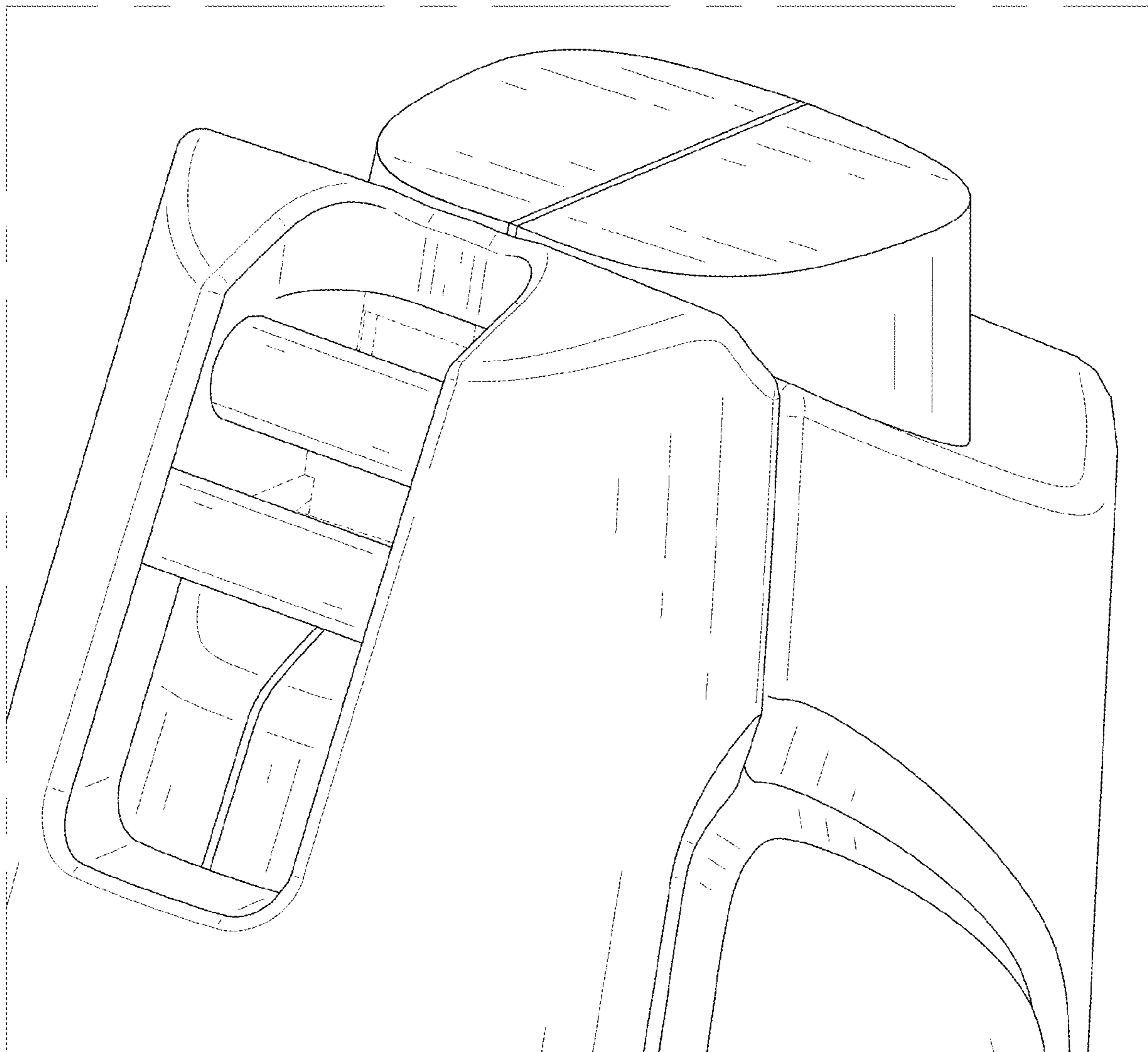


FIG. 9

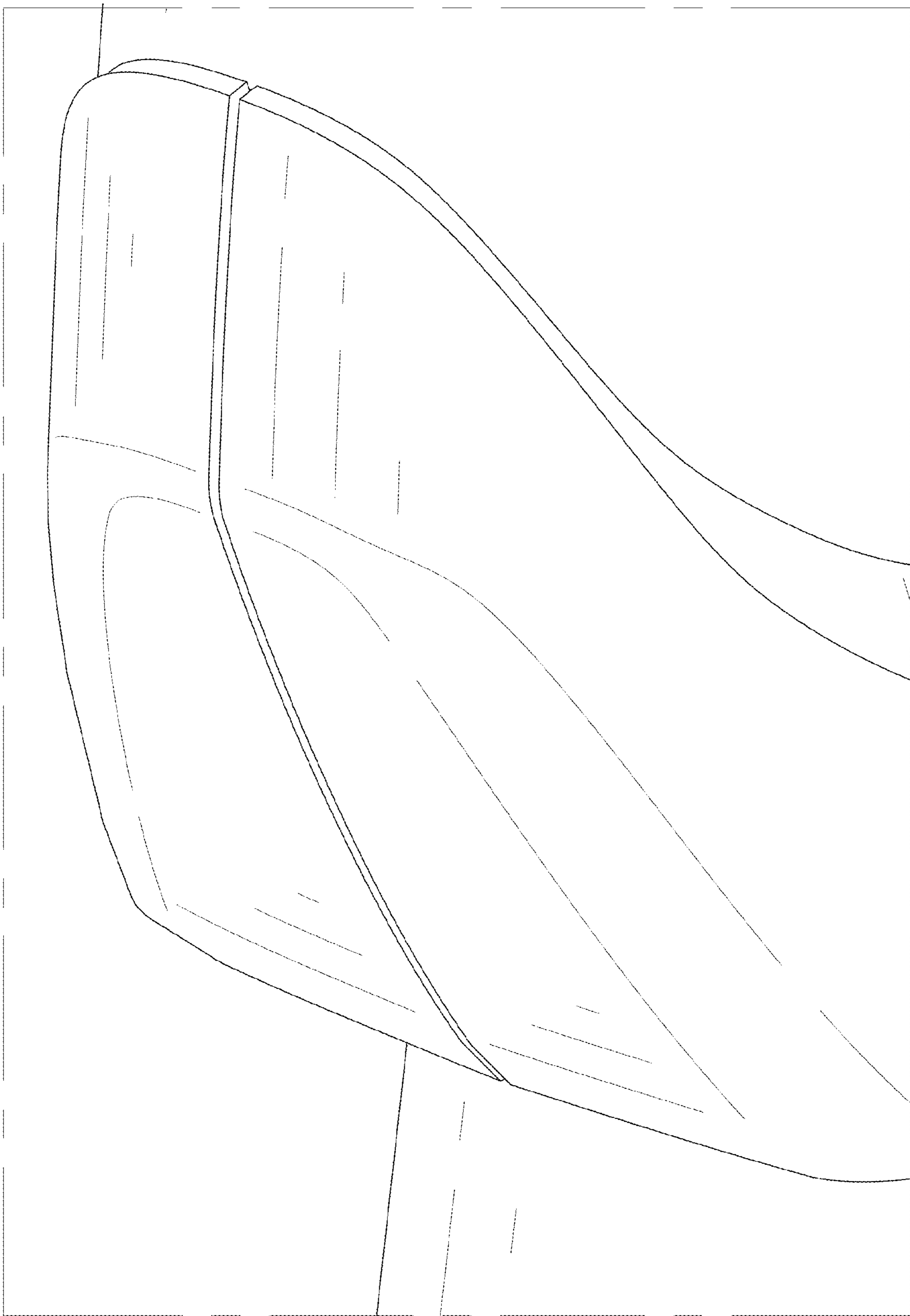


FIG. 10