



US00D878881S

(12) **United States Design Patent**  
**Jastrow**

(10) **Patent No.:** **US D878,881 S**

(45) **Date of Patent:** **\*\* Mar. 24, 2020**

- (54) **YARD DEBRIS SCOOP**
- (71) Applicant: **Robert Jastrow**, North Richland Hills, TX (US)
- (72) Inventor: **Robert Jastrow**, North Richland Hills, TX (US)
- (\*\*) Term: **15 Years**
- (21) Appl. No.: **29/670,136**
- (22) Filed: **Nov. 14, 2018**
- (51) **LOC (12) Cl.** ..... **08-01**
- (52) **U.S. Cl.**  
USPC ..... **D8/10**
- (58) **Field of Classification Search**  
USPC ..... D32/74; D7/691; D34/28, 35; D8/1, D8/10, 107  
CPC ... A47L 12/52; A47L 13/52; E01H 2001/126; E01H 5/02; A01B 1/20; E04D 15/02  
See application file for complete search history.

- D322,543 S \* 12/1991 Jenkins ..... D32/46
- 5,107,666 A 4/1992 Rathican
- 5,205,107 A \* 4/1993 Herink ..... B65B 39/08
- 141/390
- D338,685 S \* 8/1993 Dakich ..... D19/92
- D353,978 S \* 1/1995 Sargeant ..... 294/49
- 5,412,835 A \* 5/1995 Vosbikian ..... A47L 13/52
- 15/144.1
- D364,028 S \* 11/1995 Rouleau ..... D34/28
- 5,522,629 A \* 6/1996 Loo ..... A01B 1/20
- 294/51
- 5,575,315 A 11/1996 Wengert
- 5,673,734 A 10/1997 Hawley
- D394,371 S \* 5/1998 Cousins ..... D7/691
- D405,665 S \* 2/1999 Whitehead ..... D8/10
- 5,951,079 A 9/1999 Winskye
- D422,389 S \* 4/2000 Gay ..... D32/74
- 6,113,168 A \* 9/2000 St. Jeor ..... E01H 5/02
- 294/54.5
- D482,249 S \* 11/2003 Atnip ..... D8/10
- D513,352 S 12/2005 Weathers
- 7,025,397 B2 \* 4/2006 Simone ..... E04D 15/02
- 81/45

(Continued)

*Primary Examiner* — Sheryl Lane

(56) **References Cited**

U.S. PATENT DOCUMENTS

- 543,910 A \* 8/1895 Torr ..... E01H 5/02
- 294/54.5
- 3,345,670 A \* 10/1967 Charie ..... A47L 13/52
- 15/257.1
- 3,833,249 A \* 9/1974 McKinney, II ..... A47L 13/52
- 294/180
- 4,635,843 A \* 1/1987 Tomlinson ..... A47G 21/001
- 229/117.18
- 4,760,982 A \* 8/1988 Cooke ..... B65B 67/1238
- 141/316
- 4,809,390 A \* 3/1989 Jackson ..... A47L 13/52
- 15/257.1
- 4,950,014 A 8/1990 Smith
- 5,056,245 A \* 10/1991 Jenkins ..... E01H 5/02
- 280/767
- D321,631 S \* 11/1991 Shaw ..... D30/162

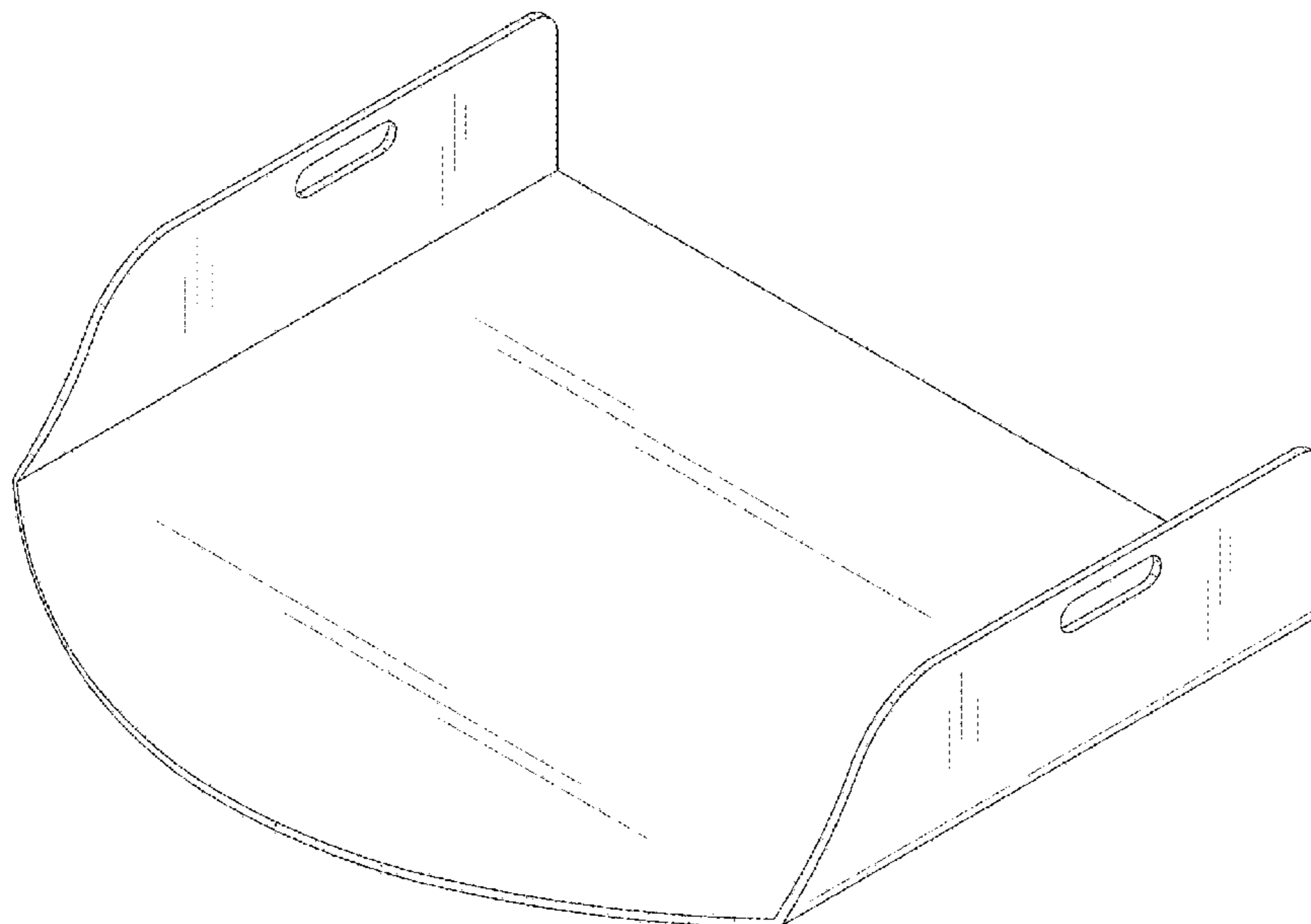
(57) **CLAIM**

The ornamental design for a yard debris scoop, as shown and described.

**DESCRIPTION**

FIG. 1 is a front view of a yard debris scoop showing my new design;  
 FIG. 2 is a rear view of the yard debris scoop;  
 FIG. 3 is a left side view of the yard debris scoop, a right side view being a mirror image thereof;  
 FIG. 4 is a top view of the yard debris scoop;  
 FIG. 5 is a bottom view of the yard debris scoop; and,  
 FIG. 6 is a top front side perspective view of the yard debris scoop.

**1 Claim, 5 Drawing Sheets**



(56)

**References Cited**

U.S. PATENT DOCUMENTS

D519,794 S *	5/2006	Roberts .....	D8/10
D543,426 S *	5/2007	Donaldson .....	D8/10
D563,182 S *	3/2008	Kopp .....	D8/10
D590,672 S *	4/2009	Greening .....	D8/10
D643,699 S *	8/2011	Davis .....	D8/10
D677,849 S *	3/2013	Petersen .....	D32/74
D707,506 S *	6/2014	Masalin .....	D8/10
D718,993 S *	12/2014	Mak .....	D8/10
D738,171 S *	9/2015	Masalin .....	D8/10
D749,922 S *	2/2016	Masalin .....	D8/10
D760,988 S *	7/2016	Gieson .....	D32/74
D807,608 S *	1/2018	Katz .....	D34/28
D827,395 S *	9/2018	Shymkus .....	D7/691

\* cited by examiner

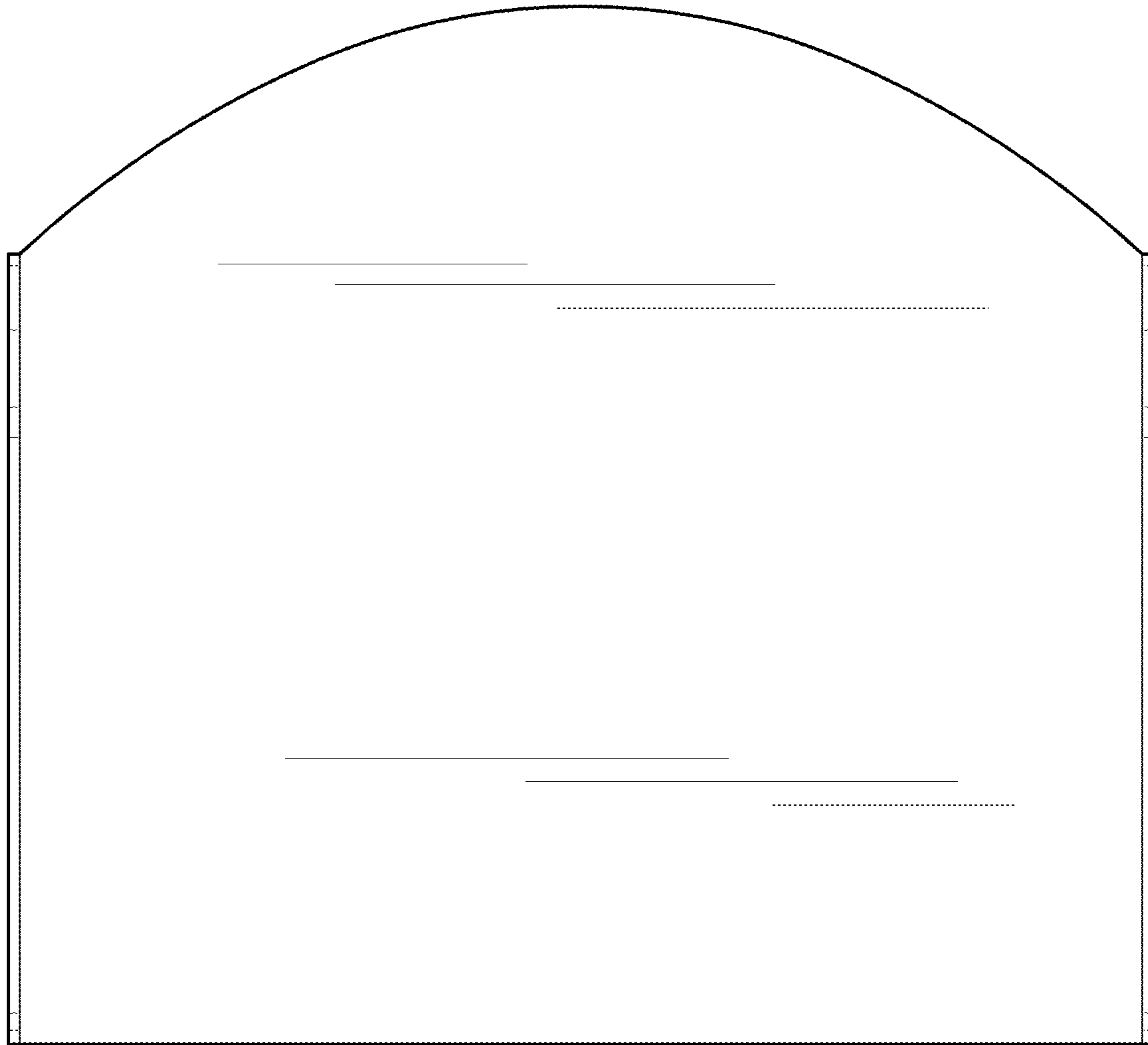


FIG. 1

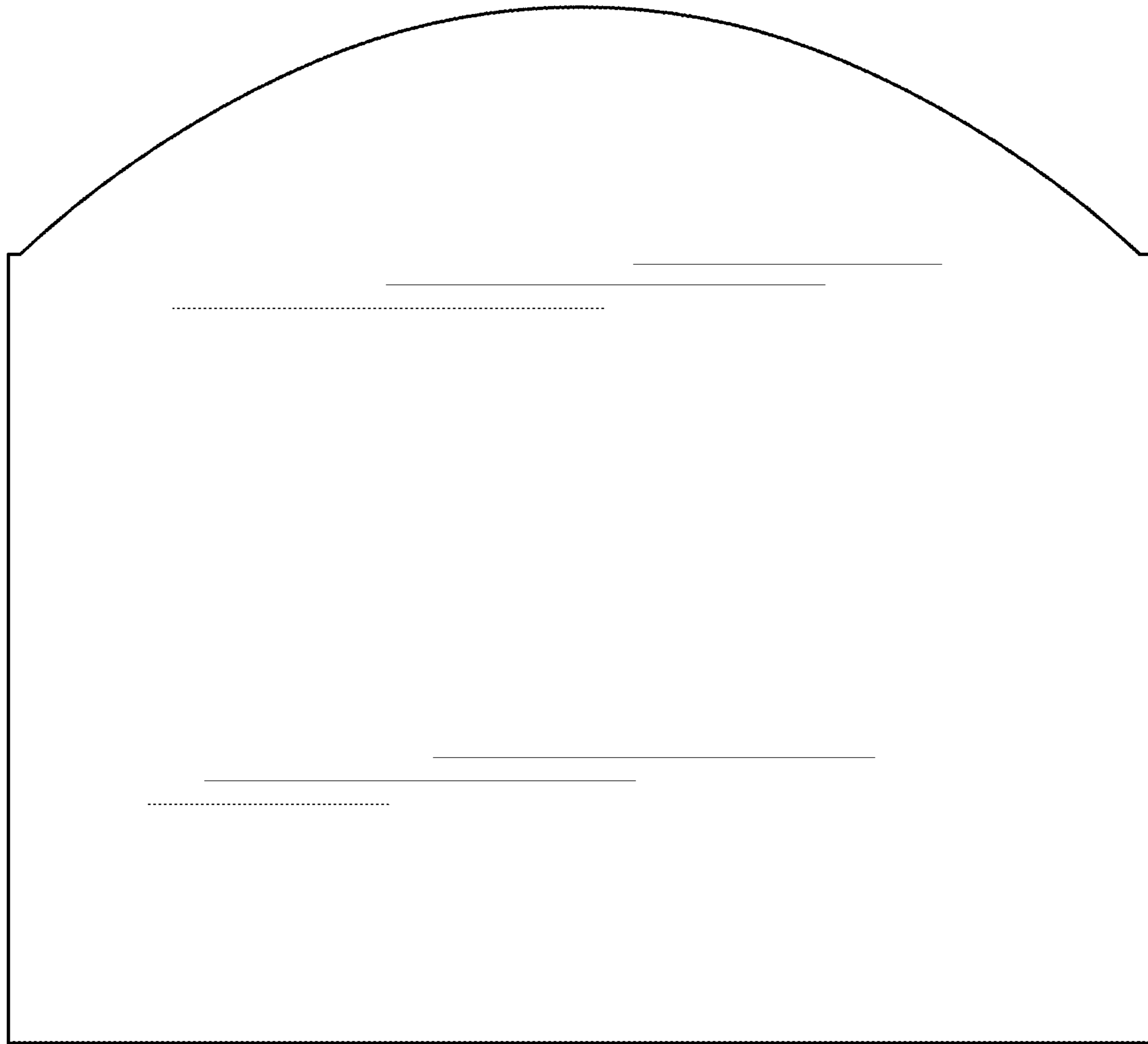


FIG. 2

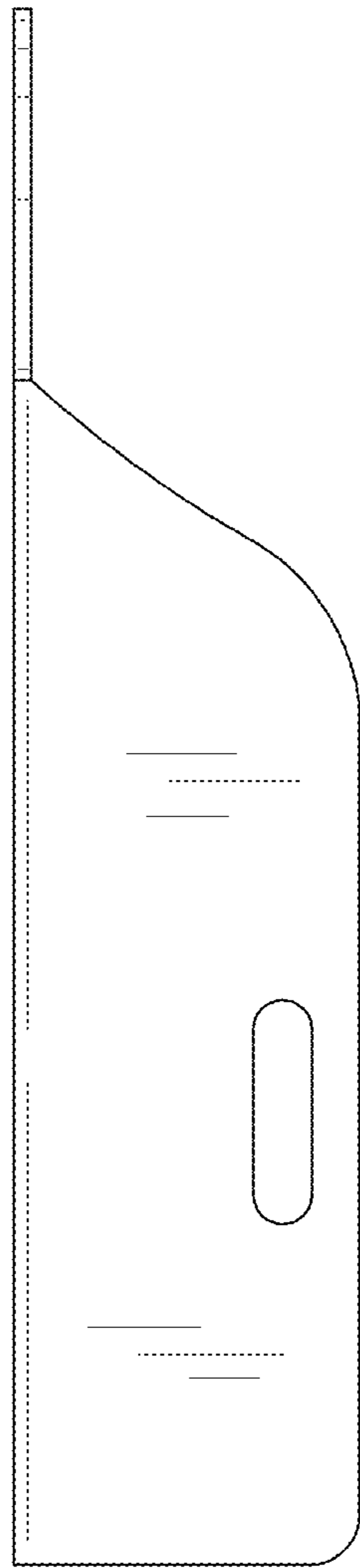


FIG. 3

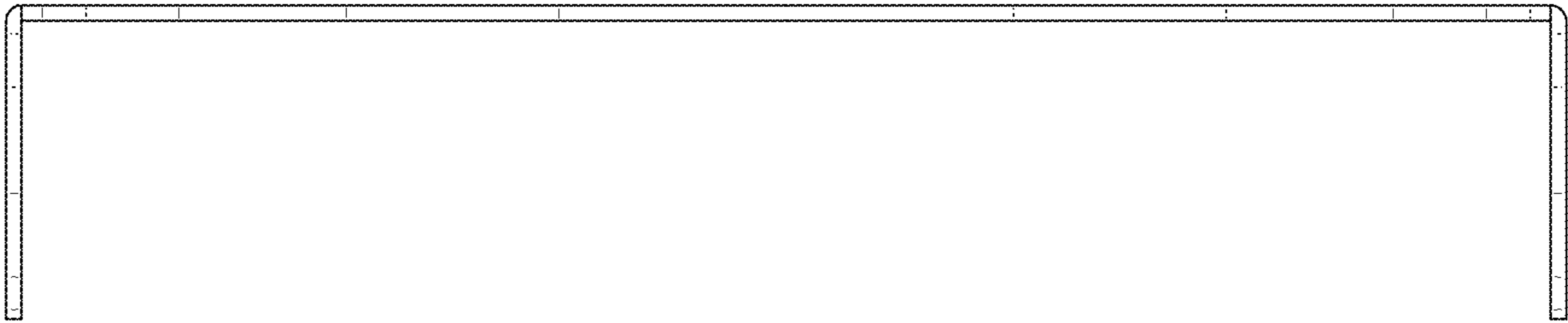


FIG. 4



FIG. 5

