



US00D878879S

(12) **United States Design Patent**  
**Blacketter**

(10) **Patent No.:** **US D878,879 S**  
(45) **Date of Patent:** **\*\* Mar. 24, 2020**

- (54) **VEGETABLE GROWING CAGE**
- (71) Applicant: **John S. Blacketter**, Moses Lake, WA  
(US)
- (72) Inventor: **John S. Blacketter**, Moses Lake, WA  
(US)
- (73) Assignee: **John Blacketter**, Moses Lake, WA  
(US)
- (\*\*) Term: **15 Years**
- (21) Appl. No.: **29/664,107**
- (22) Filed: **Sep. 21, 2018**
- (51) **LOC (12) Cl.** ..... **08-01**
- (52) **U.S. Cl.**  
USPC ..... **D8/1**
- (58) **Field of Classification Search**  
USPC ..... D8/1; D6/405, 403; D25/100; D11/143  
CPC ..... A01G 9/12; A01G 9/124  
See application file for complete search history.

- 5,423,148 A \* 6/1995 Thornhill ..... A01G 9/12  
47/29.1
- D359,929 S \* 7/1995 Thornhill ..... 47/29.1
- 5,595,019 A \* 1/1997 Foreman ..... A01G 9/12  
47/45
- 6,088,956 A \* 7/2000 Rocka ..... A01G 9/12  
211/201
- D438,986 S \* 3/2001 Rehmert ..... D25/100
- 6,349,502 B1 \* 2/2002 Fernandez ..... A01G 9/12  
47/45
- 7,043,876 B2 \* 5/2006 LaPelusa ..... A01G 9/12  
47/47
- D568,061 S \* 5/2008 Kurtz ..... D6/405
- D604,528 S \* 11/2009 Hiatt ..... D6/405
- D615,375 S \* 5/2010 Haddock ..... D8/1
- D624,330 S \* 9/2010 Wing ..... D6/405
- D682,639 S \* 5/2013 Dray ..... D8/1
- D694,854 S \* 12/2013 Gentry ..... D23/214
- 8,813,422 B1 \* 8/2014 Laudenklos ..... A01G 9/12  
47/44
- 9,167,755 B1 \* 10/2015 Kampman ..... A01G 9/12

(Continued)

*Primary Examiner* — Sheryl Lane  
(74) *Attorney, Agent, or Firm* — Clark A. Puntigam;  
Jensen & Puntigam, P.S.

(56) **References Cited**

**U.S. PATENT DOCUMENTS**

- 897,006 A \* 8/1908 Muller ..... A01G 9/12  
47/47
- 1,051,390 A \* 1/1913 Comstock ..... A01G 9/12  
47/47
- 2,009,867 A \* 7/1935 Ball ..... A01G 9/12  
47/44
- 3,299,569 A \* 1/1967 Lemrick ..... A01G 9/12  
47/45
- 3,481,075 A \* 12/1969 Dastoli ..... B65D 5/5059  
47/41.01
- 4,026,068 A \* 5/1977 Tepper ..... A01G 9/12  
47/45
- 5,048,231 A \* 9/1991 Brown ..... A01G 9/12  
47/45
- 5,179,799 A \* 1/1993 Hillestad ..... A01G 9/12  
47/45

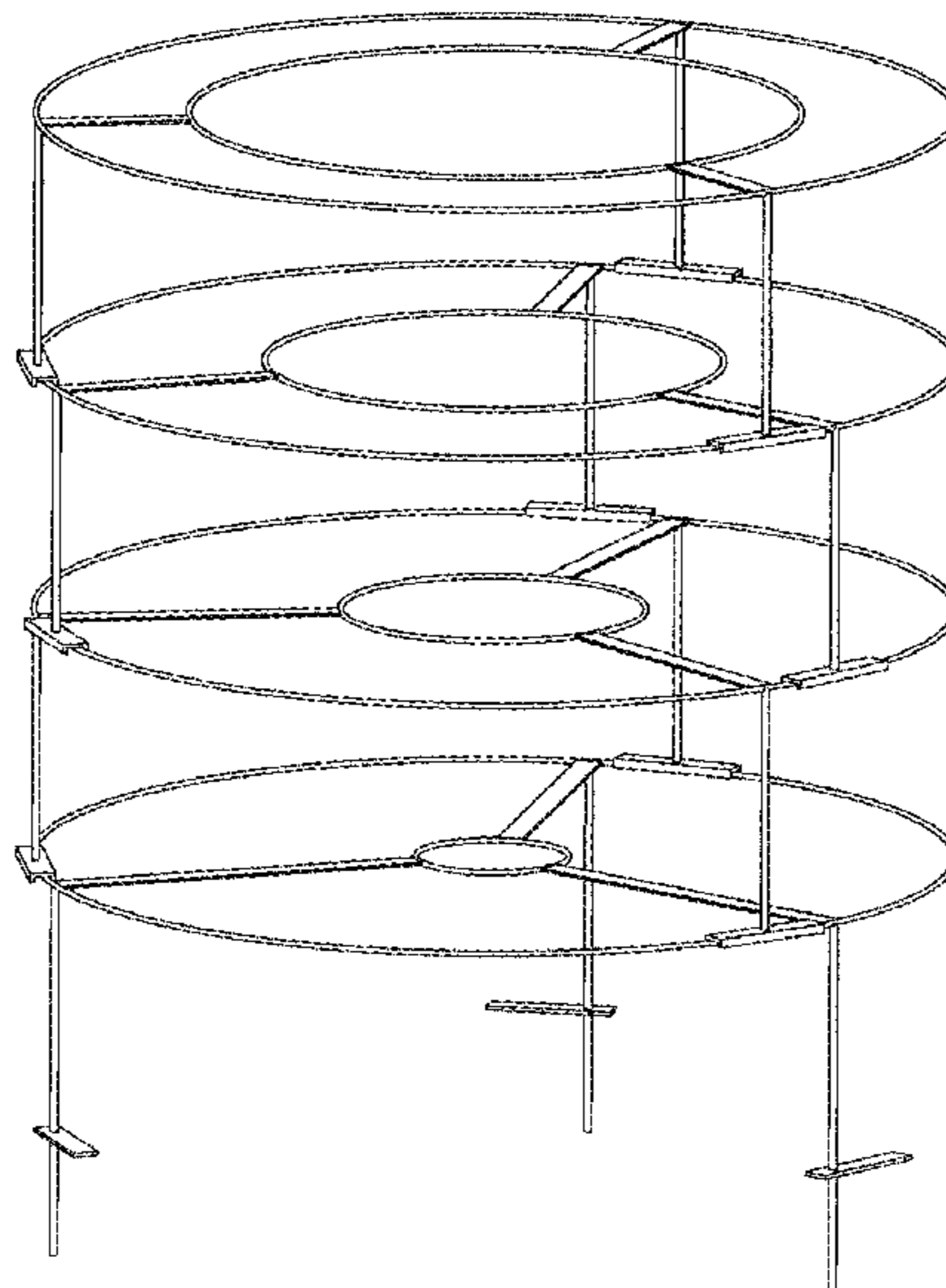
(57) **CLAIM**

The ornamental design for a vegetable growing cage, as shown and described.

**DESCRIPTION**

FIG. 1 is a perspective view of the vegetable growing cage showing my new design.  
FIG. 2 is a top view thereof.  
FIG. 3 is a bottom view thereof.  
FIG. 4 is a front view thereof.  
FIG. 5 is a back view thereof.  
FIG. 6 is a left side view thereof; and,  
FIG. 7 is a right side view thereof.

**1 Claim, 7 Drawing Sheets**



(56)

**References Cited**

U.S. PATENT DOCUMENTS

2003/0033750	A1 *	2/2003	Gunderman .....	A01G 9/12 47/45
2006/0042159	A1 *	3/2006	LaPelusa .....	A01G 9/12 47/45
2011/0232176	A1 *	9/2011	Davis .....	A01G 9/12 47/44
2012/0055083	A1 *	3/2012	Marquez .....	A01G 9/12 47/45
2013/0145686	A1 *	6/2013	Dame .....	A01G 9/12 47/45
2015/0059241	A1 *	3/2015	Montagano .....	A01G 9/124 47/44
2015/0223412	A1 *	8/2015	Vanderwall-Arnold .....	A01G 9/12 47/45
2016/0135385	A1 *	5/2016	Wang .....	A01G 9/12 47/44
2018/0007843	A1 *	1/2018	Fakhari .....	A01G 9/12
2018/0220606	A1 *	8/2018	Daniel .....	A01G 9/12

\* cited by examiner

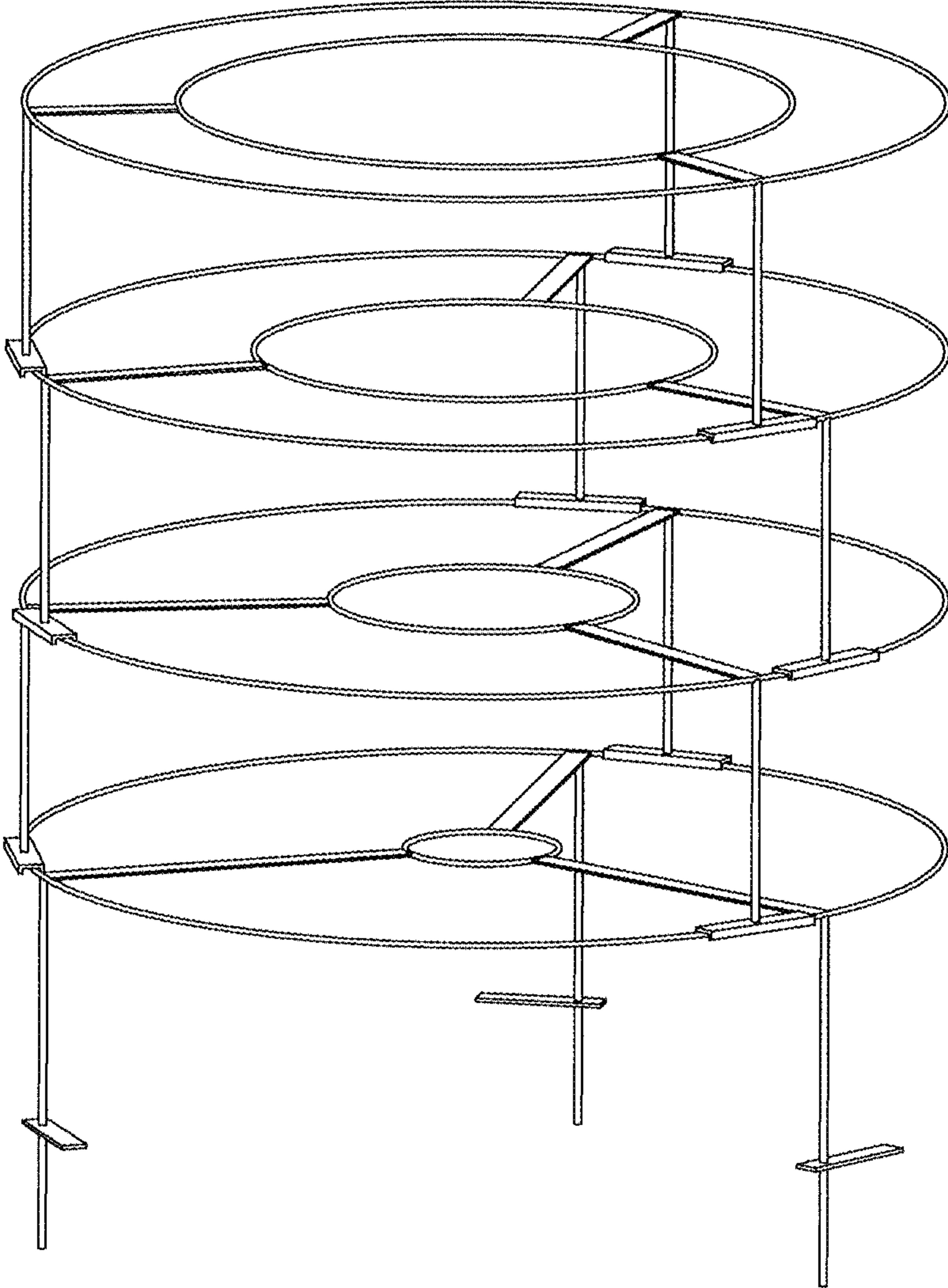


FIG. 1

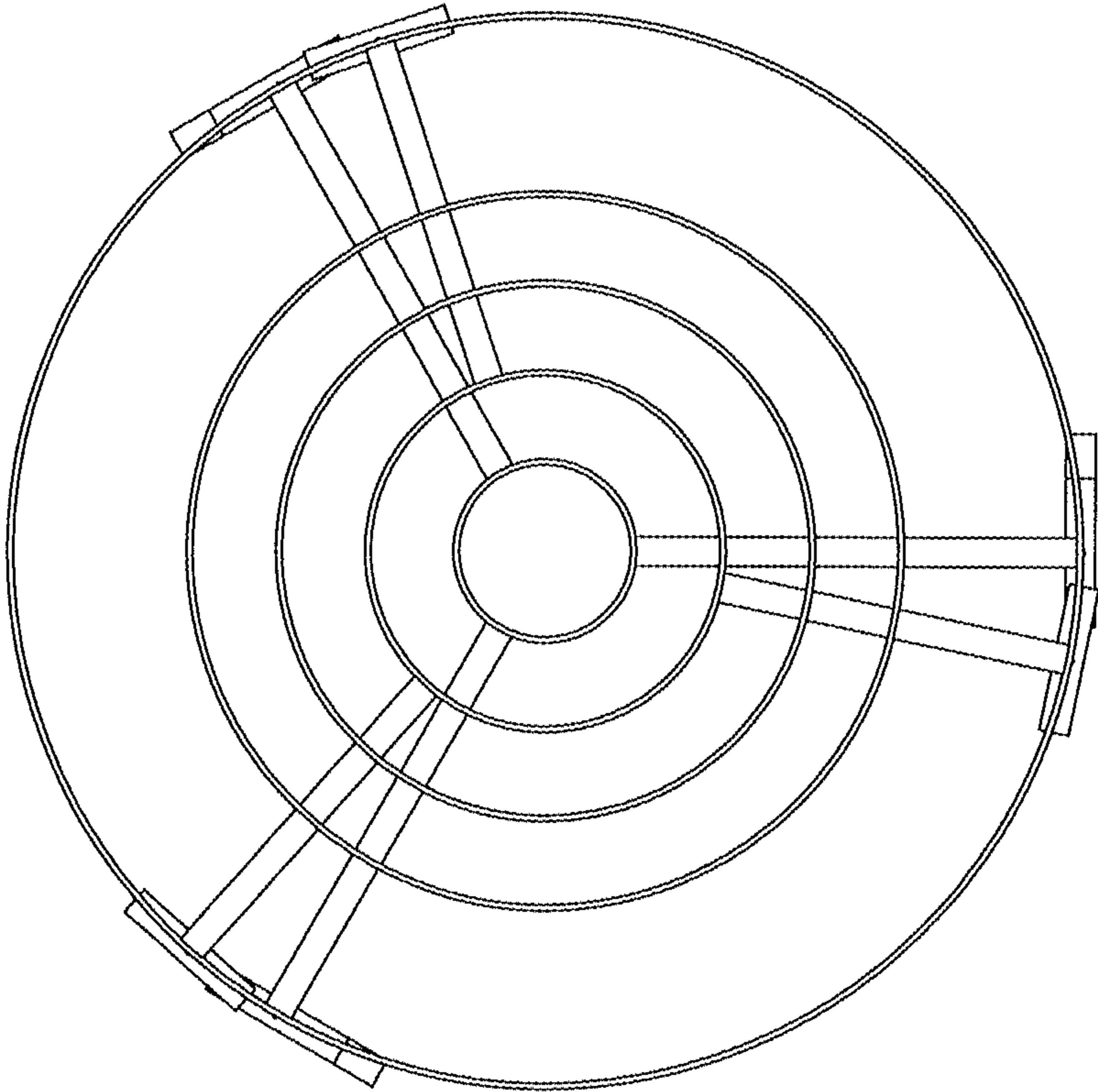


FIG. 2

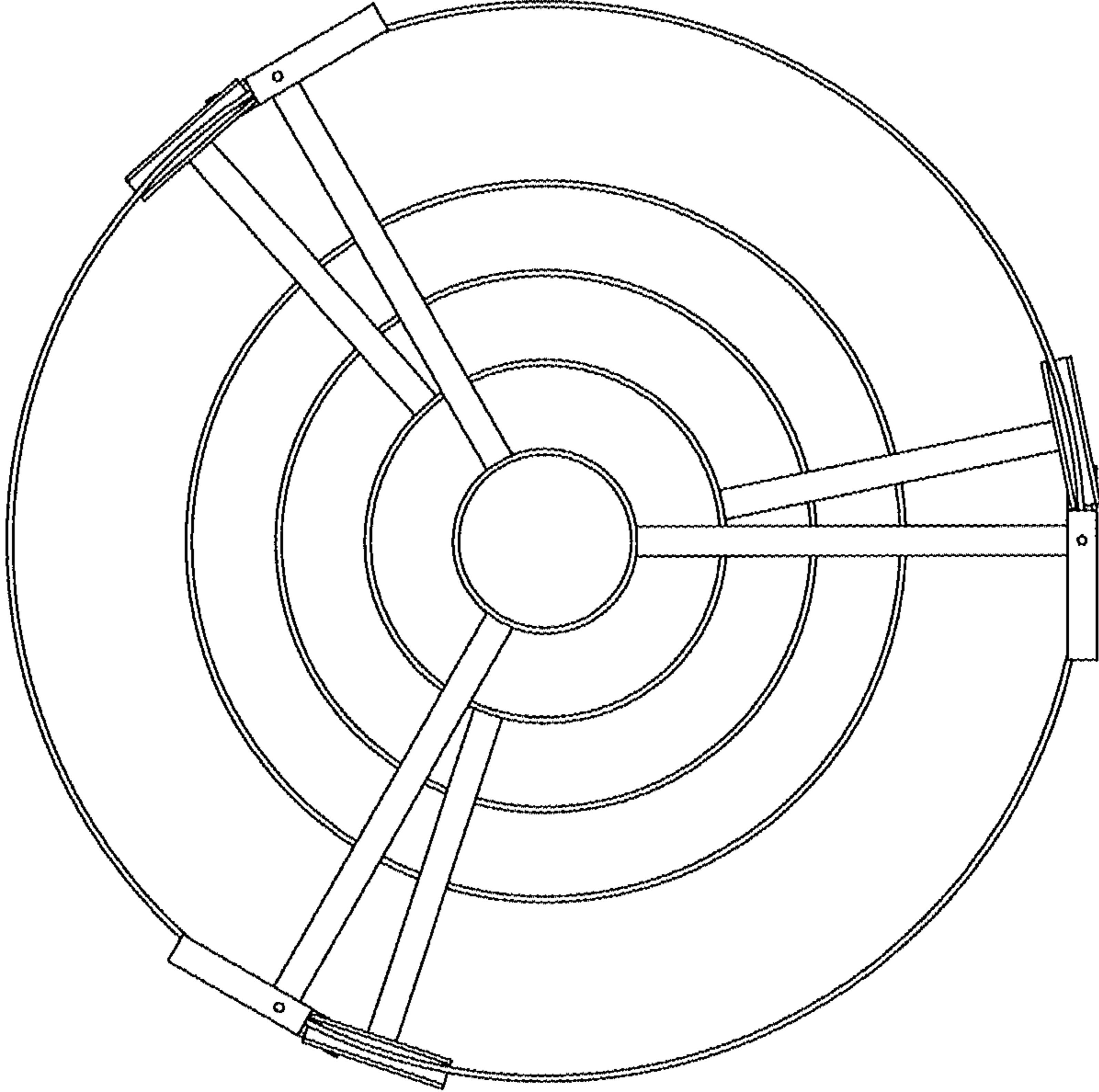


FIG. 3



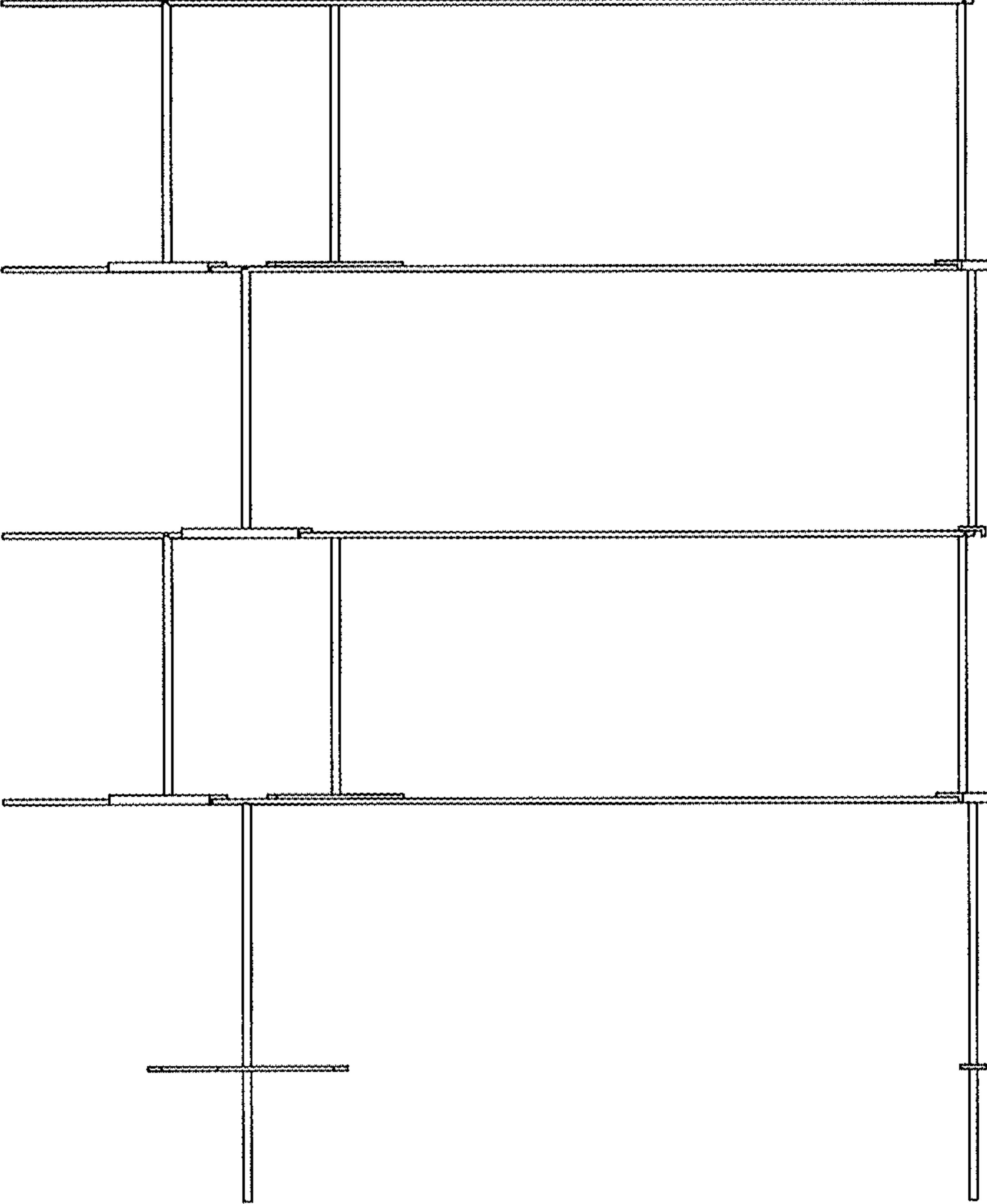


FIG. 4

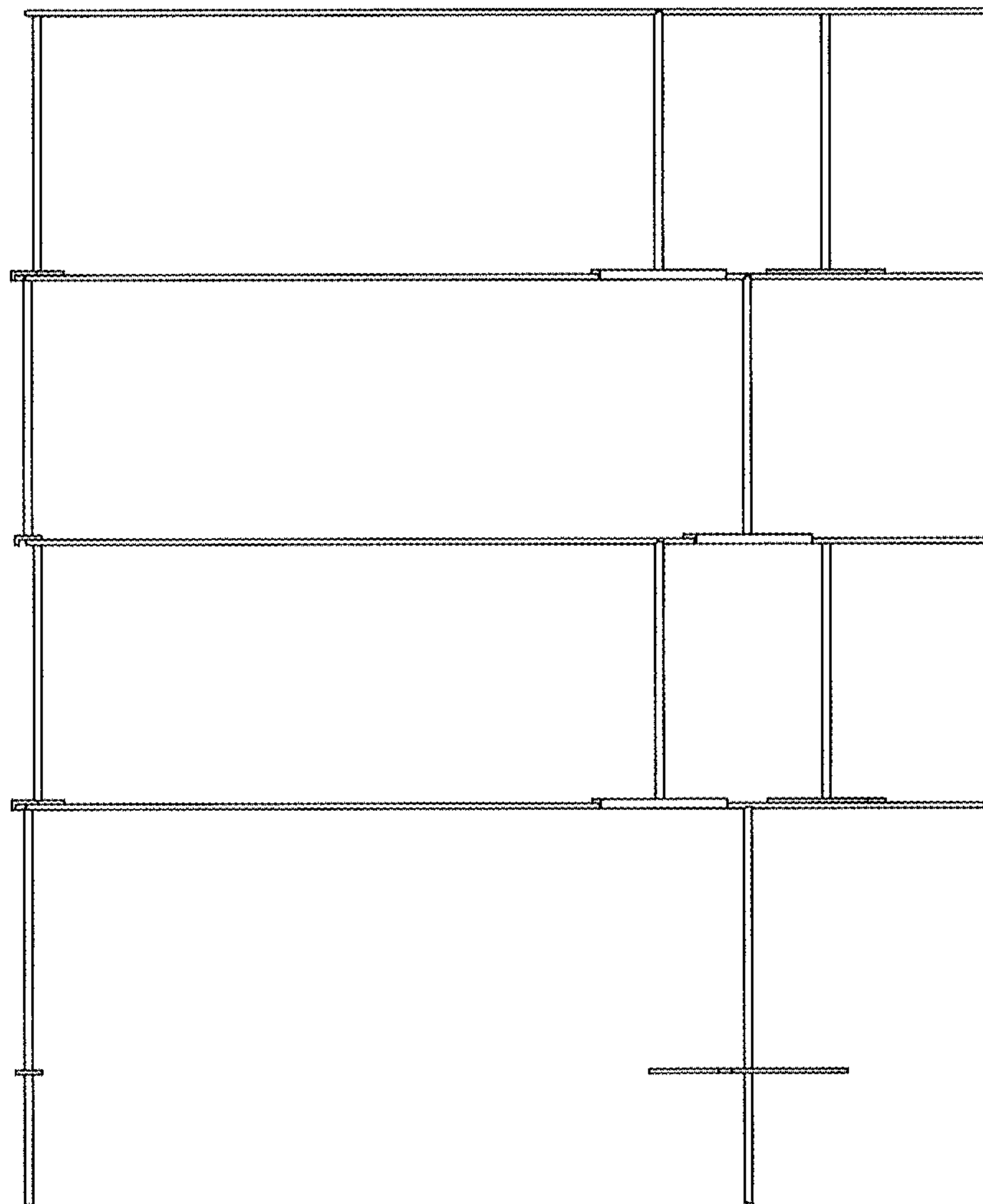


FIG. 5

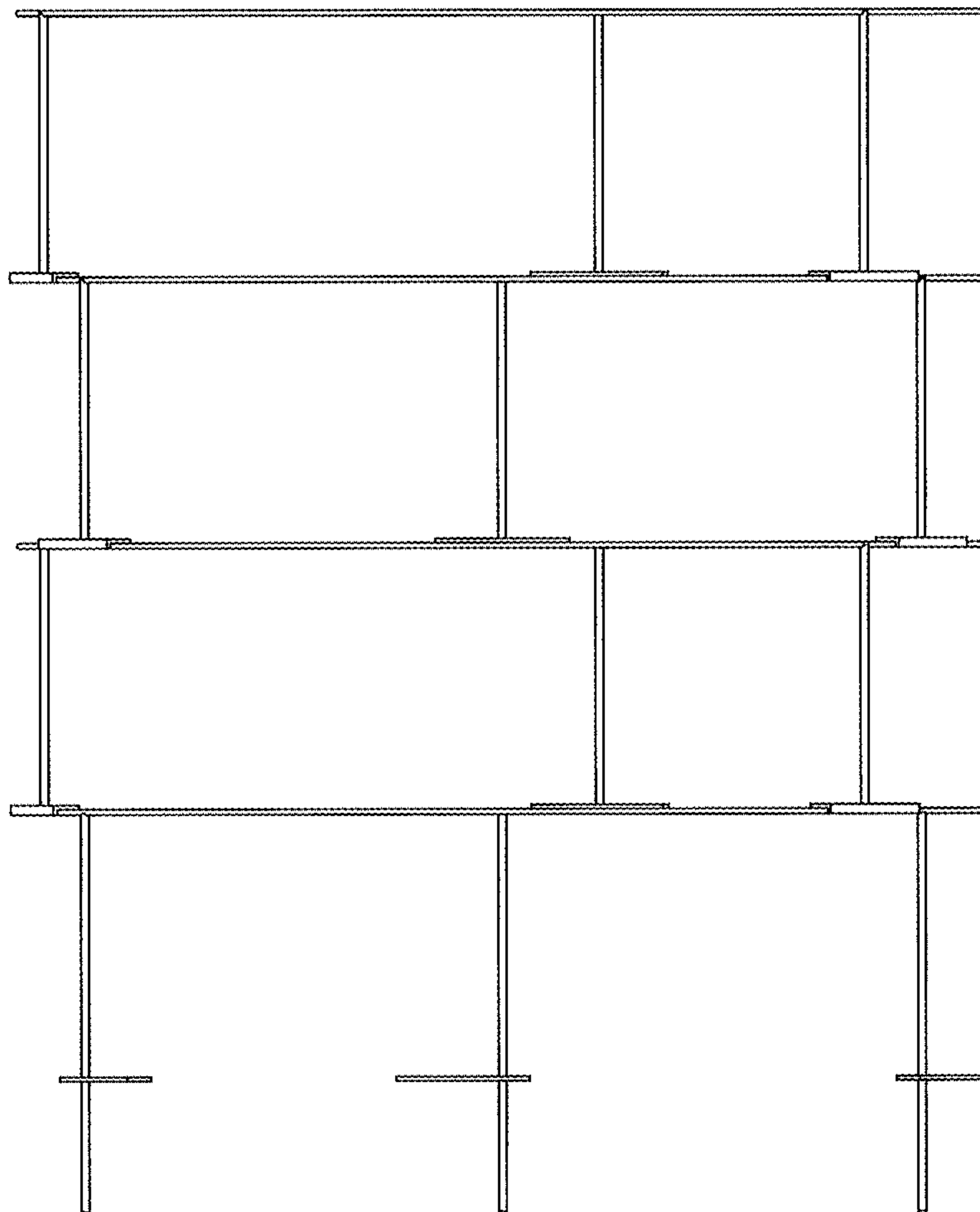


FIG. 6



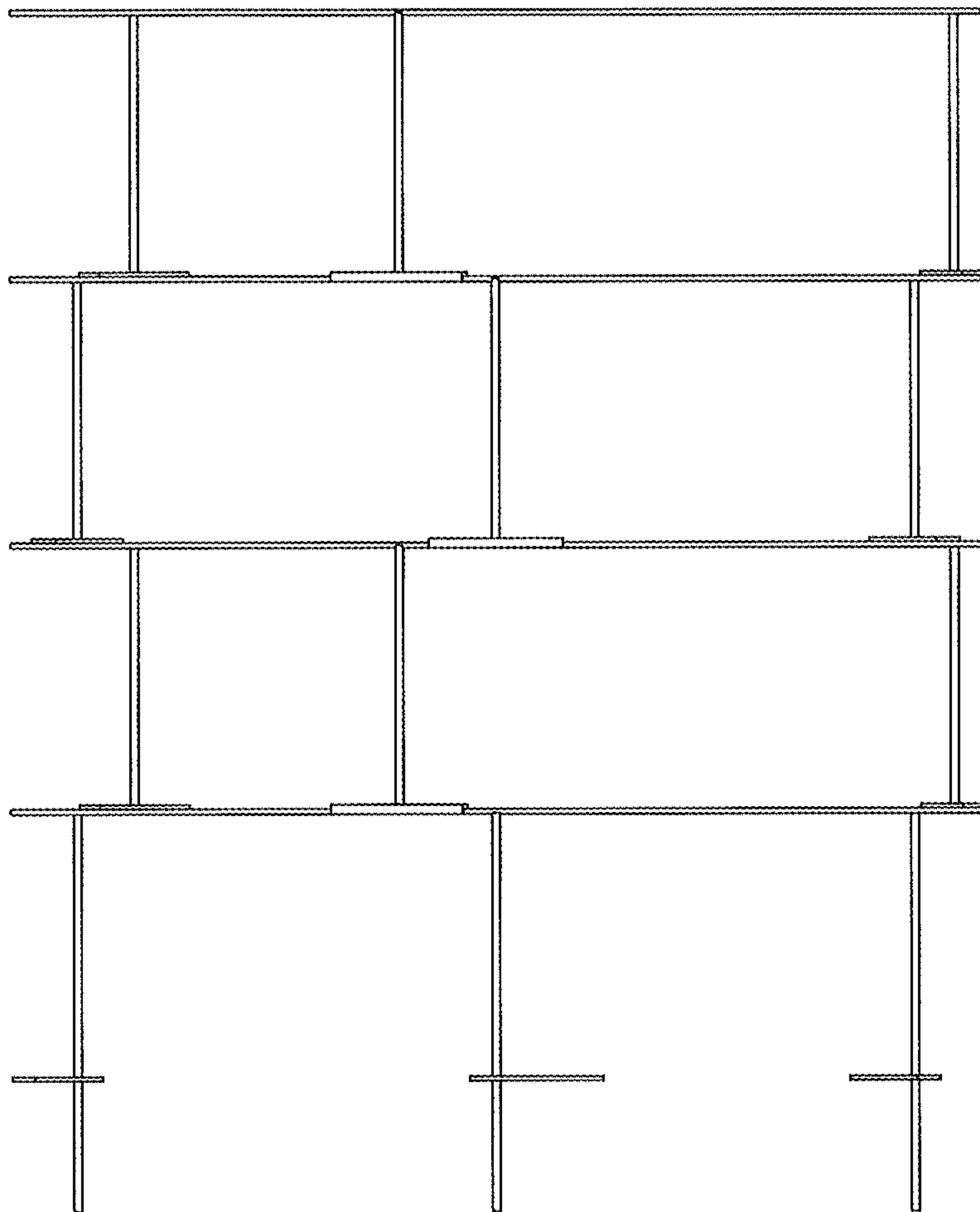


FIG. 7