



US00D878877S

(12) **United States Design Patent** (10) **Patent No.:** **US D878,877 S**
Alvarez et al. (45) **Date of Patent:** **** Mar. 24, 2020**

(54) **MEAT INJECTOR** 5,408,919 A * 4/1995 Hutzler A47J 37/106
222/79
(71) Applicant: **Vi-Enterprises, LLC**, Huntsville, AL 5,638,872 A 6/1997 Porter
(US) D414,383 S * 9/1999 Fitzgibbons D7/669
6,457,400 B1 * 10/2002 Hutzler A23B 4/28
141/26
(72) Inventors: **Michael J. Alvarez**, Huntsville, AL 6,578,470 B2 6/2003 Backus et al.
(US); **Steve A. Hatfield**, Huntsville, AL 6,782,803 B2 * 8/2004 Hutzler A23B 4/28
(US) 141/26
D513,924 S * 1/2006 Benedict D32/18
(73) Assignee: **Venturi, LLC**, Huntsville, AL (US) 2006/0188623 A1 8/2006 Houtz et al.
2010/0105307 A1 4/2010 Zimmerman
(**) Term: **15 Years** (Continued)

(21) Appl. No.: **29/664,599**

FOREIGN PATENT DOCUMENTS

(22) Filed: **Sep. 26, 2018**

FR 1282031 12/1960

(51) **LOC (12) Cl.** **31-00**

OTHER PUBLICATIONS

(52) **U.S. Cl.**

USPC **D7/669**

Spitjack; "Commercial Brine Pump and Meat Injection System";
retrieved Dec. 26, 2013 from <http://spitjack.com/product>.

(58) **Field of Classification Search**

USPC D7/368, 669, 412; D24/111-115;
D8/61, 68, 29.2, 30

CPC A47J 37/106; A47J 43/16; A23B 4/28;
A23L 13/72; A22C 9/001; A22C 9/008;
A22C 9/00; A22C 17/0053

See application file for complete search history.

(Continued)

Primary Examiner — Terry A Wallace
(74) *Attorney, Agent, or Firm* — Angela Holt; Bradley
Arant Boult Cummings LLP

(56) **References Cited**

(57) **CLAIM**

U.S. PATENT DOCUMENTS

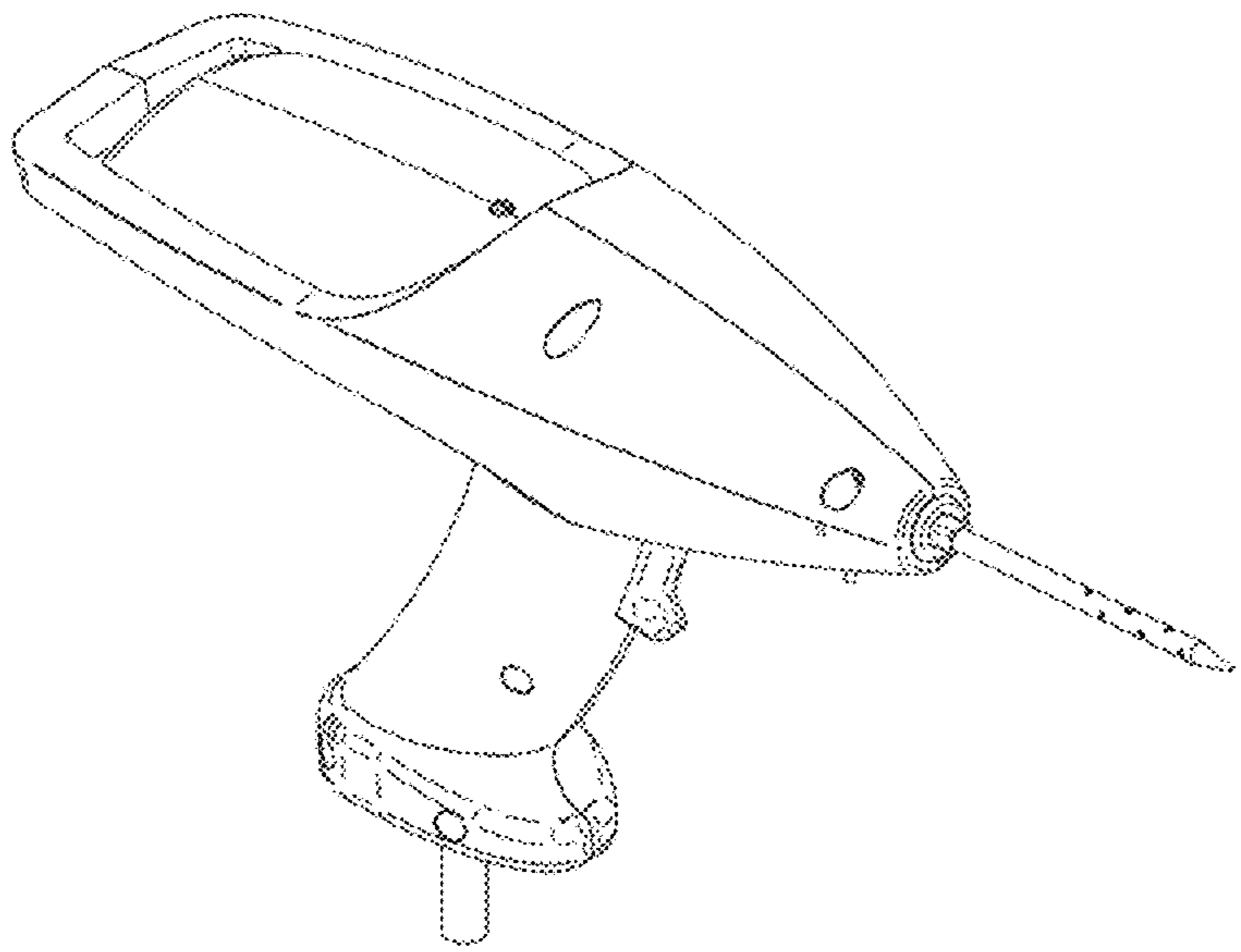
The ornamental design for a meat injector, as shown and
described.

- 1,124,851 A 1/1915 Burkle
- 3,344,731 A 10/1967 Trees
- 3,718,083 A 2/1973 Walters
- 3,734,001 A 5/1973 Poster
- 3,754,469 A * 8/1973 Gasior A22C 17/0053
99/532
- 3,916,777 A 11/1975 Earl
- 3,955,490 A 5/1976 North
- 4,211,160 A * 7/1980 Bieser A23B 4/28
222/362
- 4,254,700 A * 3/1981 Fleming A22C 9/001
99/532
- 4,411,047 A 10/1983 Norton

DESCRIPTION

FIG. 1 is a front perspective view of a meat injector.
FIG. 2 is a right side view of the meat injector.
FIG. 3 is a left side view of the meat injector.
FIG. 4 is a rear view of the meat injector.
FIG. 5 is a front view of the meat injector.
FIG. 6 is a bottom view of the meat injector; and,
FIG. 7 is a top view of the meat injector.

1 Claim, 3 Drawing Sheets



(56)

References Cited

U.S. PATENT DOCUMENTS

2011/0297014 A1 12/2011 Patel
2012/0270485 A1 10/2012 Doyle

OTHER PUBLICATIONS

BBQ Injector; “NoCents 1 gallon Pump / power injector Deluxe”;
retrieved Dec. 26, 2013 from <http://www.bbqinjector.com/cart.html>.
Walmart; “Bulk Buys Basting Gun with injector—Pack of 6”;
retrieved Dec. 19, 2013 from <http://www.walmart.com>.
The Pork Injector; “Stop Soaking; Start Injecting”; retrieved Dec.
26, 2013 from <http://www.porkinjector.com>.
Polyscience; “The Smoking Gun Handheld Food Smoker” manual.

* cited by examiner

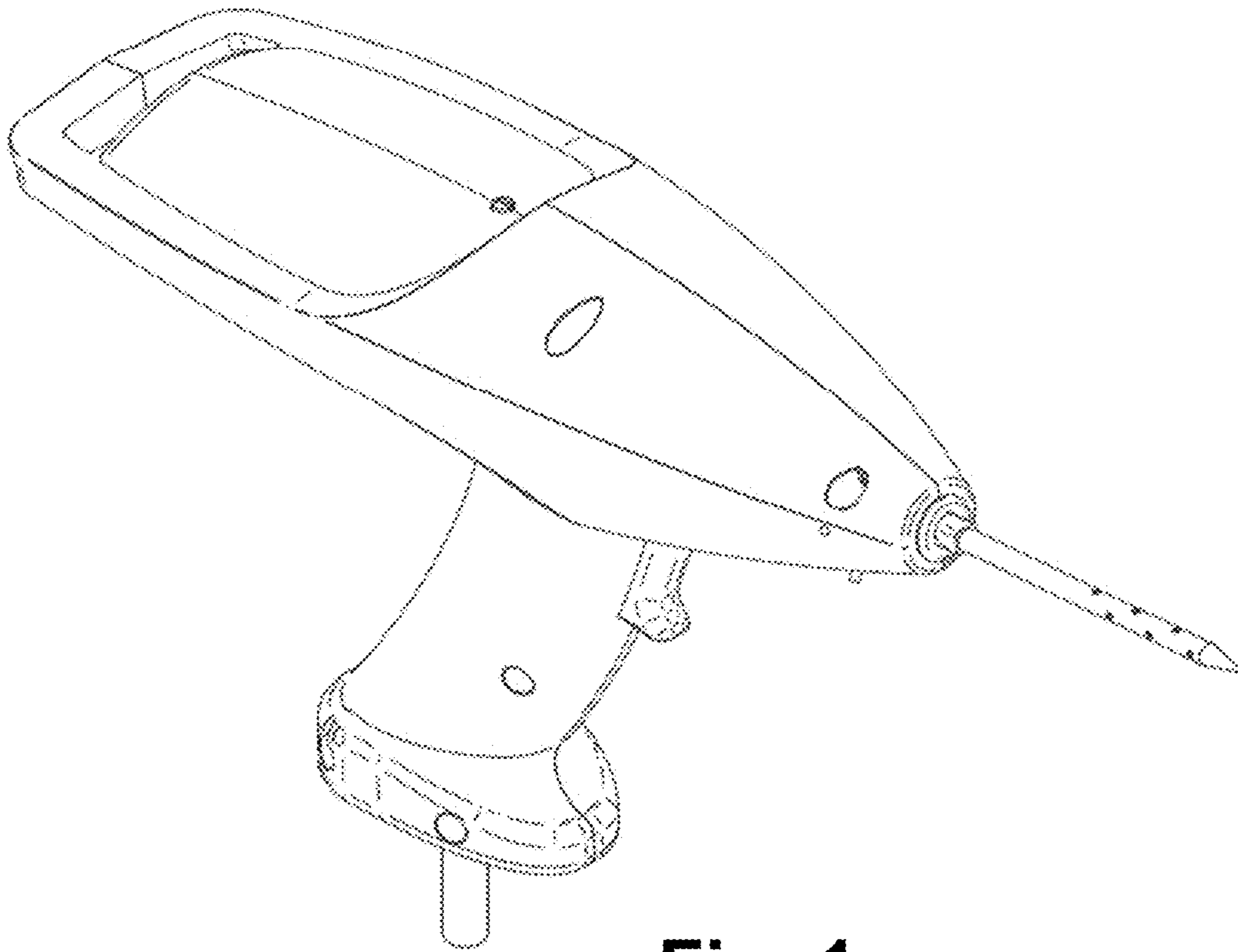


Fig. 1

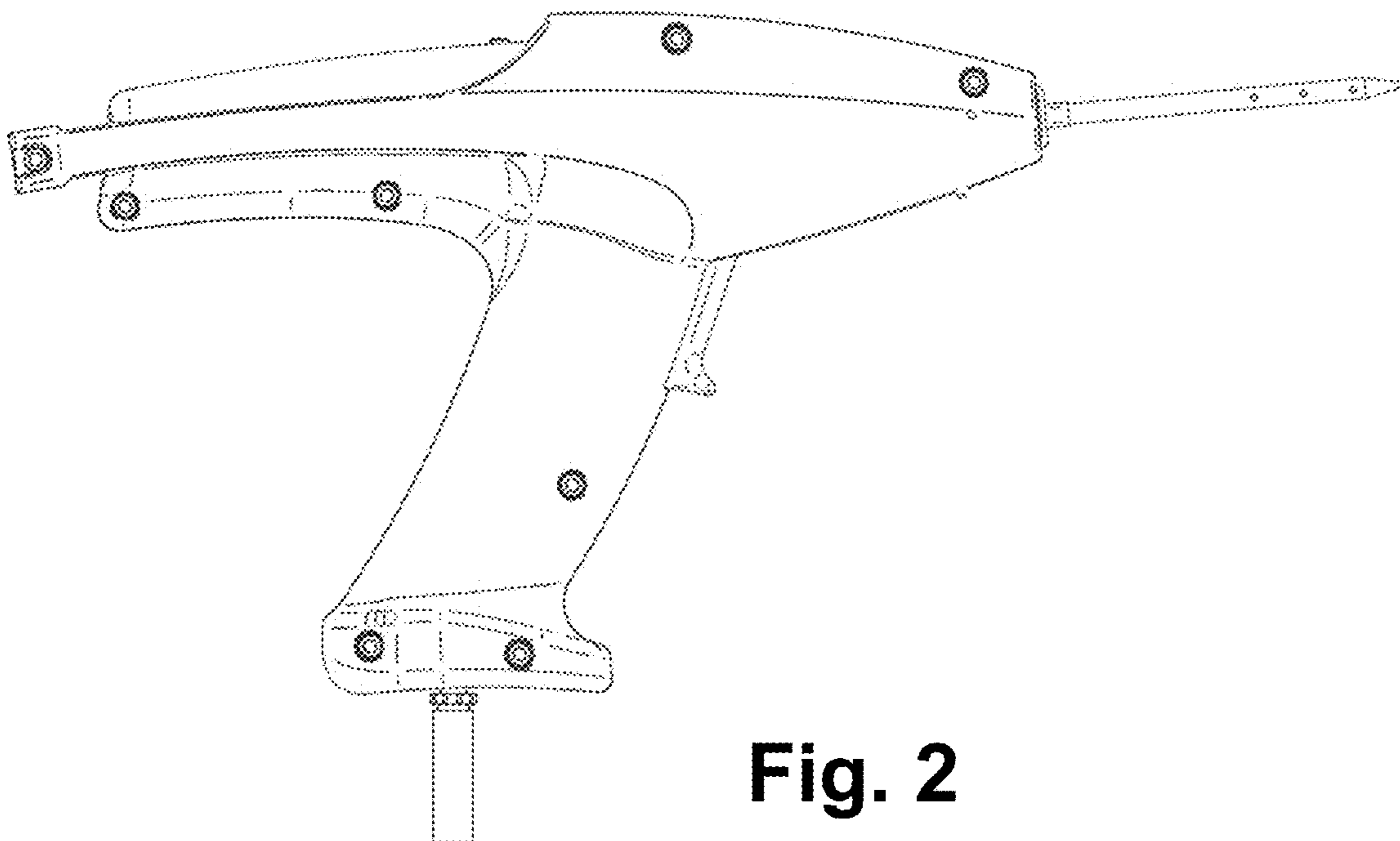


Fig. 2

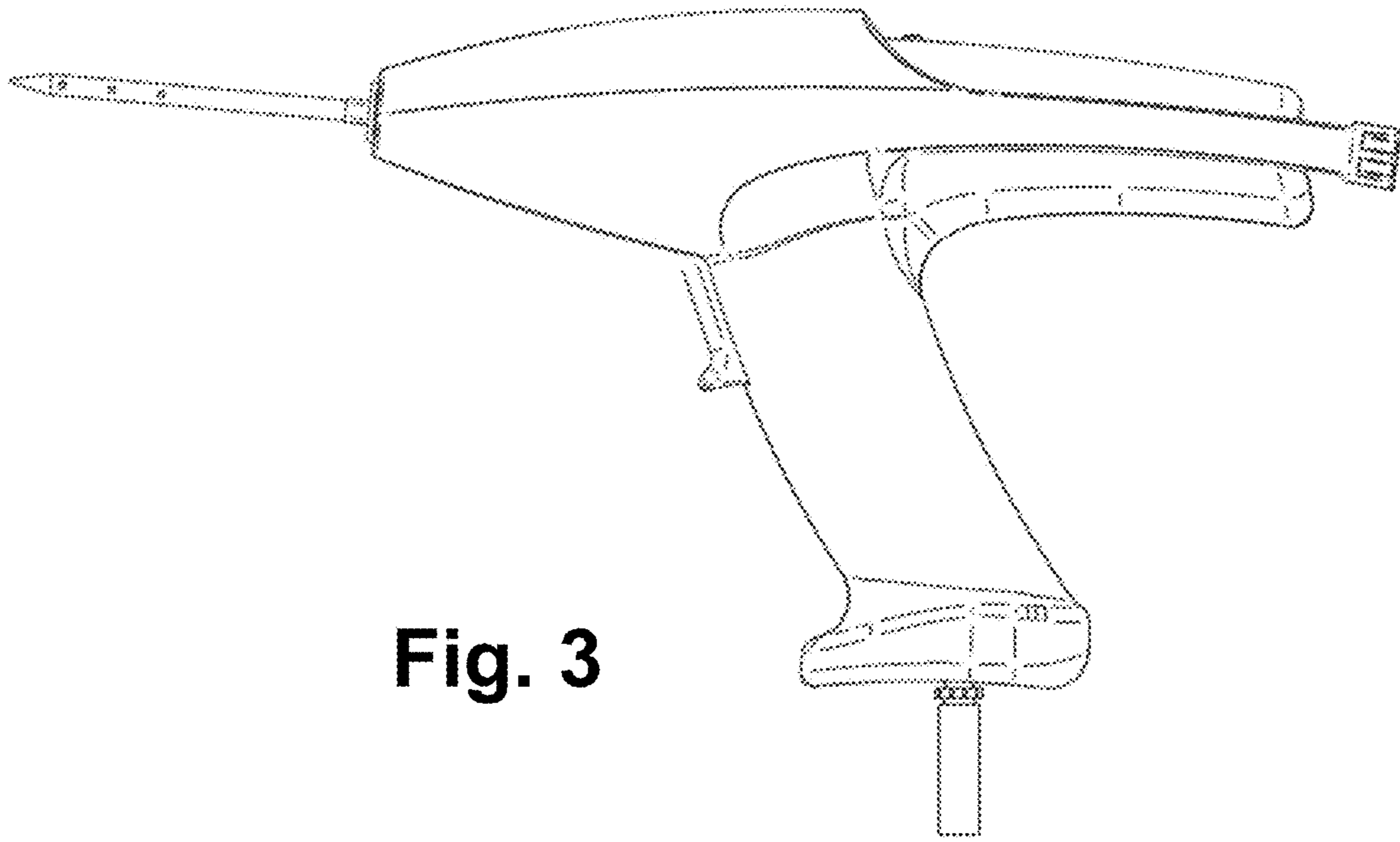


Fig. 3

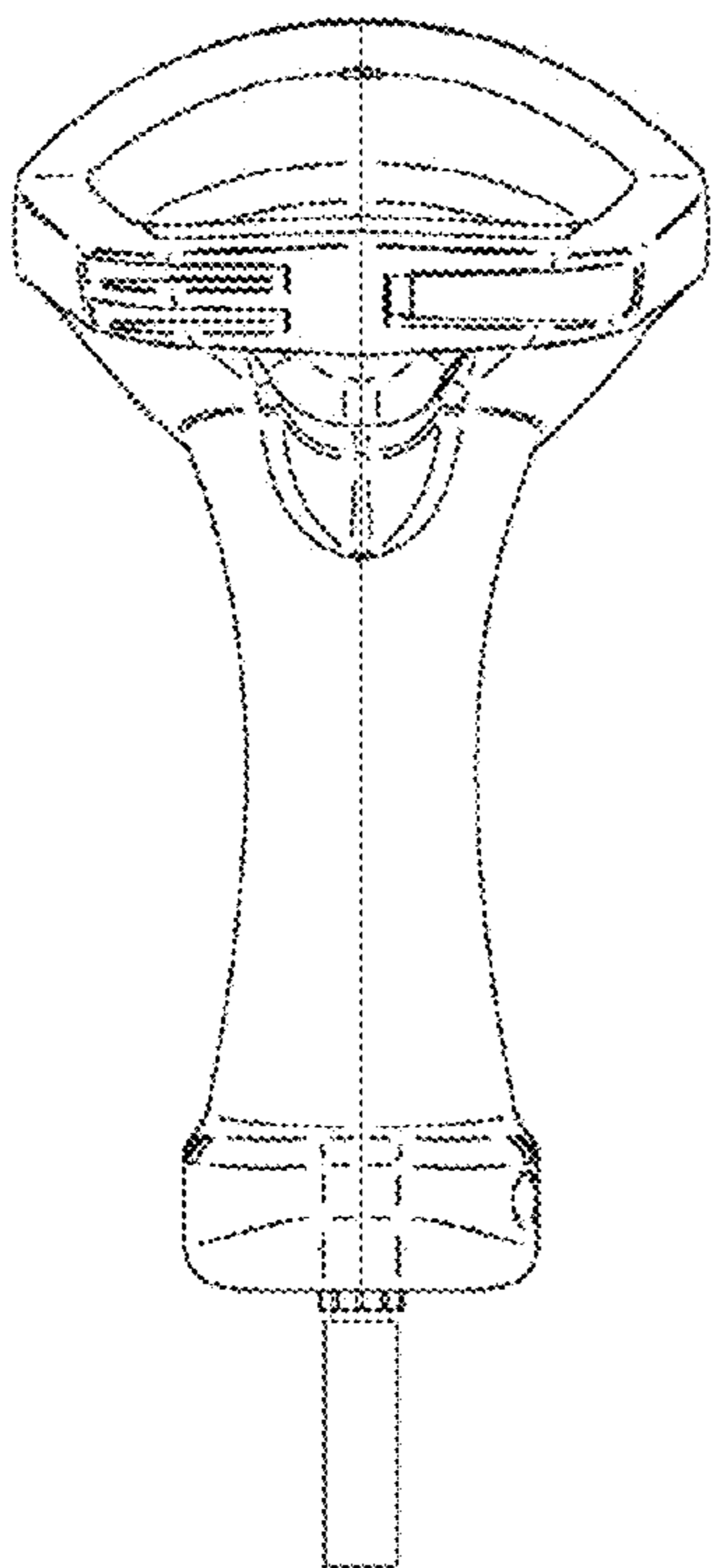


Fig. 4

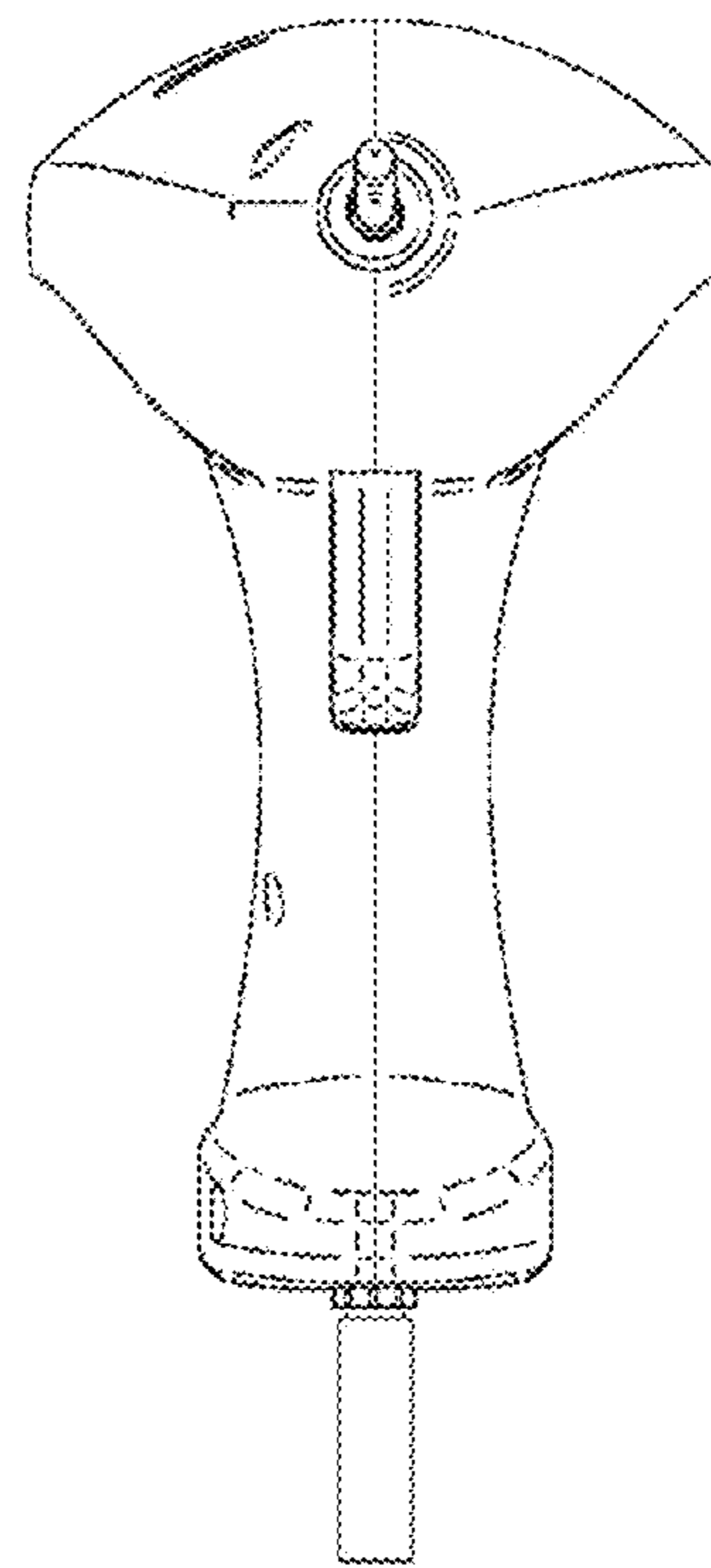


Fig. 5

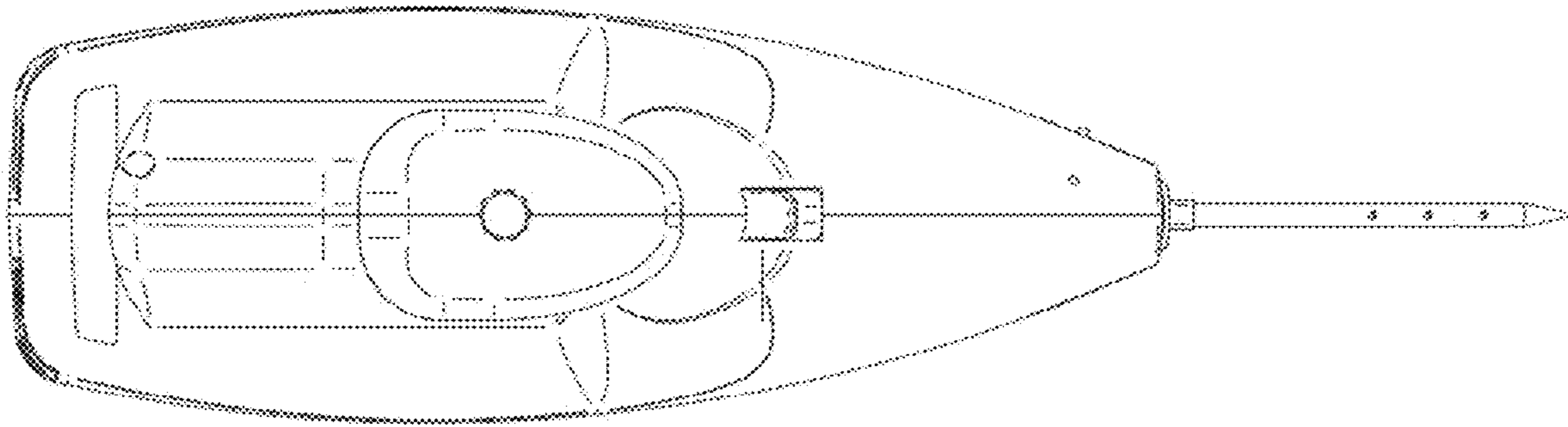


Fig. 6

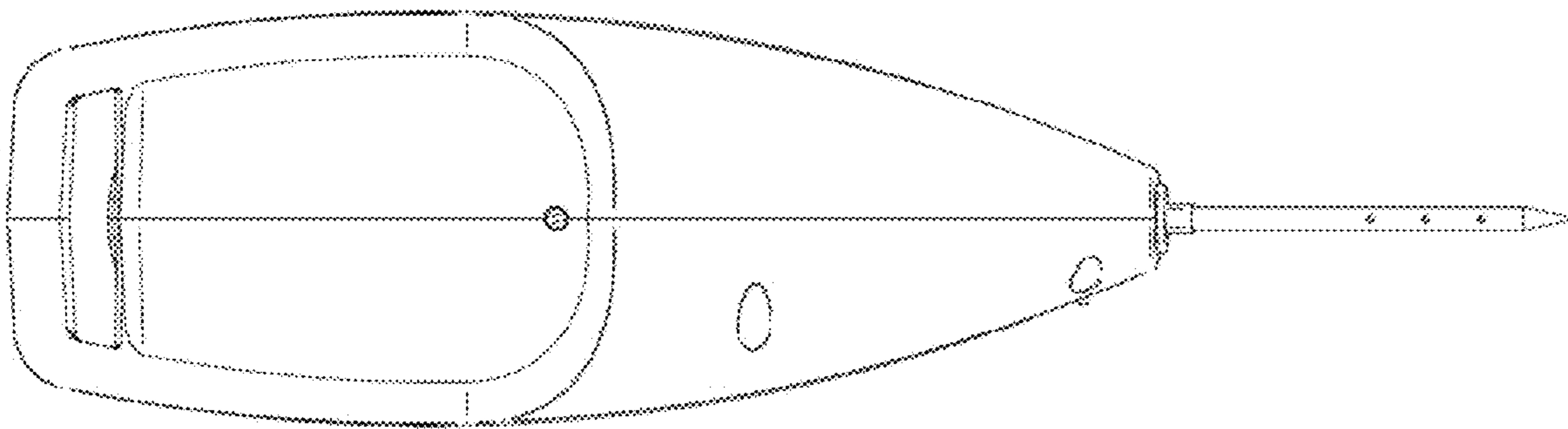


Fig. 7