



US00D878876S

(12) **United States Design Patent**
Dalton

(10) **Patent No.:** **US D878,876 S**

(45) **Date of Patent:** **** Mar. 24, 2020**

- (54) **BENTO BOX FOOD CONTAINER**
- (71) Applicant: **Peter David Dalton**, Los Angeles, CA (US)
- (72) Inventor: **Peter David Dalton**, Los Angeles, CA (US)
- (73) Assignee: **Sun Coast Merchandise Corp.**, Commerce, CA (US)

D801,127 S *	10/2017	Beckman	D7/629
D802,414 S *	11/2017	Delle Cese	D9/419
10,173,826 B2 *	1/2019	Sexton	B65D 45/20
D852,039 S *	6/2019	Troutt	D9/425
D864,568 S *	10/2019	Roberts	D3/294
2014/0103033 A1 *	4/2014	Beckman	B65D 25/04 220/4.01

(**) Term: **15 Years**

* cited by examiner

Primary Examiner — Derrick E Holland

Assistant Examiner — Andrew Kerr

(74) *Attorney, Agent, or Firm* — Steven E. Shapiro

(21) Appl. No.: **29/648,817**

(57) **CLAIM**

(22) Filed: **May 24, 2018**

The ornamental design for a bento box food container, as shown and described.

(51) **LOC (12) Cl.** **07-01**

(52) **U.S. Cl.**
USPC **D7/629**; D9/432

DESCRIPTION

(58) **Field of Classification Search**
 USPC D7/601, 602, 629; D9/414, 420, 424,
 D9/430, 432, 434, 435; D3/203.1, 203.6;
 D19/102, 104, 106
 CPC A45C 11/20; A45C 11/34; A45C 11/36;
 B65D 81/34; B65D 85/30; B65D 25/04
 See application file for complete search history.

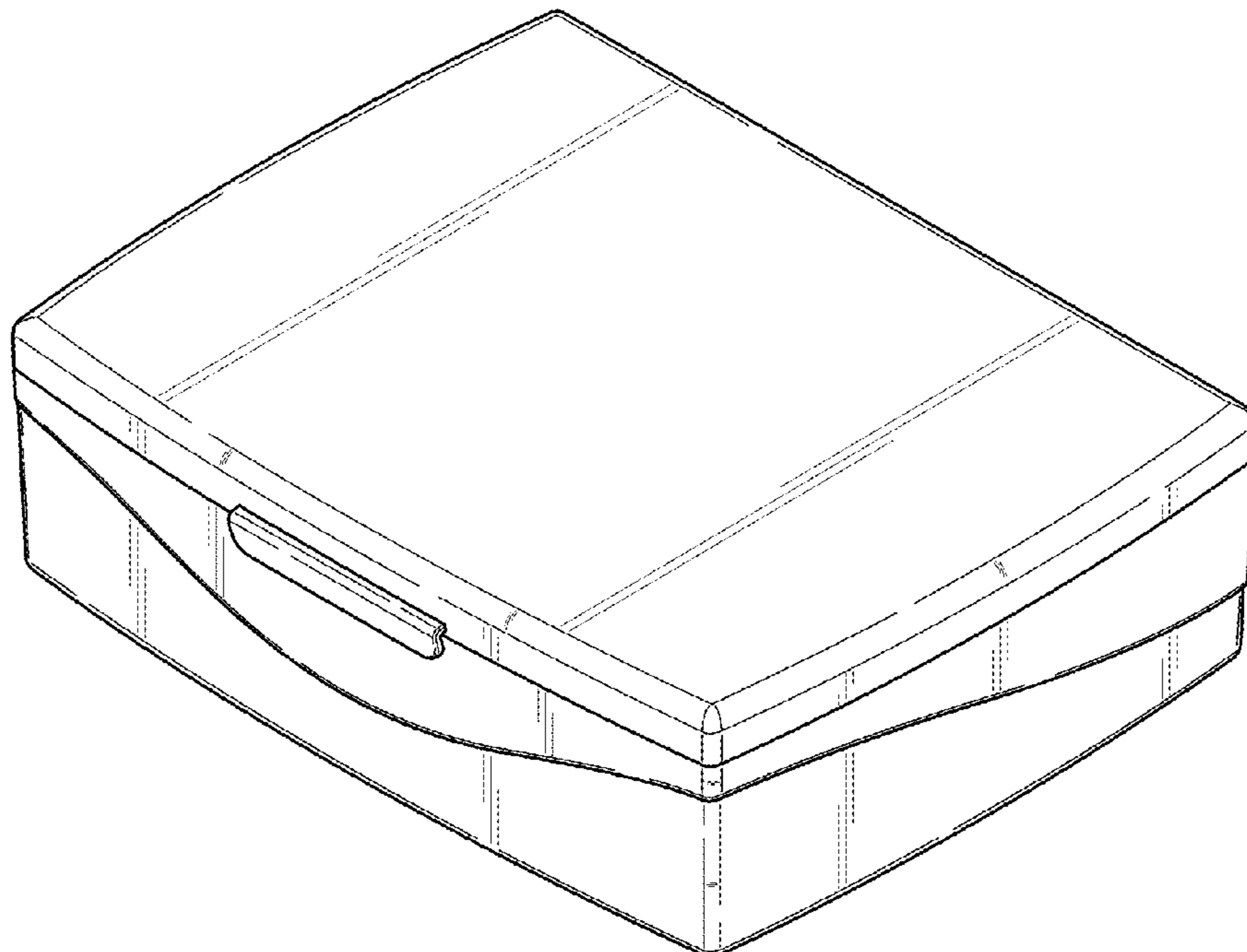
FIG. 1 is a top perspective view of a bento box food container, showing my new design;
 FIG. 2 is a bottom perspective view of the bento box food container;
 FIG. 3 is a front elevation view of the bento box food container;
 FIG. 4 is a rear elevation view of the bento box food container;
 FIG. 5 is a left side elevation view of the bento box food container;
 FIG. 6 is a right side elevation view of the bento box food container;
 FIG. 7 is a top plan view of the bento box food container;
 and,
 FIG. 8 is a bottom plan view of the bento box food container.

(56) **References Cited**

U.S. PATENT DOCUMENTS

7,090,089 B2 *	8/2006	Lown	B65D 43/0218 220/324
D529,622 S *	10/2006	Hadjis	D24/229
7,997,412 B2 *	8/2011	Henry	A47J 47/01 206/459.5
D692,280 S *	10/2013	Aldridge	D7/629
D742,737 S *	11/2015	Huang	D9/425
D748,280 S *	1/2016	Lui	D24/227

1 Claim, 8 Drawing Sheets



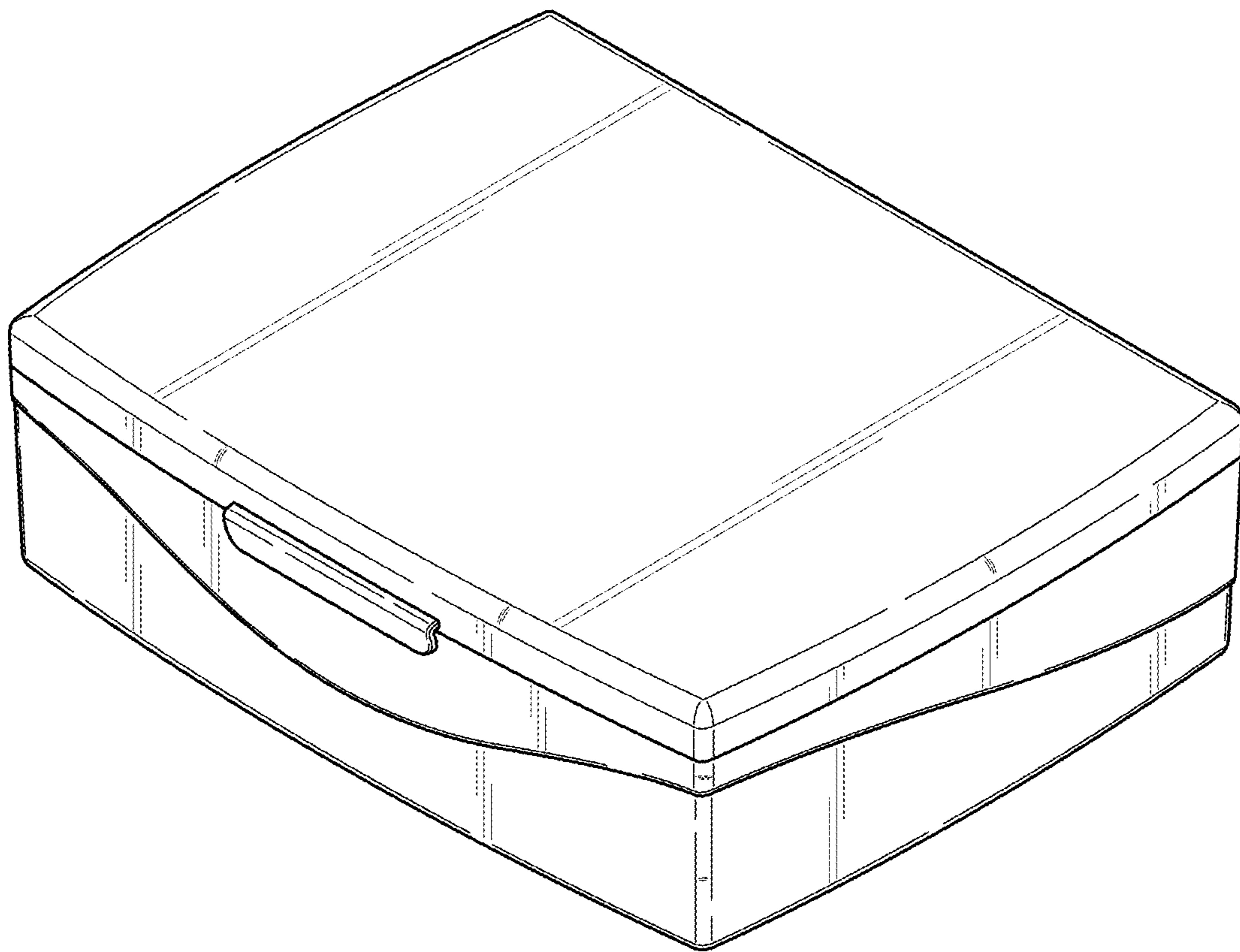


FIG. 1

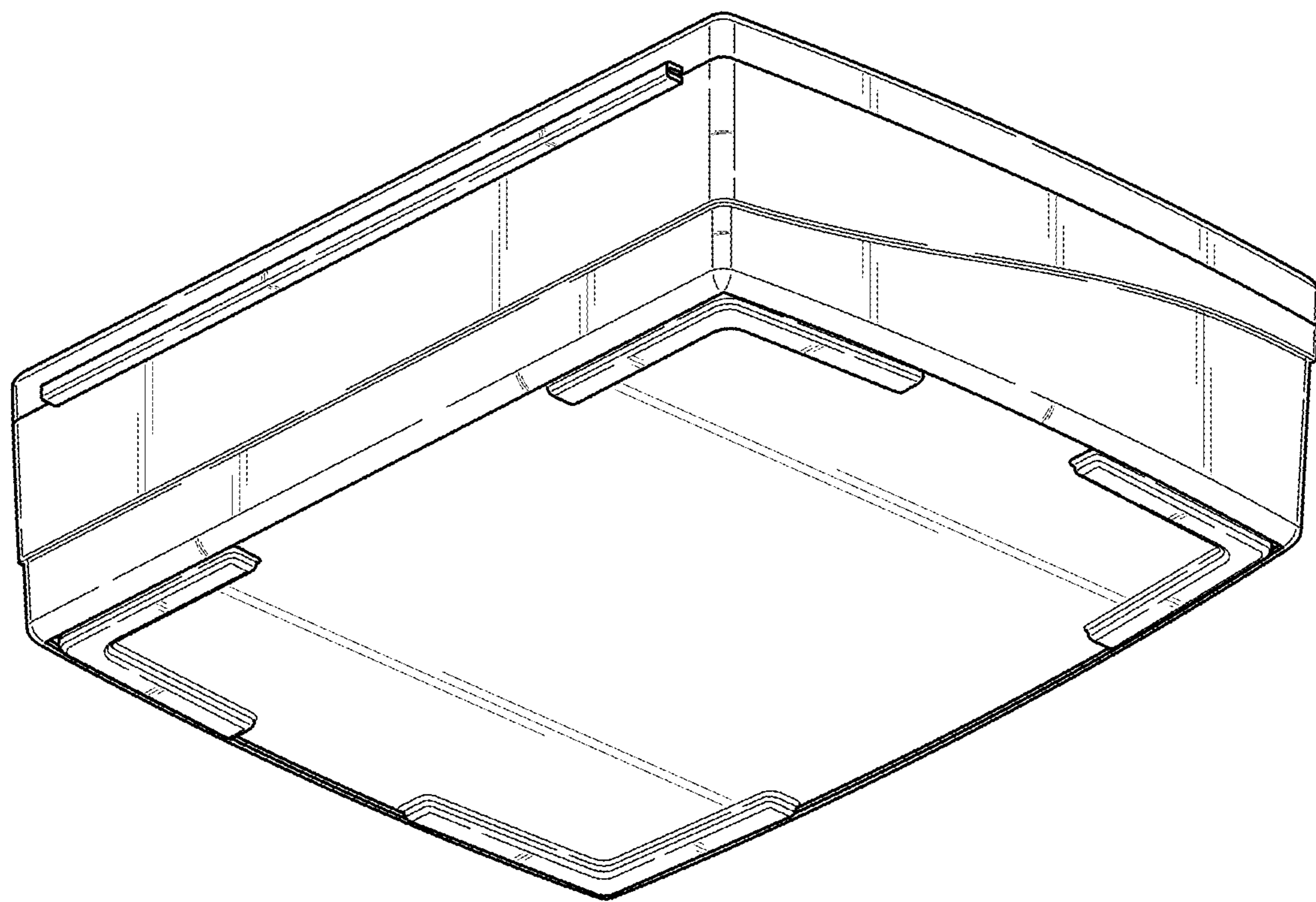


FIG. 2

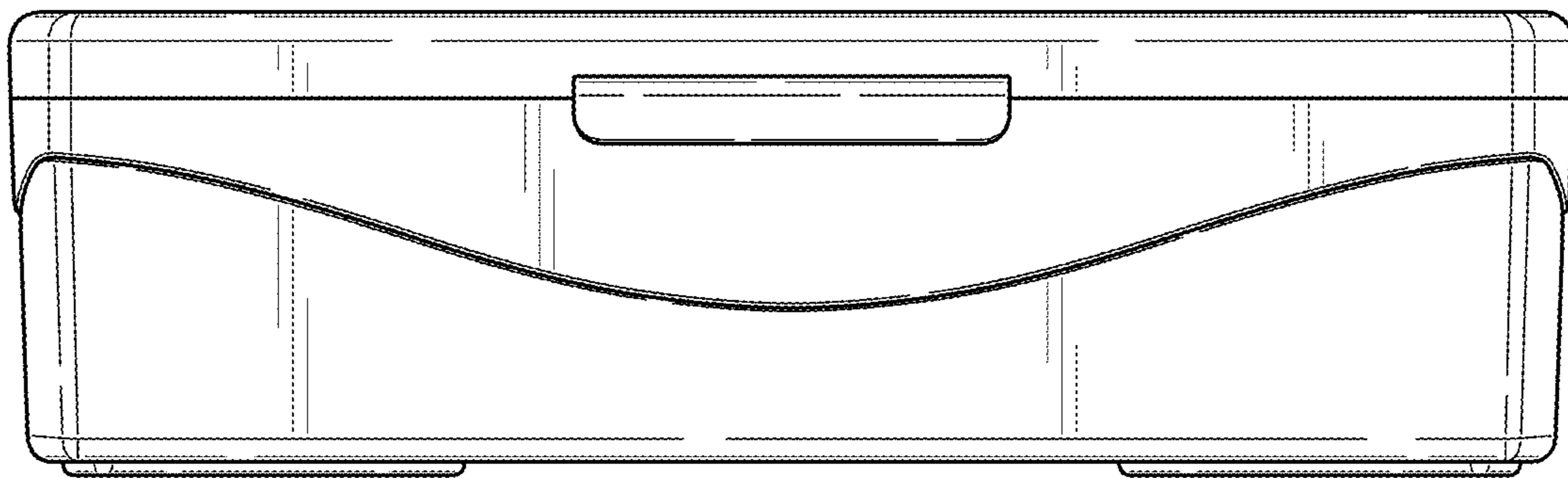


FIG. 3

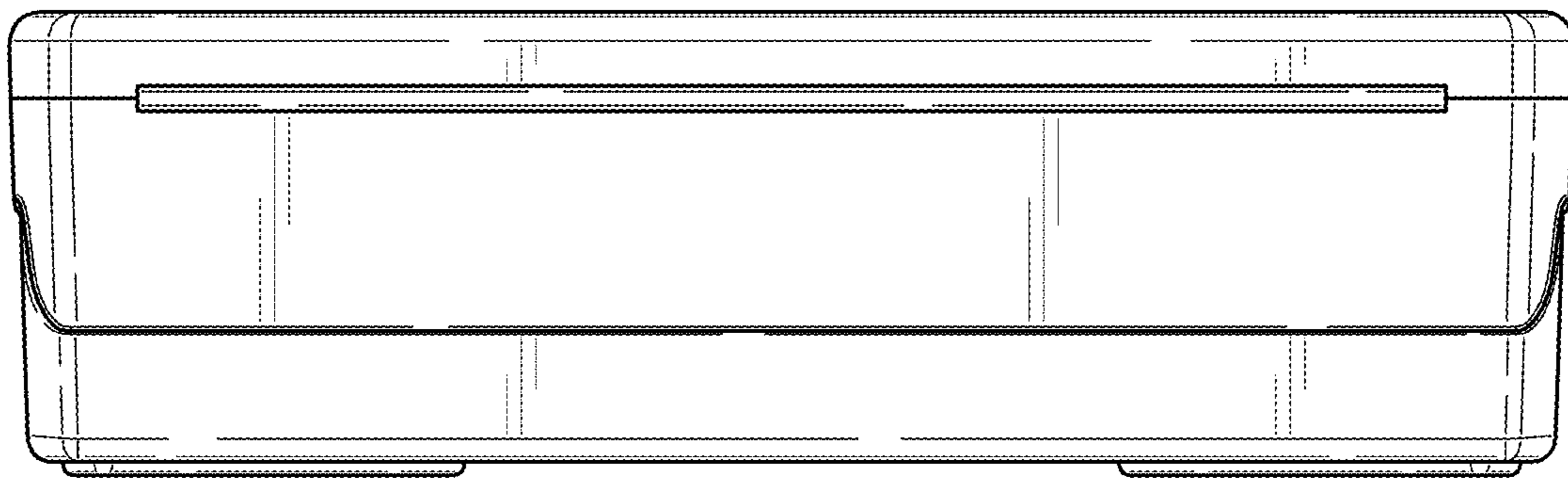


FIG. 4

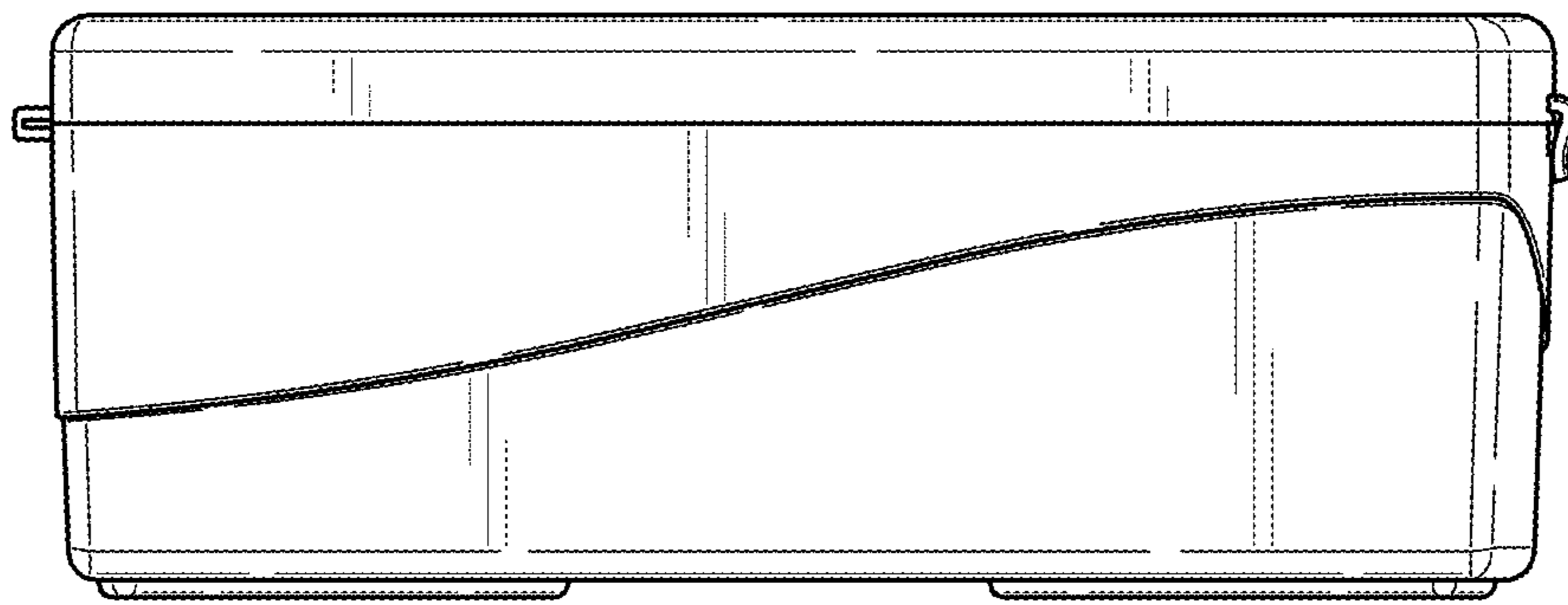


FIG. 5

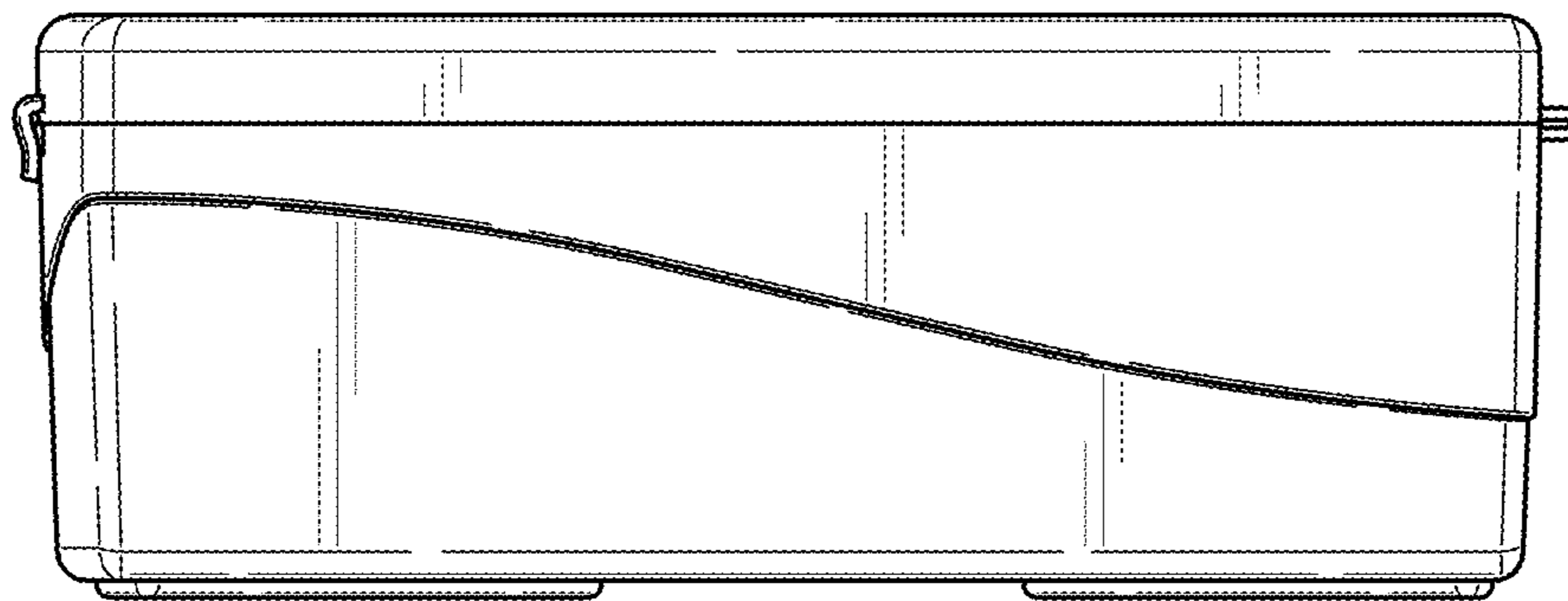


FIG. 6

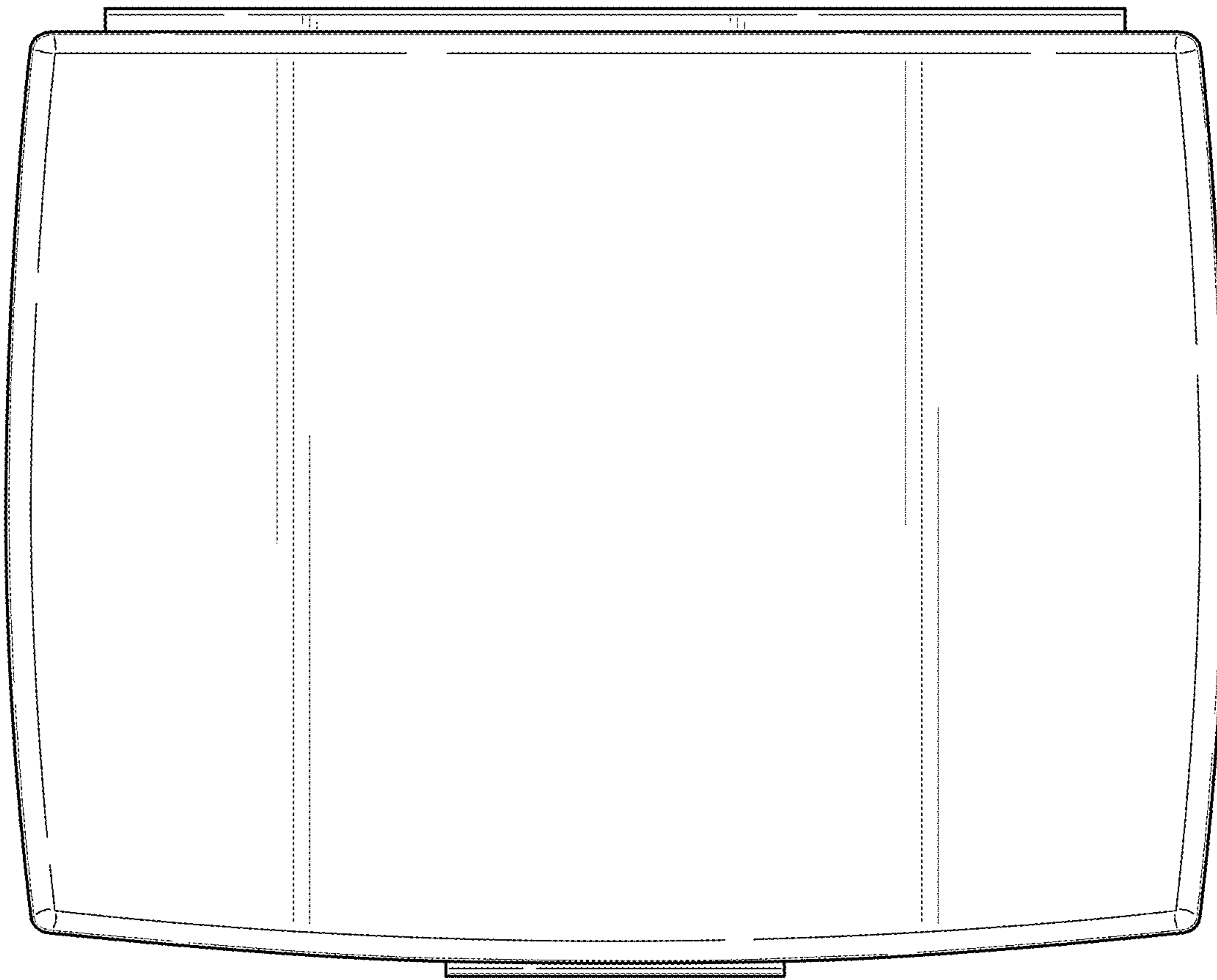


FIG. 7

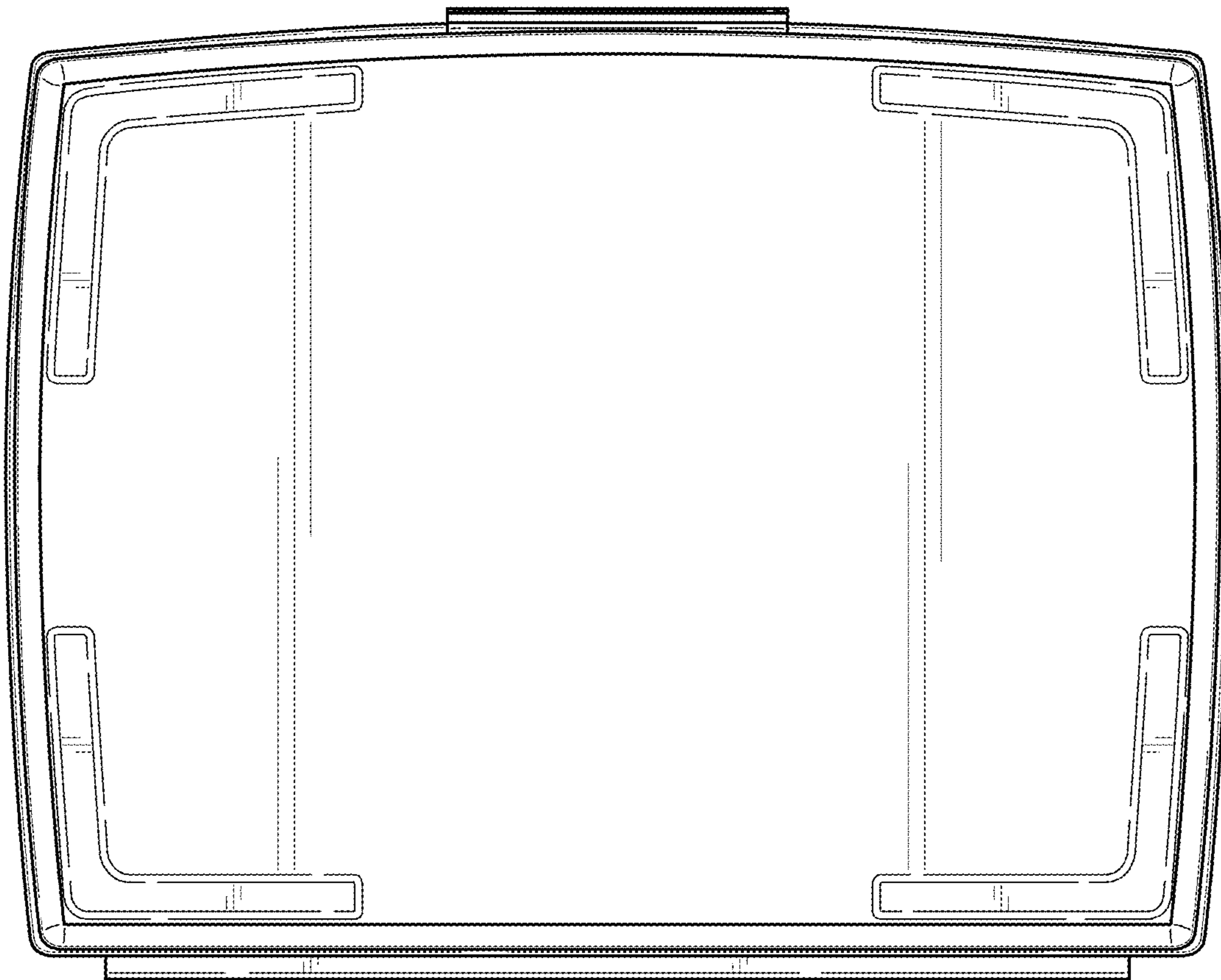


FIG. 8