



US00D878875S

(12) **United States Design Patent** (10) **Patent No.:** **US D878,875 S**  
**Nagao** (45) **Date of Patent:** **\*\* Mar. 24, 2020**

(54) **WINE COOLER**

(71) Applicant: **Hiroki Nagao**, Tokyo (JP)

(72) Inventor: **Hiroki Nagao**, Tokyo (JP)

(\*\*) Term: **15 Years**

(21) Appl. No.: **35/506,393**

(22) Filed: **Sep. 8, 2018**

(80) **Hague Agreement Data**

Int. Filing Date: **Sep. 8, 2018**

Int. Reg. No.: **DM/103444**

Int. Reg. Date: **Sep. 8, 2018**

Int. Reg. Pub. Date: **Mar. 8, 2019**

(51) **LOC (12) Cl.** ..... **06-13**

(52) **U.S. Cl.**  
USPC ..... **D7/608**

(58) **Field of Classification Search**  
USPC ..... D7/602, 603, 605, 608, 624.2; D3/316;  
D11/143, 152  
CPC ..... B65D 81/3886; B65D 81/3879; B65D  
81/3876; B65D 81/3874; B65D 5/0086;  
B65D 5/0209; B65D 23/08; A61J 9/08;  
F25D 3/08; F25D 31/007  
See application file for complete search history.

(56) **References Cited**

**U.S. PATENT DOCUMENTS**

- D246,086 S \* 10/1977 Graves ..... D7/624.2
- D289,722 S \* 5/1987 Neiser ..... D7/603
- D419,386 S \* 1/2000 Bouleuc ..... D7/603
- D541,596 S \* 5/2007 Hicks ..... D7/607
- D543,790 S \* 6/2007 Szymanski ..... D7/607
- D590,211 S \* 4/2009 Mancha, Jr. .... D7/607
- D621,223 S \* 8/2010 Bas ..... D7/603
- D662,785 S \* 7/2012 Kern ..... D32/55
- D688,103 S \* 8/2013 Rudgard ..... D7/607
- D770,238 S \* 11/2016 Lundwall ..... D7/620

- D775,901 S \* 1/2017 Lee ..... D7/603
- D809,872 S \* 2/2018 Ho ..... D7/624.2
- D829,510 S \* 10/2018 Harms ..... D7/603
- D832,037 S \* 10/2018 Gallagher ..... D7/397
- D835,945 S \* 12/2018 Verellen ..... D7/603
- D842,049 S \* 3/2019 Hsiao ..... D7/624.2
- D852,002 S \* 6/2019 Hsiao ..... D7/624.2
- D853,202 S \* 7/2019 Welham ..... D7/607
- D860,720 S \* 9/2019 Gallagher ..... D7/397
- D860,721 S \* 9/2019 Gallagher ..... D7/397
- D861,423 S \* 10/2019 Gallagher ..... D7/397

**OTHER PUBLICATIONS**

Noron foldable wine cooler sleeve, Shiny black, White. Undated; 5 pages. Found online Nov. 14, 2019 at [https://distributor.golding.eu/wine-set/118514--noron-wine-cooler-sleeve-solid-black-25-x-d-10-cm-11265400.\\*](https://distributor.golding.eu/wine-set/118514--noron-wine-cooler-sleeve-solid-black-25-x-d-10-cm-11265400.*)

(Continued)

*Primary Examiner* — Robert M. Spear

(57) **CLAIM**

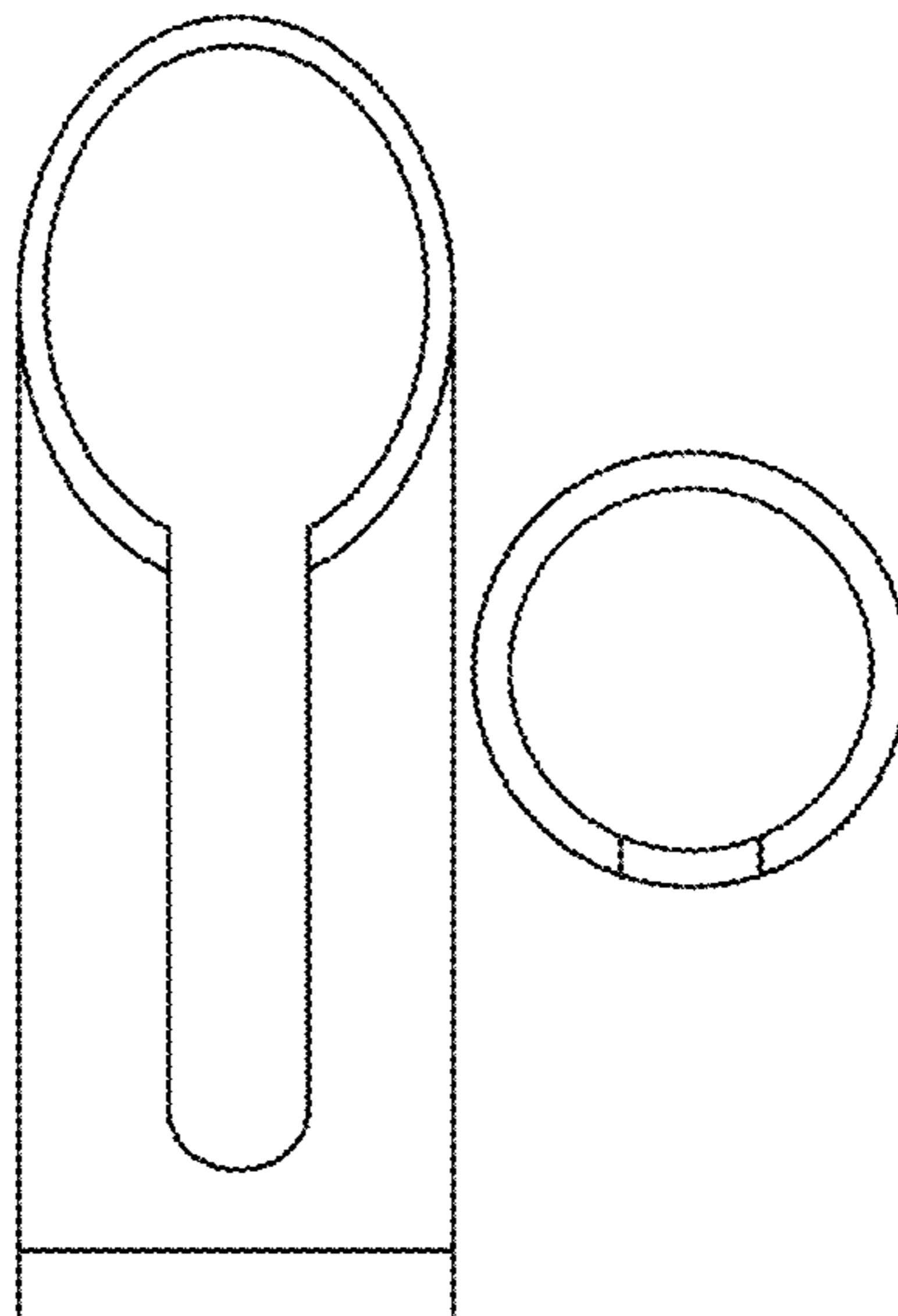
The ornamental design for wine cooler, as shown and described.

**DESCRIPTION**

- 1. Wine cooler
- 1.1 : Front
- 1.2 : Back
- 1.3 : Left
- 1.4 : Right
- 1.5 : Top
- 1.6 : Bottom

The real item is a bamboo bottle cooler used as a refrigerating container for various beverage bottles such as champagne bottle, wine bottle, sake bottle, soft drink bottle, etc.; by having the opening window in front of the real item, it is possible to easily confirm the label of the bottle and the remaining amount in the bottle.

**1 Claim, 6 Drawing Sheets**



(56)

**References Cited**

OTHER PUBLICATIONS

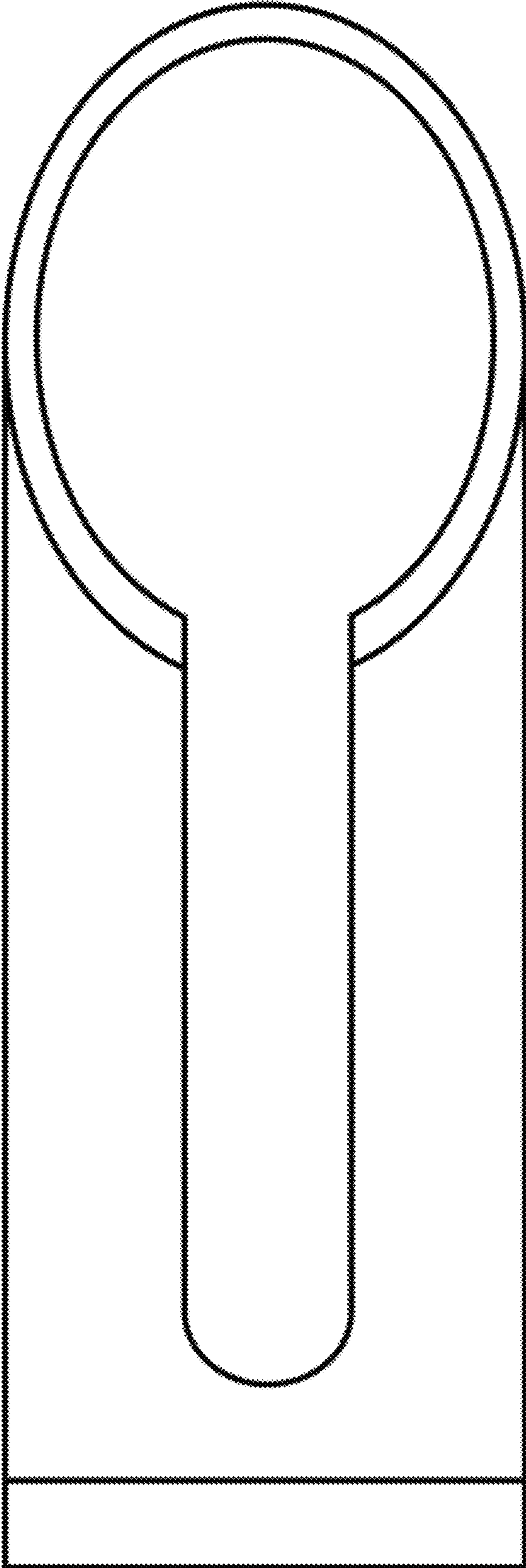
Wine Bottle Chiller Wine Bottle Cooler Sleeve NZ Wine Bottle Cooler Sleeve Australia. Undated; 3 pages. Found online Nov. 14, 2019 at <http://insedia.me/idea/>.\*

Wine Chiller by Nambé. Undated; 4 pages. Found online Nov. 14, 2019 at <https://www.bloomingdales.com/shop/product/nambe-tilt-wine-chiller?ID=27520>.\*

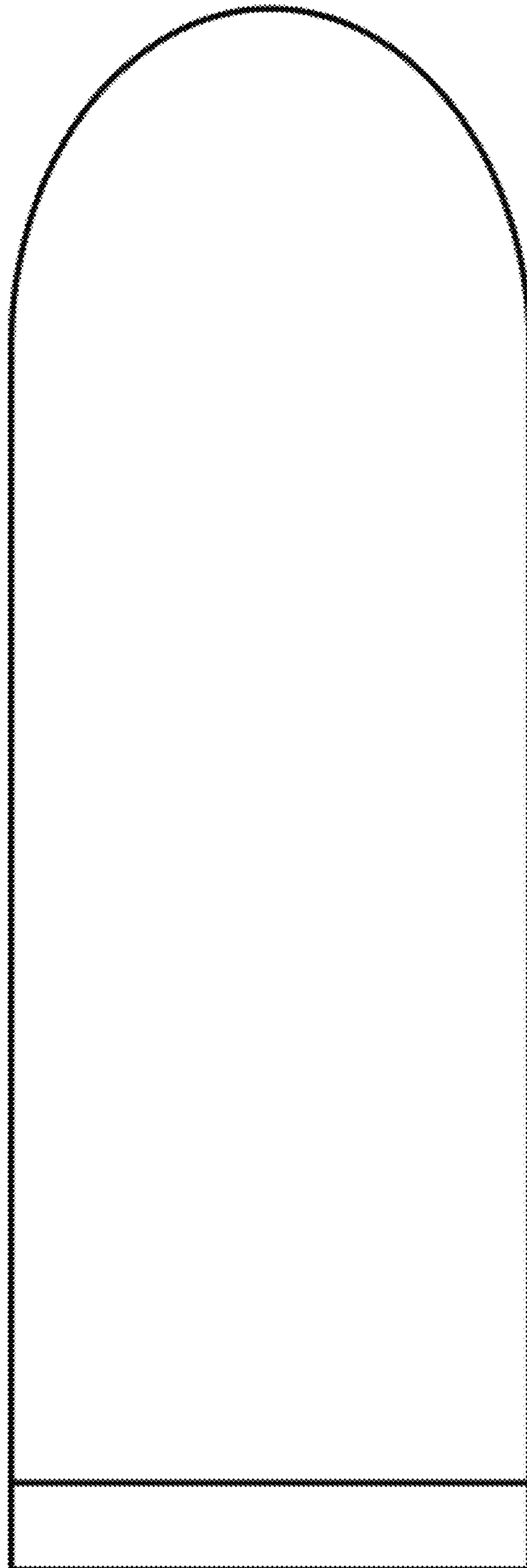
Omotenashi Bamboo Cooler. Undated; one page. Screenshot found Nov. 14, 2019 at <https://omotenashinippon.jp/prize/selection/2018/02-020/?la=en>.\*

\* cited by examiner

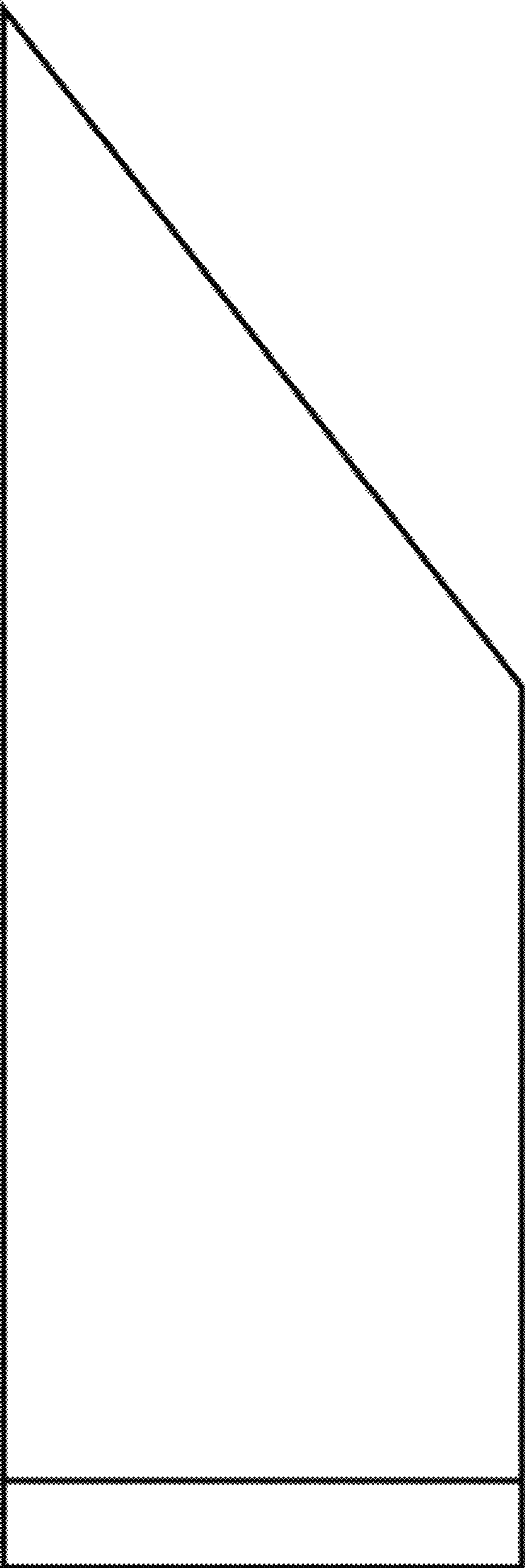
1.1



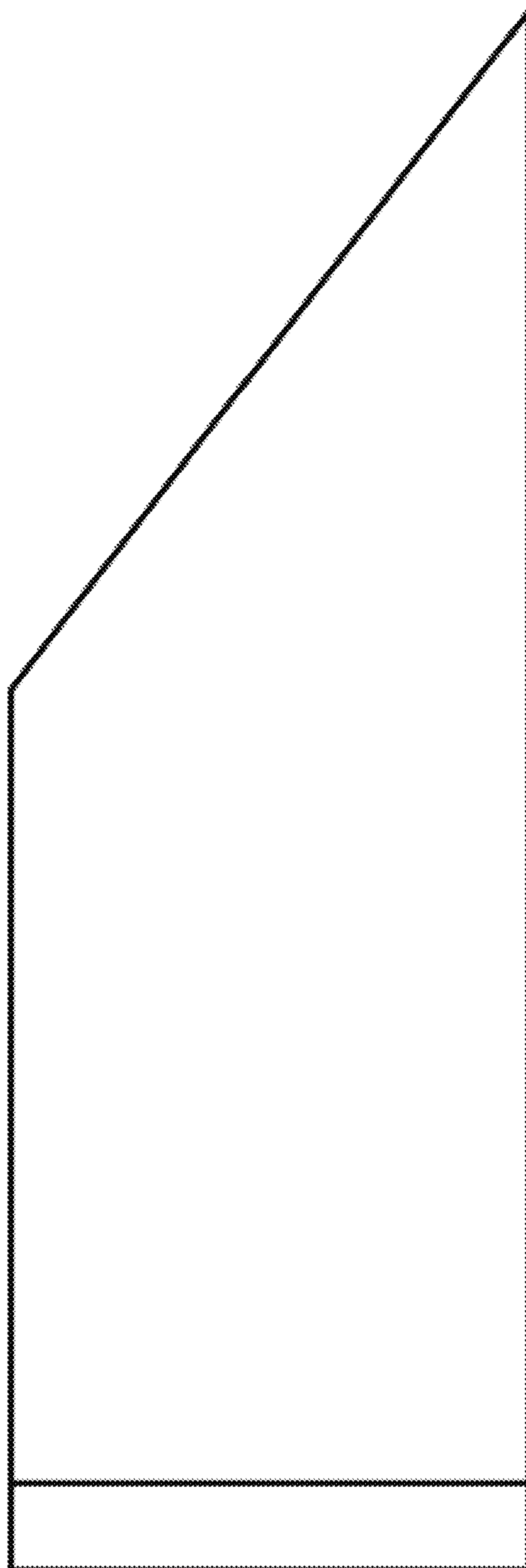
1.2



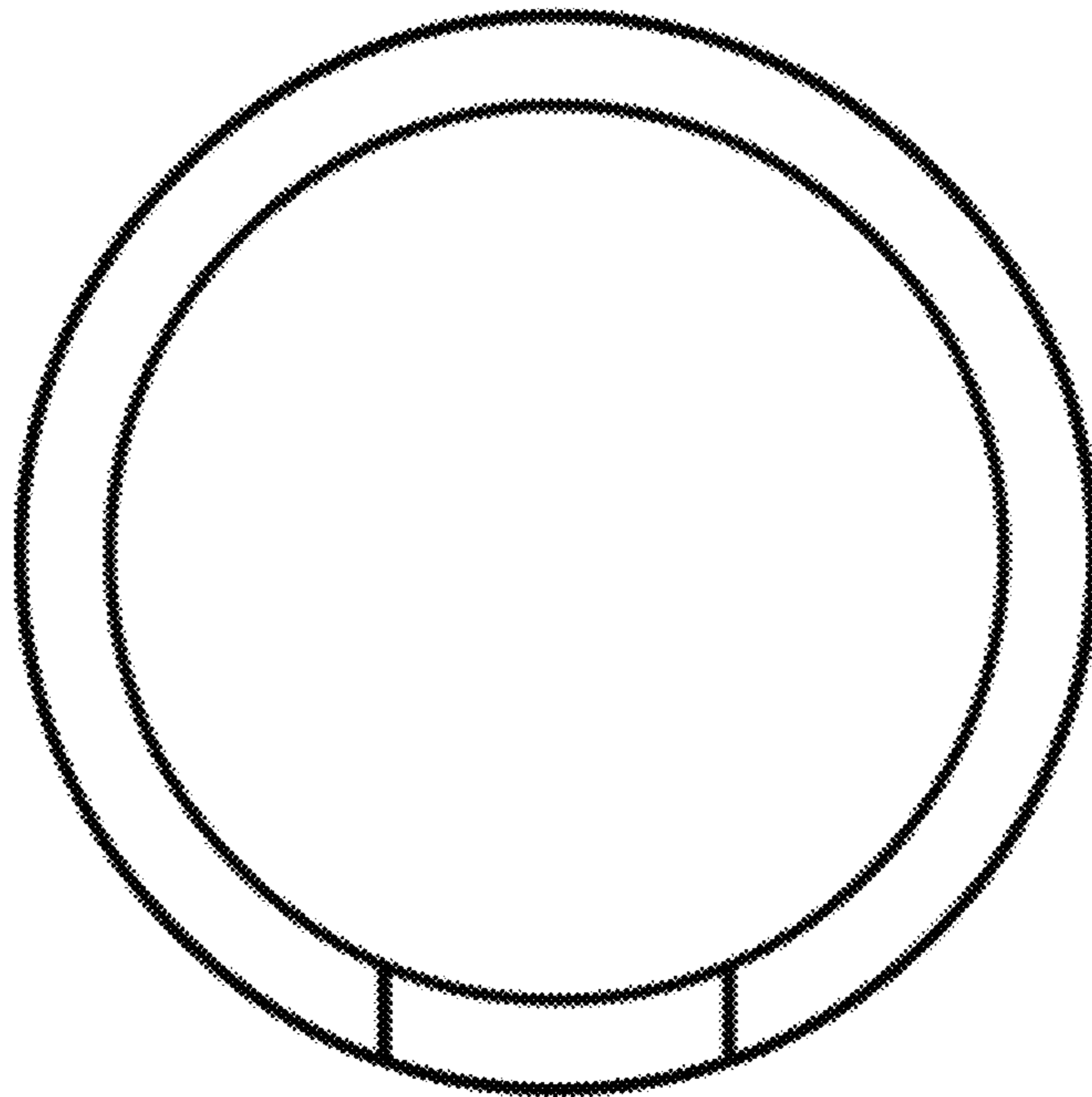
1.3



1.4



1.5



1.6

