



US00D878871S

(12) **United States Design Patent**
Zarkis et al.

(10) **Patent No.:** **US D878,871 S**
(45) **Date of Patent:** **** Mar. 24, 2020**

(54) **CONTAINER**

(71) Applicant: **Rubbermaid Commercial Products LLC, Atlanta, GA (US)**

(72) Inventors: **Michael A. Zarkis, Tega Cay, SC (US); Brian Smallwood, Huntersville, NC (US)**

(73) Assignee: **Rubbermaid Commercial Products LLC, Atlanta, GA (US)**

(**) Term: **15 Years**

(21) Appl. No.: **29/643,608**

(22) Filed: **Apr. 10, 2018**

(51) **LOC (12) Cl.** **07-07**

(52) **U.S. Cl.**
USPC **D7/602**

(58) **Field of Classification Search**
USPC D7/601, 602, 553.1, 553.2, 553.4, 554.3, D7/555, 553.5, 584; D9/430, 758, 759, D9/433, 432, 760, 414, 609; 426/85; D3/273

CPC A47G 19/02; A47G 19/025; B65D 1/24; B65D 1/36; A45C 11/20; B42F 9/00
See application file for complete search history.

(56) **References Cited**

U.S. PATENT DOCUMENTS

D228,861 S *	10/1973	Melich	D7/586
D240,390 S *	7/1976	Smith	D7/698
D250,402 S *	11/1978	Connell	D11/156
D250,443 S *	12/1978	Romanoff	D7/359
D258,722 S *	3/1981	Commisso	D9/423
D268,981 S *	5/1983	Monson	426/243
D272,505 S *	2/1984	Daenen	D7/359
D316,210 S *	4/1991	Giugiaro	D7/545
D316,331 S *	4/1991	Bridges	D3/281
D368,834 S *	4/1996	Lillelund	D7/698

D416,751 S *	11/1999	Sawyer	D7/359
D523,751 S *	6/2006	Vetrano	D9/456
D538,584 S *	3/2007	Scholze	D7/359
D586,056 S *	2/2009	Shea	D32/53.1
D607,095 S *	12/2009	LeMay	D23/366
D611,782 S *	3/2010	Masser	D7/566
D638,137 S *	5/2011	Gross	D24/227
D679,952 S *	4/2013	Holding	D7/550.1
D691,425 S *	10/2013	Zemel	D7/629
D697,402 S *	1/2014	Rosi	D7/602
9,044,077 B1 *	6/2015	Lin	A45D 44/00
D777,535 S *	1/2017	Zemel	D7/629
D812,476 S *	3/2018	Bergeron	D9/456

(Continued)

Primary Examiner — Cynthia R Underwood

(74) *Attorney, Agent, or Firm* — Eversheds Sutherland (US) LLP

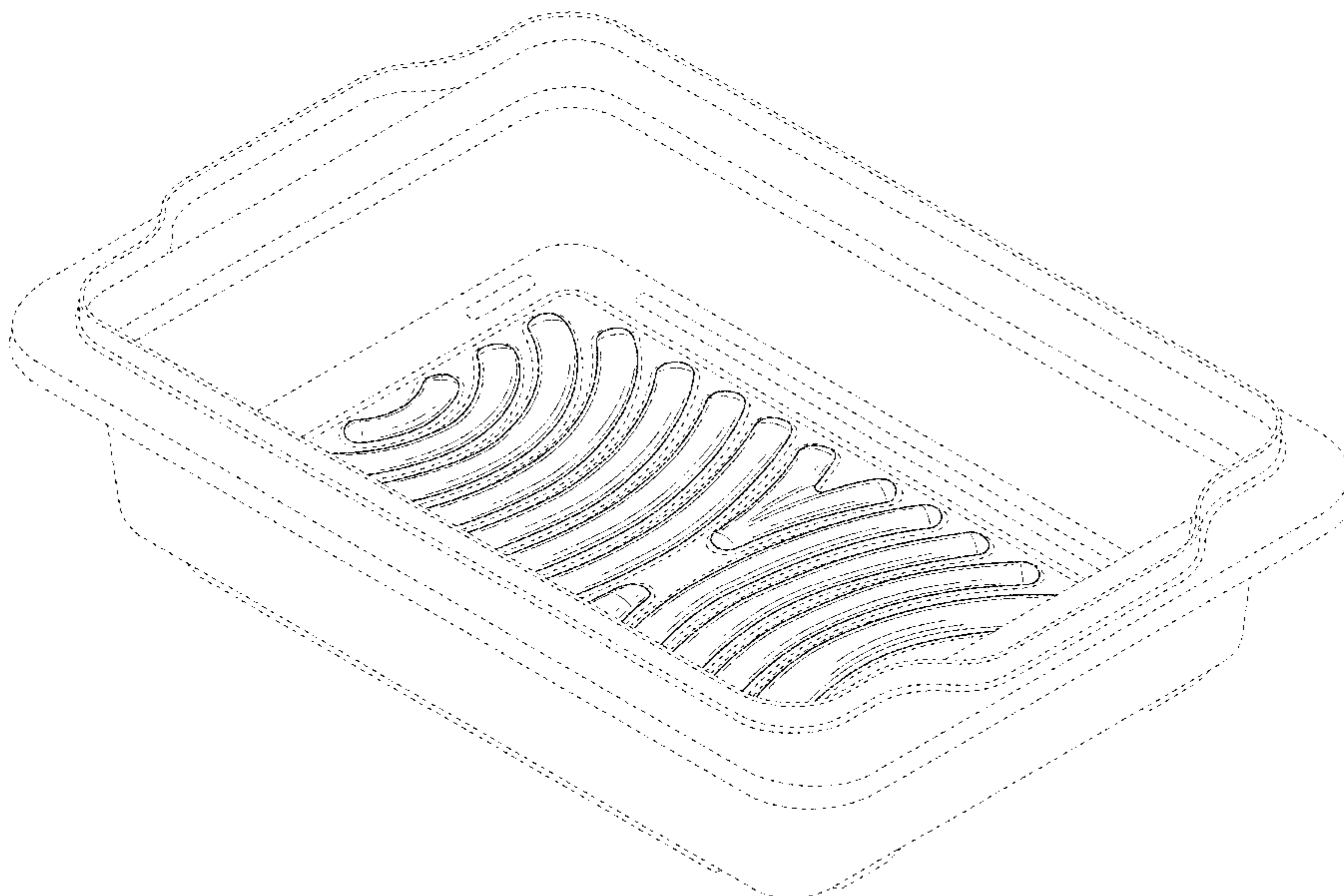
(57) **CLAIM**

We claim the ornamental design for a container, as shown and described.

DESCRIPTION

FIG. 1 is a top view showing our new design for a container; FIG. 2 is a bottom view showing the design of FIG. 1; FIG. 3 is a perspective top view showing the design of FIG. 1; FIG. 4 is another perspective top view showing the design of FIG. 1; FIG. 5 is a perspective bottom view showing the design of FIG. 1; FIG. 6 is another perspective bottom view showing the design of FIG. 1; FIG. 7 is a cross-sectional view taken from line 7-7 in FIG. 1; and, FIG. 8 is a cross-sectional view taken from line 8-8 in FIG. 1. The broken lines represent portions of the structure that form no part of the claim.

1 Claim, 7 Drawing Sheets



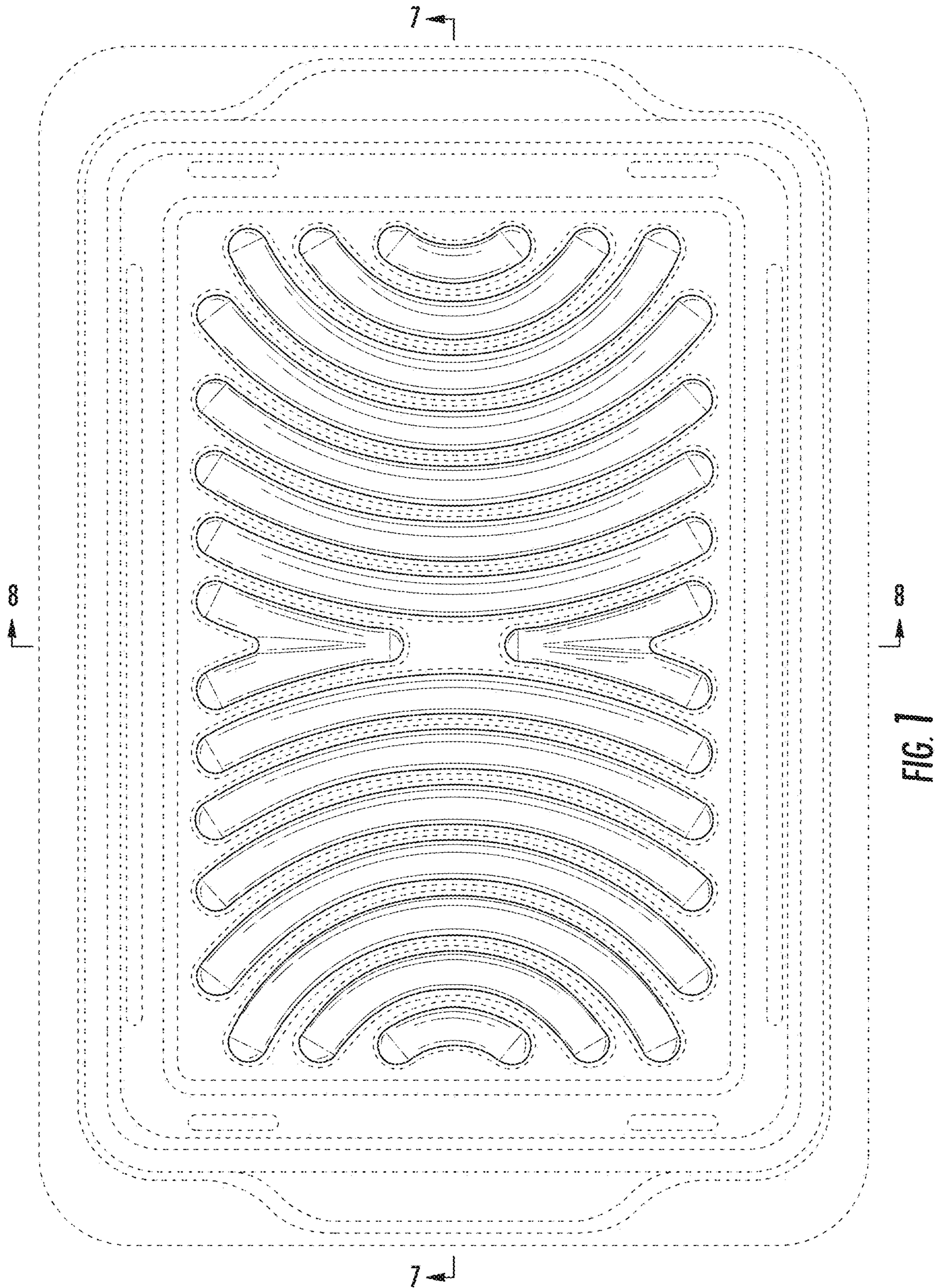
(56)

References Cited

U.S. PATENT DOCUMENTS

D833,086 S * 11/2018 Hansen D30/121
10,421,601 B2 * 9/2019 Bergeron B65D 85/72

* cited by examiner



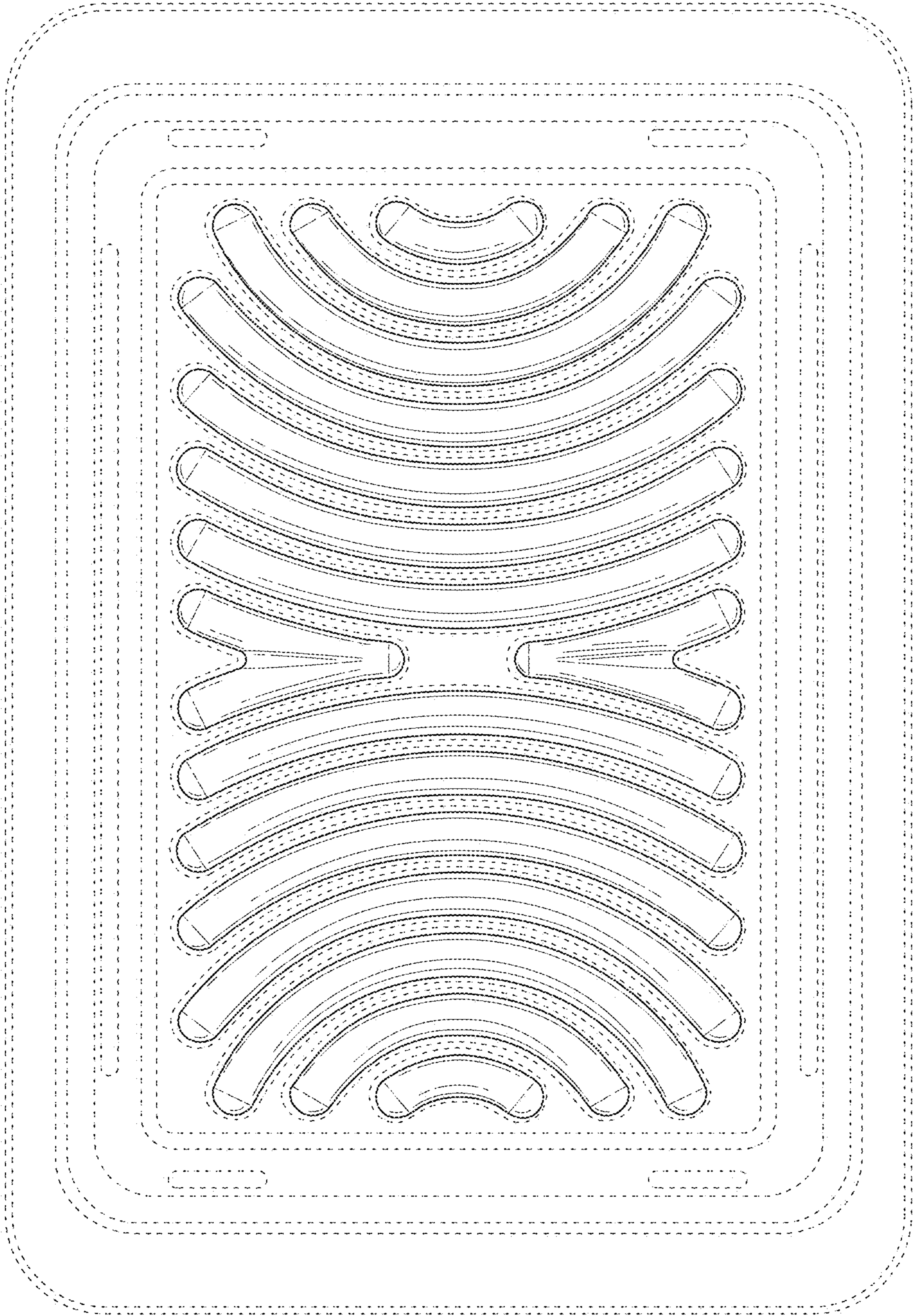


FIG. 2

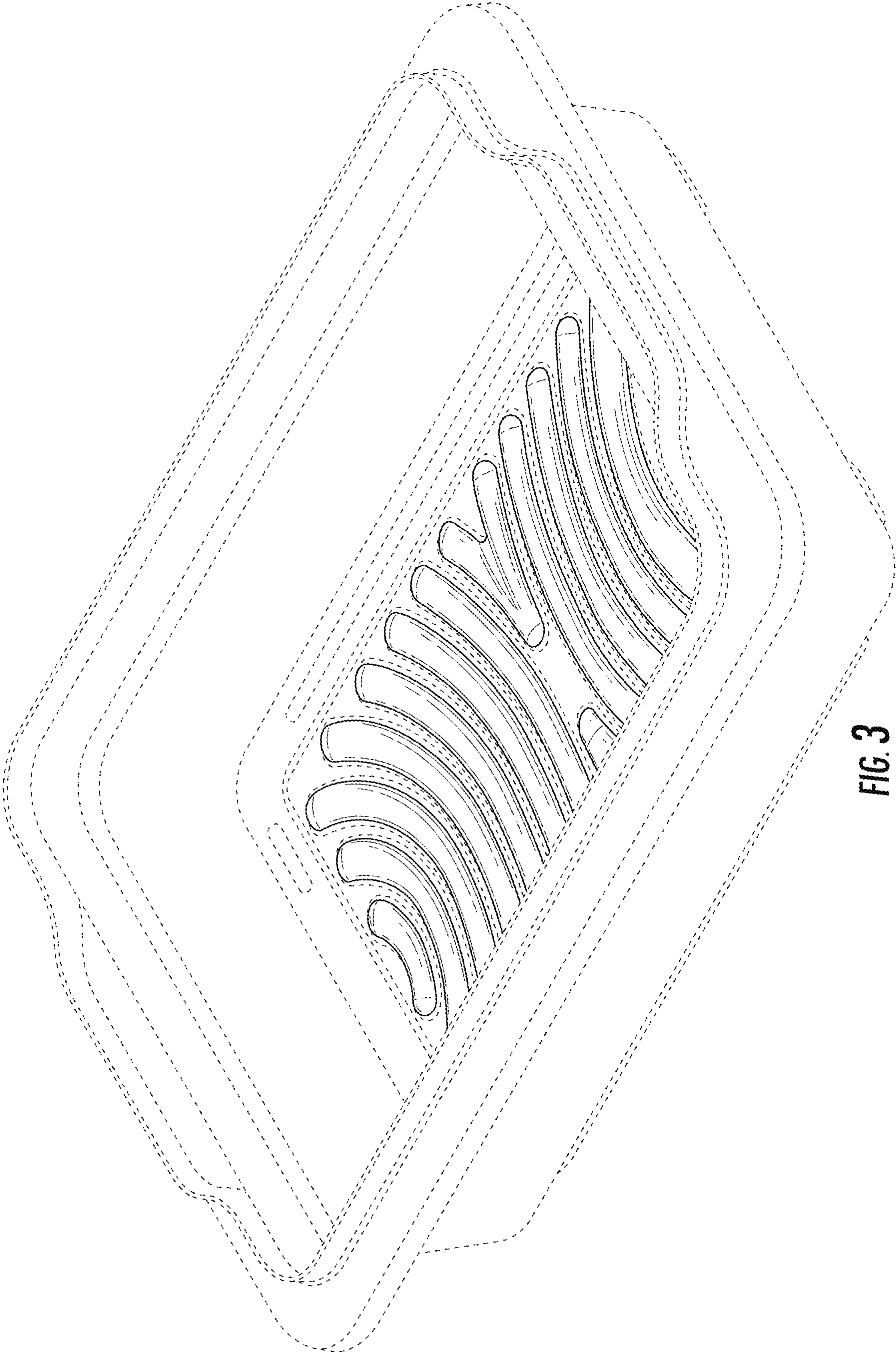


FIG. 3



FIG. 4

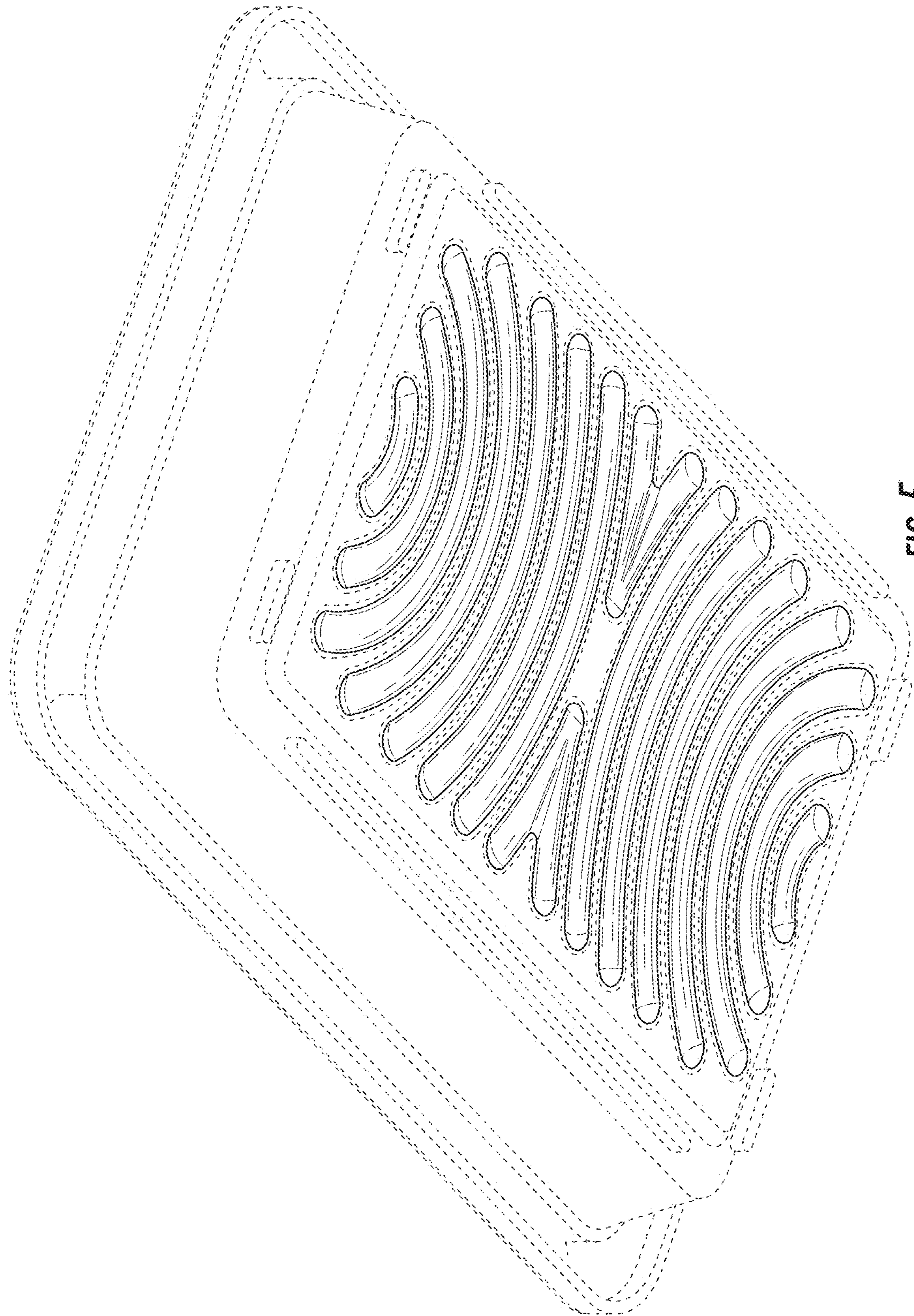


FIG. 5

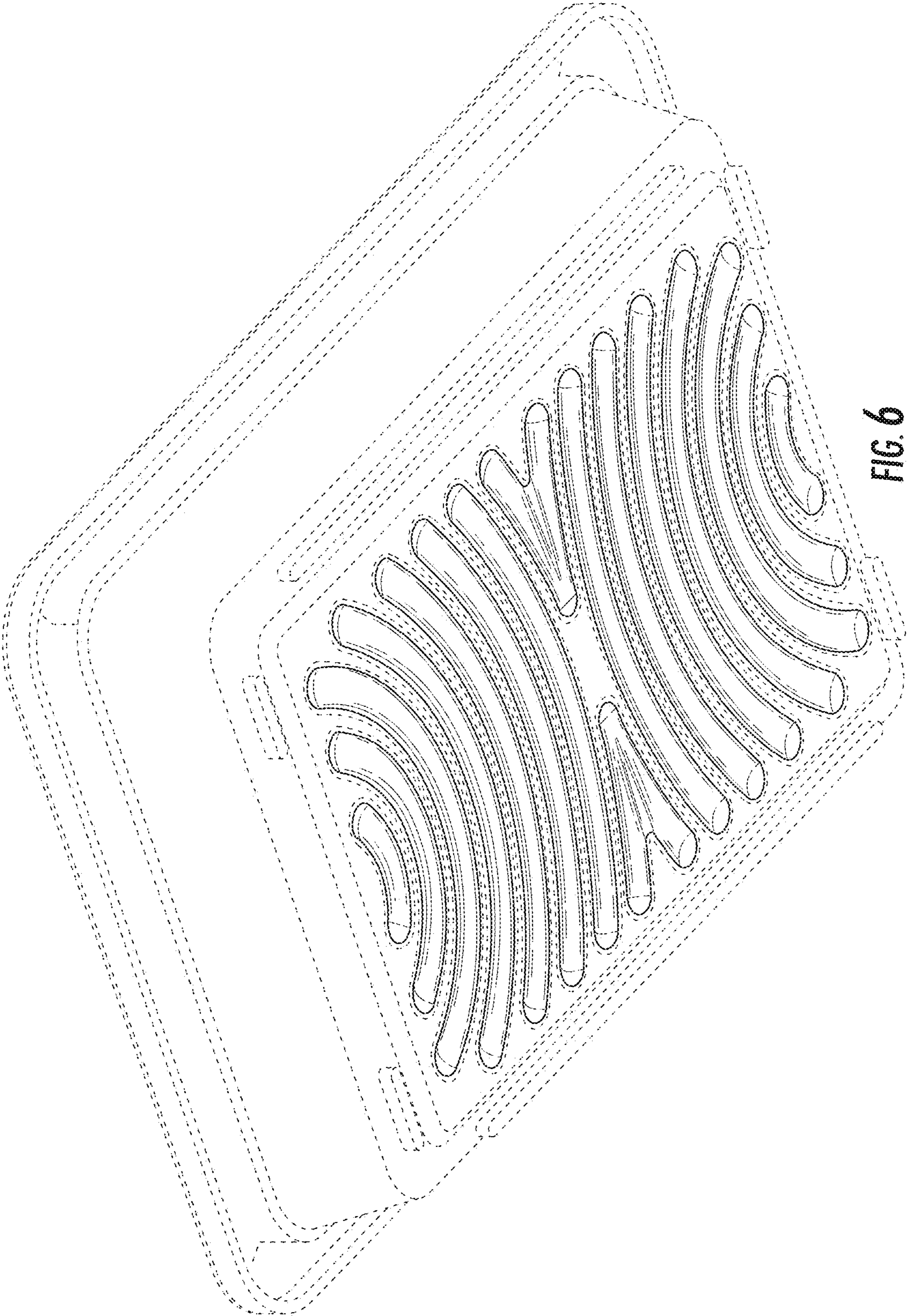


FIG. 6

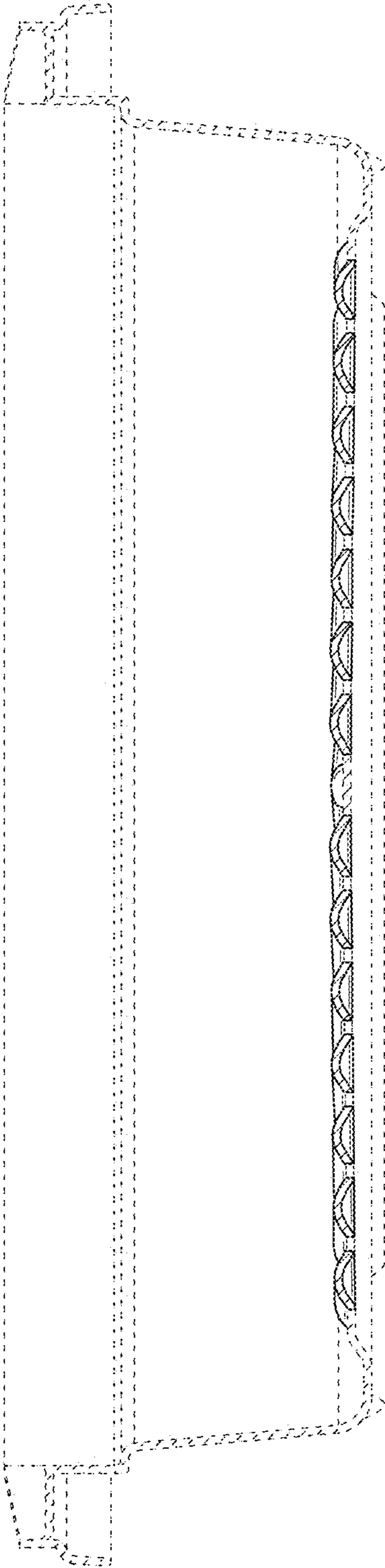


FIG. 7

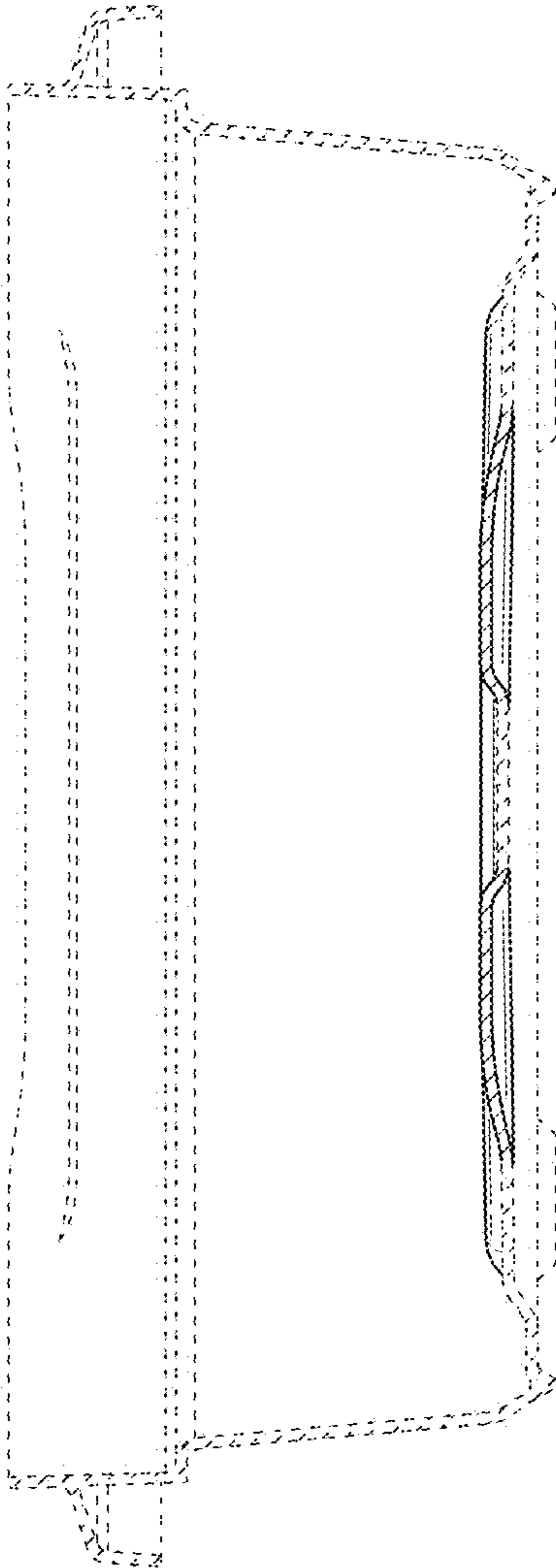


FIG. 8