



US00D878870S

(12) **United States Design Patent**
Cheng

(10) **Patent No.:** **US D878,870 S**

(45) **Date of Patent:** **** Mar. 24, 2020**

- (54) **ROUND STORAGE CONTAINER**
- (71) Applicant: **Meyer Intellectual Properties Limited**,
Kowloon (HK)
- (72) Inventor: **Stanley Kin Sui Cheng**, Hillsborough,
CA (US)
- (73) Assignee: **Meyer Intellectual Properties Limited**
(VG)
- (**) Term: **15 Years**
- (21) Appl. No.: **29/674,802**
- (22) Filed: **Dec. 26, 2018**
- (51) **LOC (12) Cl.** **07-07**
- (52) **U.S. Cl.**
USPC **D7/584; D7/602**
- (58) **Field of Classification Search**
USPC D7/602, 553.1, 553.2, 553.4, 554.3, 555,
D7/601, 553.5, 584; D9/430, 758, 759;
426/85; D3/273
CPC A47G 19/02; A47G 19/025; B65D 1/24;
B65D 1/36; A45C 11/20; B42F 9/00
See application file for complete search history.

(56) **References Cited**

U.S. PATENT DOCUMENTS

3,109,575	A	11/1963	Aldington et al.	
D207,727	S *	5/1967	Benes	D7/560
3,515,306	A	6/1970	Roper et al.	
4,412,630	A	11/1983	Daenen	
D286,026	S	10/1986	Rayner	
D374,793	S	10/1996	Eickel	
D389,058	S	1/1998	Landis	
D398,997	S	9/1998	Taylor	
D482,575	S *	11/2003	Mountain	D7/586
D495,564	S *	9/2004	Bodum	D7/587
D499,307	S *	12/2004	Stilz	D7/587
D502,049	S	2/2005	Munson et al.	

D627,198	S *	11/2010	Hull	D7/500
D628,894	S	12/2010	Pontes	
D649,085	S *	11/2011	Tremblay	D11/155
D651,475	S	1/2012	Lindsay et al.	
D652,683	S *	1/2012	Munoz	D7/555
D657,187	S	4/2012	Bagdasarian	
D666,458	S *	9/2012	Montgomery	D7/586
D688,124	S *	8/2013	Crosby	D9/428
D694,586	S *	12/2013	Miller	D7/587
D699,078	S *	2/2014	Katterheinrich	D7/587
D701,088	S *	3/2014	Hone	D7/505
D717,607	S *	11/2014	Miller	D7/587
D730,112	S	5/2015	Yessin et al.	
D731,241	S	6/2015	Yessin et al.	
D737,634	S *	9/2015	Brown	D7/396.6
D740,164	S *	10/2015	Pettigrew	D11/153
D740,165	S *	10/2015	Pettigrew	D11/153
D742,585	S *	11/2015	Bennett	D27/136
D750,424	S	3/2016	Shirley et al.	
D750,425	S	3/2016	Shirley et al.	
D751,335	S	3/2016	Shirley et al.	
D760,951	S *	7/2016	Bennett	D27/136
D761,061	S *	7/2016	McConnell	D7/587
D763,626	S *	8/2016	Westrick	D7/584

(Continued)

Primary Examiner — Cynthia R Underwood

(74) *Attorney, Agent, or Firm* — Edward S. Sherman

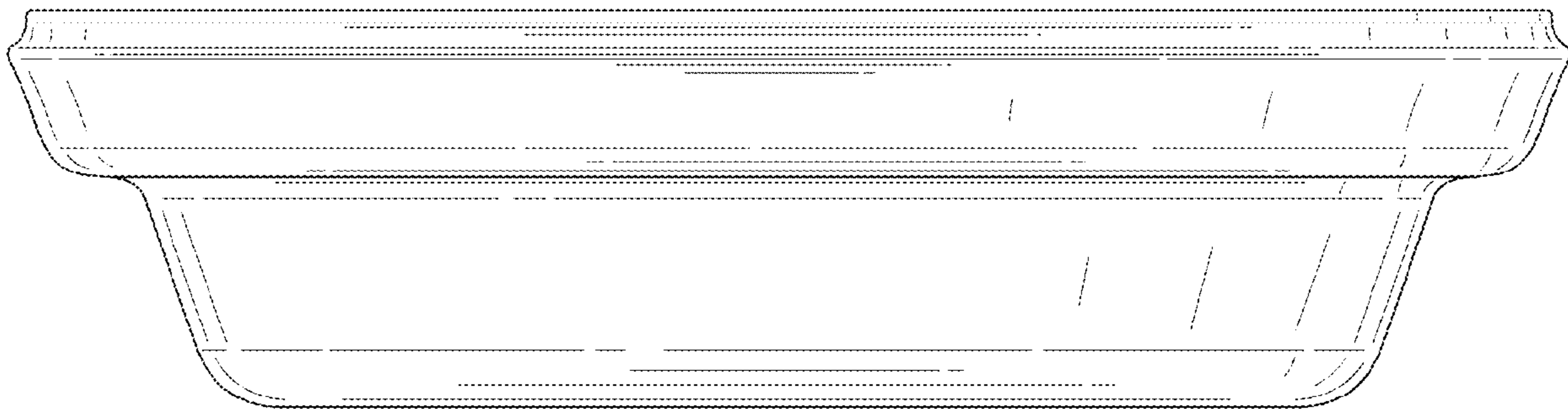
(57) **CLAIM**

The ornamental design for a round storage container, substantially as shown and described.

DESCRIPTION

FIG. 1 is a perspective view of the “round storage container”, showing my new design;
FIG. 2 is a top plan view thereof
FIG. 3 is a bottom plan view thereof;
FIG. 4 is a side elevation view thereof; and,
FIG. 5 is a cross sectional elevation view thereof that is taken at section line 5-5 in FIG. 2.

1 Claim, 4 Drawing Sheets



(56)

References Cited

U.S. PATENT DOCUMENTS

D773,239 S	12/2016	Taylor	
D774,887 S	12/2016	Torrison et al.	
D784,442 S *	4/2017	Grassmayr	D17/99
D786,624 S *	5/2017	Passot	D7/584
D801,110 S	10/2017	Samoff et al.	
D807,121 S *	1/2018	Mittal	D7/587
D816,396 S	5/2018	Eades et al.	
D816,500 S	5/2018	Torrison et al.	
D824,216 S *	7/2018	Nicoletos	D7/584
D828,726 S *	9/2018	Epley	D7/602

* cited by examiner

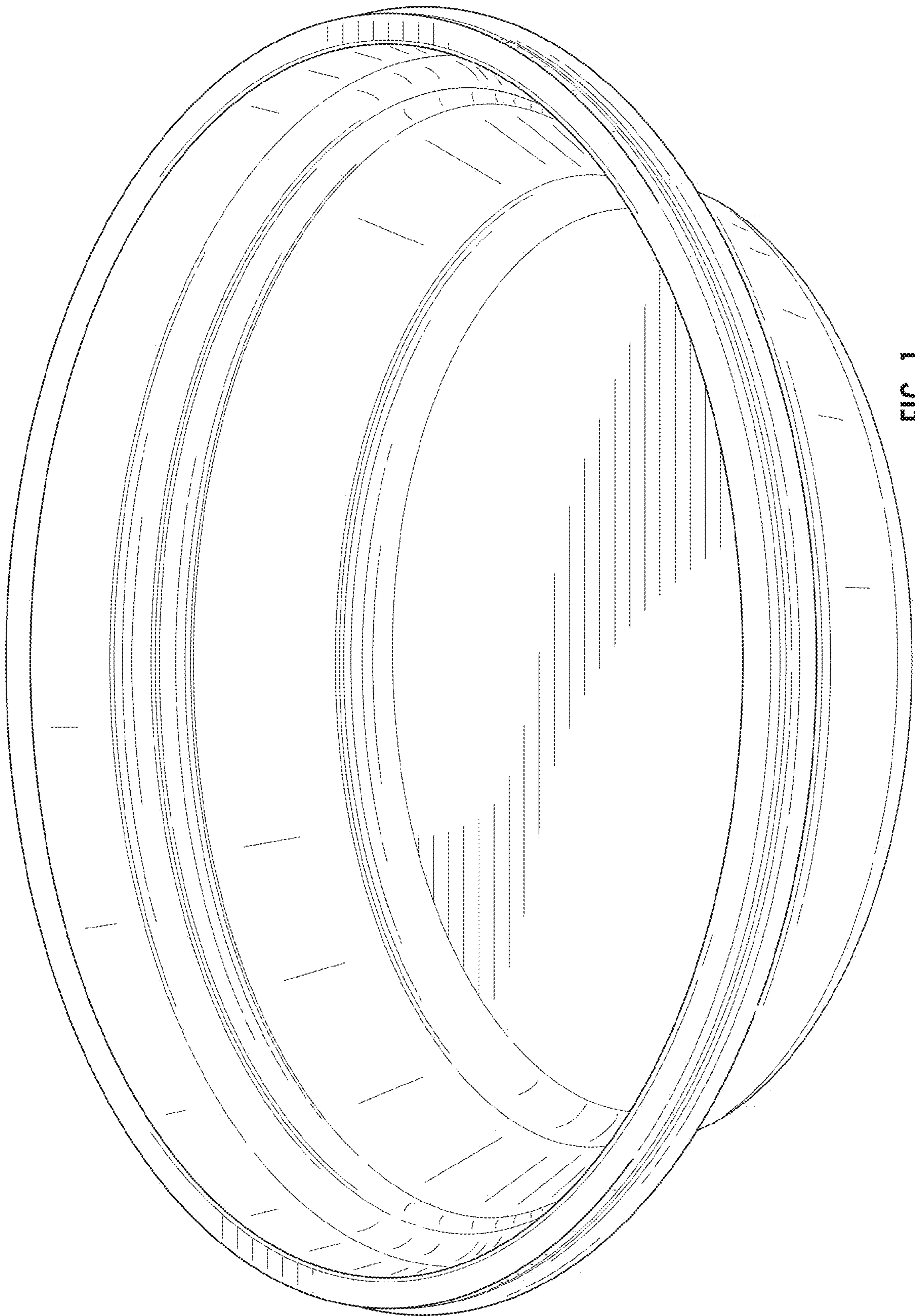


FIG. 1

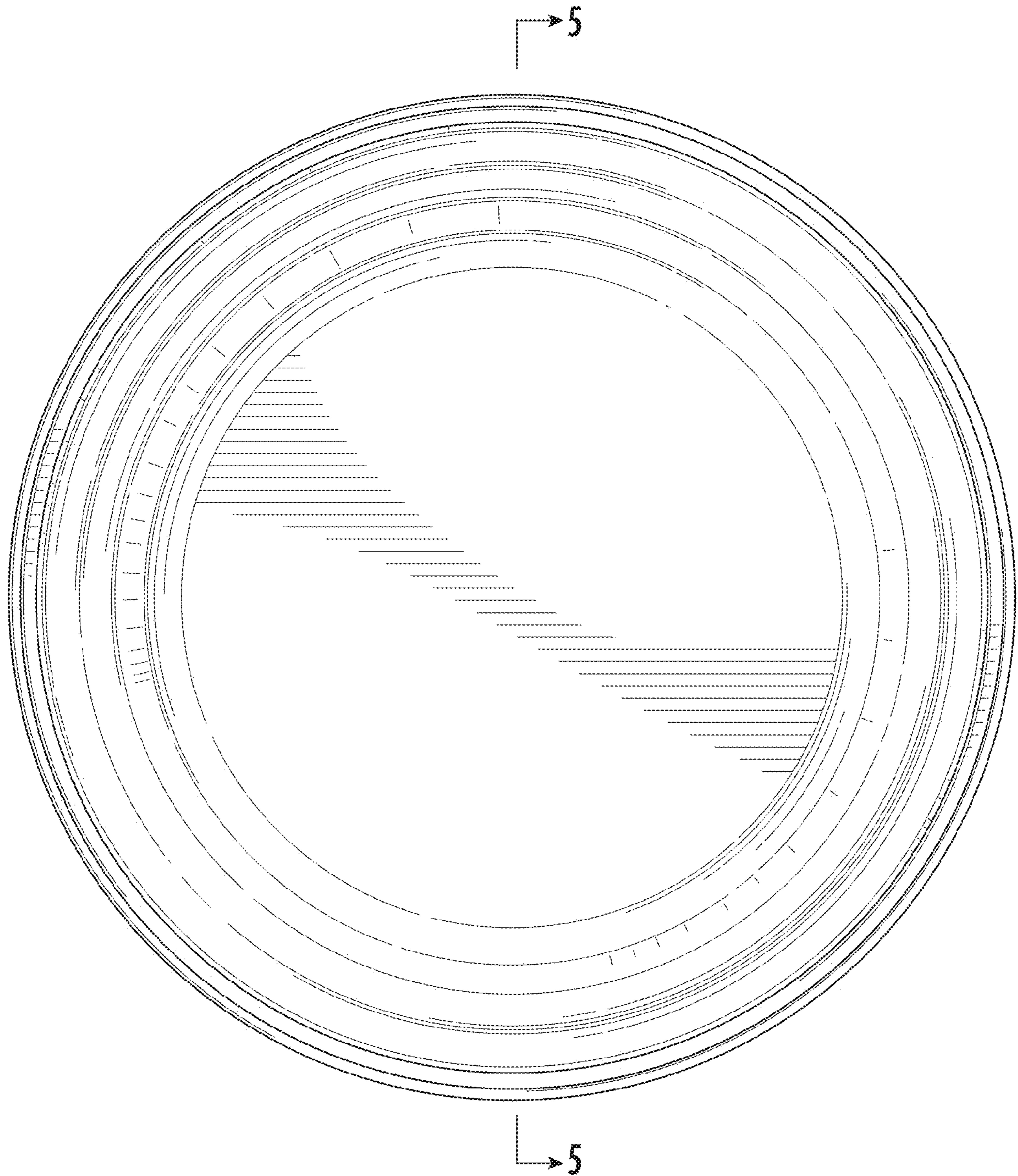


FIG. 2

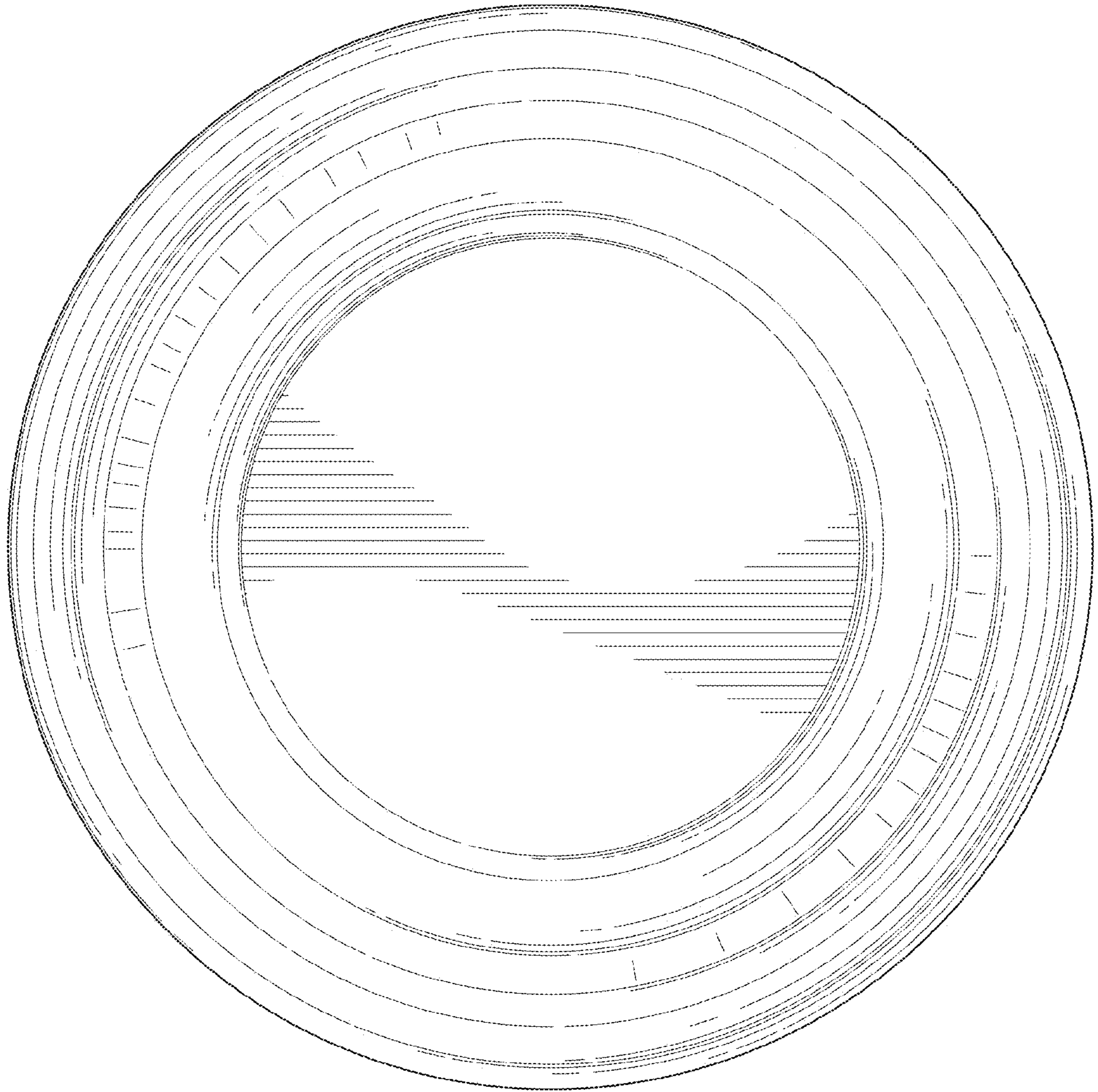


FIG. 3

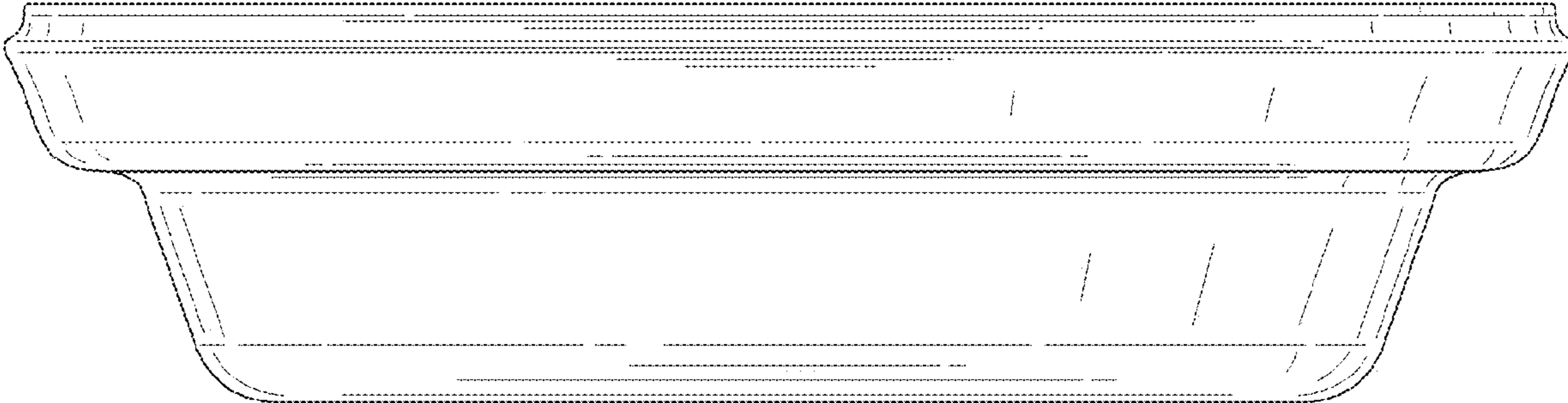


FIG. 4

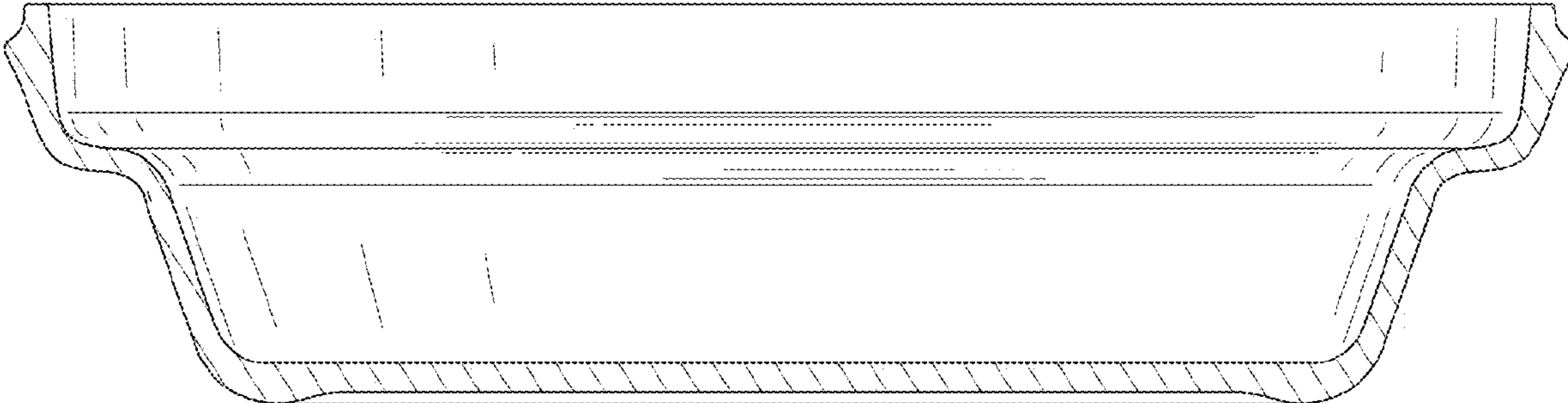


FIG. 5