



US00D878867S

(12) **United States Design Patent**
Gibson

(10) **Patent No.:** **US D878,867 S**

(45) **Date of Patent:** **** Mar. 24, 2020**

(54) **BEVERAGE CONTAINER**

(71) Applicant: **Tyler Allen Gibson**, Franklin, TN (US)

(72) Inventor: **Tyler Allen Gibson**, Franklin, TN (US)

(**) Term: **15 Years**

(21) Appl. No.: **29/697,618**

(22) Filed: **Jul. 10, 2019**

Related U.S. Application Data

(60) Continuation-in-part of application No. 29/654,330, filed on Jun. 22, 2018, which is a division of application No. 29/552,027, filed on Jan. 19, 2016, now Pat. No. Des. 821,145.

(51) **LOC (12) Cl.** **07-01**

(52) **U.S. Cl.**
USPC **D7/510**; D7/514; D7/515; D7/511;
D7/396.2; D8/21

(58) **Field of Classification Search**
USPC D7/507, 509, 510, 511, 523, 529, 531,
D7/532, 533, 535, 536, 508, 392.1, 396.2,
D7/387, 543, 514, 515; D8/33, 34, 22,
D8/21; 220/592.16, 592.17, 295.03, 718,
220/719; 81/3.43; D9/679
CPC .. B25B 13/52; B67B 7/00; B67B 7/14; B67B
7/16; A47G 19/22; A47G 19/2227; A45F
3/20

See application file for complete search history.

(56) **References Cited**

U.S. PATENT DOCUMENTS

1,516,240 A * 11/1924 Osterberg B25B 13/52
81/3.43
D177,575 S * 5/1956 Loulk D7/511
2,837,947 A * 6/1958 Handford B67B 7/184
81/3.25

D194,053 S * 11/1962 Cornelius D7/536
3,409,208 A * 11/1968 Eicholtz A47G 23/0216
220/743
4,130,215 A * 12/1978 Corey A47G 19/2205
220/719
D254,764 S * 4/1980 Werner D7/515
D269,147 S * 5/1983 Trombly D7/536
4,552,040 A * 11/1985 Bang B25B 13/52
81/3.43
4,750,388 A * 6/1988 Hagen B25B 27/0042
81/177.7
D300,195 S * 3/1989 Pitzer D7/533
D307,101 S * 4/1990 Anderson D8/22
D347,365 S * 5/1994 McKay D3/202
5,388,485 A 2/1995 Auble
D363,198 S 10/1995 Donaldson
D392,155 S * 3/1998 Joergensen D7/509
6,520,052 B1 * 2/2003 Saunders B25B 13/52
81/3.43
D529,342 S * 10/2006 Carreno D7/509

(Continued)

Primary Examiner — Jae Liang

(74) *Attorney, Agent, or Firm* — Lodestone Legal Group;
Jerome V. Sartain

(57) **CLAIM**

The ornamental design for a beverage container, as shown and described.

DESCRIPTION

FIG. 1 is a perspective view of a beverage container showing my new design;

FIG. 2 is a front view thereof;

FIG. 3 is a rear view thereof;

FIG. 4 is a right side view thereof;

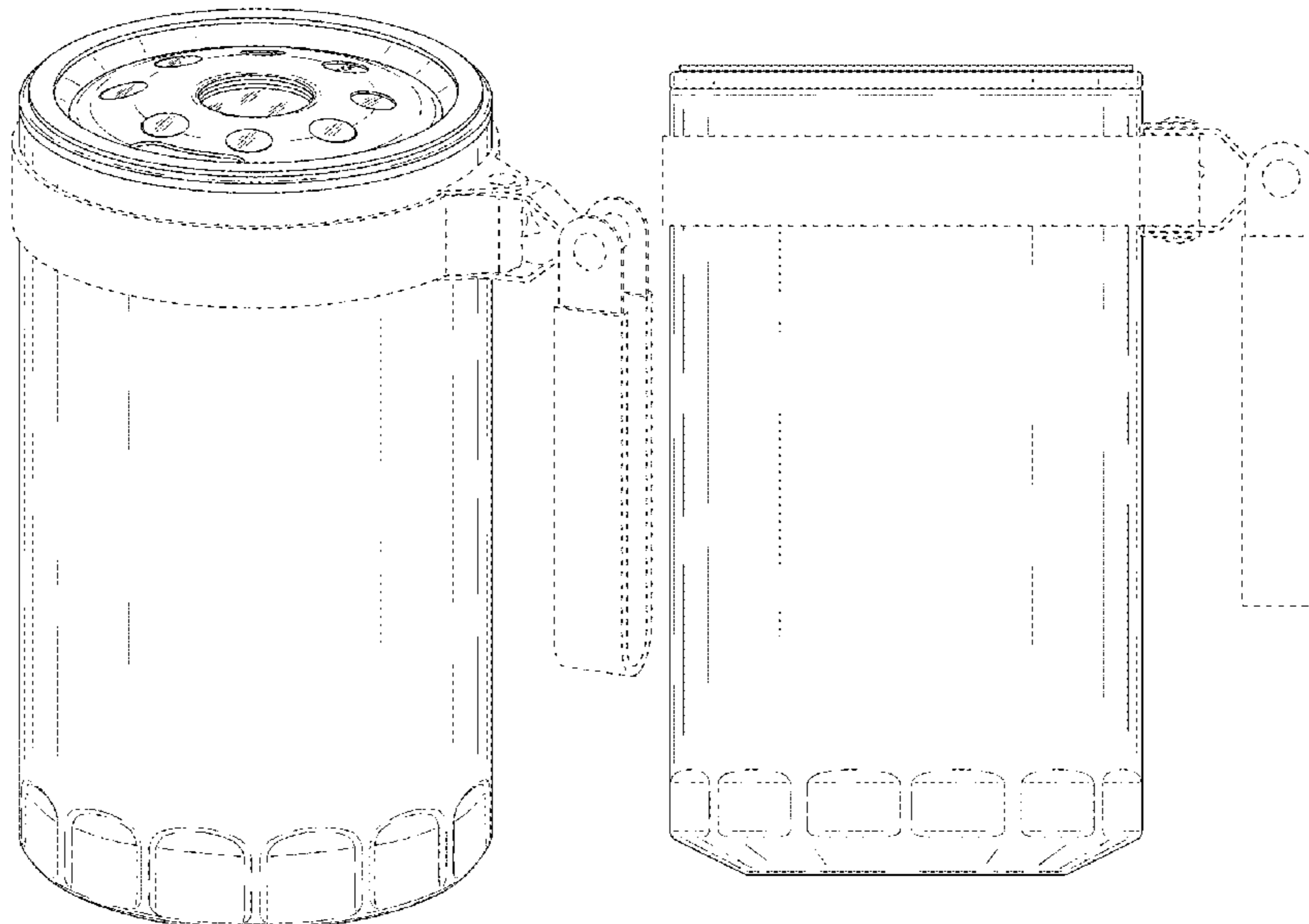
FIG. 5 is a left side view thereof;

FIG. 6 is a top view thereof; and,

FIG. 7 is a bottom view thereof.

The broken lines in the drawings depict portions of the beverage container that form no part of the claimed design.

1 Claim, 4 Drawing Sheets



(56)

References Cited

U.S. PATENT DOCUMENTS

D550,038 S * 9/2007 Trombly D7/509
D554,435 S * 11/2007 Carreno D7/531
D587,060 S * 2/2009 Tong Chi Chung D7/317
D600,978 S * 9/2009 Poindexter D7/533
D602,741 S * 10/2009 Xiurong D7/507
7,806,044 B2 * 10/2010 Lin A47G 19/2272
220/254.8
D633,157 S * 2/2011 Knapp D21/684
D652,681 S * 1/2012 Monugian D7/510
8,432,249 B2 * 4/2013 Bailey-VanKuren
A47G 19/2272
220/254.9
D685,226 S * 7/2013 Aylward D7/515
8,573,094 B2 11/2013 Pullen
8,578,821 B2 11/2013 Hulings et al.
D694,577 S * 12/2013 Lynn D21/684
D702,474 S * 4/2014 Scherer D7/300.1
D740,608 S * 10/2015 Apel D7/515
D792,159 S 7/2017 Gibson
D811,161 S * 2/2018 Boroski D7/394
D813,605 S * 3/2018 Seiders D7/532
D821,145 S * 6/2018 Gibson D7/510
D831,428 S * 10/2018 Gibson D7/533
D859,079 S * 9/2019 Boroski D7/510

* cited by examiner

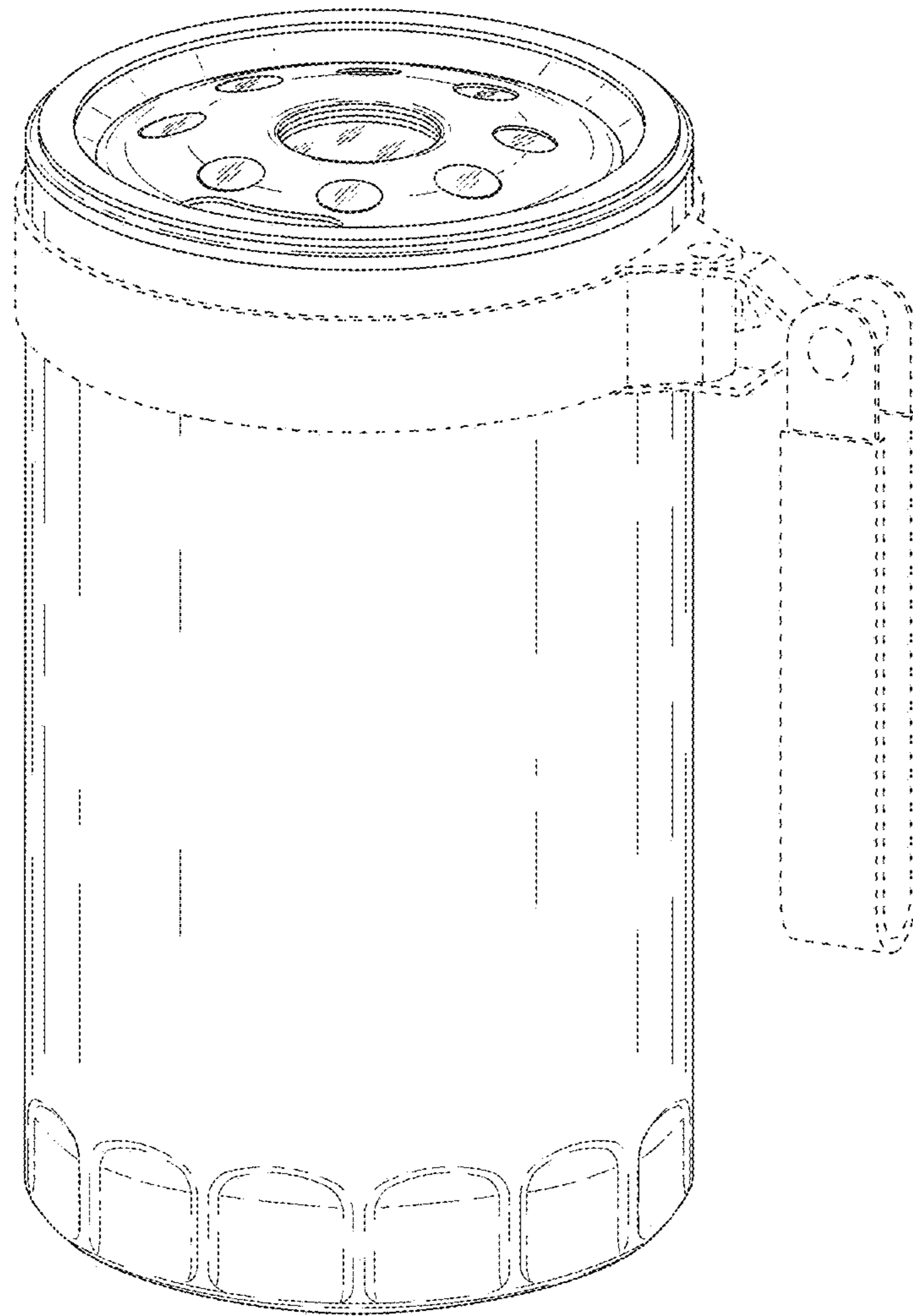


Fig. 1

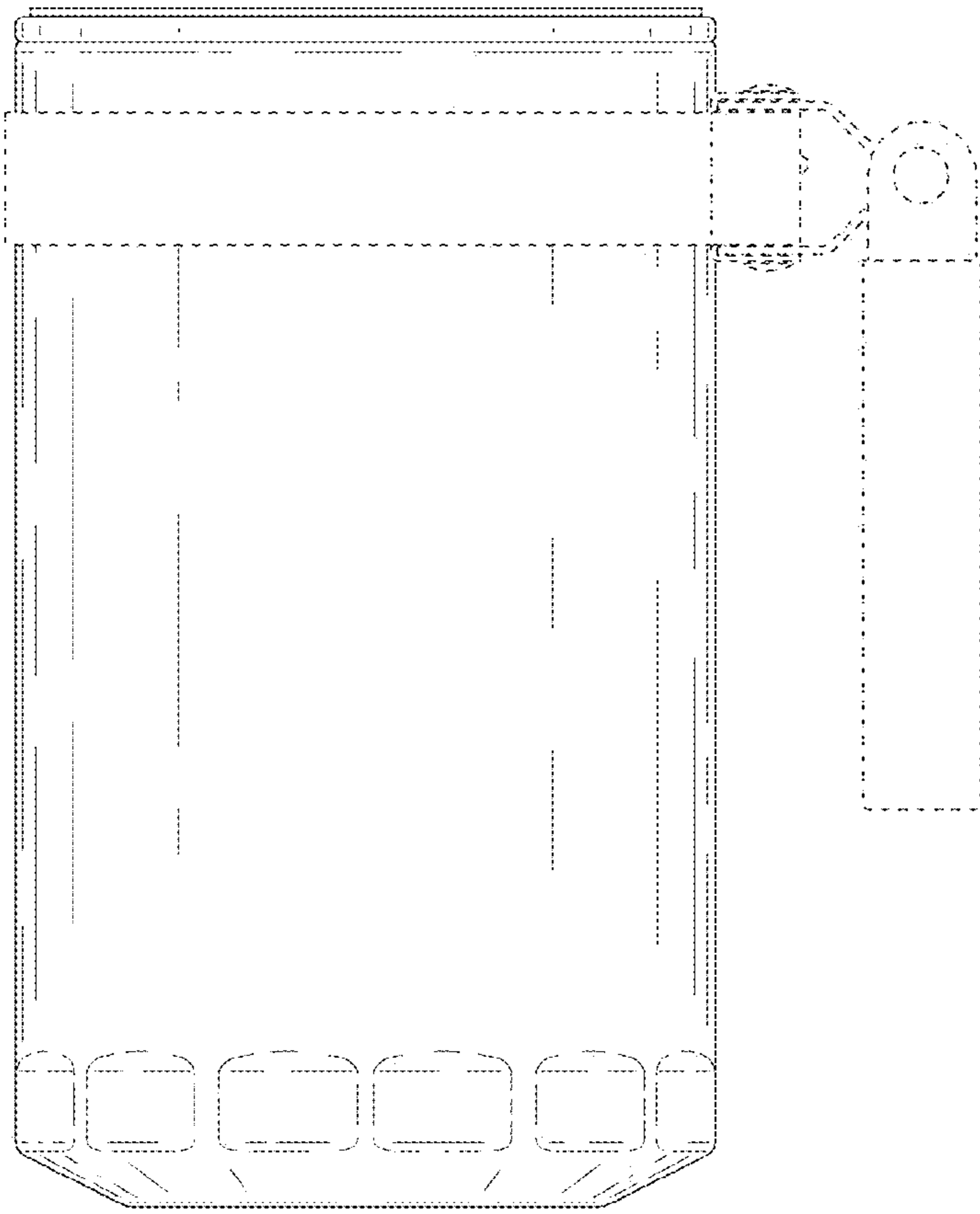


Fig. 2

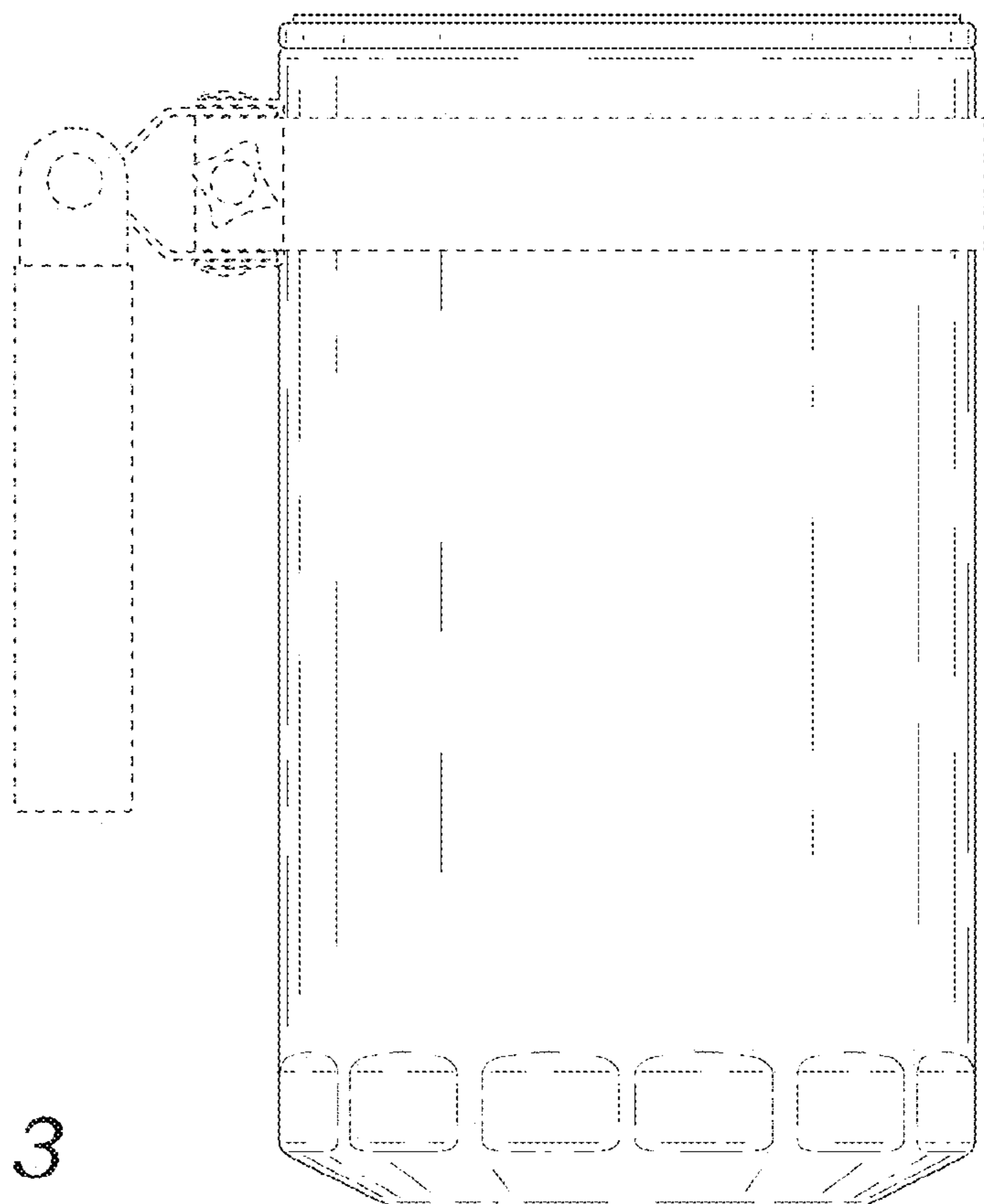


Fig. 3

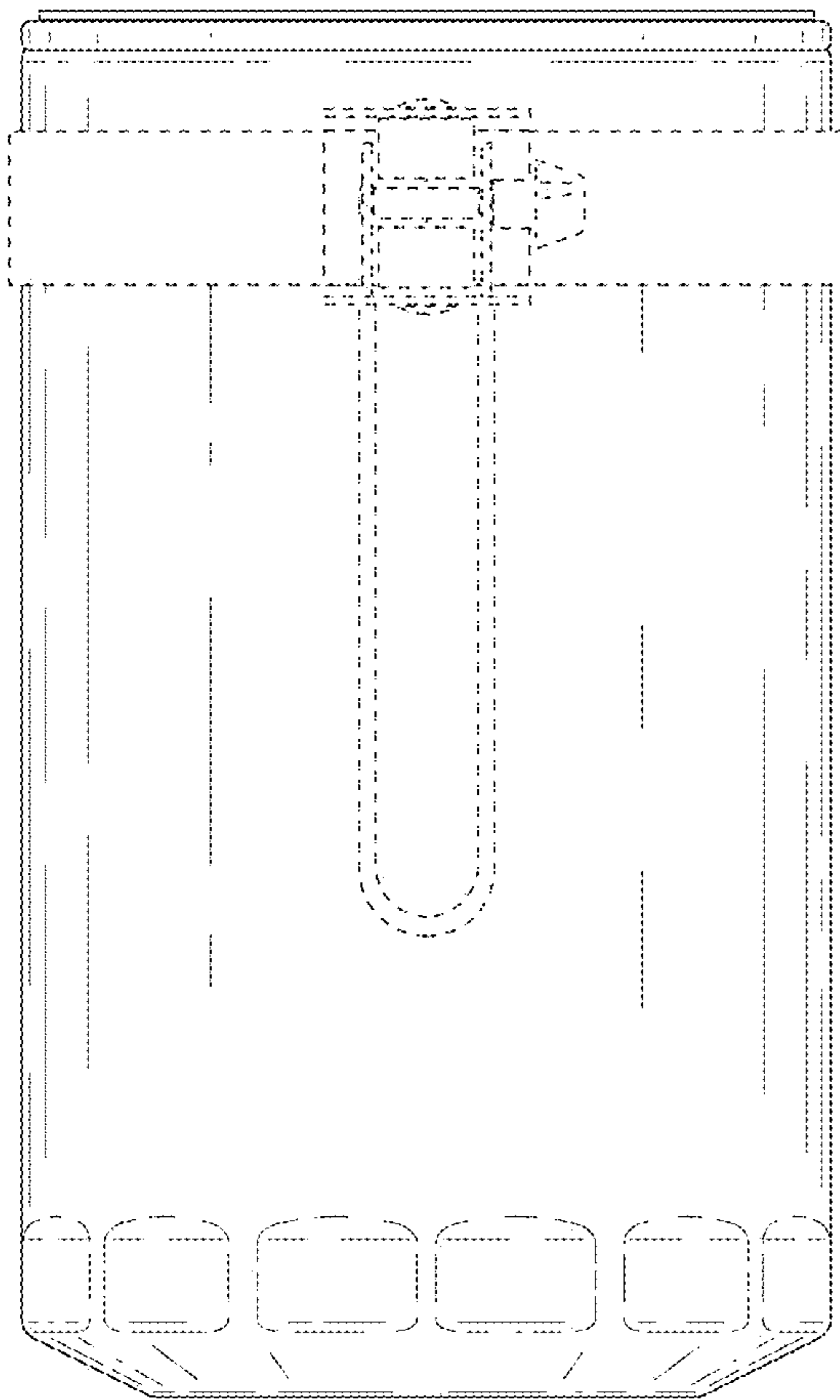


Fig. 4

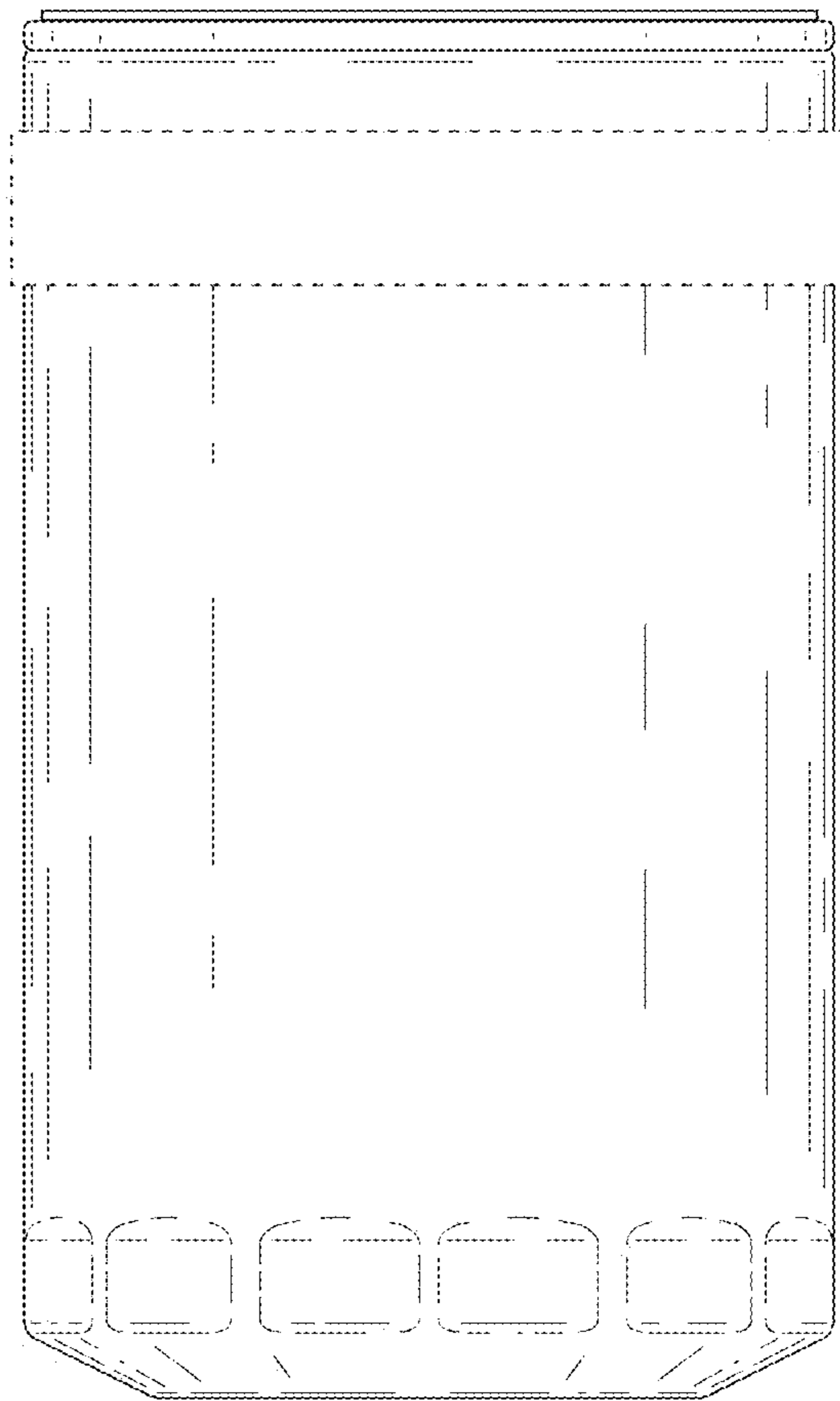


Fig. 5

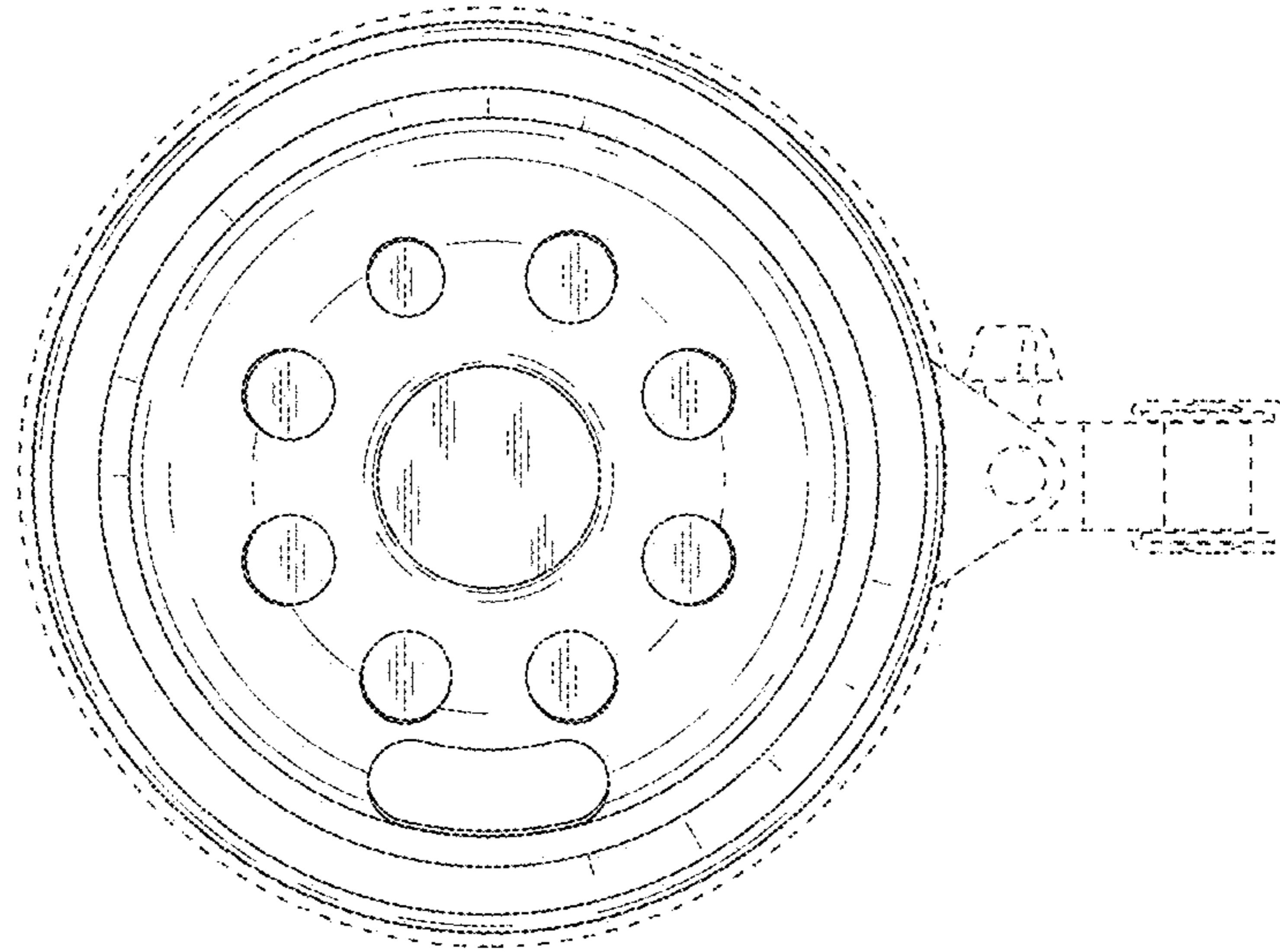


Fig. 6

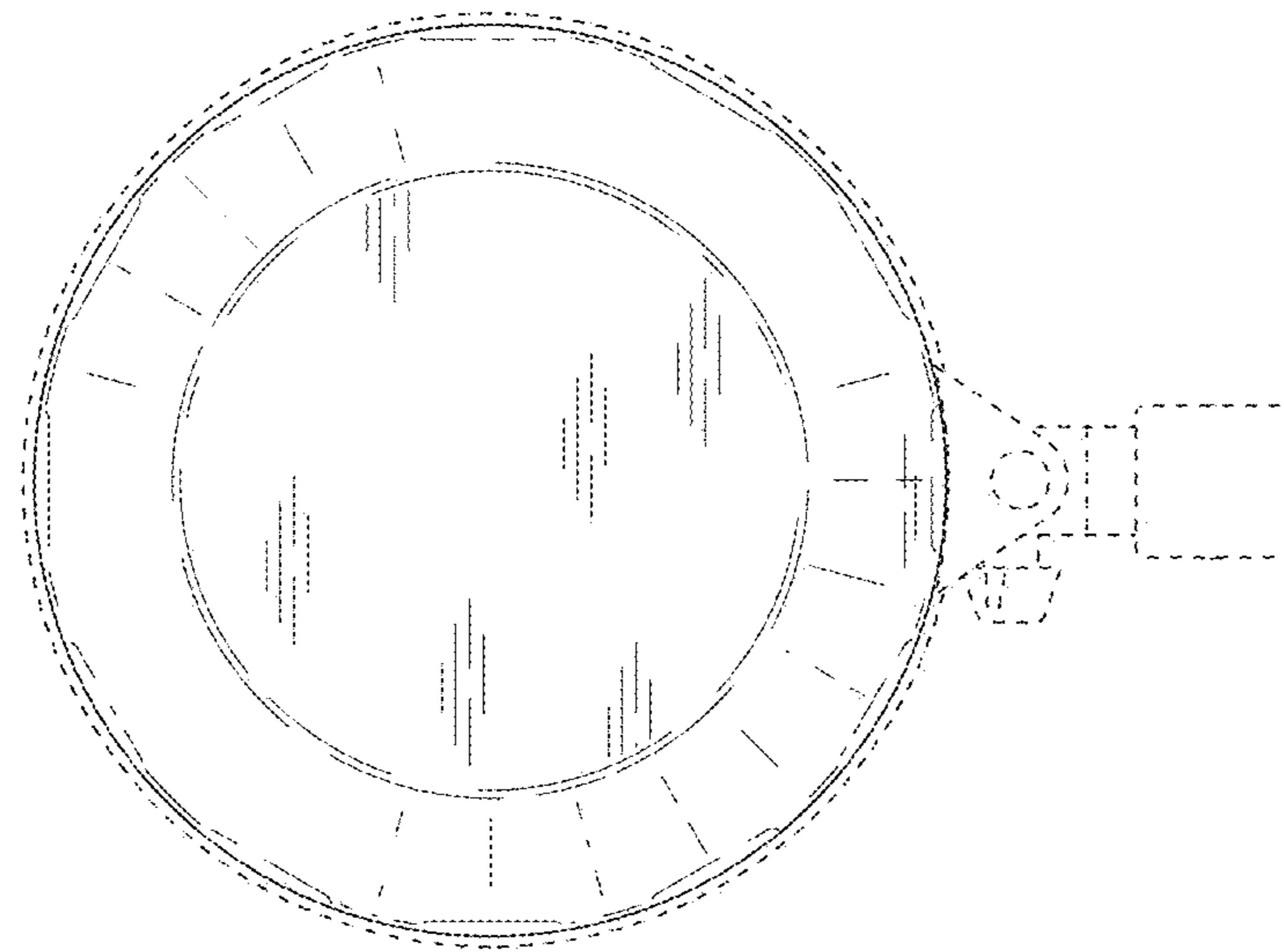


Fig. 7