



US00D878866S

(12) **United States Design Patent**
Cheng

(10) **Patent No.:** **US D878,866 S**

(45) **Date of Patent:** **** Mar. 24, 2020**

(54) **CONTAINER**

(71) Applicant: **Zhejiang Haoda Science & Technology Co., Ltd, Jinhua (CN)**

(72) Inventor: **Haojun Cheng, Jinhua (CN)**

(73) Assignee: **ZHEJIANG HAODA SCIENCE & TECHNOLOGY CO., LTD, Jinhua (CN)**

(**) Term: **15 Years**

(21) Appl. No.: **29/667,179**

(22) Filed: **Oct. 19, 2018**

(30) **Foreign Application Priority Data**

Sep. 30, 2018 (CN) 2018 3 0553892

(51) **LOC (12) Cl.** **07-01**

(52) **U.S. Cl.**
USPC **D7/510**

(58) **Field of Classification Search**
USPC D7/510, 511, 608, 300.1, 591, 392.1,
D7/396.2, 533-536; D9/516, 523, 525,
D9/527, 528, 564
CPC A47G 19/22; A47G 19/2205; A47G
19/2222; A45F 3/16; B65D 41/04; B65D
43/02; B65D 47/066; B65D 47/08
See application file for complete search history.

(56) **References Cited**

U.S. PATENT DOCUMENTS

- D398,479 S * 9/1998 Vultaggio D7/511
- D443,825 S * 6/2001 Goettner D9/530
- D447,697 S * 9/2001 Schultz D9/542
- D449,001 S * 10/2001 Boussiquet D9/539
- D492,546 S * 7/2004 Bodum D7/510
- D661,194 S * 6/2012 Gardela D9/516

- D682,034 S * 5/2013 El-Saden D7/510
- D729,569 S * 5/2015 Herbst D7/392
- D805,853 S * 12/2017 Waskow D7/608
- D808,713 S * 1/2018 Rane D7/396.2
- D816,411 S * 5/2018 Stover D7/510
- D818,317 S * 5/2018 Fu D7/510
- D818,774 S * 5/2018 Stover D7/510
- D836,983 S * 1/2019 Jacob D7/510
- D838,549 S * 1/2019 Gu D7/510
- D853,195 S * 7/2019 Chen D7/511
- D853,791 S * 7/2019 Gispert D7/510
- 2014/0048511 A1 * 2/2014 El-Saden A45F 3/16
215/389
- 2015/0173539 A1 * 6/2015 Mason A47G 19/2272
220/707
- 2016/0207672 A1 * 7/2016 Wong B65D 43/0225

* cited by examiner

Primary Examiner — Derrick E Holland

Assistant Examiner — Andrew Kerr

(57) **CLAIM**

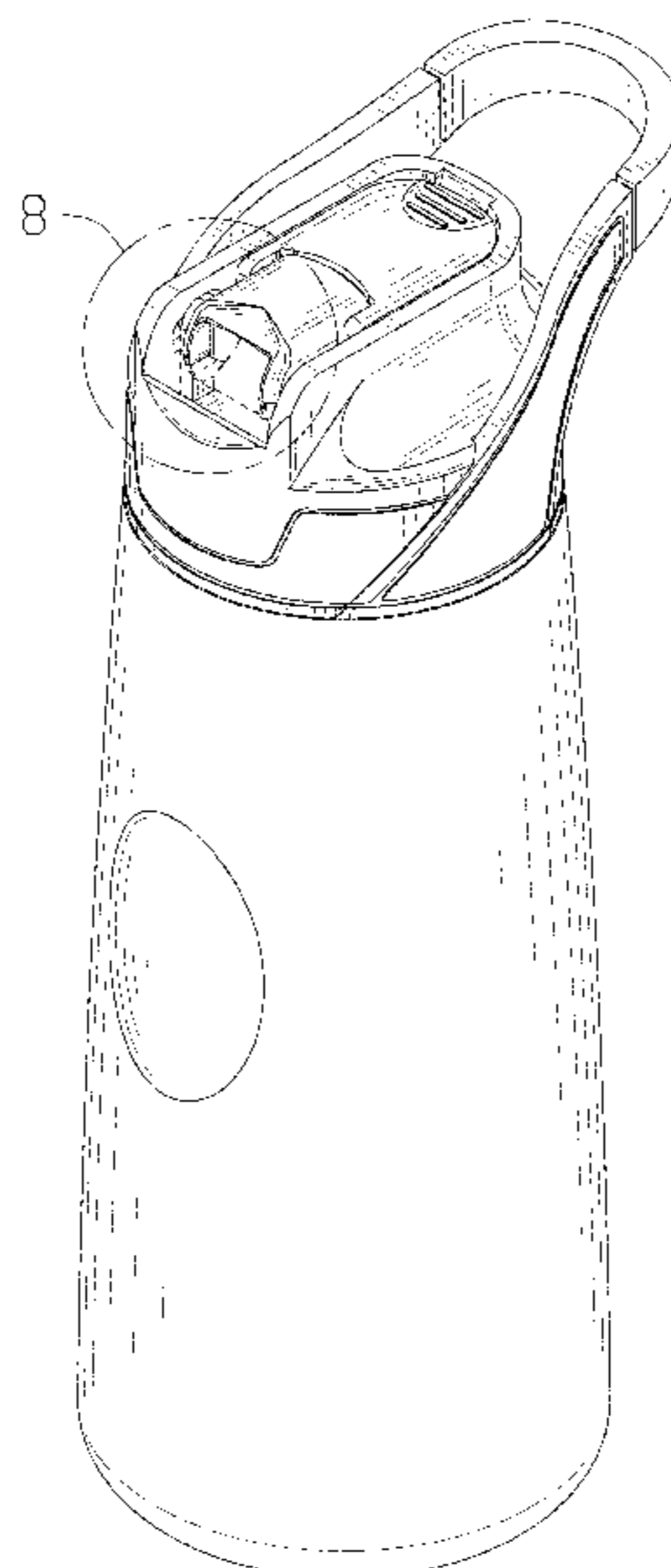
The ornamental design for a container, as shown and described.

DESCRIPTION

FIG. 1 is a right, front, top perspective view of a container showing my new design;
FIG. 2 is a front elevational view thereof;
FIG. 3 is a rear elevational view thereof;
FIG. 4 is a left side elevational view thereof;
FIG. 5 is a right side elevational view thereof;
FIG. 6 is a top plan view thereof;
FIG. 7 is a bottom plan view thereof; and,
FIG. 8 is an enlarged view of circled portion 8 in FIG. 1 thereof.

The broken lines in FIGS. 1 and 8 designating the detailed enlarged view form no part of the claimed design. The remaining broken lines represent the portions of the container that form no part of the claimed design.

1 Claim, 8 Drawing Sheets



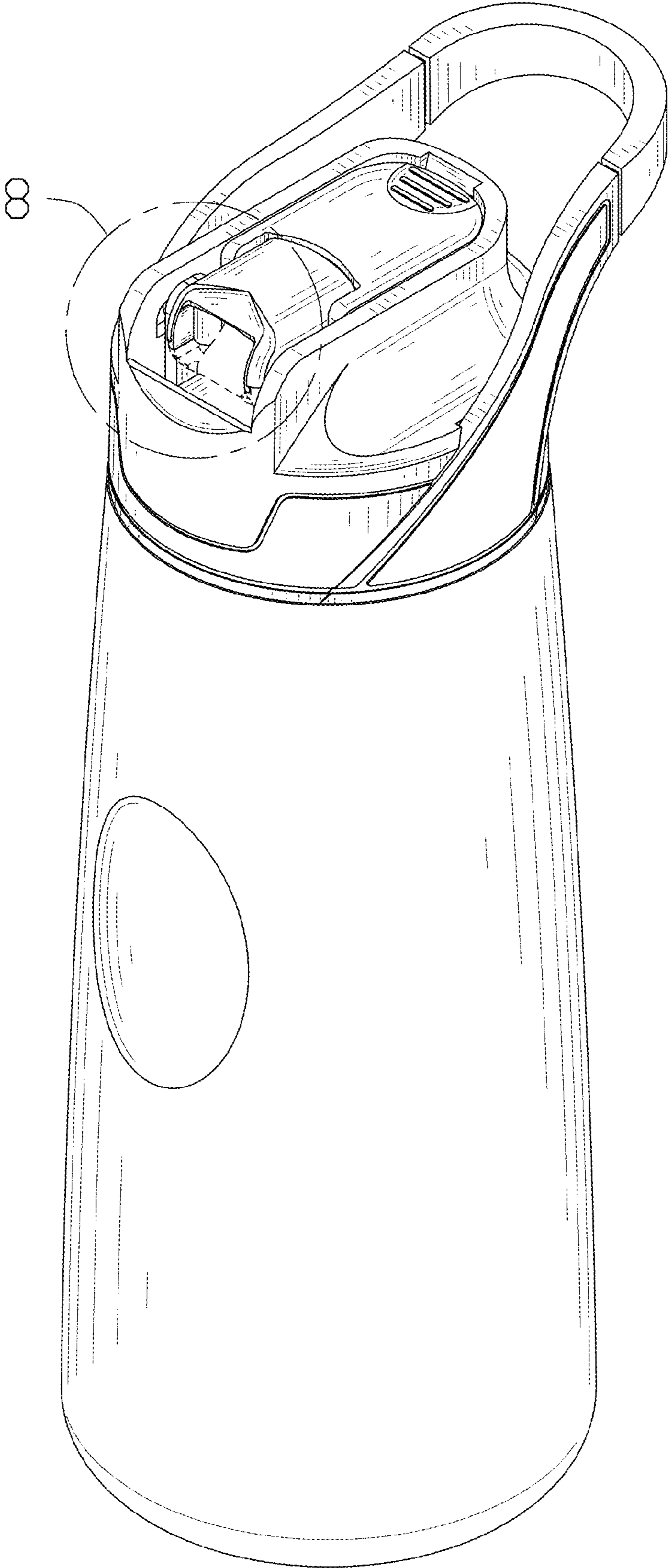


FIG. 1

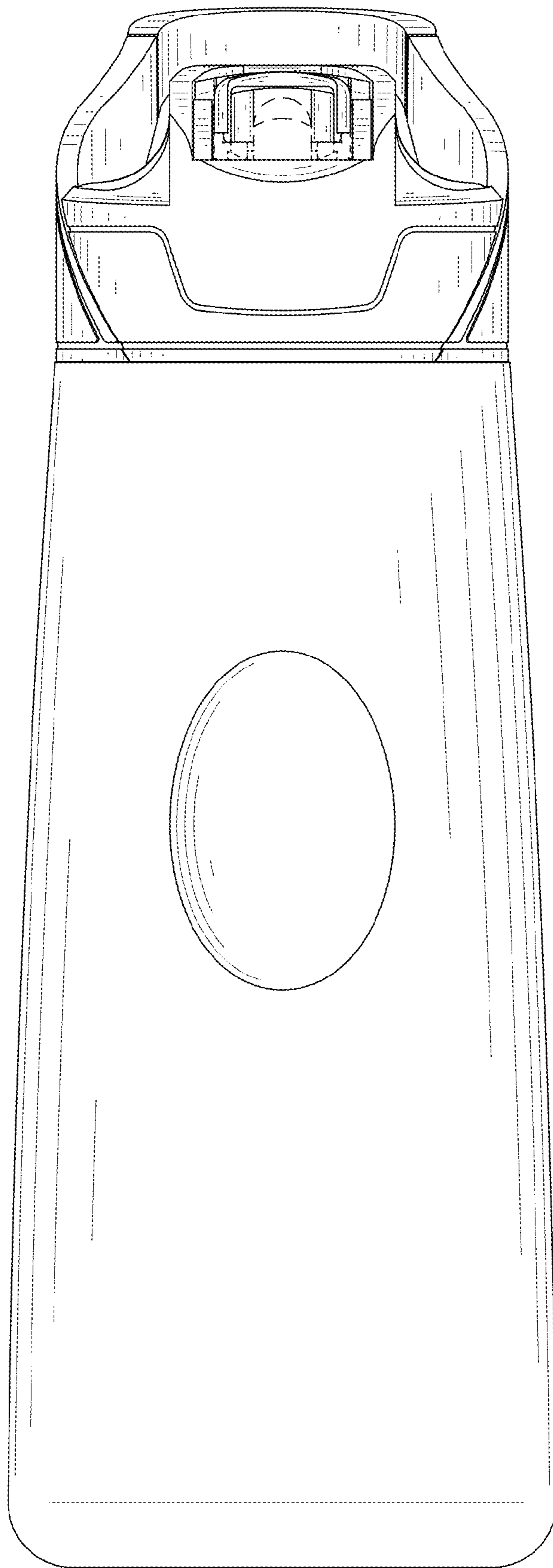


FIG. 2

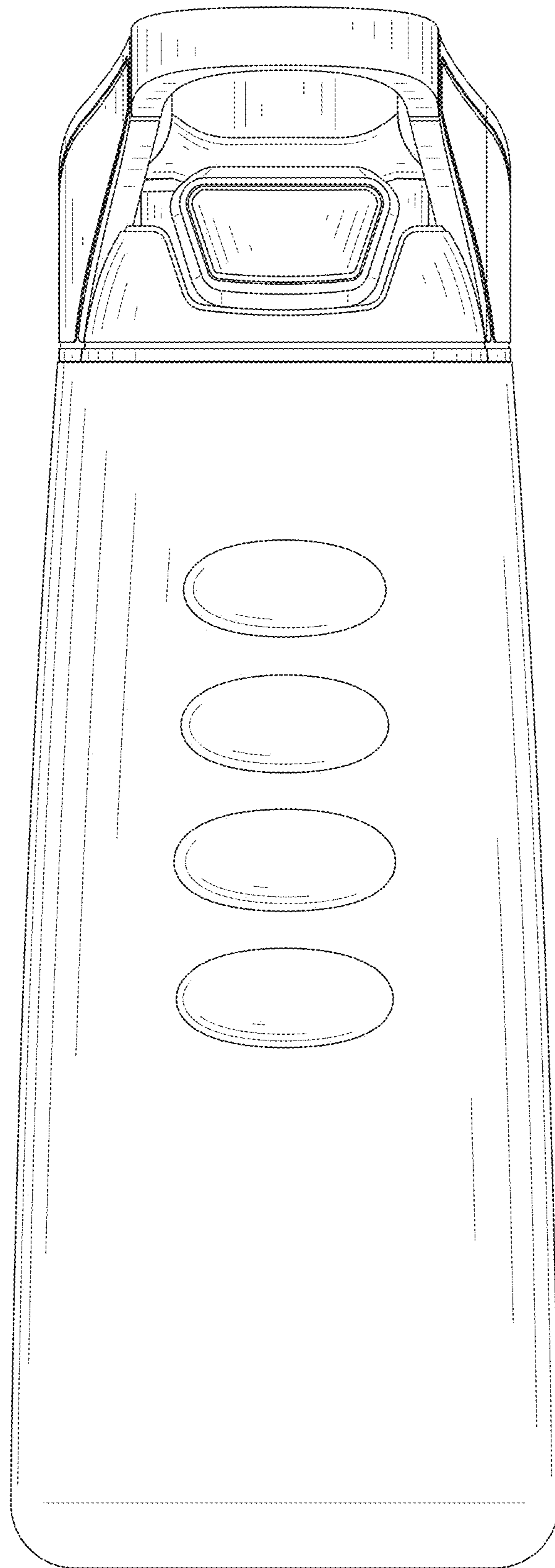


FIG. 3

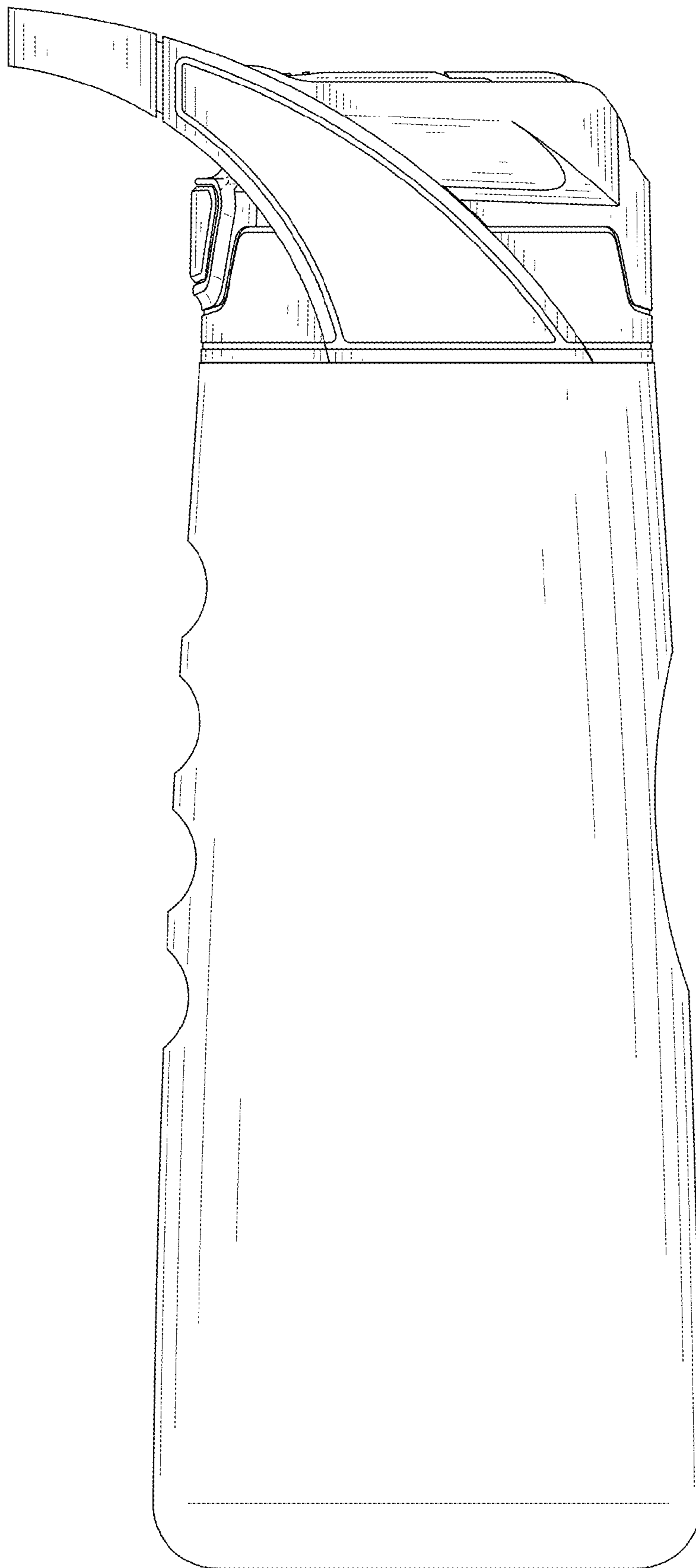


FIG. 4



FIG. 5

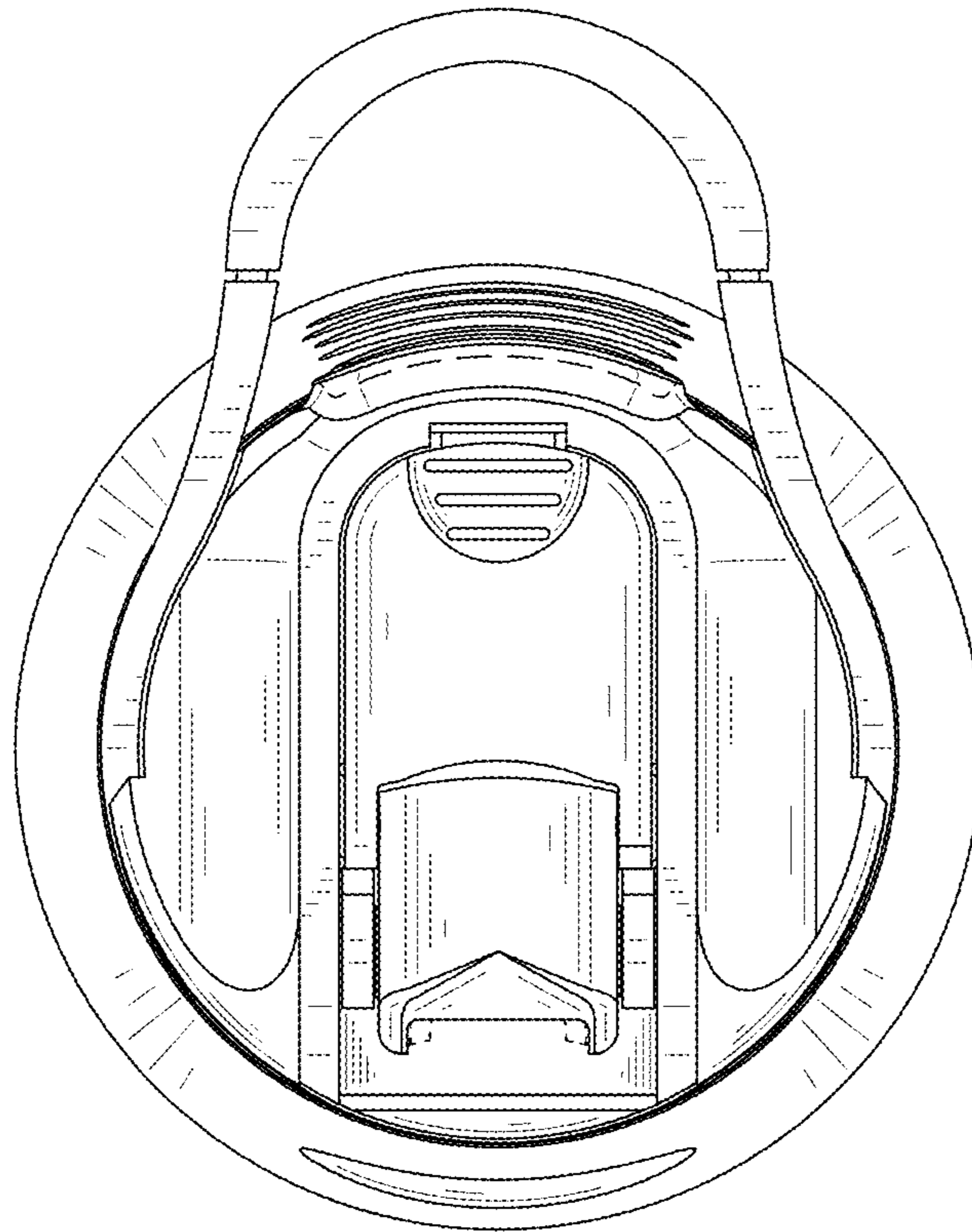


FIG. 6

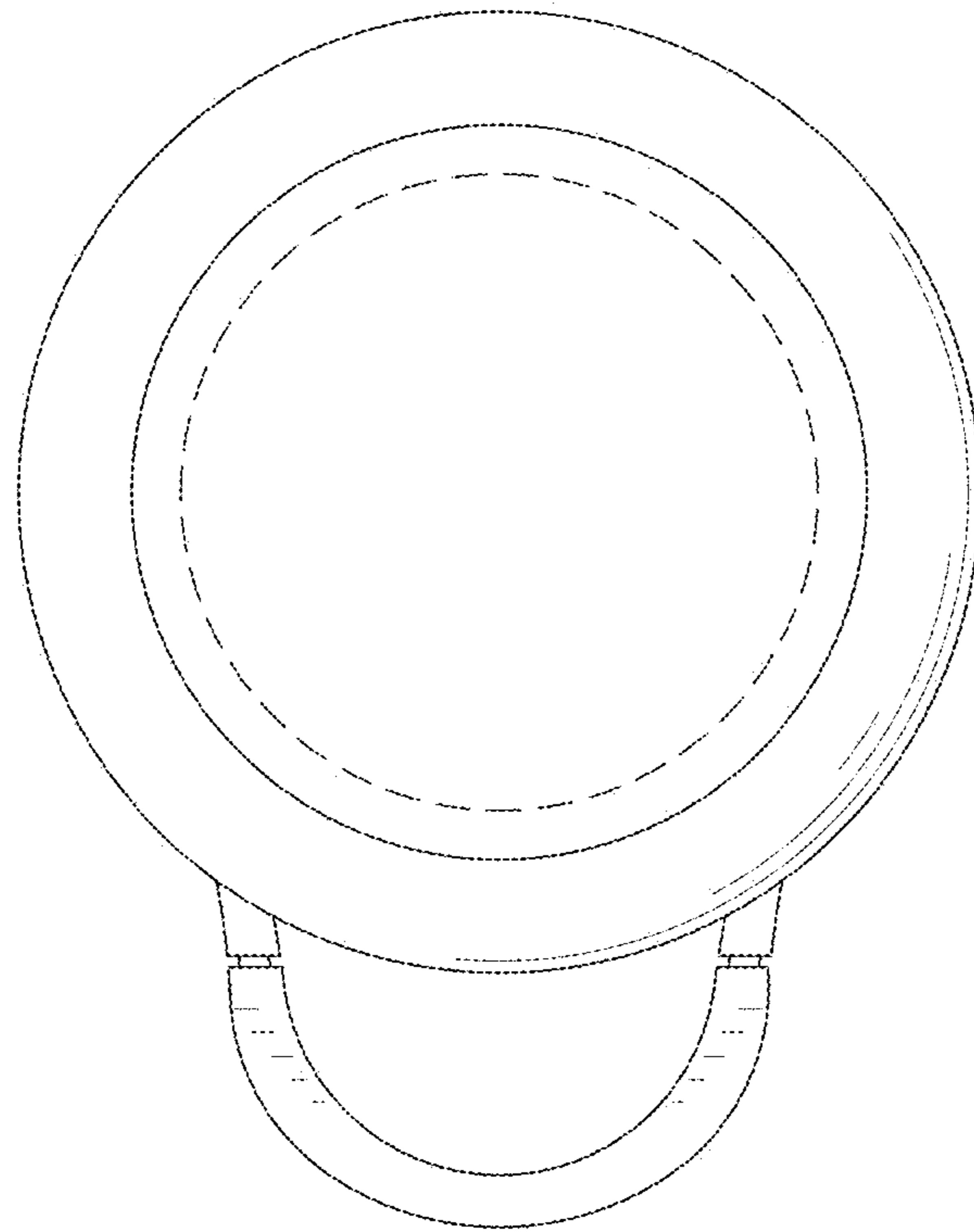


FIG. 7

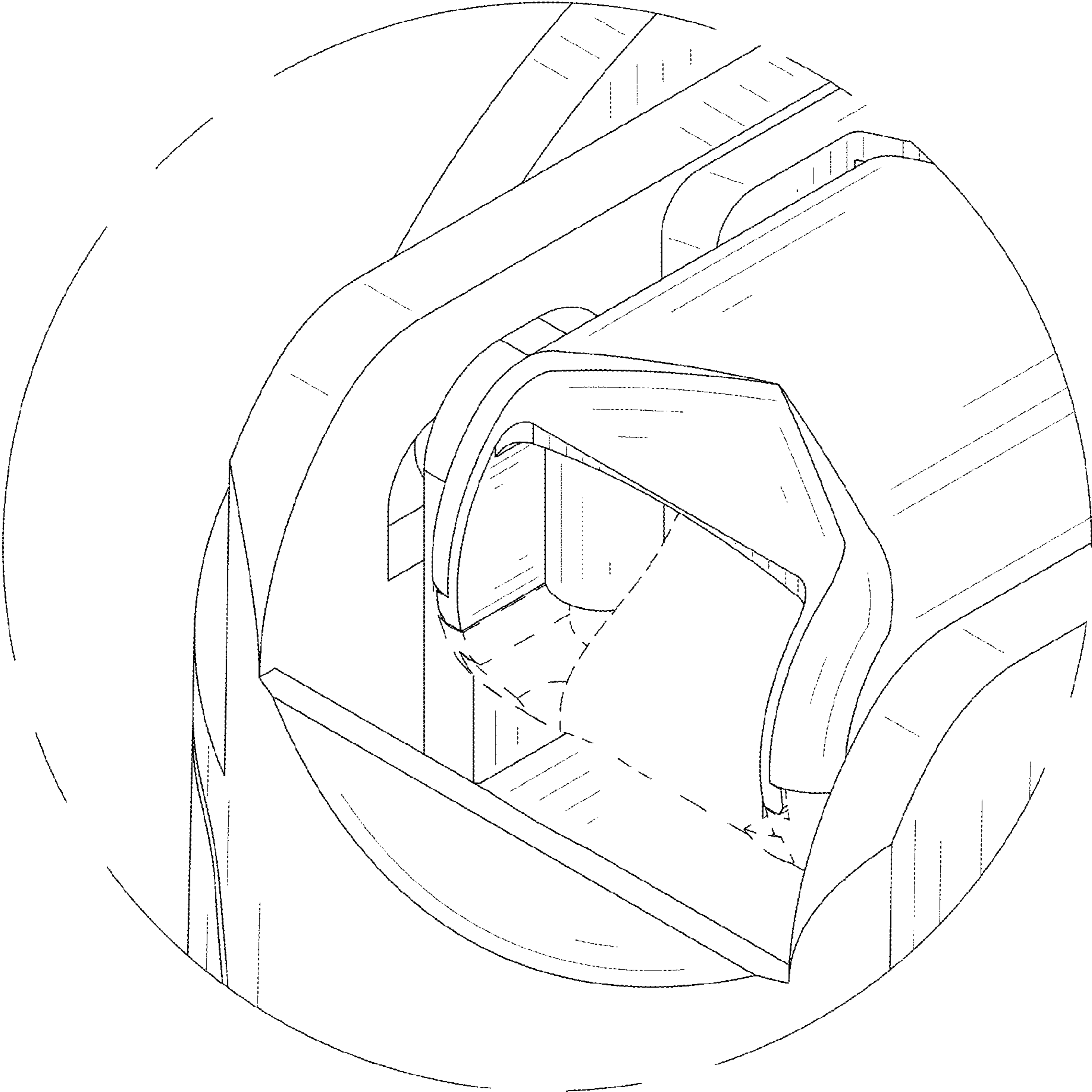


FIG. 8