



US00D878865S

(12) **United States Design Patent**  
**Gibson**

(10) **Patent No.:** **US D878,865 S**  
(45) **Date of Patent:** **\*\* Mar. 24, 2020**

- (54) **BEVERAGE CONTAINER**
- (71) Applicant: **Tyler Allen Gibson**, Franklin, TN (US)
- (72) Inventor: **Tyler Allen Gibson**, Franklin, TN (US)
- (\*\*) Term: **15 Years**
- (21) Appl. No.: **29/654,330**
- (22) Filed: **Jun. 22, 2018**

**Related U.S. Application Data**

- (62) Division of application No. 29/552,027, filed on Jan. 19, 2016.
- (51) **LOC (12) Cl.** ..... **07-01**
- (52) **U.S. Cl.**  
USPC ..... **D7/510**; D7/514; D7/515; D7/511;  
D7/396.2; D8/21
- (58) **Field of Classification Search**  
USPC ..... D7/507, 509, 510, 511, 523, 529, 531,  
D7/532, 533, 535, 536, 508, 392.1, 396.2,  
D7/387, 543, 514, 515; D8/33, 34, 22,  
D8/21; 220/592.16, 592.17, 295.03, 718,  
220/719; 81/3.43; D9/679  
CPC .. B25B 13/52; B67B 7/00; B67B 7/14; B67B  
7/16; A47G 19/22; A47G 19/2227; A45F  
3/20

See application file for complete search history.

(56) **References Cited**

**U.S. PATENT DOCUMENTS**

- 1,516,240 A \* 11/1924 Osterberg ..... B25B 13/52  
81/3.43
- D177,575 S \* 5/1956 Loulk ..... D7/511
- 2,837,947 A \* 6/1958 Handford ..... B67B 7/184  
81/3.25
- D194,053 S \* 11/1962 Cornelius ..... D7/536
- 3,409,208 A \* 11/1968 Eicholtz ..... A47G 23/0216  
220/743

- 4,130,215 A \* 12/1978 Corey ..... A47G 19/2205  
220/719
- D254,764 S \* 4/1980 Werner ..... D7/515
- D269,147 S \* 5/1983 Trombly ..... D7/536
- 4,552,040 A \* 11/1985 Bang ..... B25B 13/52  
81/3.43
- 4,750,388 A \* 6/1988 Hagen ..... B25B 27/0042  
81/177.7
- D300,195 S \* 3/1989 Pitzer ..... D7/533
- D307,101 S \* 4/1990 Anderson ..... D8/22
- D347,365 S \* 5/1994 McKay ..... D3/202
- 5,388,485 A 2/1995 Auble
- D363,198 S 10/1995 Donaldson
- D392,155 S \* 3/1998 Joergensen ..... D7/509
- 6,520,052 B1 \* 2/2003 Saunders ..... B25B 13/52  
81/3.43
- D529,342 S \* 10/2006 Carreno ..... D7/509
- D550,038 S \* 9/2007 Trombly ..... D7/509
- D554,435 S \* 11/2007 Carreno ..... D7/531

(Continued)

*Primary Examiner* — Jae Liang

(74) *Attorney, Agent, or Firm* — Lodestone Legal Group;  
Jerome V. Sartain

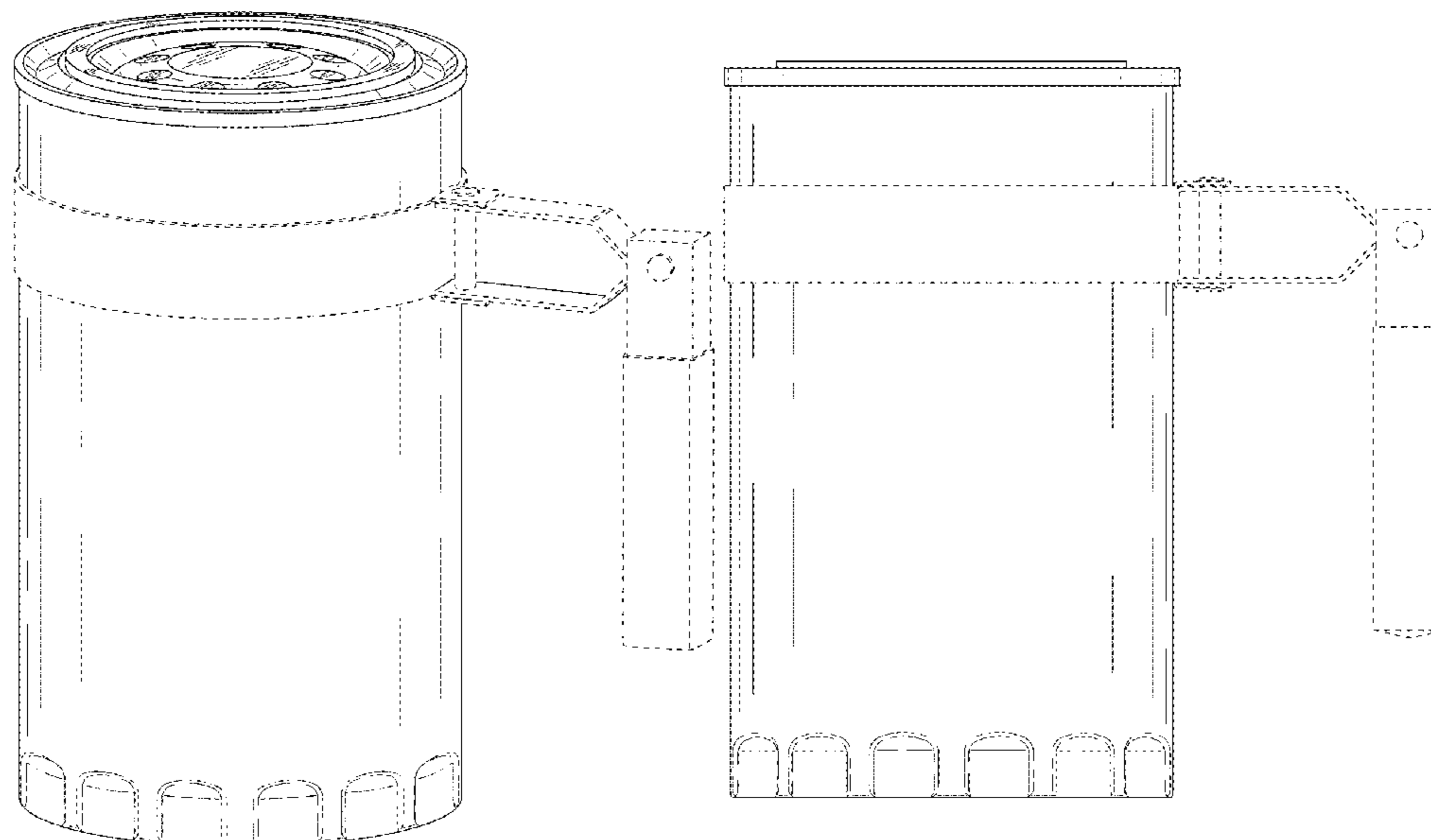
(57) **CLAIM**

The ornamental design for a beverage container, as shown and described.

**DESCRIPTION**

FIG. 1 is a perspective view of a beverage container showing my new design;  
 FIG. 2 is a front view thereof;  
 FIG. 3 is a rear view thereof;  
 FIG. 4 is a left side view thereof;  
 FIG. 5 is a right side view thereof;  
 FIG. 6 is a top view thereof; and,  
 FIG. 7 is a bottom view thereof.  
 The broken lines in the drawings depict portions of the beverage container that form no part of the claimed design.

**1 Claim, 4 Drawing Sheets**



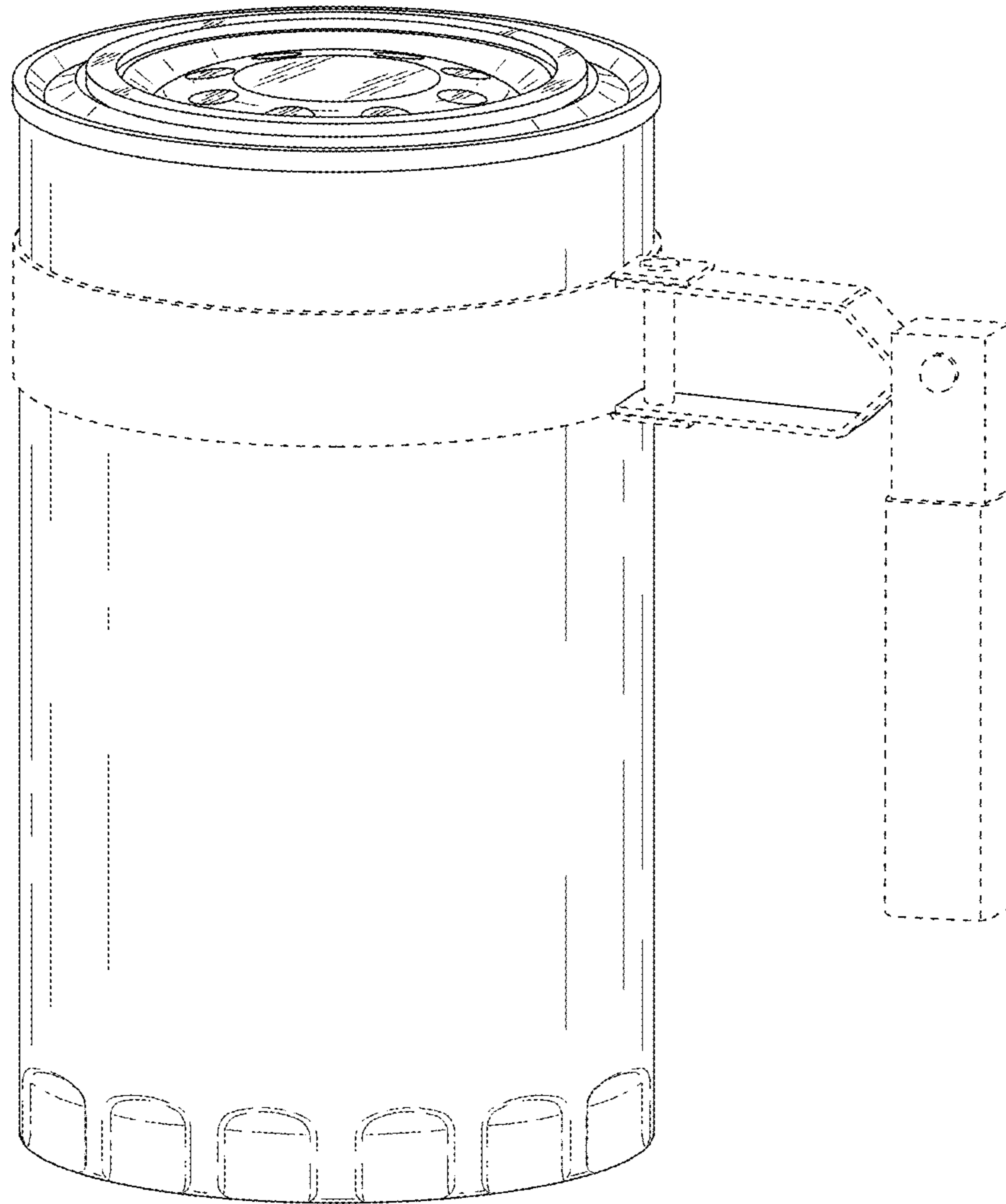
(56)

**References Cited**

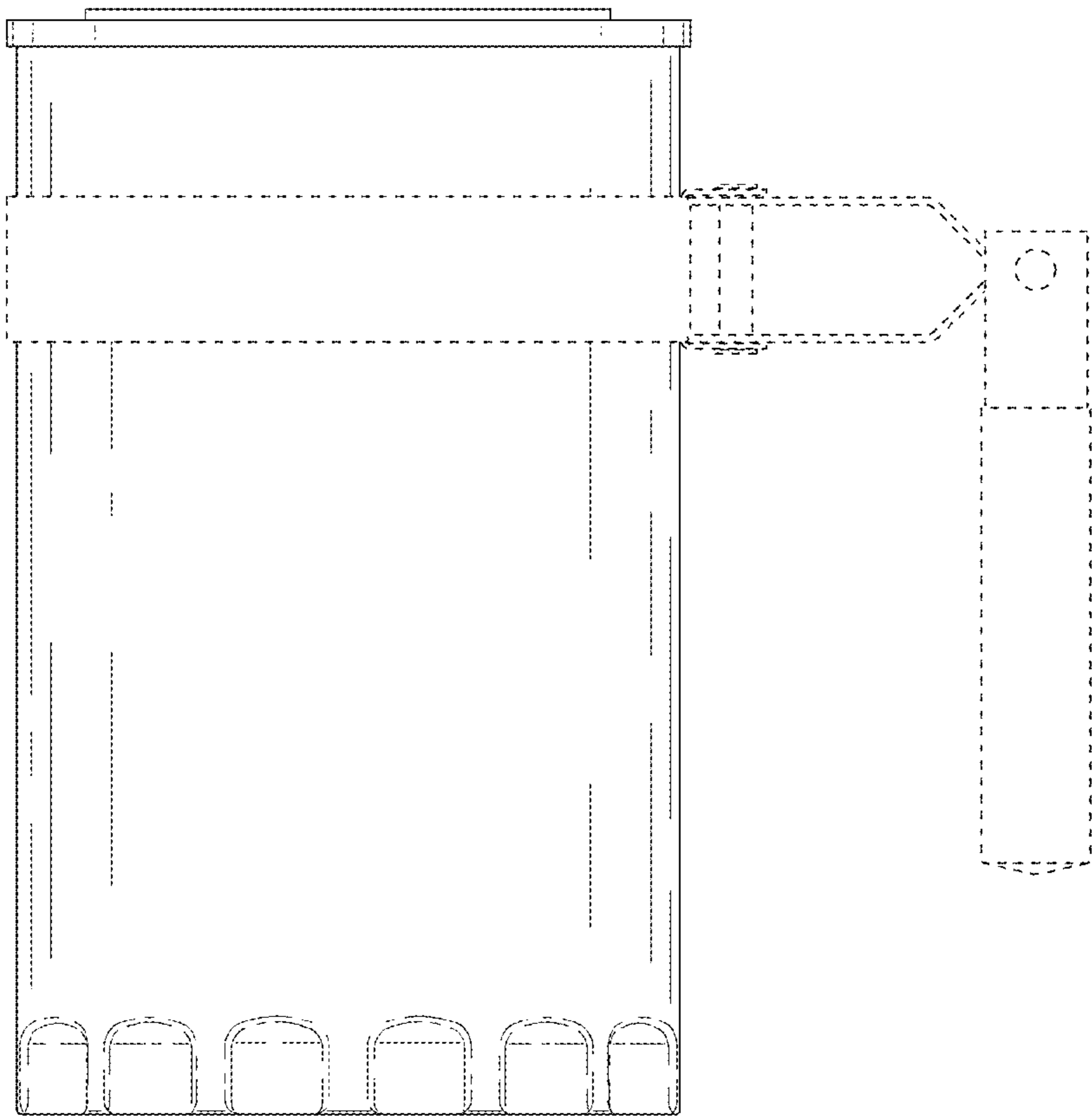
## U.S. PATENT DOCUMENTS

D587,060 S \* 2/2009 Tong Chi Chung ..... D7/317  
D600,978 S \* 9/2009 Poindexter ..... D7/533  
D602,741 S \* 10/2009 Xiurong ..... D7/507  
7,806,044 B2 \* 10/2010 Lin ..... A47G 19/2272  
220/254.8  
D633,157 S \* 2/2011 Knapp ..... D21/684  
D652,681 S \* 1/2012 Monugian ..... D7/510  
8,432,249 B2 \* 4/2013 Bailey-VanKuren .....  
A47G 19/2272  
220/254.9  
D685,226 S \* 7/2013 Aylward ..... D7/515  
8,573,094 B2 11/2013 Pullen  
8,578,821 B2 11/2013 Hulings et al.  
D694,577 S \* 12/2013 Lynn ..... D21/684  
D702,474 S \* 4/2014 Scherer ..... D7/300.1  
D740,608 S \* 10/2015 Apel ..... D7/515  
D811,161 S \* 2/2018 Boroski ..... D7/394  
D813,605 S \* 3/2018 Seiders ..... D7/532  
D821,145 S \* 6/2018 Gibson ..... D7/510  
D831,428 S \* 10/2018 Gibson ..... D7/533  
D859,079 S \* 9/2019 Boroski ..... D7/510

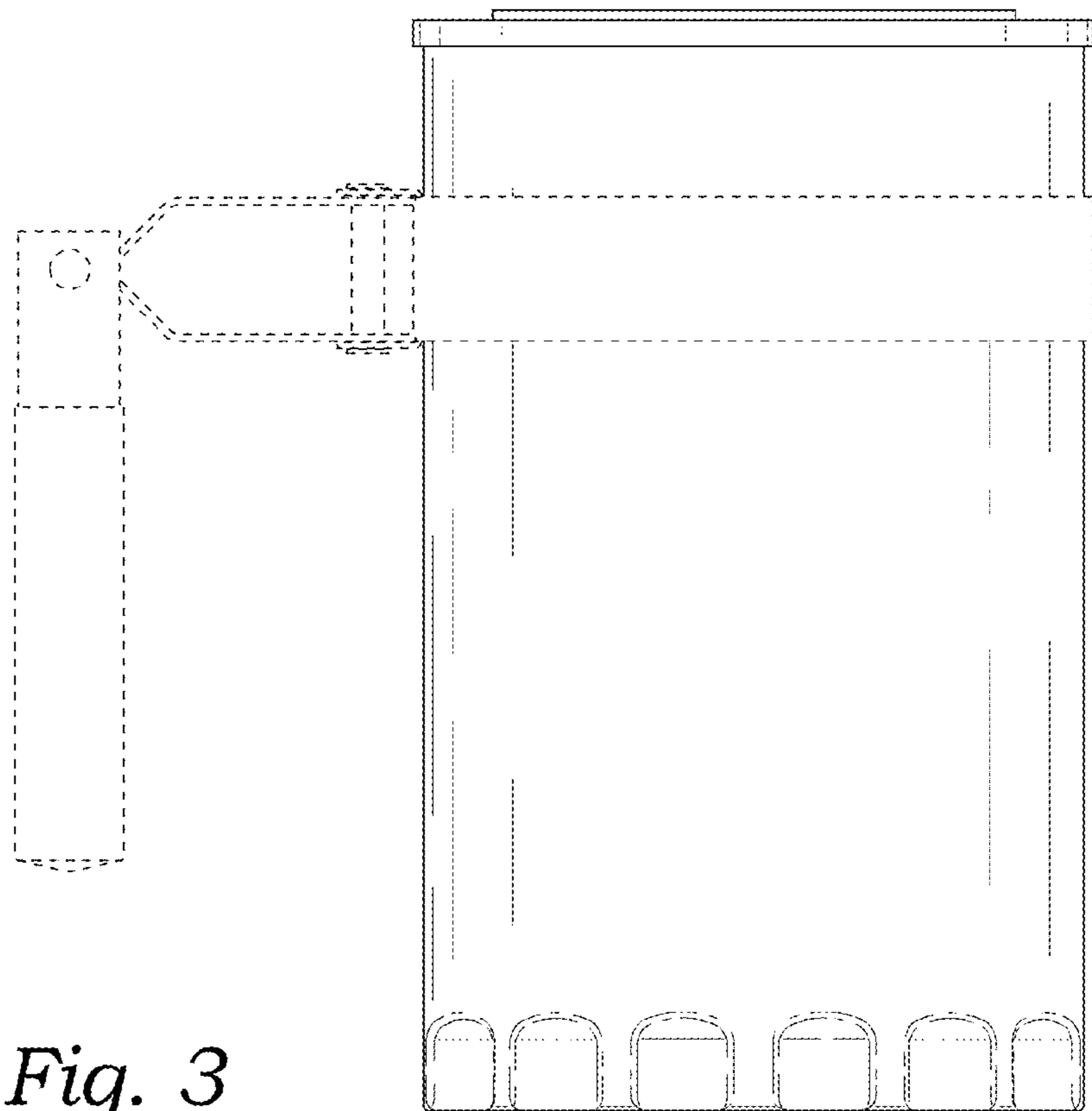
\* cited by examiner



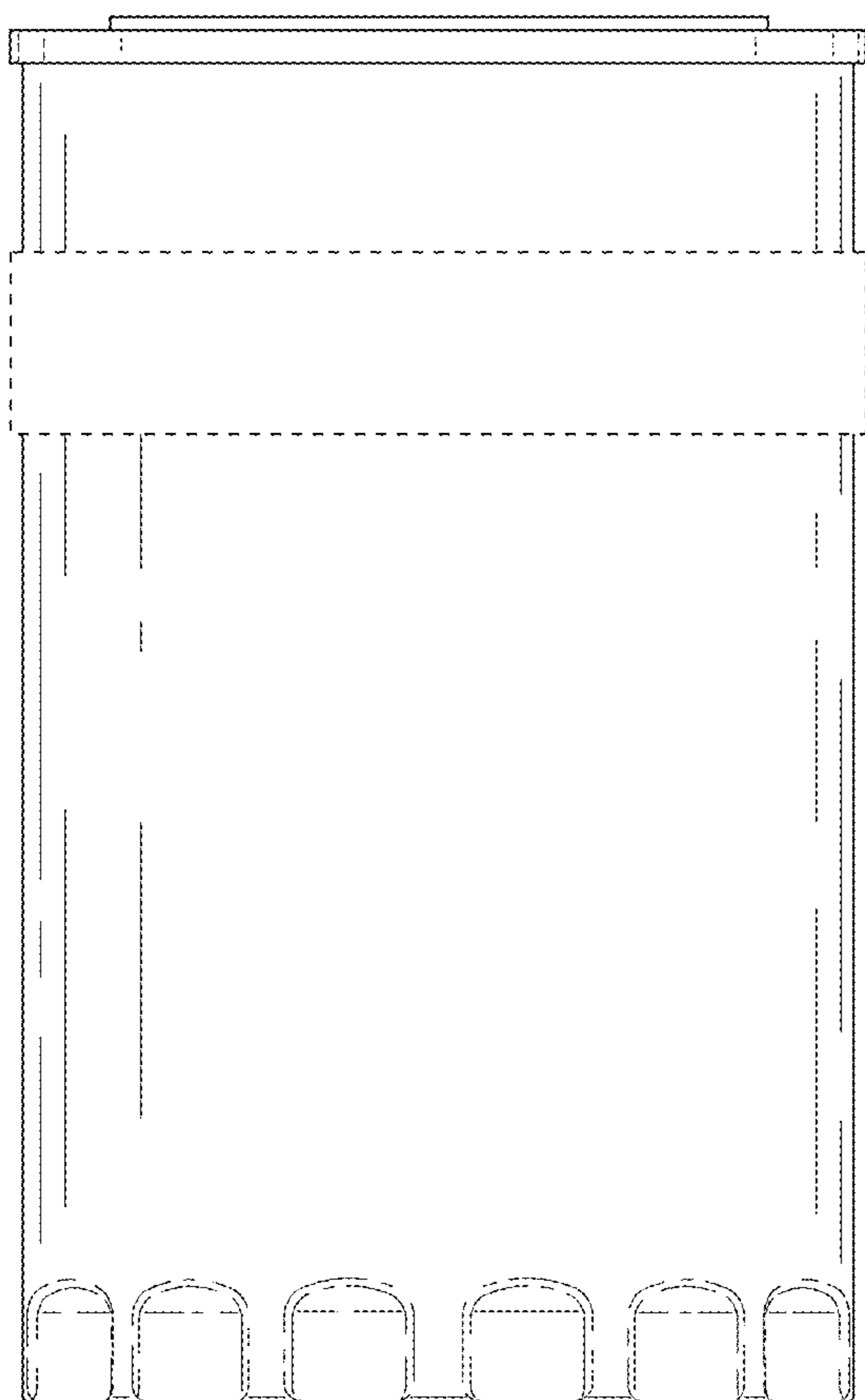
*Fig. 1*



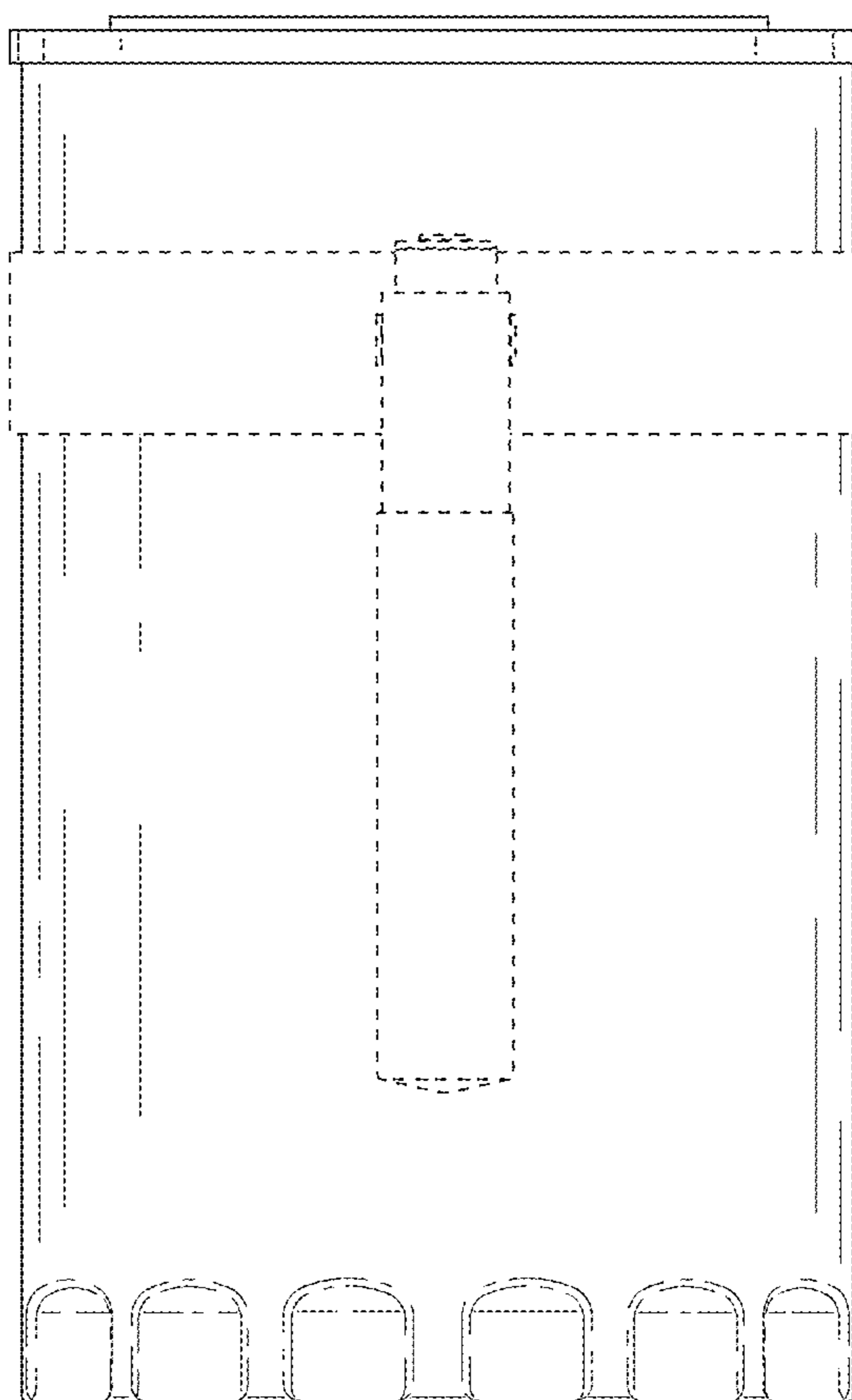
*Fig. 2*



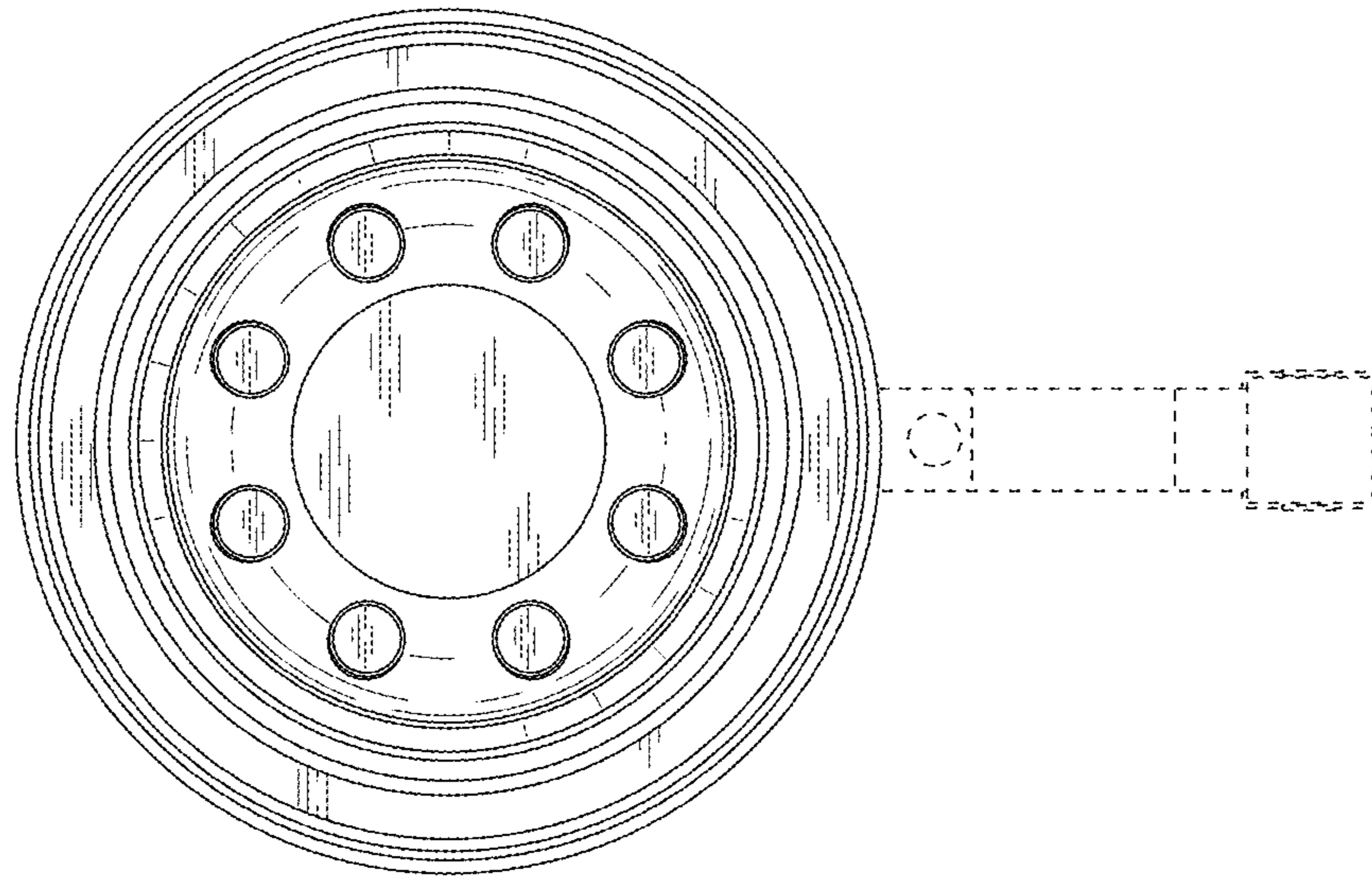
*Fig. 3*



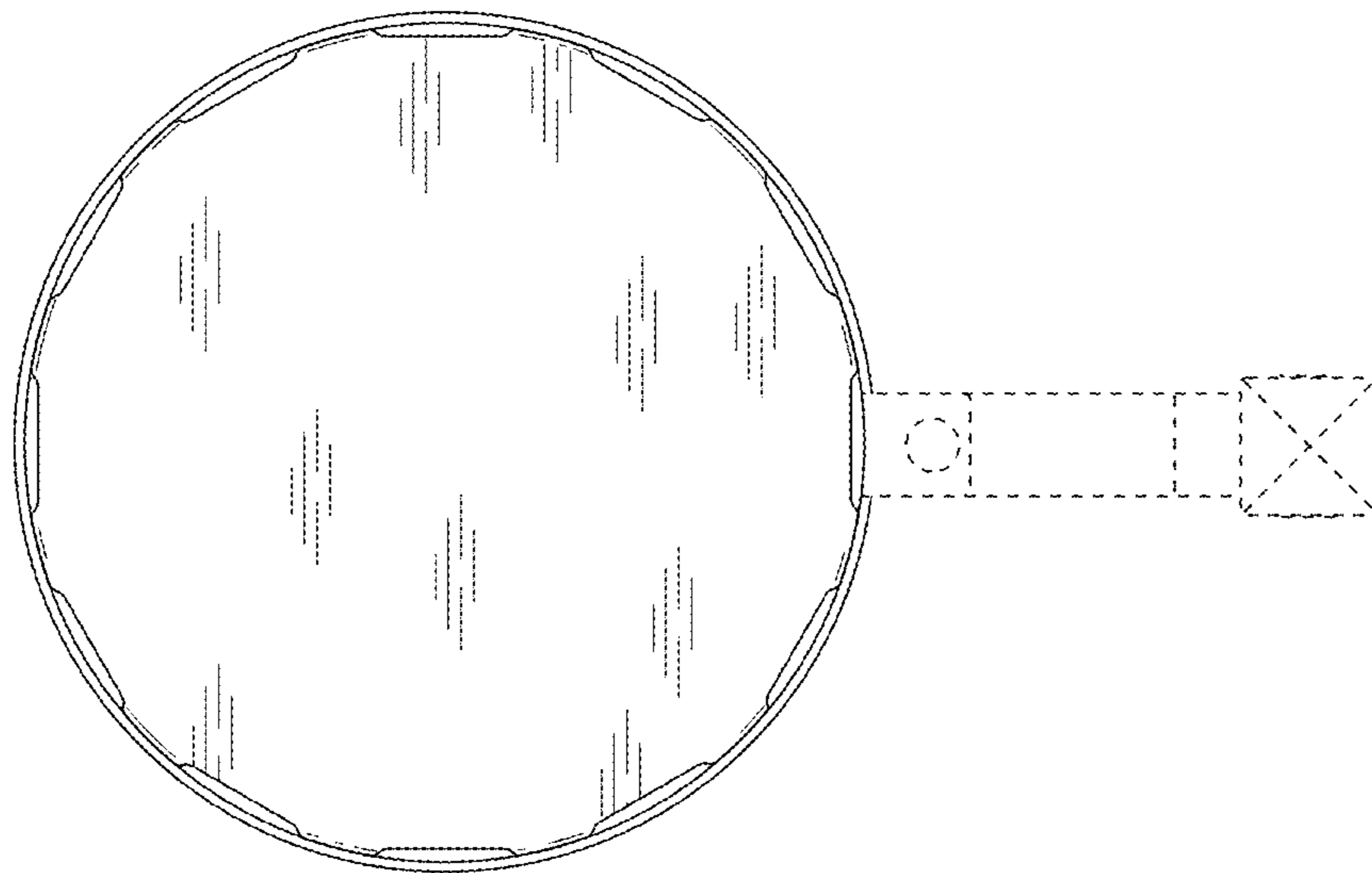
*Fig. 4*



*Fig. 5*



*Fig. 6*



*Fig. 7*