



US00D878864S

(12) **United States Design Patent** (10) **Patent No.:** **US D878,864 S**
Lawson-Shanks et al. (45) **Date of Patent:** **** Mar. 24, 2020**

(54) **BOTTLE INCLUDING ADDITIVE VESSELS**

(56) **References Cited**

(71) Applicant: **LifeFuels, Inc.**, Reston, VA (US)

U.S. PATENT DOCUMENTS

(72) Inventors: **Robert Lawson-Shanks**, Reston, VA (US); **Mark Lyons**, Reston, VA (US); **Jonathon Perrelli**, Reston, VA (US); **James Christopher Small**, Reston, VA (US); **Jesse John Horne**, Reston, VA (US); **Simon Lewis Bilton**, Reston, VA (US); **Matthew James Edwards**, Reston, VA (US)

D572,591 S *	7/2008	Blake	D9/500
D651,474 S *	1/2012	Gut	D7/624.2
D688,531 S *	8/2013	Ceder	D7/624.2
D702,474 S *	4/2014	Scherer	D7/300.1
D709,387 S *	7/2014	Marina	D7/300.1
D727,171 S *	4/2015	Marina	D7/300.1
9,102,441 B1 *	8/2015	Orvik	A45F 3/18
D752,391 S *	3/2016	Hatherell	D7/510
9,290,309 B1 *	3/2016	Pabon	A47G 19/2272
D768,507 S *	10/2016	Hotell	D9/738
D779,881 S *	2/2017	Lee	D7/510
D826,052 S *	8/2018	Harris	D9/500
D832,650 S *	11/2018	Diebel	D7/511
D846,355 S *	4/2019	Pisarevsky	D7/511
D856,082 S *	8/2019	Yao	D7/507
D856,083 S *	8/2019	Lawson-Shanks	D7/507
D861,430 S *	10/2019	Yueh	D7/507
2013/0037506 A1 *	2/2013	Wahlstrom	A61J 1/2093 215/6

(73) Assignee: **LifeFuels, Inc.**, Reston, VA (US)

(**) Term: **15 Years**

(21) Appl. No.: **29/695,665**

(22) Filed: **Jun. 20, 2019**

(Continued)

Primary Examiner — Jae Liang

(74) *Attorney, Agent, or Firm* — Kenealy Vaidya LLP

(57) **CLAIM**

The ornamental design for a bottle including additive vessels, as shown and described.

DESCRIPTION

FIG. 1 is a front perspective view of a bottle including additive vessels showing the new design; FIG. 2 is a bottom perspective view thereof; FIG. 3 is a front view thereof; FIG. 4 is a rear view thereof; FIG. 5 is a right view thereof; FIG. 6 is a left view thereof; FIG. 7 is a top view thereof; and, FIG. 8 is a bottom view thereof. The broken lines in the drawings depict portions of the bottle that form no part of the claimed design.

Related U.S. Application Data

(62) Division of application No. 29/632,266, filed on Jan. 5, 2018, now Pat. No. Des. 856,083.

(51) **LOC (12) Cl.** **07-01**

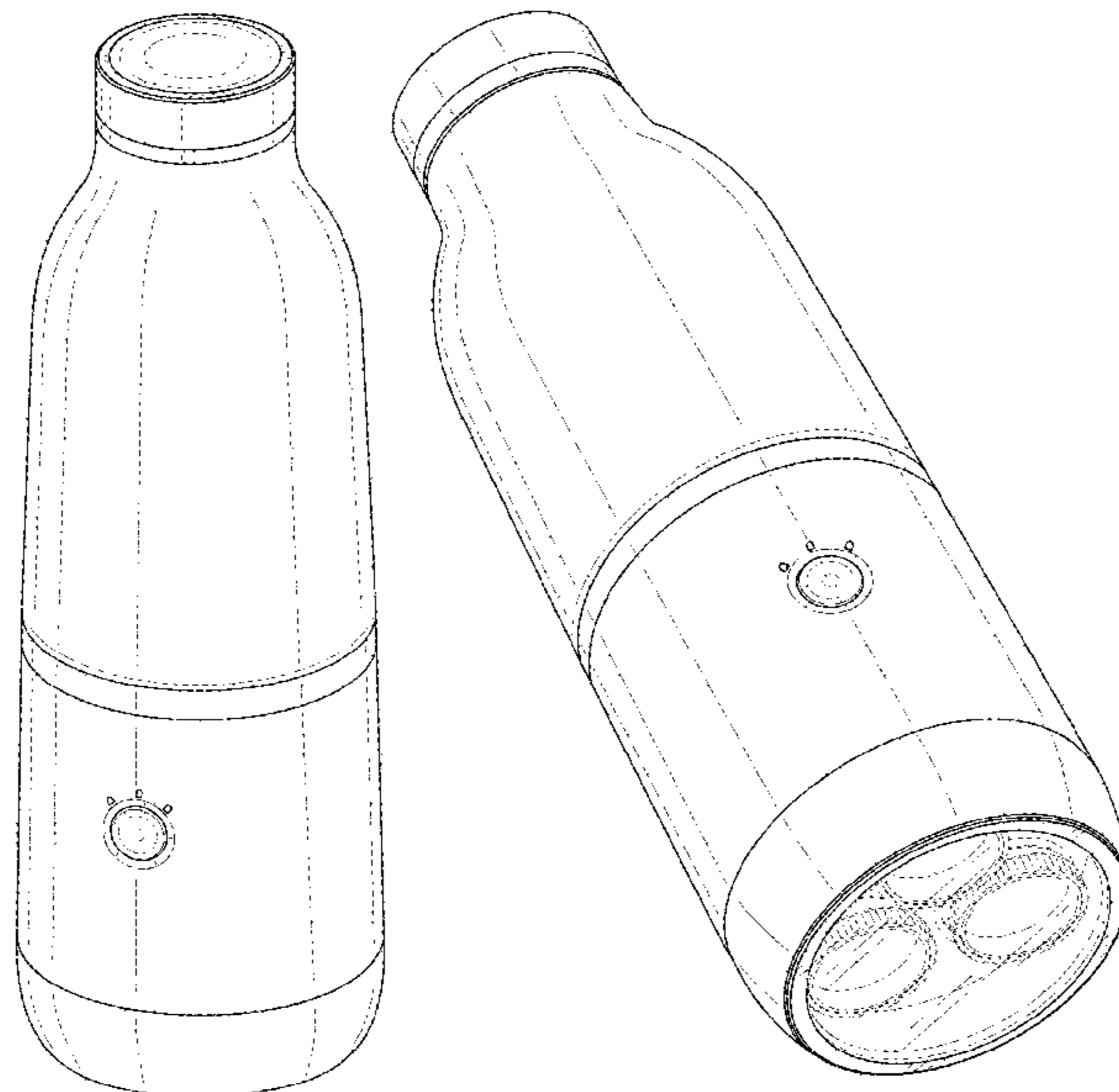
(52) **U.S. Cl.**

USPC **D7/507**; D7/511; D7/523; D7/532

(58) **Field of Classification Search**

USPC D7/507, 509, 510, 511, 529, 531, 532, D7/523, 533, 534, 535, 536, 392.1, 296.1, D7/396.2, 387, 300.1, 591, 688, 665; D9/500, 50, 502, 503, 504, 516, 556, 569, D9/542, 530, 531; D3/202
CPC A47G 19/22; A47G 19/2288; A47G 19/2205; A47G 19/2227; B65D 1/265; A47J 43/27; A45F 3/16
See application file for complete search history.

1 Claim, 8 Drawing Sheets



(56)

References Cited

U.S. PATENT DOCUMENTS

2014/0044837 A1* 2/2014 Weisman A47G 19/16
426/79
2015/0223623 A1* 8/2015 Davis A47G 19/2272
220/714
2016/0317985 A1* 11/2016 Mutschler B65D 51/2821
2017/0050782 A1* 2/2017 Elmasri B65D 51/245
2017/0361984 A1* 12/2017 Fouad A47J 43/27
2018/0353011 A1* 12/2018 Pinelli A47J 41/028

* cited by examiner

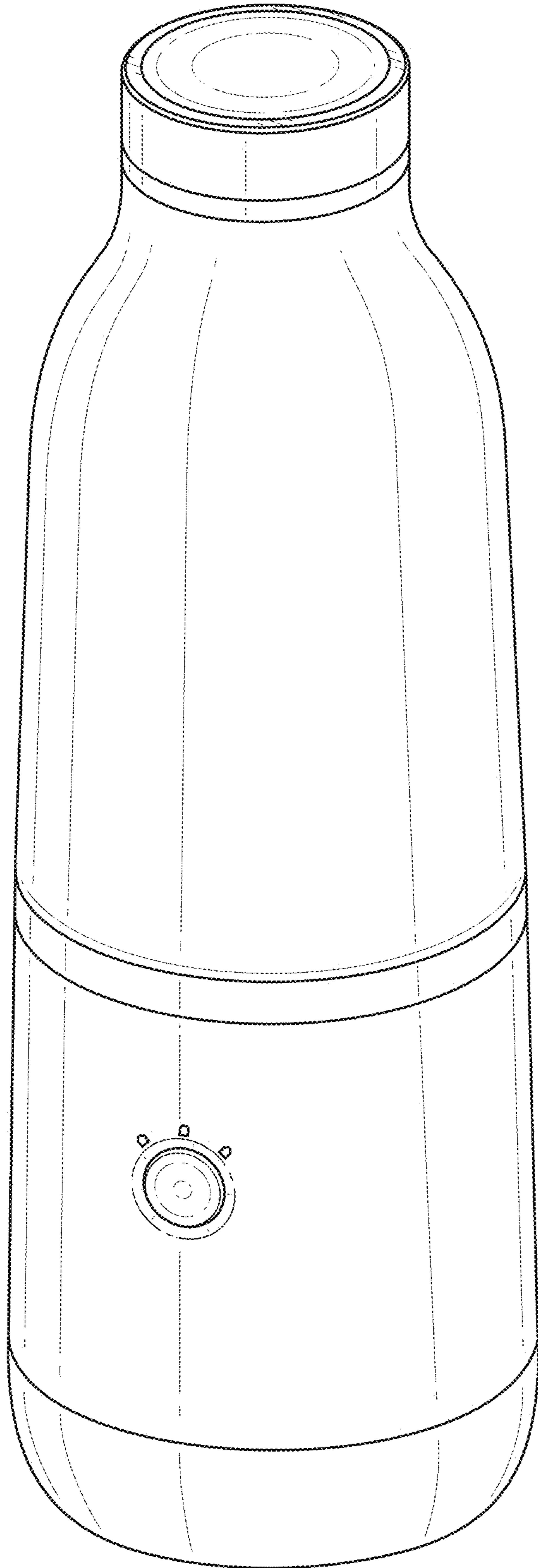


FIG. 1

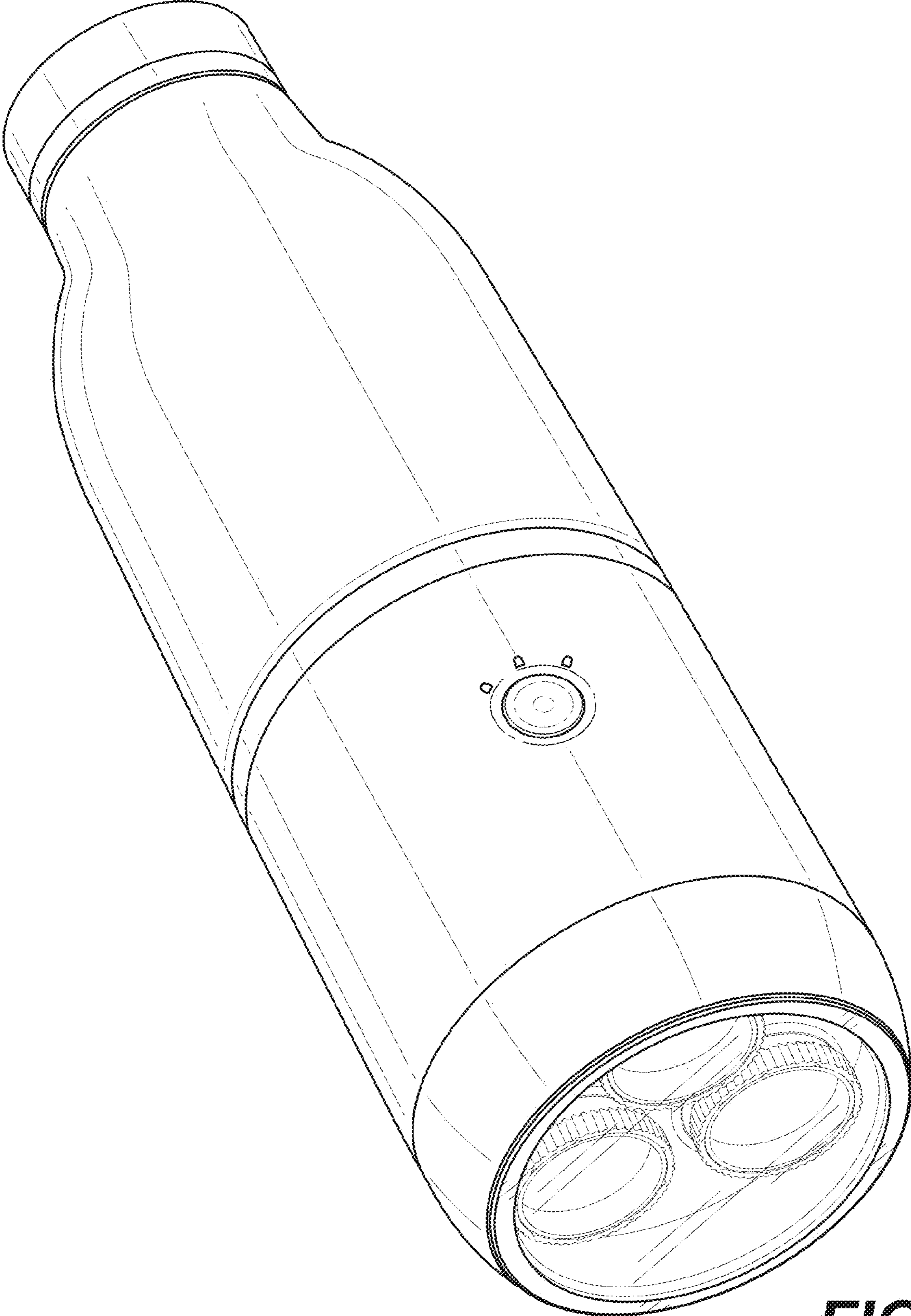


FIG. 2

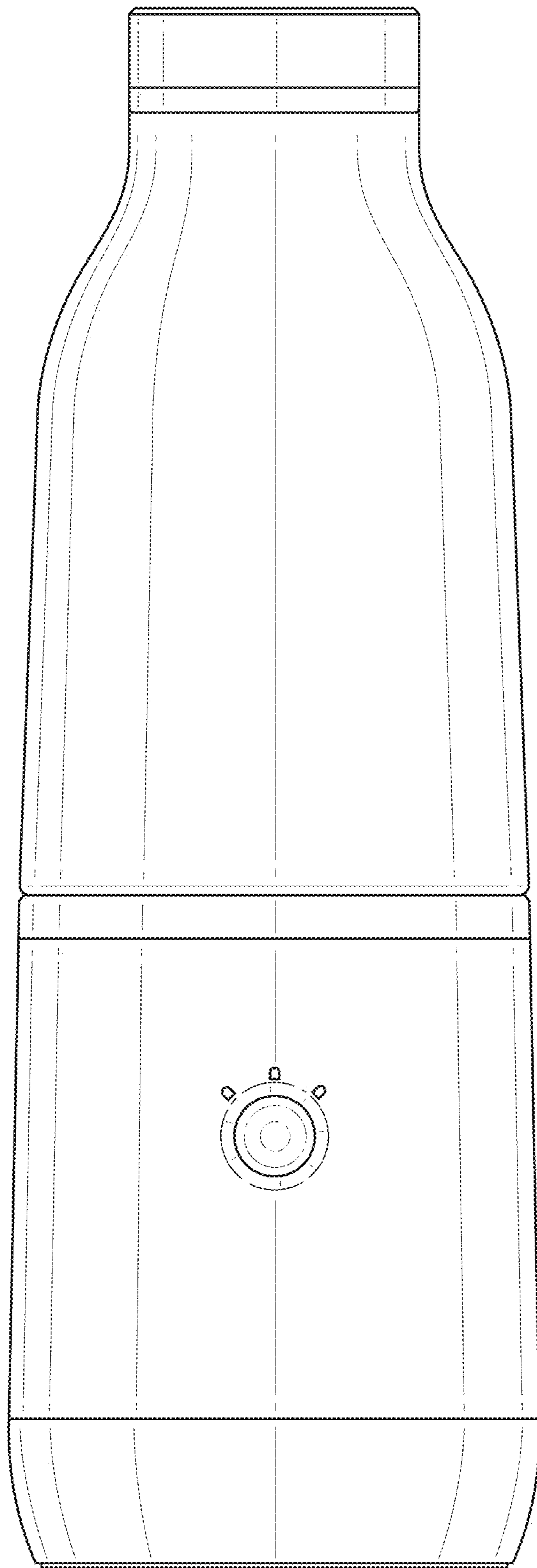


FIG. 3

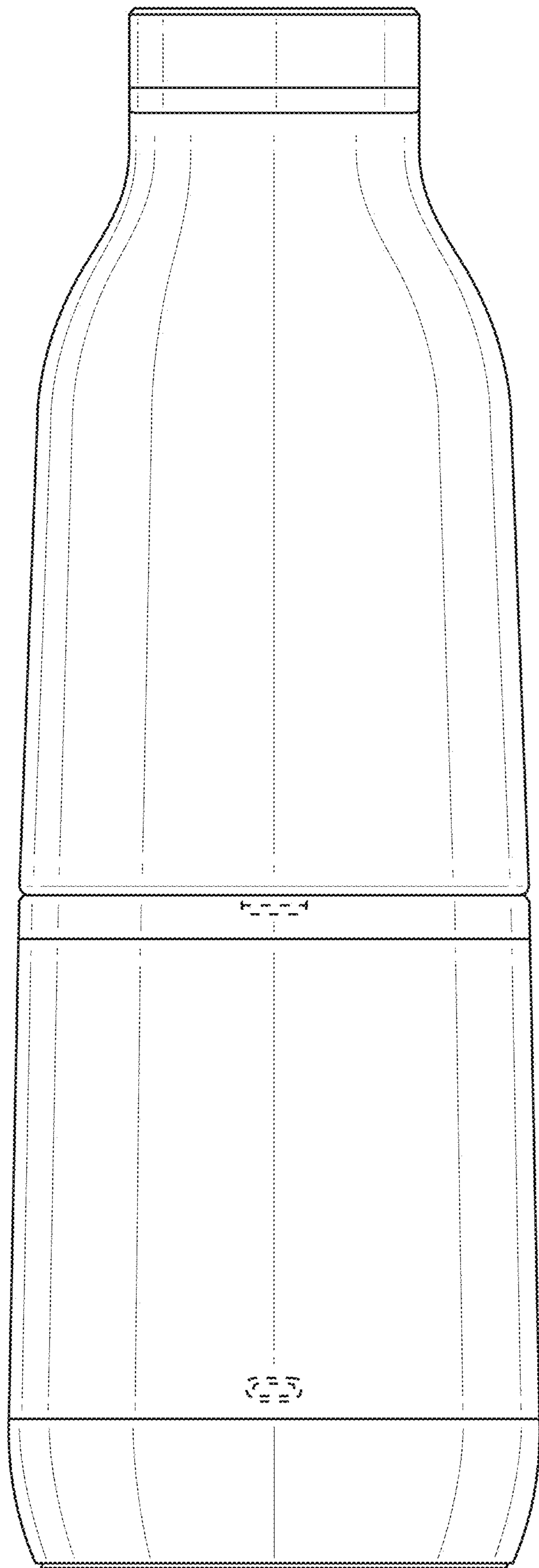


FIG. 4

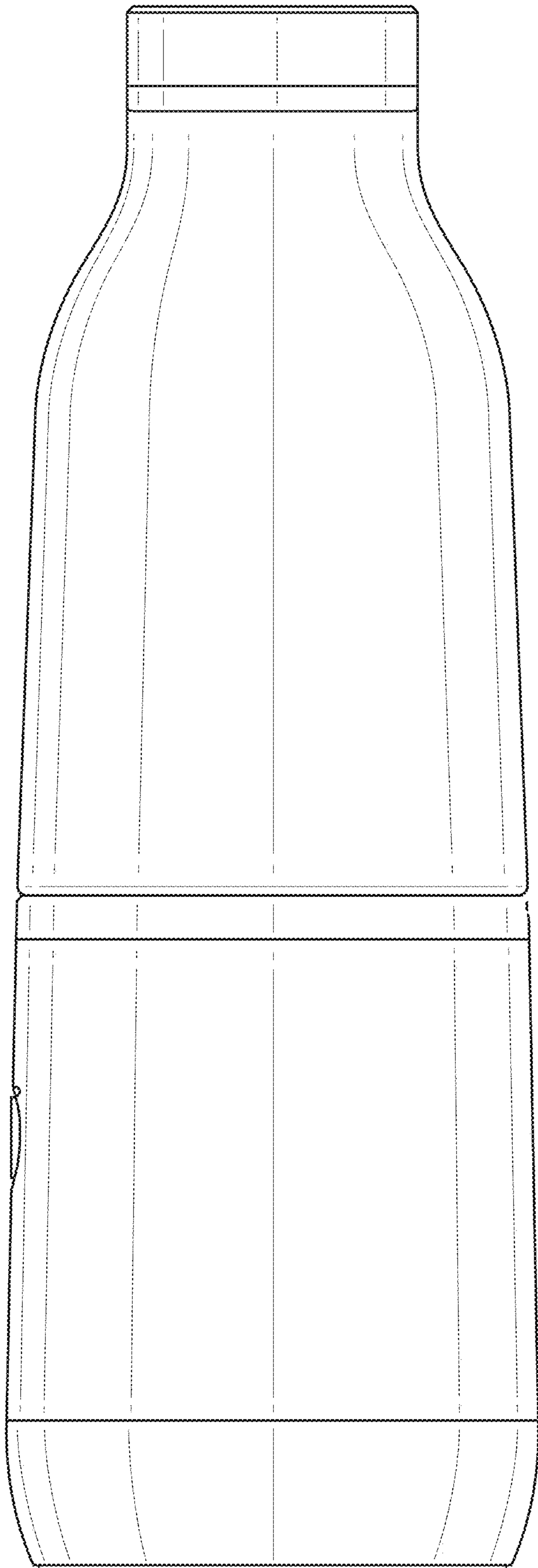


FIG. 5

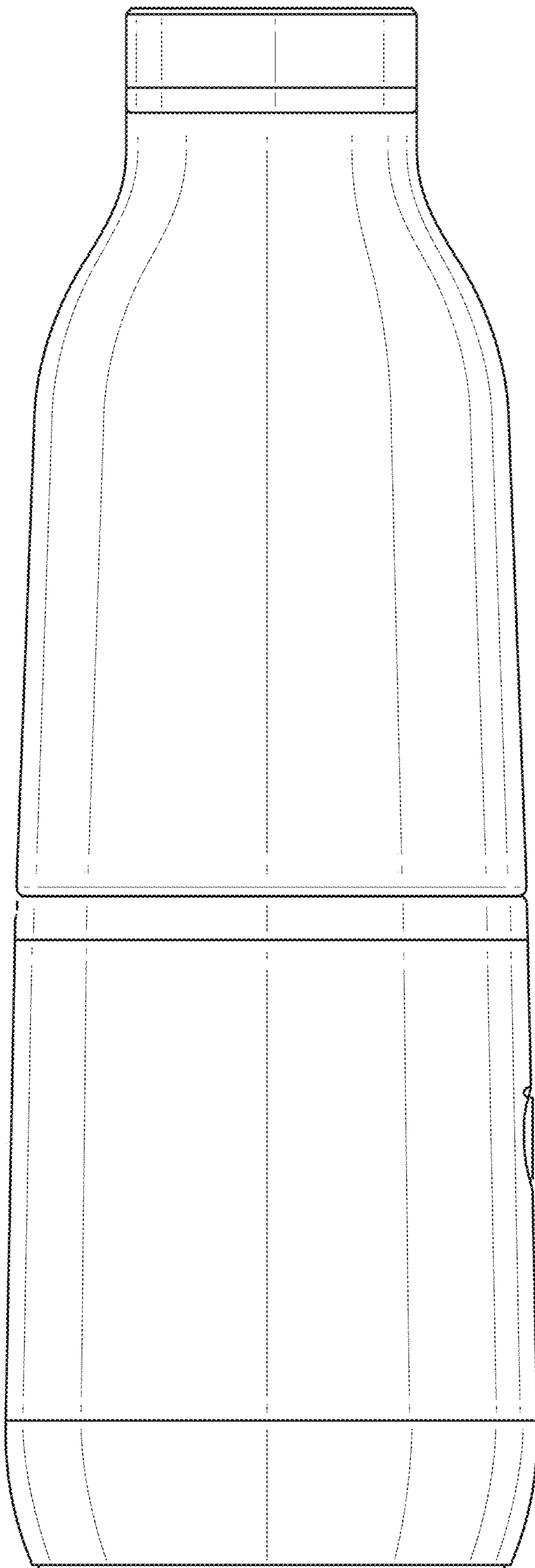


FIG. 6

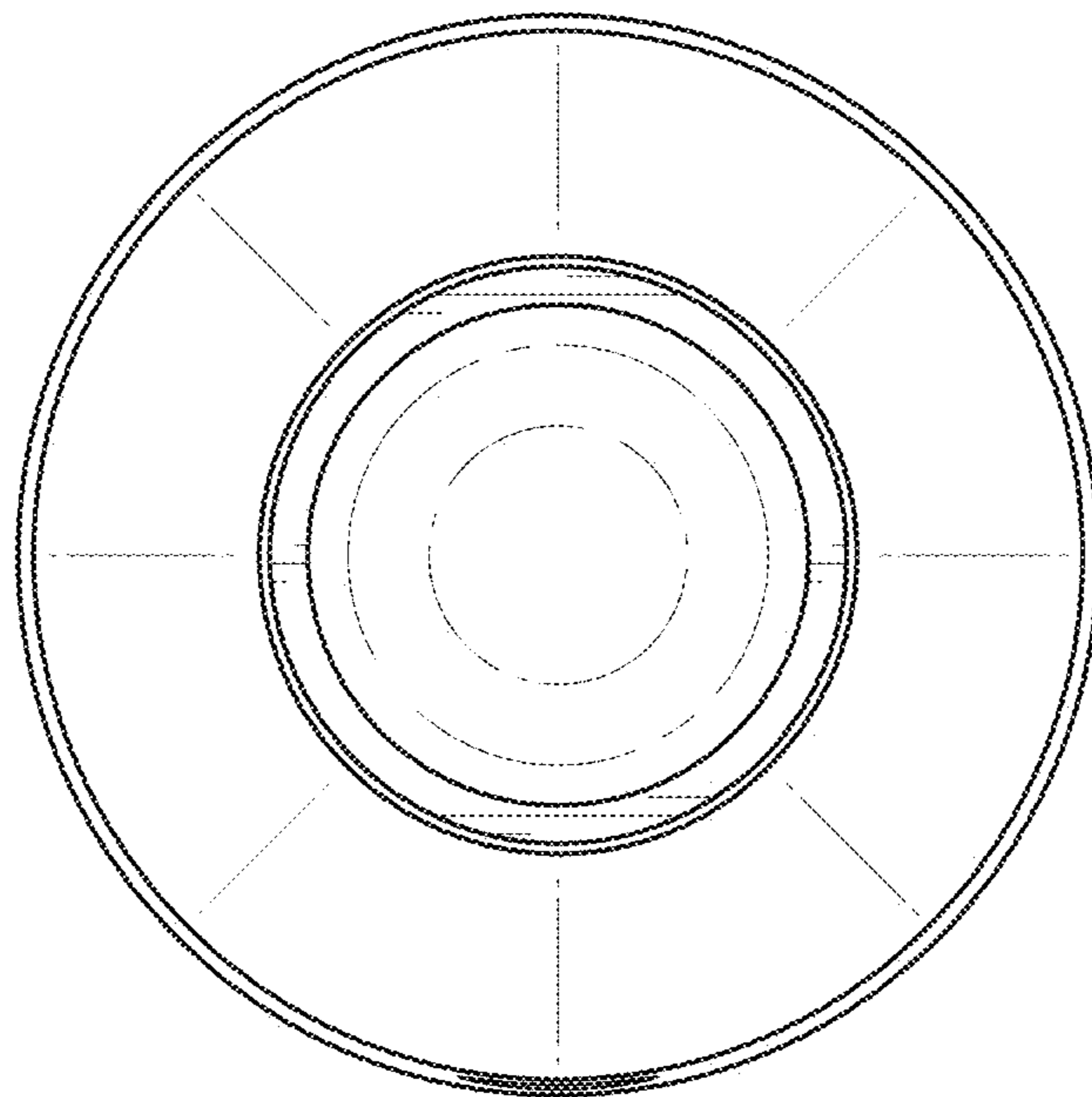


FIG. 7

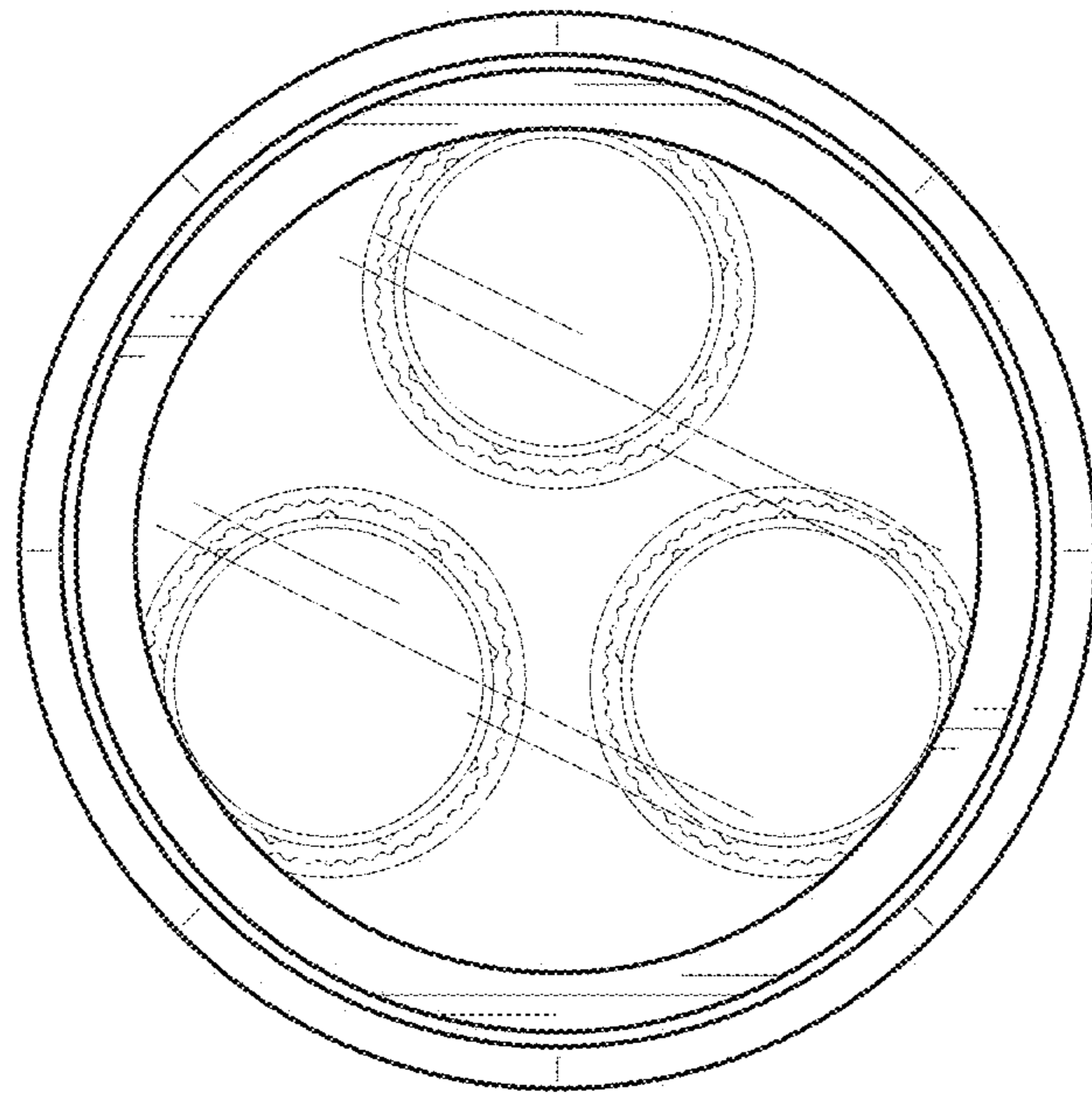


FIG. 8