



US00D878860S

(12) **United States Design Patent**  
**Halasinski et al.**

(10) **Patent No.:** **US D878,860 S**  
(45) **Date of Patent:** **\*\* Mar. 24, 2020**

- (54) **COOKING RACK**
- (71) Applicant: **SMOKE STAXX PANS LLC**, Canton, OH (US)
- (72) Inventors: **Brian Halasinski**, Canton, OH (US); **Kirk W Hyust**, Canton, OH (US); **Karl H. Beitzel**, Canton, OH (US)
- (73) Assignee: **SMOKE STAXX PANS LLC**, Canton, OH (US)
- (\*\*) Term: **15 Years**
- (21) Appl. No.: **29/674,270**
- (22) Filed: **Dec. 20, 2018**
- (51) **LOC (12) Cl.** ..... **07-02**
- (52) **U.S. Cl.**  
USPC ..... **D7/409**
- (58) **Field of Classification Search**  
USPC ..... D3/306; D7/323, 332, 335-337, D7/354-355, 359-364, 387-388, 402, D7/407-409; D23/410; D32/37  
CPC .... A21B 2/00; A21B 3/00; A21B 3/13; A21B 3/15; A21B 5/00; A21B 5/02; A23N 12/06; A23N 12/08; A23N 12/10; A47J 27/04; A47J 36/22; A47J 37/00; A47J 37/04; A47J 37/041; A47J 37/042; A47J 37/06; A47J 37/0688; A47J 37/0694; A47J 37/07; A47J 37/0704; A47J 37/10; A47J 43/24; A47J 47/16; A47J 47/20; A47J 2037/00; A47J 2037/06; A47J 2037/0611; A47J 2037/07; A47J 2037/0786; A47J 2037/0795; F24C 15/10; F24C 15/12; F24C 15/14; F24C 15/16; F24C 15/164; F24C 15/18  
See application file for complete search history.

- 2,198,106 A 4/1940 Chandonia
  - 2,742,181 A 4/1956 Jarund
  - RE24,581 E \* 12/1958 Escaut ..... A47J 43/24  
220/489
  - 2,889,072 A 6/1959 Lapham
  - 3,013,692 A 12/1961 Chesley
  - 3,191,796 A 6/1965 Schwartz et al.
  - 3,212,426 A \* 10/1965 Lewus ..... A47J 27/04  
99/339
  - 3,380,625 A 4/1968 Kreeger
  - 3,387,621 A 6/1968 Schaff
  - 3,392,875 A 7/1968 Bockenstette
  - 3,403,788 A 10/1968 Kreeger
  - 3,421,656 A 1/1969 Asenbauer
  - 3,580,164 A 5/1971 Baker
  - 3,613,943 A 10/1971 Bridenstine
  - 3,840,115 A 10/1974 Lapewig
- (Continued)

**FOREIGN PATENT DOCUMENTS**

- WO 03086882 A1 10/2003
- Primary Examiner* — Ricky Pham
- (74) *Attorney, Agent, or Firm* — Hudak, Shunk & Farine Co. LPA

(57) **CLAIM**

The ornamental design for a “cooking rack”, as shown and described.

**DESCRIPTION**

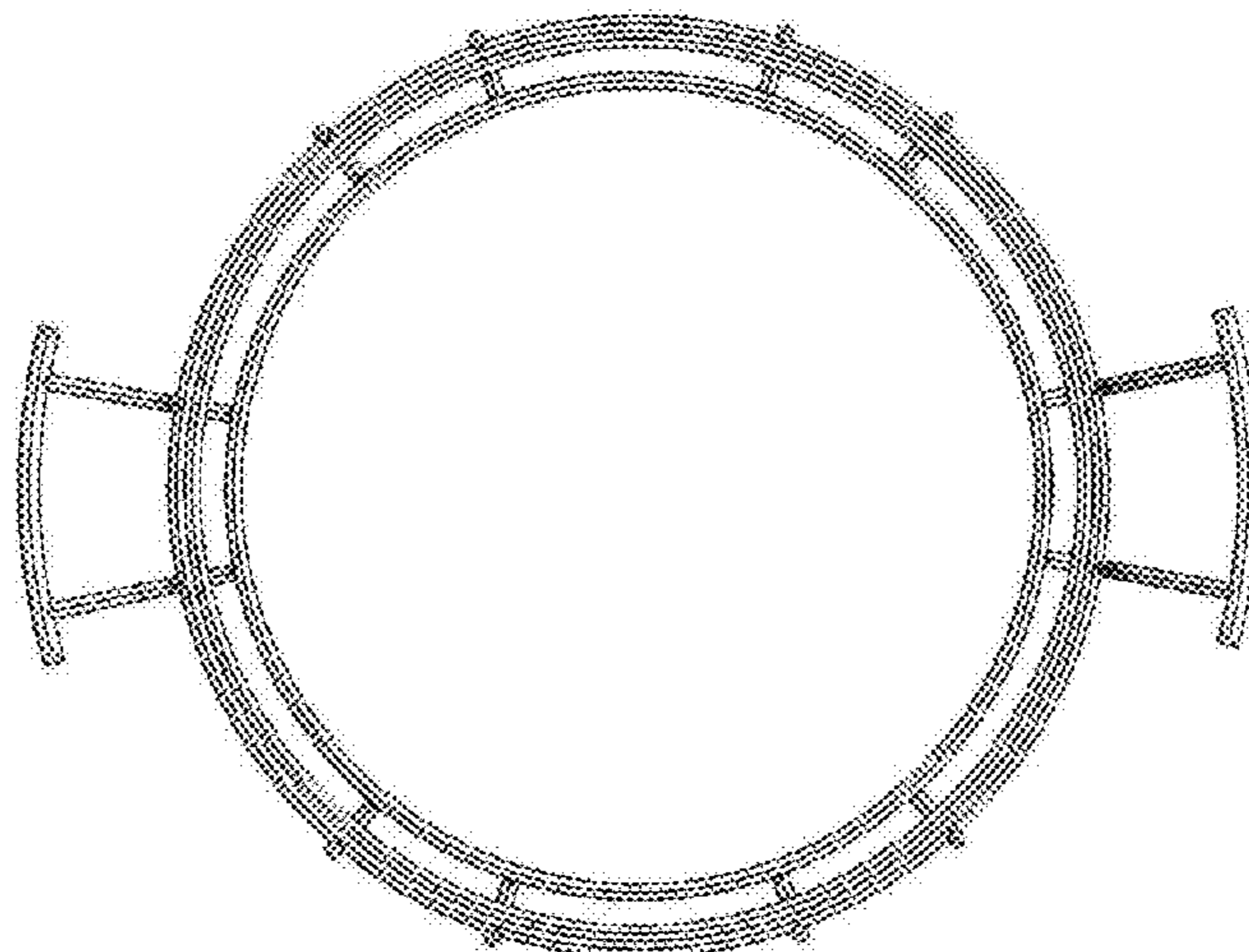
FIG. 1 is a top view of the cooking rack;  
 FIG. 2 is a side view thereof;  
 FIG. 3 is a bottom view thereof;  
 FIG. 4 is a side view thereof, turned 90° from the view shown in FIG. 2;  
 FIG. 5 is a top left side perspective view thereof;  
 FIG. 6 is a top front perspective view thereof; and,  
 FIG. 7 is a bottom right perspective view thereof.

**1 Claim, 7 Drawing Sheets**

(56) **References Cited**

**U.S. PATENT DOCUMENTS**

- D31,043 S \* 6/1899 Smith ..... D7/409
- 1,530,175 A \* 3/1925 Hatch, Jr. .... A47J 47/16  
220/6



(56)

References Cited

U.S. PATENT DOCUMENTS

3,907,111 A 9/1975 Levenhagen  
 3,934,724 A 1/1976 Johnson  
 4,052,934 A \* 10/1977 Shinman ..... A47J 36/22  
 99/355  
 4,316,540 A 2/1982 Lapham  
 4,417,509 A 11/1983 Deibel et al.  
 4,522,301 A 6/1985 Ajmera  
 4,616,762 A 10/1986 Alexander  
 4,759,451 A 7/1988 Apps  
 5,195,424 A \* 3/1993 Guajaca ..... A47J 27/04  
 126/348  
 D336,613 S 6/1993 Zutler  
 5,228,569 A 7/1993 House  
 5,228,826 A 7/1993 Bryde-Hansen  
 5,295,580 A 3/1994 Hicks  
 5,316,207 A 5/1994 Ross et al.  
 5,369,932 A 12/1994 Passero  
 5,390,970 A 2/1995 Gray  
 5,454,470 A 10/1995 Bricker  
 D365,729 S 1/1996 Wold  
 5,499,715 A 3/1996 Nemeth  
 5,542,206 A 8/1996 Lisch  
 5,544,751 A 8/1996 Klodt et al.  
 5,566,998 A 10/1996 Gray  
 5,577,440 A 11/1996 Marie  
 D380,299 S 7/1997 Schlaeger et al.  
 5,657,871 A 8/1997 Waters et al.  
 5,678,715 A 10/1997 Sjostedt et al.  
 5,762,195 A 6/1998 Stevens  
 5,779,051 A 7/1998 Boutin  
 5,820,908 A 10/1998 Li  
 5,916,078 A 6/1999 Herrin  
 5,938,015 A 8/1999 Candy  
 6,048,163 A 4/2000 Atkinson  
 D428,332 S 7/2000 Knutson

6,158,653 A 12/2000 Kanter et al.  
 6,161,887 A 12/2000 Shiota et al.  
 6,183,453 B1 2/2001 Swisher  
 6,237,775 B1 5/2001 Hatch et al.  
 6,267,550 B1 7/2001 Morgan  
 D447,944 S 9/2001 Justice  
 6,325,282 B1 12/2001 Kanter et al.  
 6,367,630 B1 4/2002 Elskamp  
 6,425,824 B1 7/2002 Baerlocher  
 D466,413 S 12/2002 Justice  
 6,513,705 B1 2/2003 Sheffer  
 6,522,018 B1 2/2003 Tay  
 6,581,772 B2 6/2003 Noland  
 6,588,612 B1 7/2003 Dorn et al.  
 6,598,785 B2 7/2003 Quaintance  
 6,612,073 B1 9/2003 Powell et al.  
 6,629,605 B2 10/2003 Frohn  
 6,729,472 B2 5/2004 Stucke et al.  
 6,749,107 B2 6/2004 Quaintance  
 D505,788 S 6/2005 Sorrenti et al.  
 6,959,811 B1 11/2005 Hoover  
 6,986,829 B2 1/2006 Gehr et al.  
 7,014,043 B2 3/2006 Raghunathan et al.  
 7,017,745 B2 3/2006 Raghunathan  
 7,032,773 B2 4/2006 Dees et al.  
 7,258,905 B2 8/2007 Whitmore et al.  
 7,347,654 B2 3/2008 Mondejar Jimenez  
 7,422,124 B2 9/2008 Norris, Jr.  
 7,431,171 B2 10/2008 Lamarche  
 7,464,817 B2 12/2008 Raghunathan et al.  
 7,837,036 B2 11/2010 Davis  
 D671,286 S \* 11/2012 Pelosi ..... D32/37  
 D693,978 S \* 11/2013 Pelosi ..... D32/37  
 D733,495 S \* 7/2015 Tyson ..... D7/354  
 D751,186 S \* 3/2016 Romzek ..... D23/410  
 D810,438 S \* 2/2018 Romzek ..... D3/306  
 D858,193 S \* 9/2019 Romzek ..... D7/409  
 D866,183 S \* 11/2019 Romzek ..... D3/306

\* cited by examiner

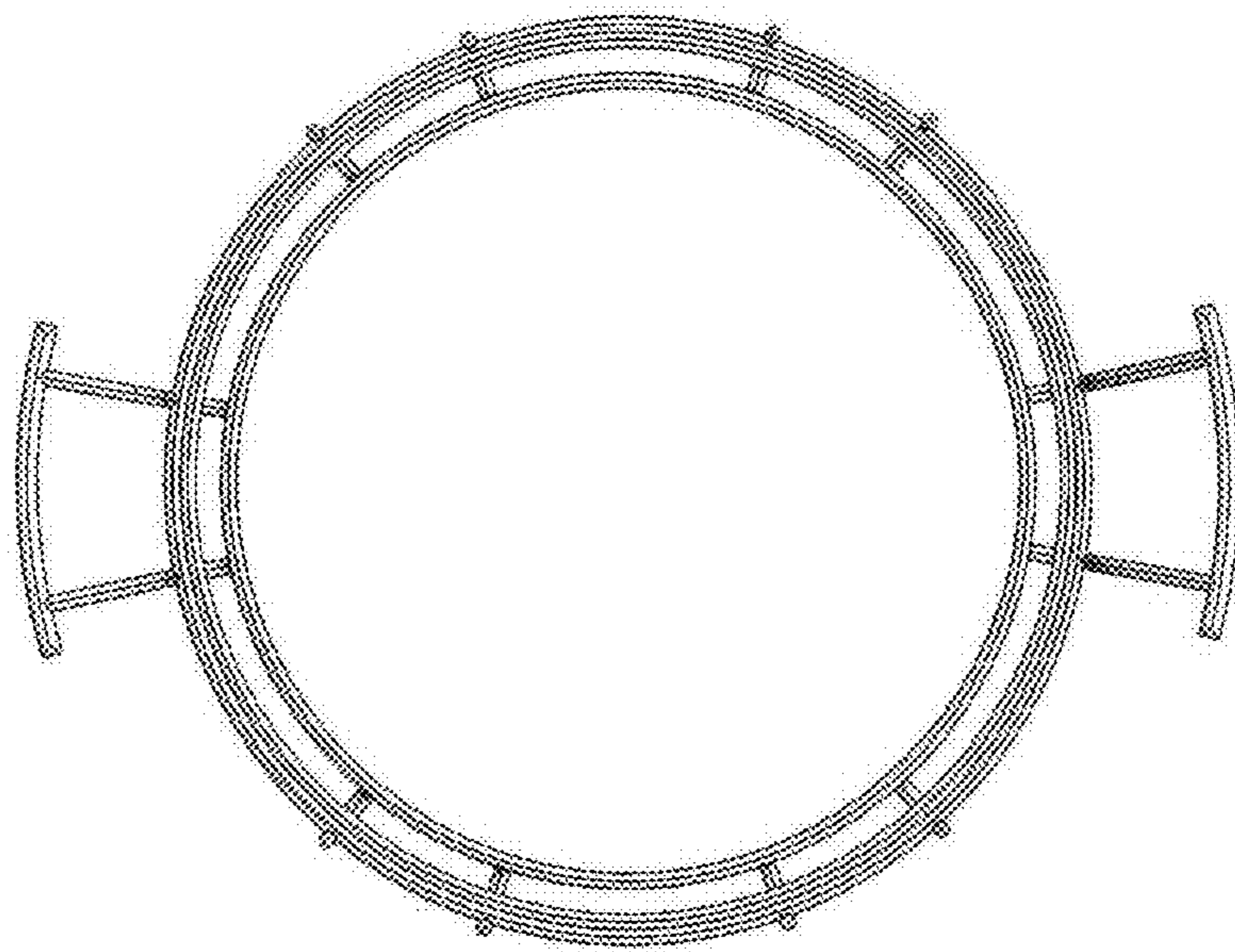


Fig. 1

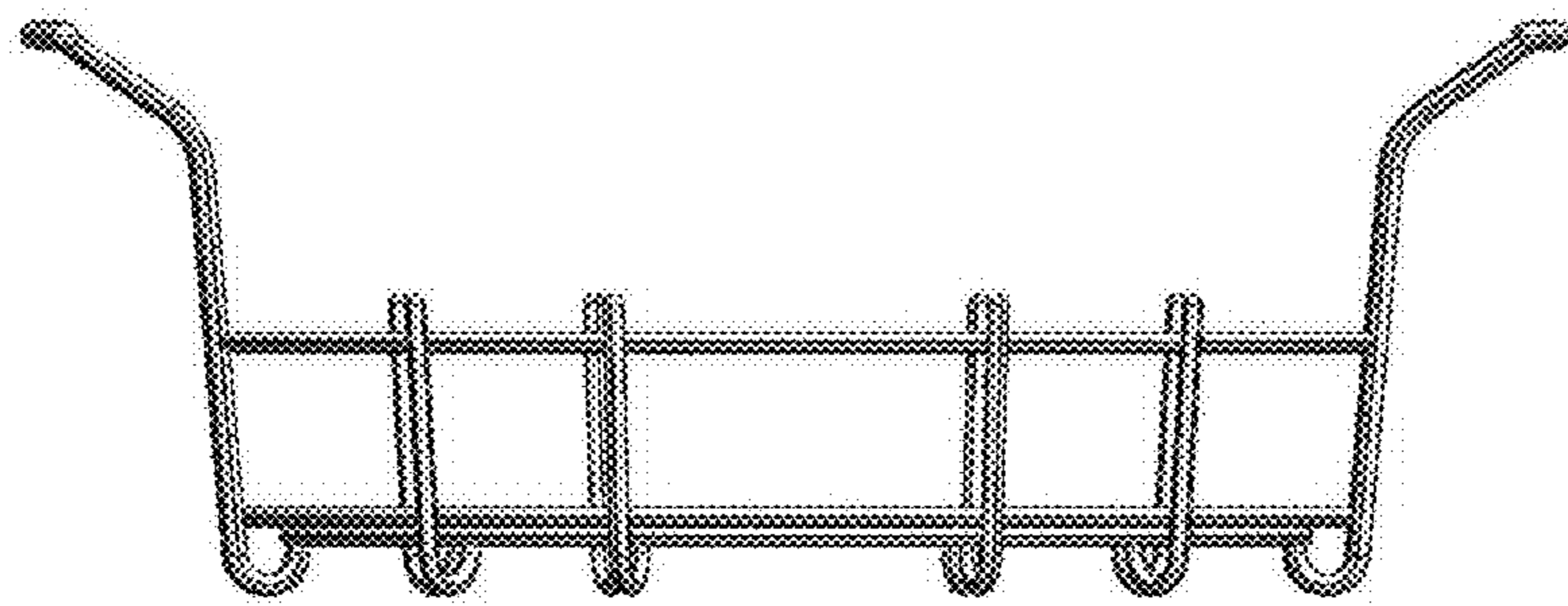


Fig. 2

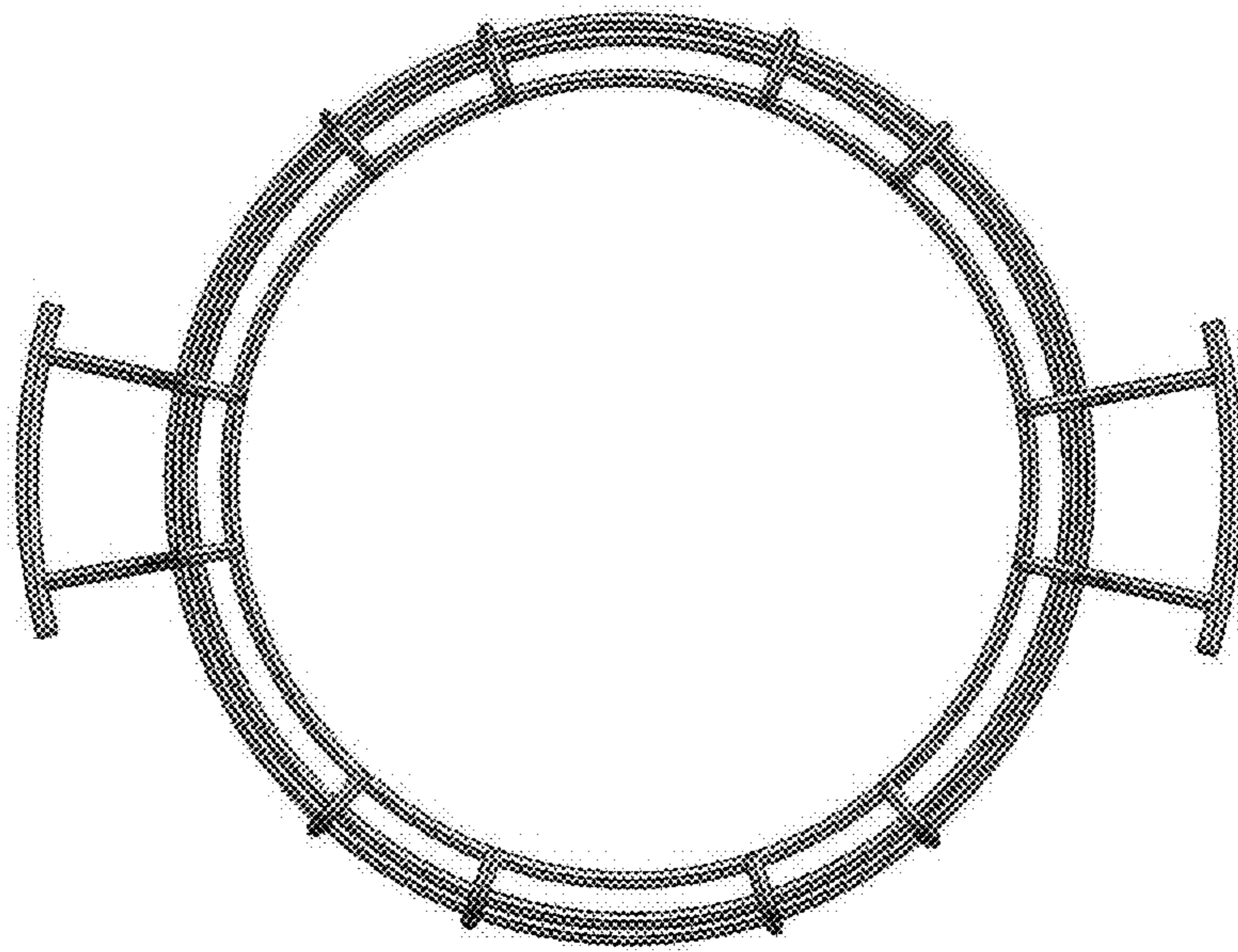


Fig. 3

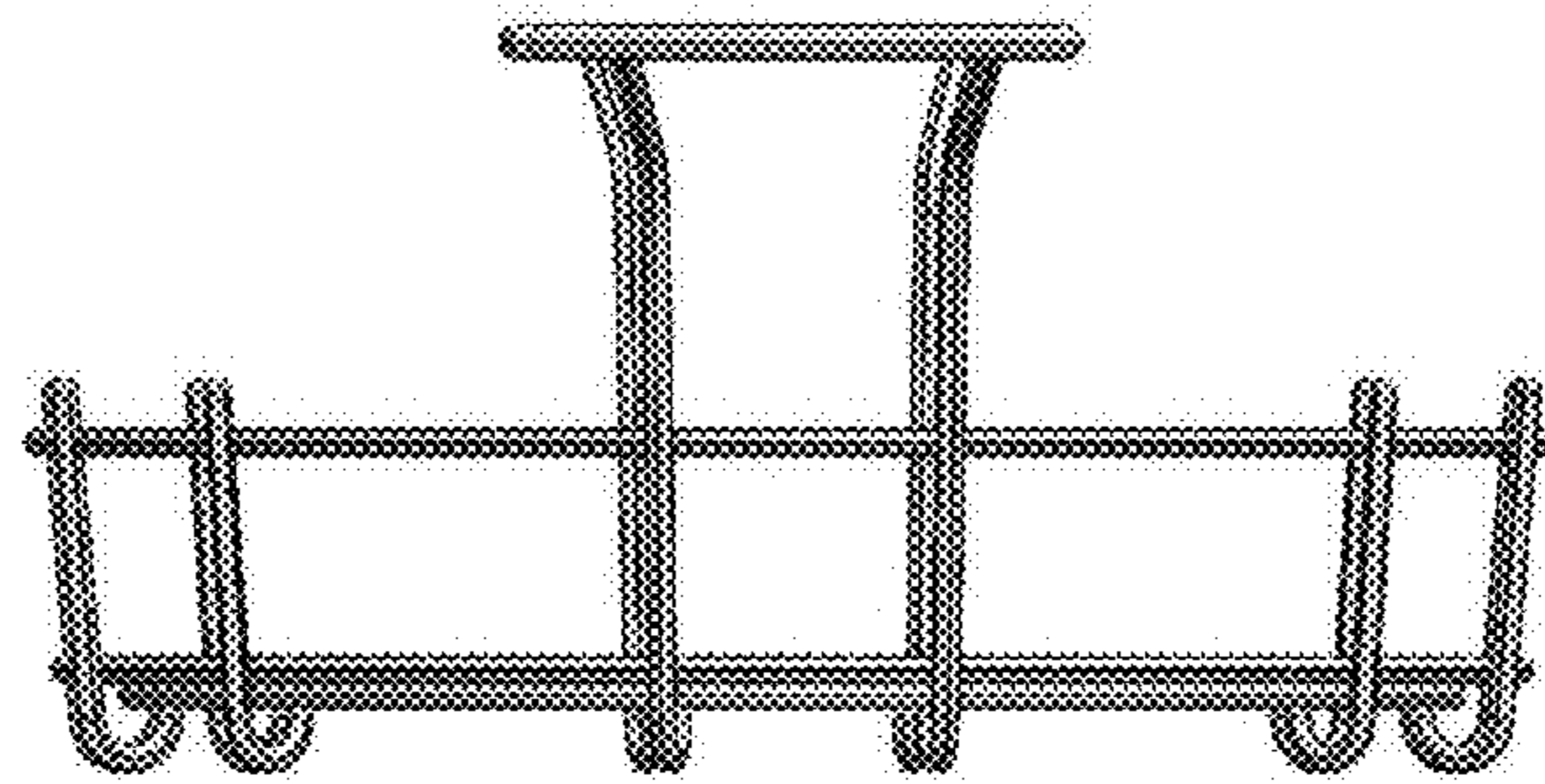


Fig. 4

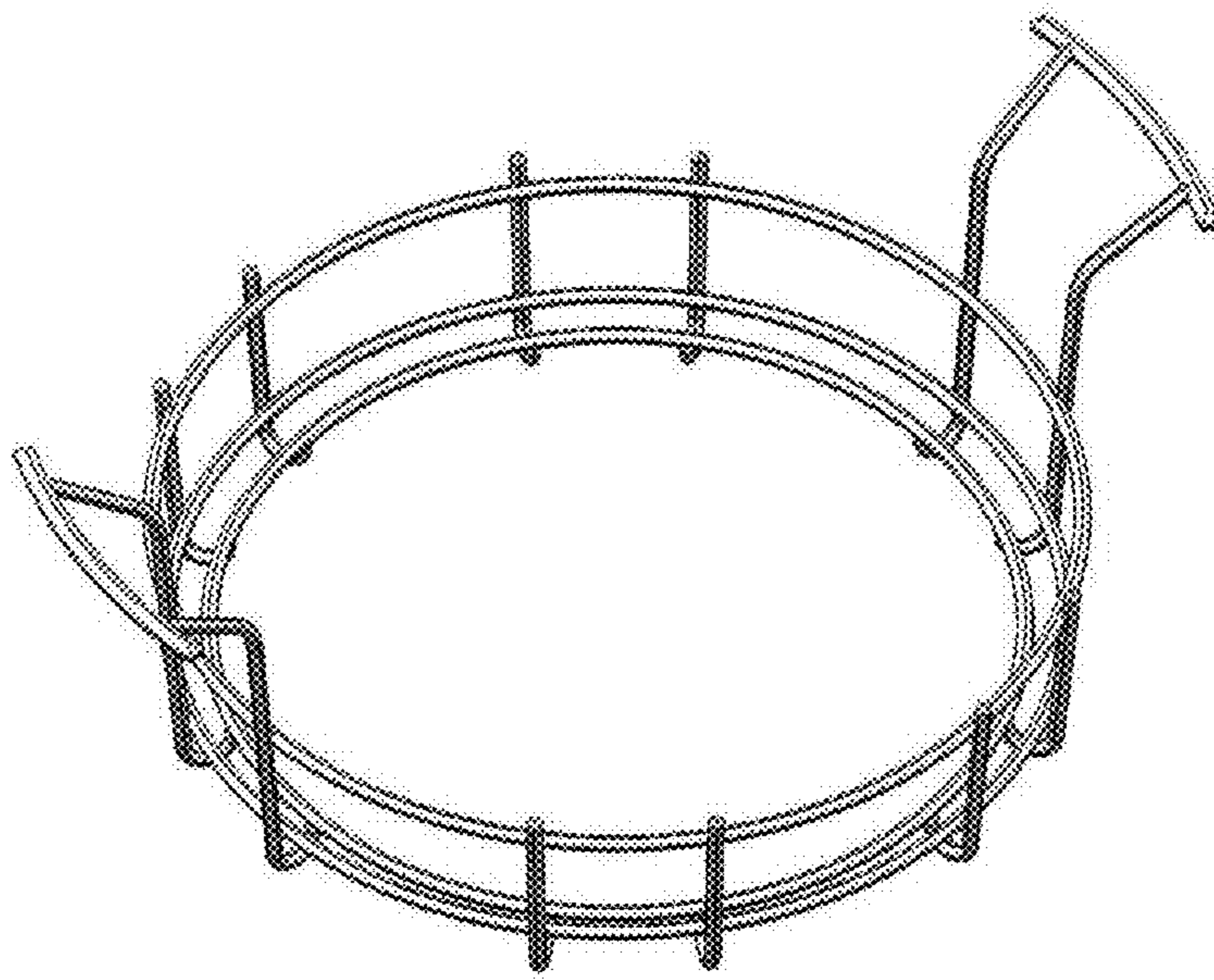


Fig. 5

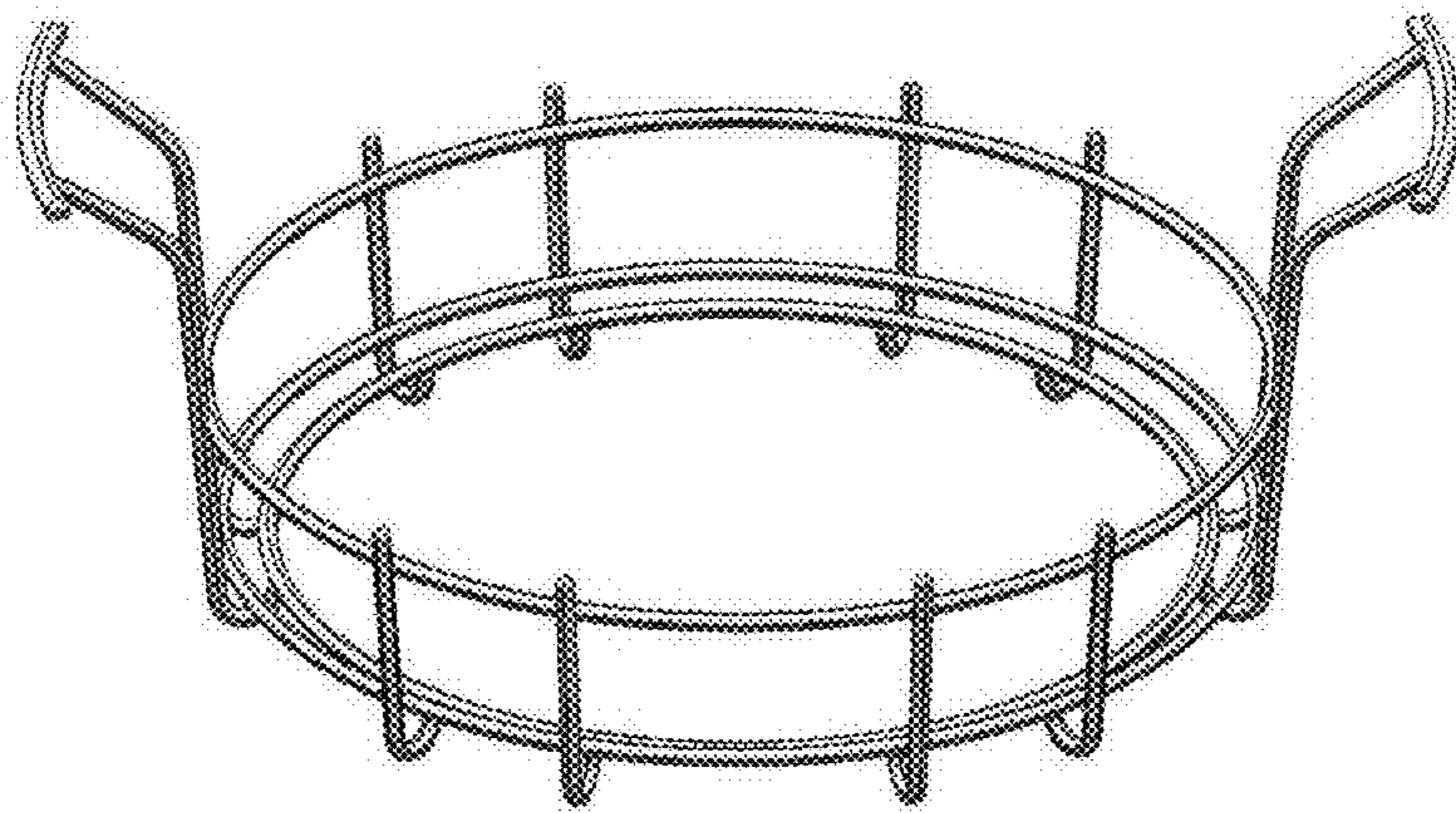


Fig. 6



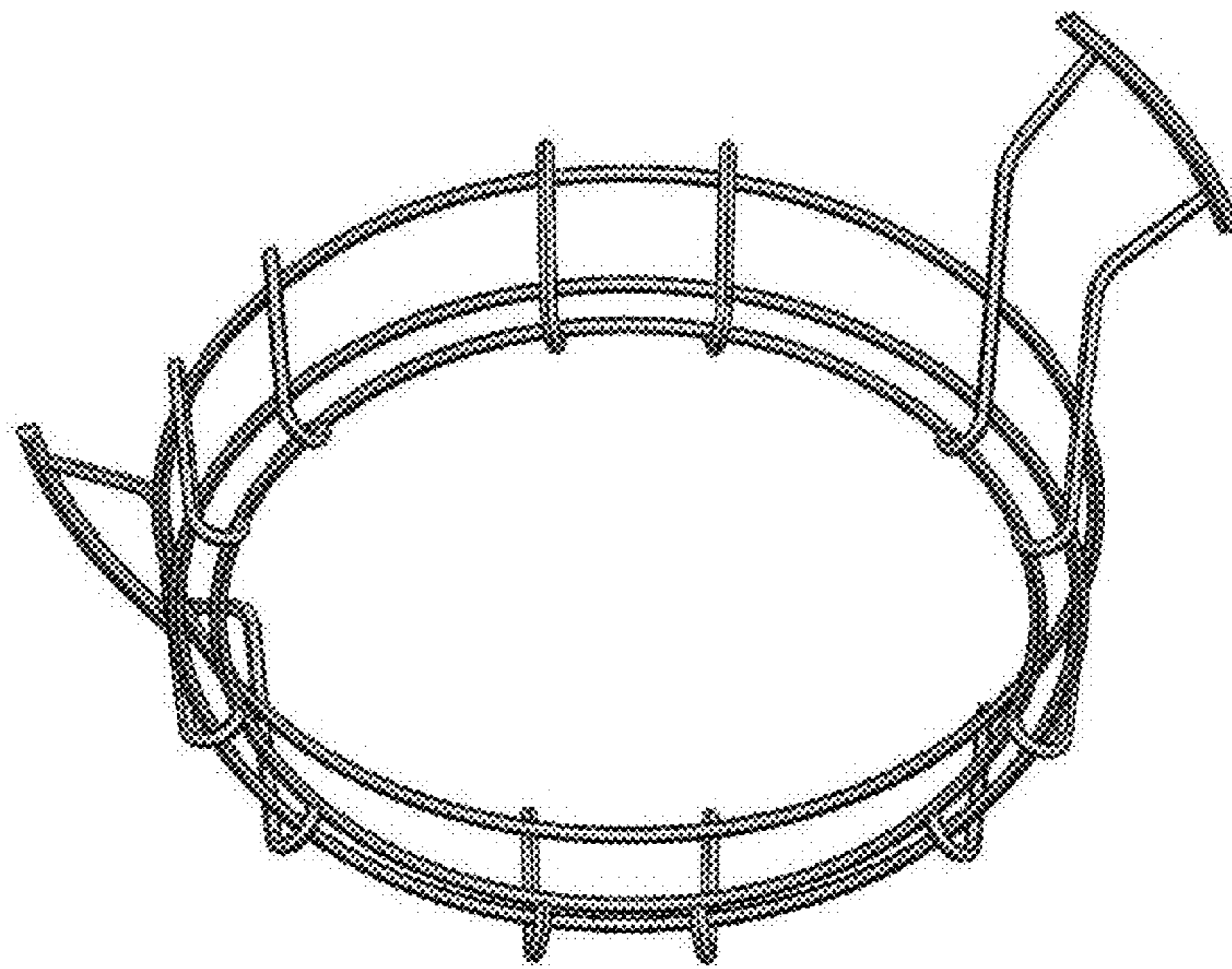


Fig. 7