



US00D878858S

(12) **United States Design Patent**  
**Liu**

(10) **Patent No.:** **US D878,858 S**

(45) **Date of Patent:** **\*\* Mar. 24, 2020**

- (54) **KNIFE**
- (71) Applicant: **Chia-Ming Liu**, Yunlin County (TW)
- (72) Inventor: **Chia-Ming Liu**, Yunlin County (TW)
- (\*\*) Term: **15 Years**
- (21) Appl. No.: **29/648,144**
- (22) Filed: **May 18, 2018**
- (51) **LOC (12) Cl.** ..... **07-03**
- (52) **U.S. Cl.**  
USPC ..... **D7/401.2; D7/649**
- (58) **Field of Classification Search**  
USPC ..... D7/393-395, 401.2, 642-652, 693,  
D7/695-696; D8/93, 97-100, 107, 300,  
D8/321; D22/117-118  
CPC ..... A01B 1/20; A01B 1/22; A22C 25/006;  
A47G 21/06; A47G 21/065; A61B  
17/3211; A61B 17/3213; B21D 53/64;  
B24D 15/08; B26B 1/00; B26B 1/08;  
B26B 1/10; B26B 3/00; B26B 3/02;  
B26B 3/03; B26B 3/04; B26B 3/06;  
B26B 5/00; B26B 5/001; B26B 5/007;  
B26B 7/00; B26B 7/005; B26B 9/00;  
B26B 9/02; B26B 11/00; B26B 11/006;  
B26B 17/00; B26B 17/006; B26B 29/02  
See application file for complete search history.

(56) **References Cited**

**U.S. PATENT DOCUMENTS**

- D559,044 S \* 1/2008 Ono ..... D7/649
- D637,049 S \* 5/2011 Ono ..... D7/649

- D773,888 S \* 12/2016 Liu ..... D7/401.2
- D796,913 S \* 9/2017 Liu ..... D7/649
- D809,862 S \* 2/2018 Petsche ..... D7/401.2
- D809,863 S \* 2/2018 Yamada ..... D7/401.2
- D842,663 S \* 3/2019 Heine ..... D7/649
- D849,476 S \* 5/2019 Heine ..... D7/401.2
- 2009/0158600 A1 \* 6/2009 Ishai ..... B25G 1/00  
30/314
- 2017/0136617 A1 \* 5/2017 Lucas, Jr. .... B25G 1/06

\* cited by examiner

*Primary Examiner* — Ricky Pham

(57) **CLAIM**

The ornamental design for a knife, as shown and described.

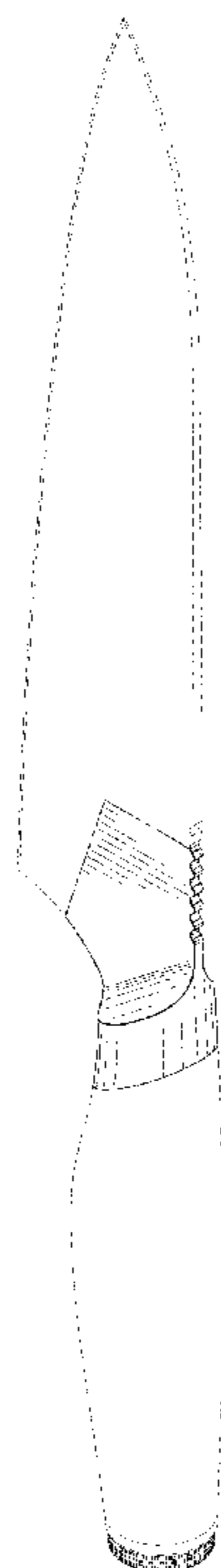
**DESCRIPTION**

FIG. 1 is a perspective view of a knife showing my new design;  
 FIG. 2 is a front elevational view thereof;  
 FIG. 3 is a rear elevational view thereof;  
 FIG. 4 is a left side elevational view thereof;  
 FIG. 5 is a right side elevational view thereof;  
 FIG. 6 is a top plan view thereof;  
 FIG. 7 is a bottom plan view thereof;  
 FIG. 8 is an enlarged view of the circled region 8 in FIG. 2;  
 FIG. 9 is an enlarged view of the circled region 9 in FIG. 4;  
 and,  
 FIG. 10 is an enlarged view of the circled region 10 in FIG. 6.

The dotted broken lines depict portions of a knife in which the design is embodied that form no part of the claimed design.

The dash-dot broken lines are for defining the bounds of the claimed design only and form no part of the claimed design.

**1 Claim, 10 Drawing Sheets**



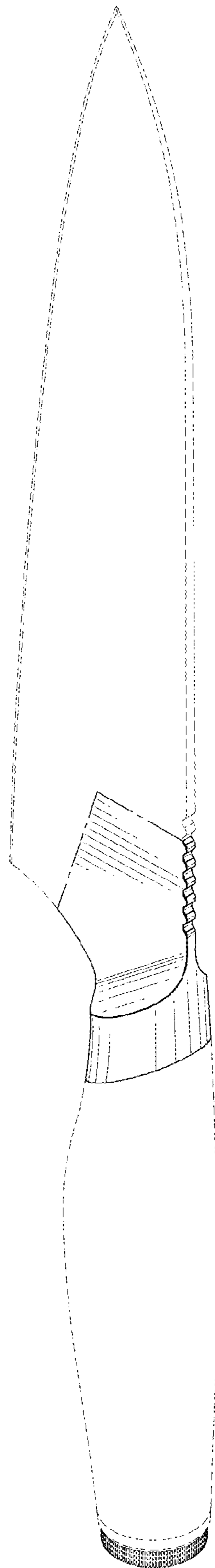


FIG. 1

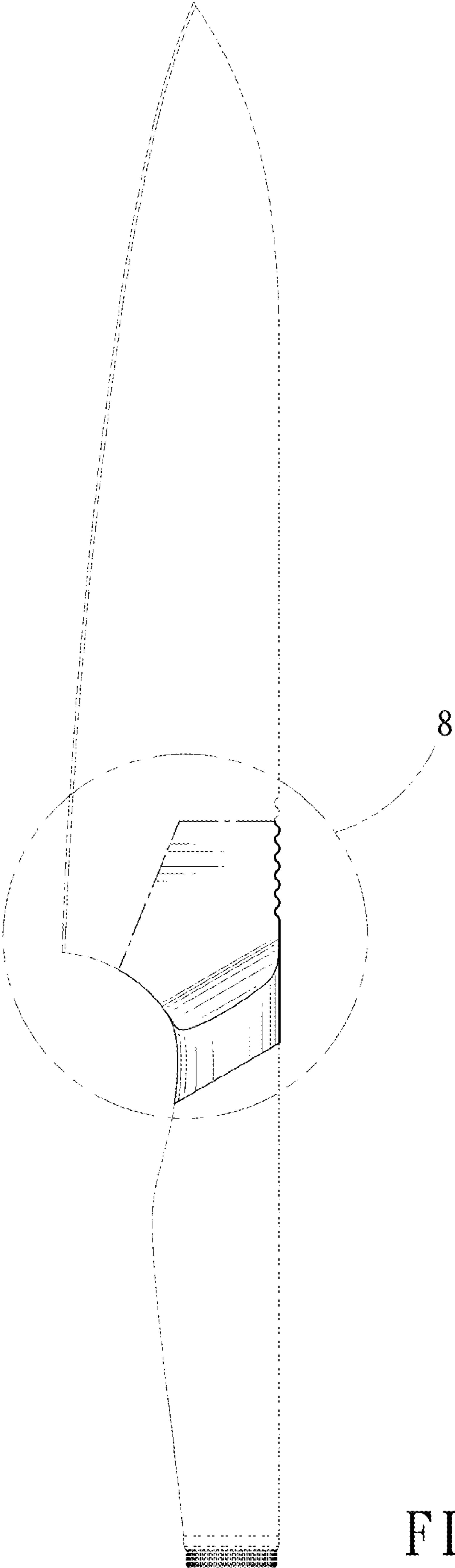


FIG. 2

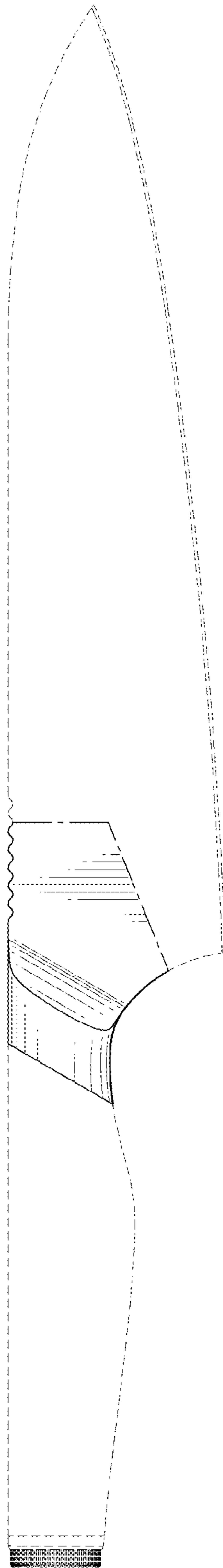


FIG. 3

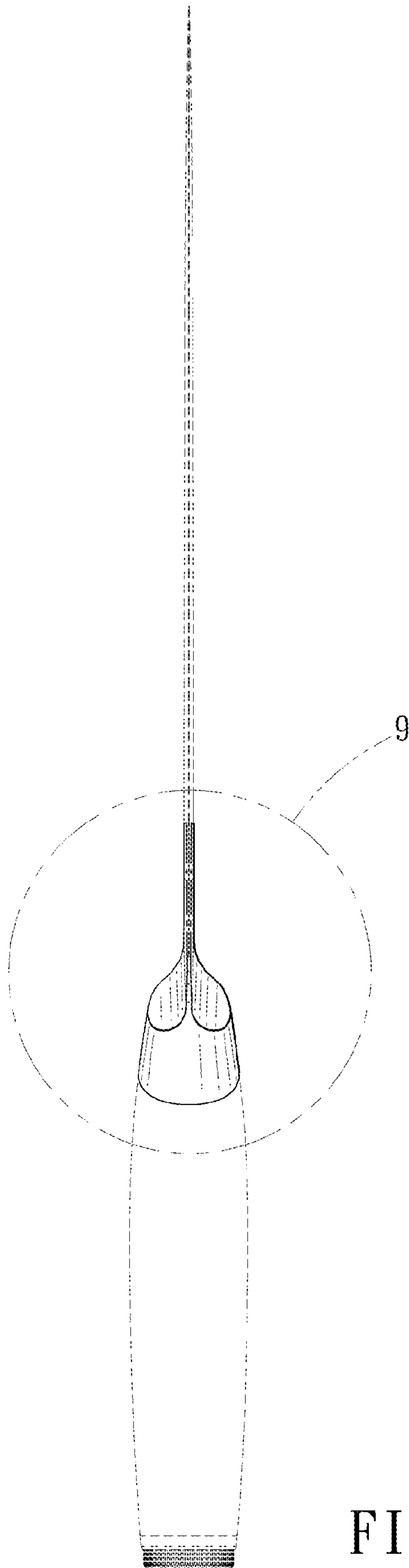


FIG. 4

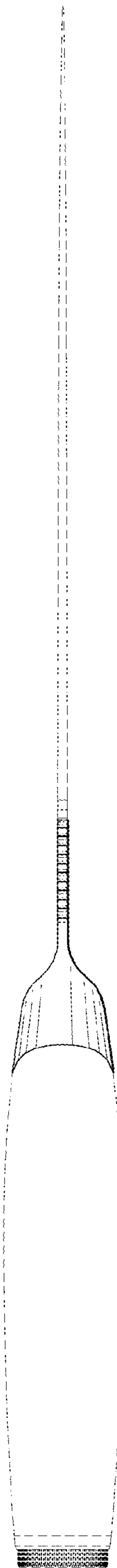


FIG. 5

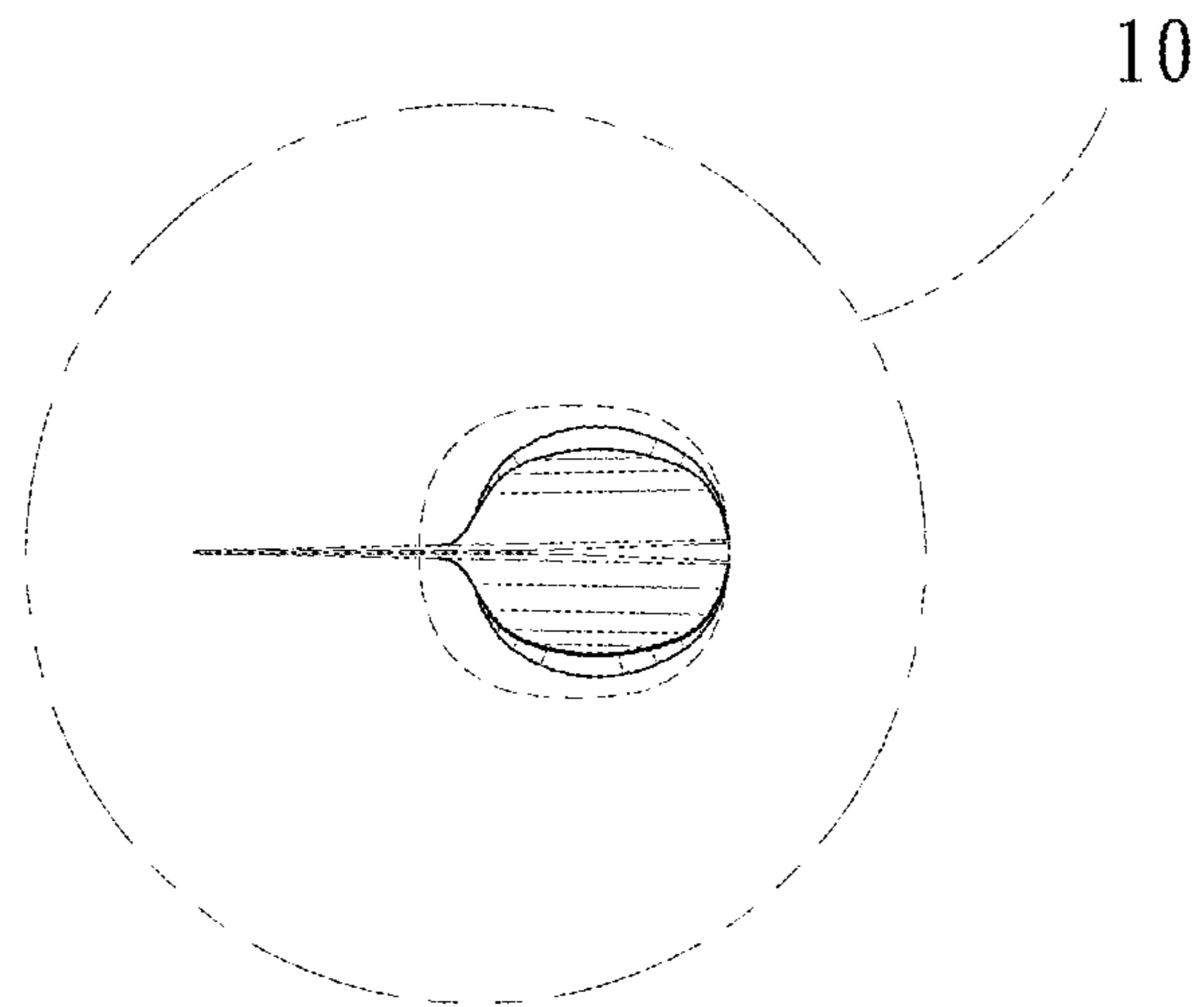


FIG. 6

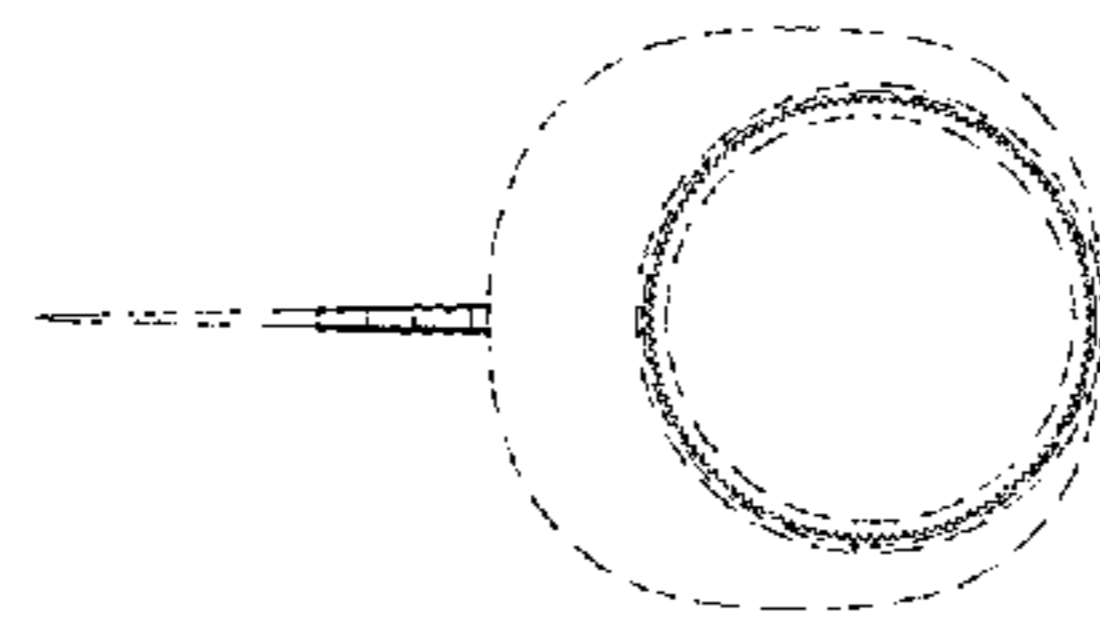


FIG. 7



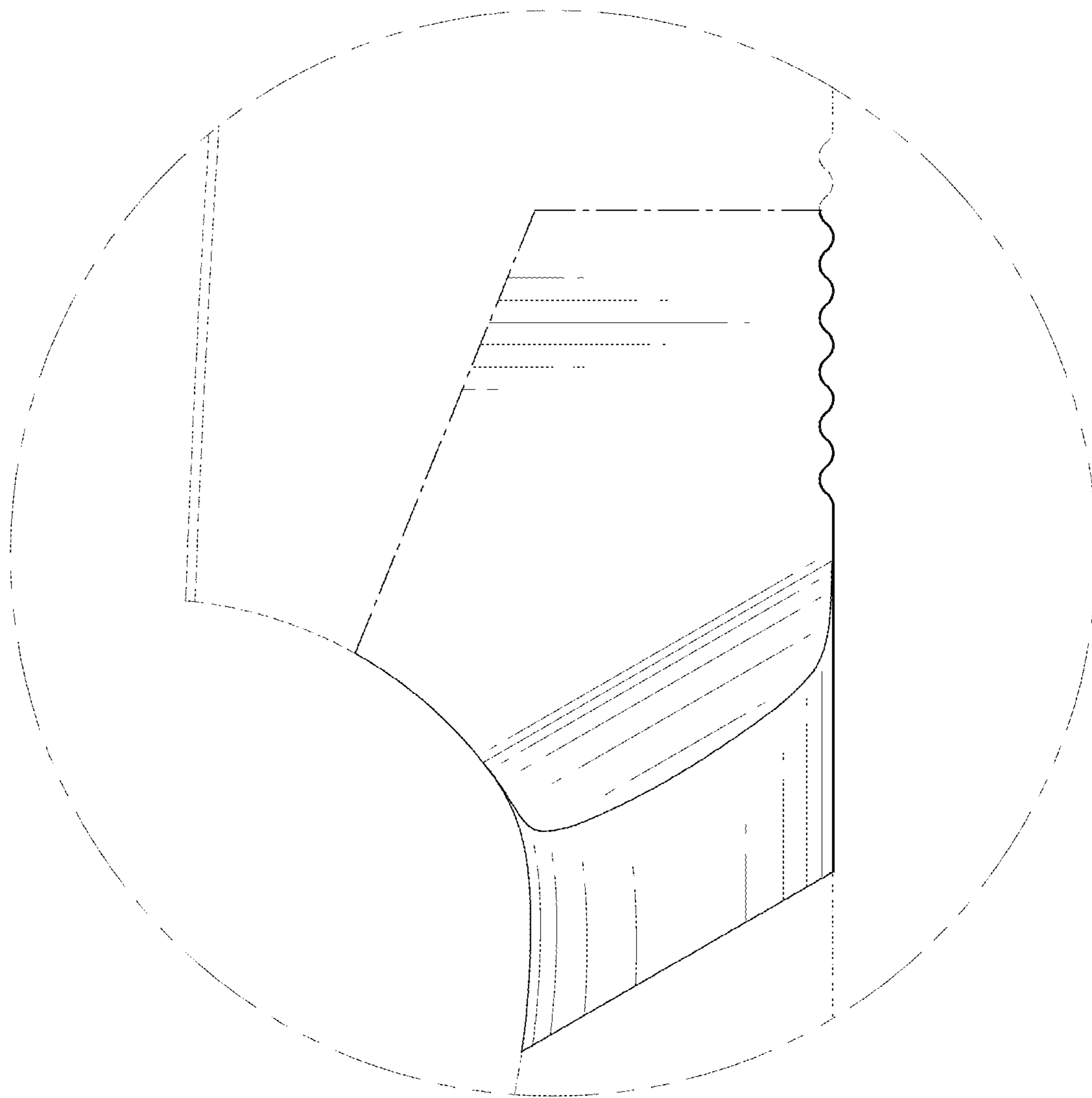


FIG. 8

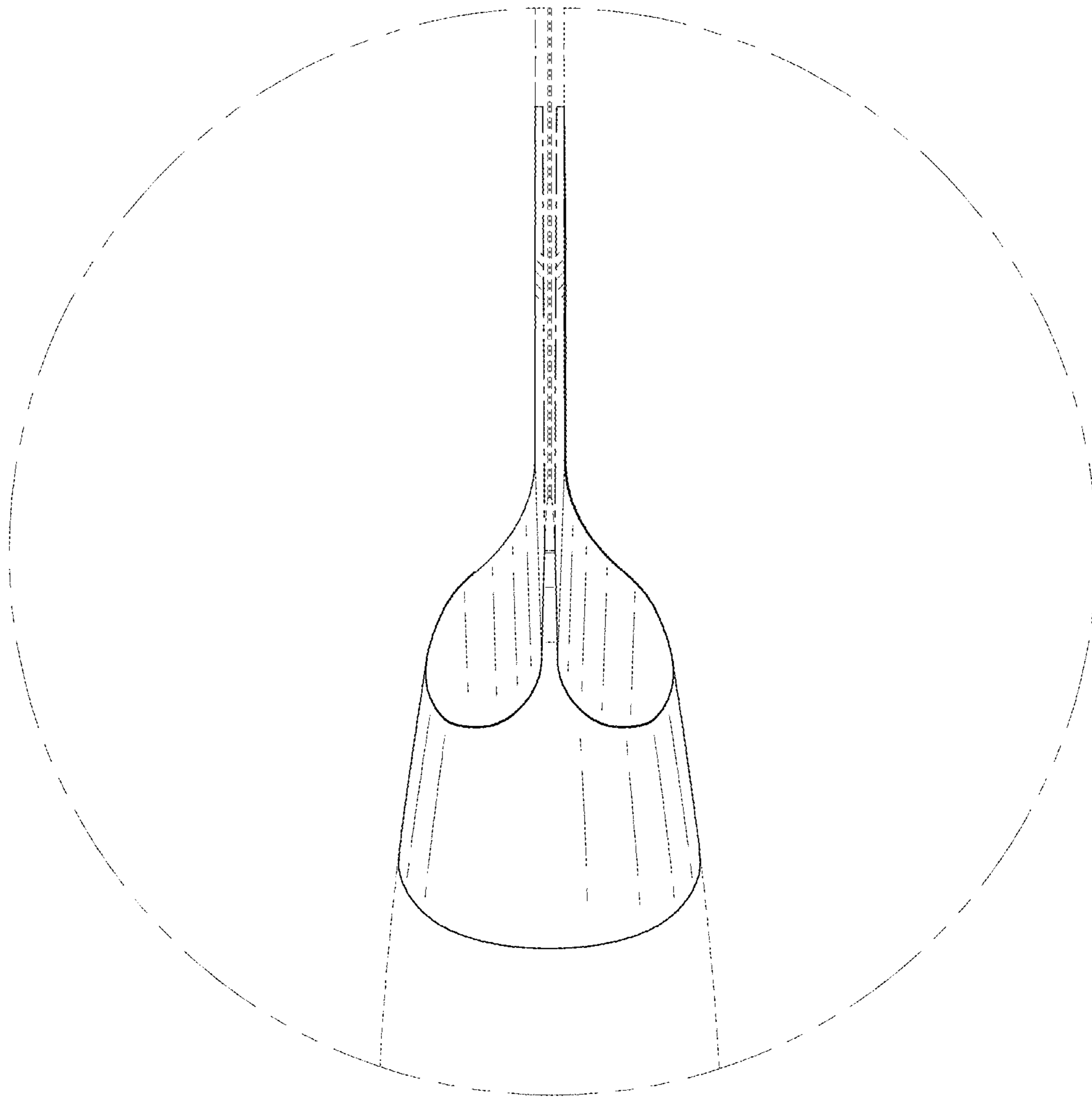


FIG. 9

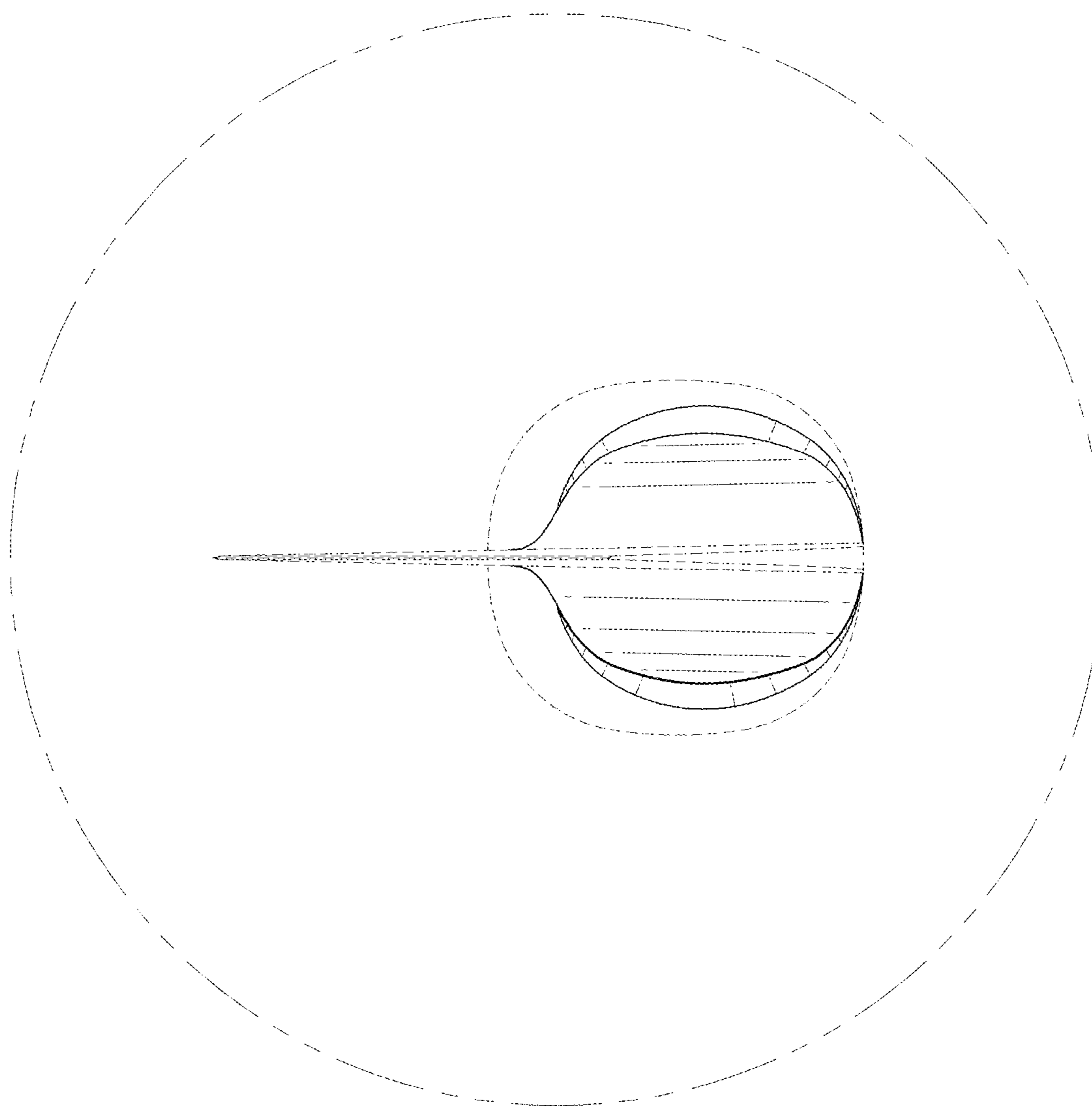


FIG. 10