



US00D878857S

(12) **United States Design Patent** (10) **Patent No.:** **US D878,857 S**
Ökmen et al. (45) **Date of Patent:** **** Mar. 24, 2020**

(54) **TURKISH COFFEE MAKER**

(56) **References Cited**

(71) Applicant: **ARÇELİK A.S.**, Istanbul (TR)

U.S. PATENT DOCUMENTS

(72) Inventors: **Asli Ökmen**, Istanbul (TR); **Nihat Duran**, Istanbul (TR); **Gizem Durakoglu Emre**, Istanbul (TR); **Can Onur Vancı**, Istanbul (TR); **Özlem Kök Gültekin**, Istanbul (TR); **Tamer Yüksek**, Istanbul (TR); **Dogaç Can Sağirosmoğlu**, Istanbul (TR); **Ece Çinar**, Istanbul (TR)

D497,510 S * 10/2004 Comorera Ivanov D7/307
D541,097 S * 4/2007 Leverrier D7/300
D575,977 S * 9/2008 Rose D7/309
D615,339 S * 5/2010 Bronwasser D7/306
D707,485 S * 6/2014 Thul D7/300
D775,887 S * 1/2017 Atkin D7/306
D793,146 S * 8/2017 Palermo D7/306
D811,794 S * 3/2018 Palermo D7/309
D823,039 S * 7/2018 Grassia D7/309
D846,934 S * 4/2019 Tewari D7/306

* cited by examiner

(73) Assignee: **Arçelik A.S.**, Istanbul (TR)

Primary Examiner — Robert M. Spear

(**) Term: **15 Years**

(74) *Attorney, Agent, or Firm* — Fox Rothschild LLP

(21) Appl. No.: **35/505,657**

(57) **CLAIM**

(22) Filed: **Mar. 21, 2018**

The ornamental design for a Turkish coffee maker, as shown and described.

(80) **Hague Agreement Data**

DESCRIPTION

Int. Filing Date: **Mar. 21, 2018**

Turkish coffee maker

Int. Reg. No.: **DM/101731**

2.1: Front

Int. Reg. Date: **Mar. 21, 2018**

2.2: Right

Int. Reg. Pub. Date: **Sep. 21, 2018**

2.3: Left

(51) **LOC (12) Cl.** **07-99**

2.4: Top

(52) **U.S. Cl.**

2.5: Left perspective view

USPC **D7/399**

2.6: Right perspective view

(58) **Field of Classification Search**

USPC D7/300, 305–315, 397–400

2.7: Left back perspective view

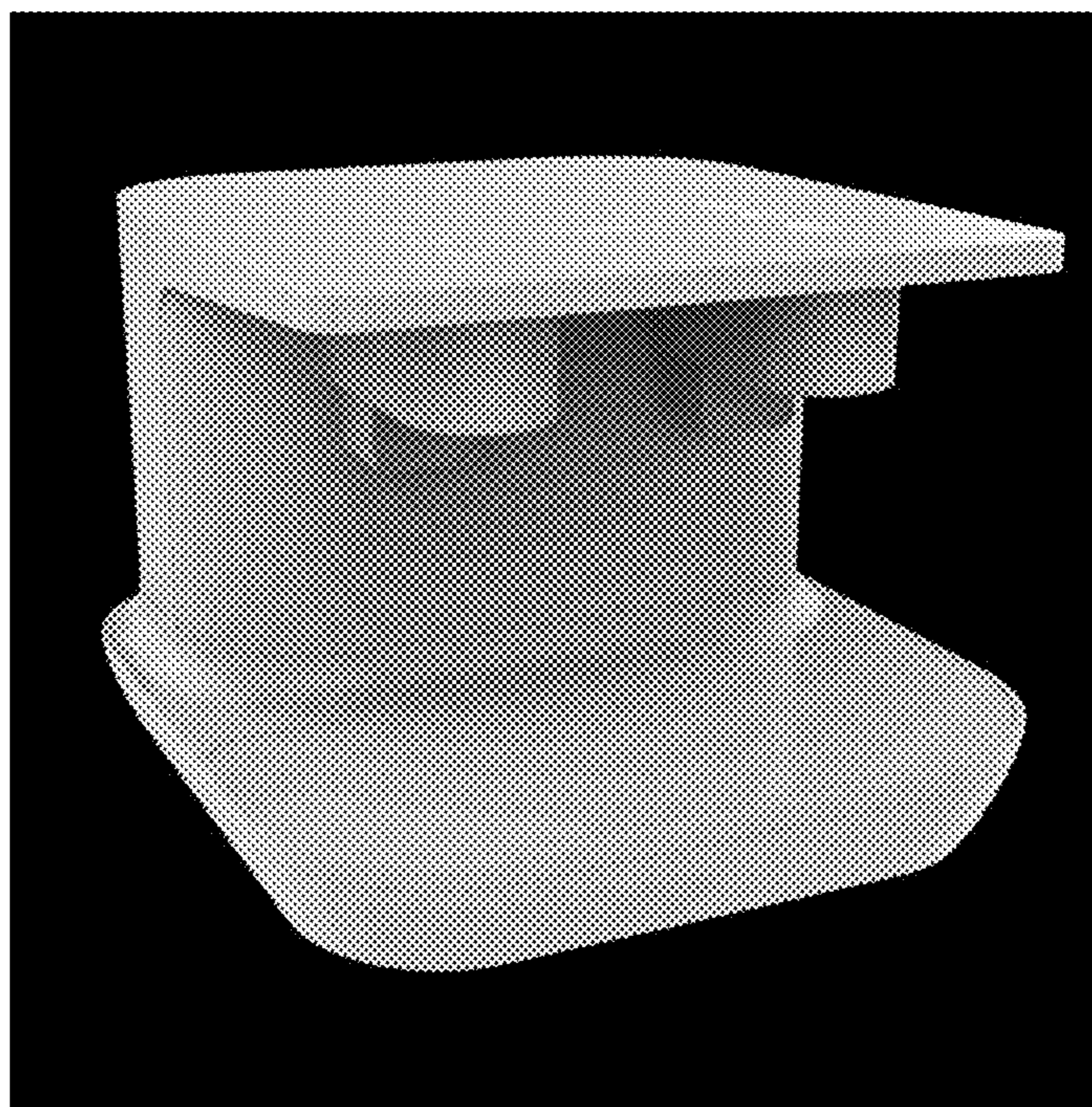
CPC .. A47J 31/40; A47J 31/42; A47J 31/10; A47J 31/24; A47J 31/4485; A47J 31/02

2.8: Right back perspective view

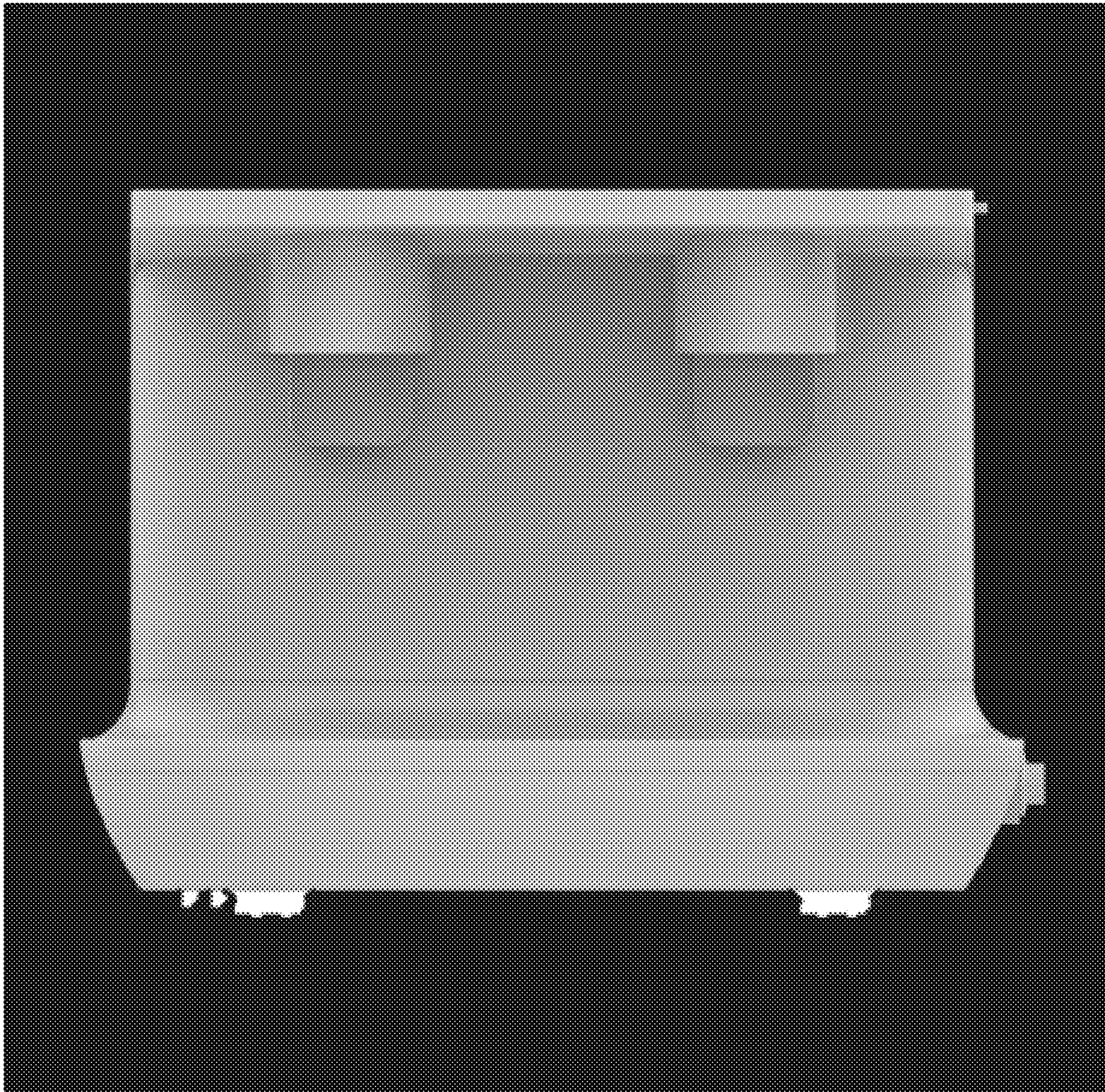
See application file for complete search history.

The portions of the base of the Turkish coffee maker shown in white in FIGS. 2.1, 2.2 and 2.3 form no part of the claimed design.

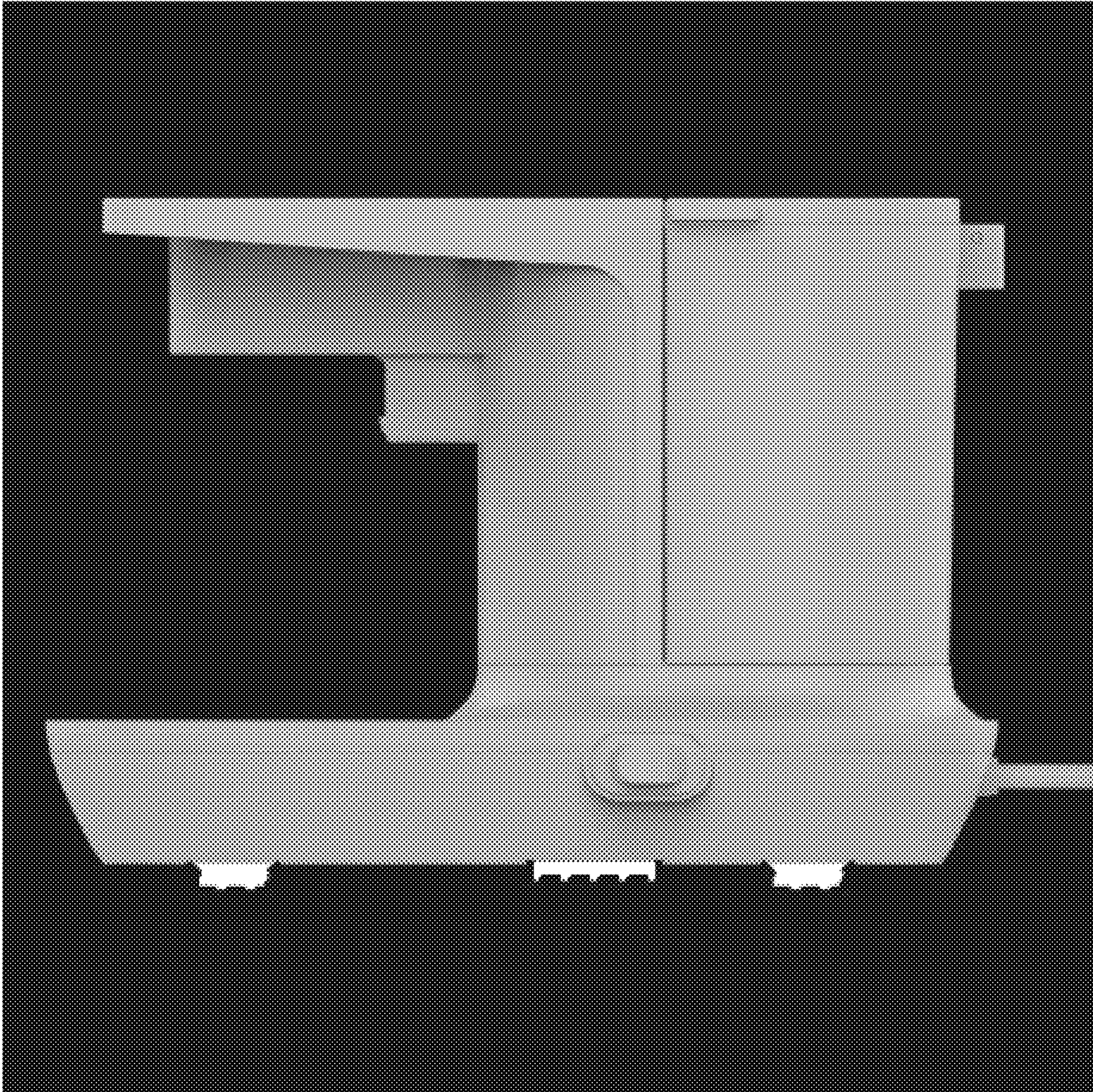
1 Claim, 8 Drawing Sheets



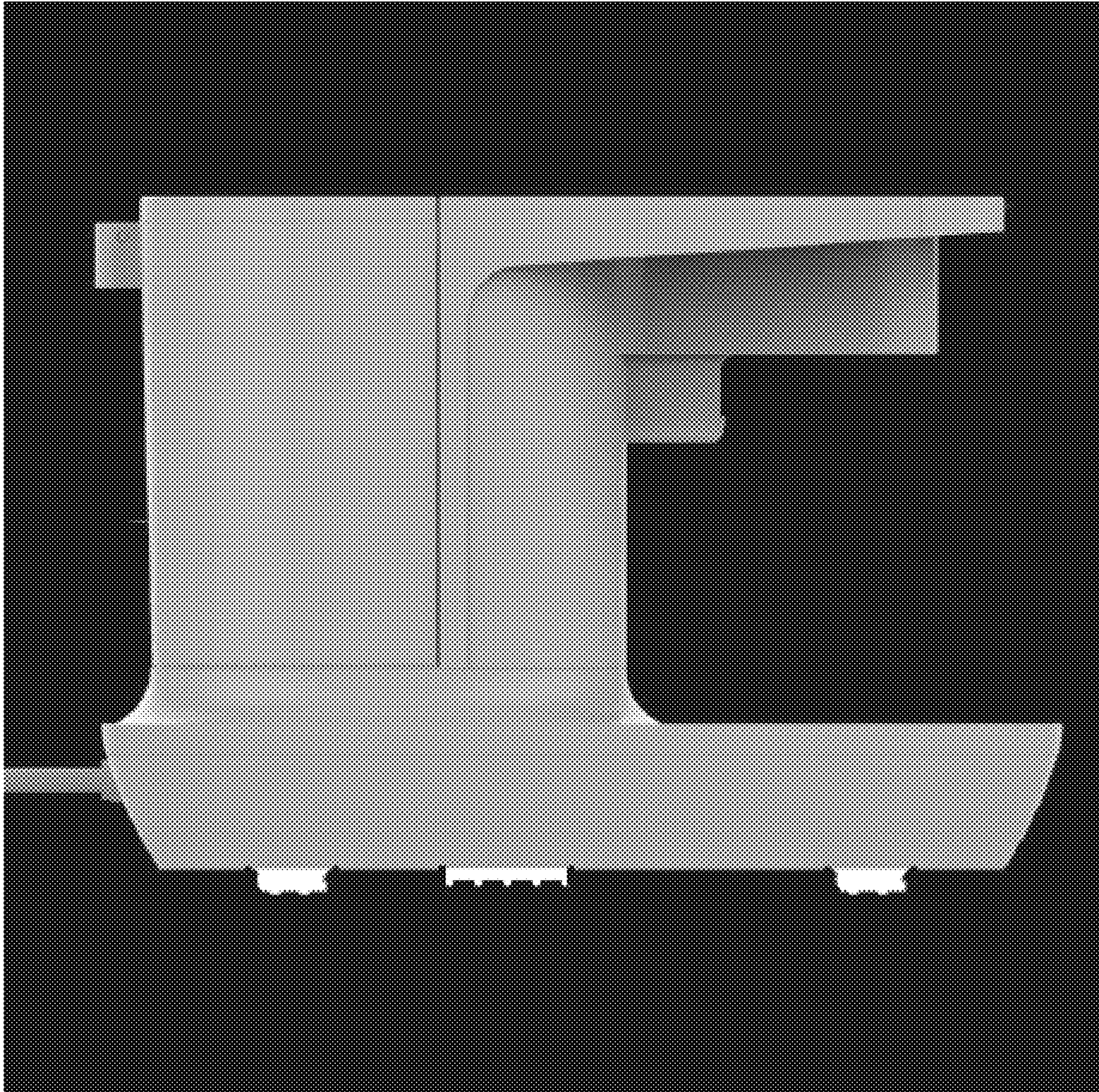
2.1



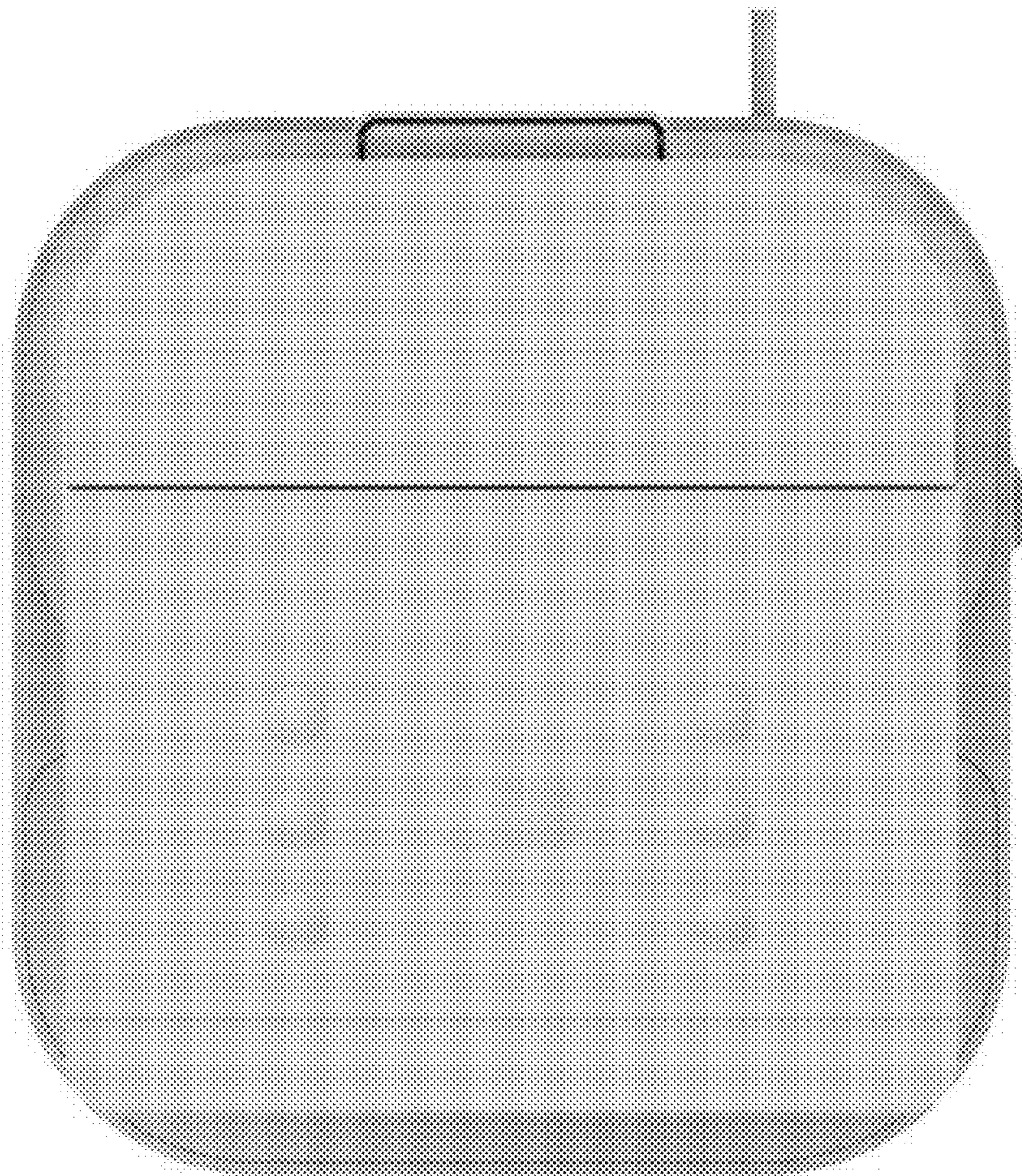
2.2



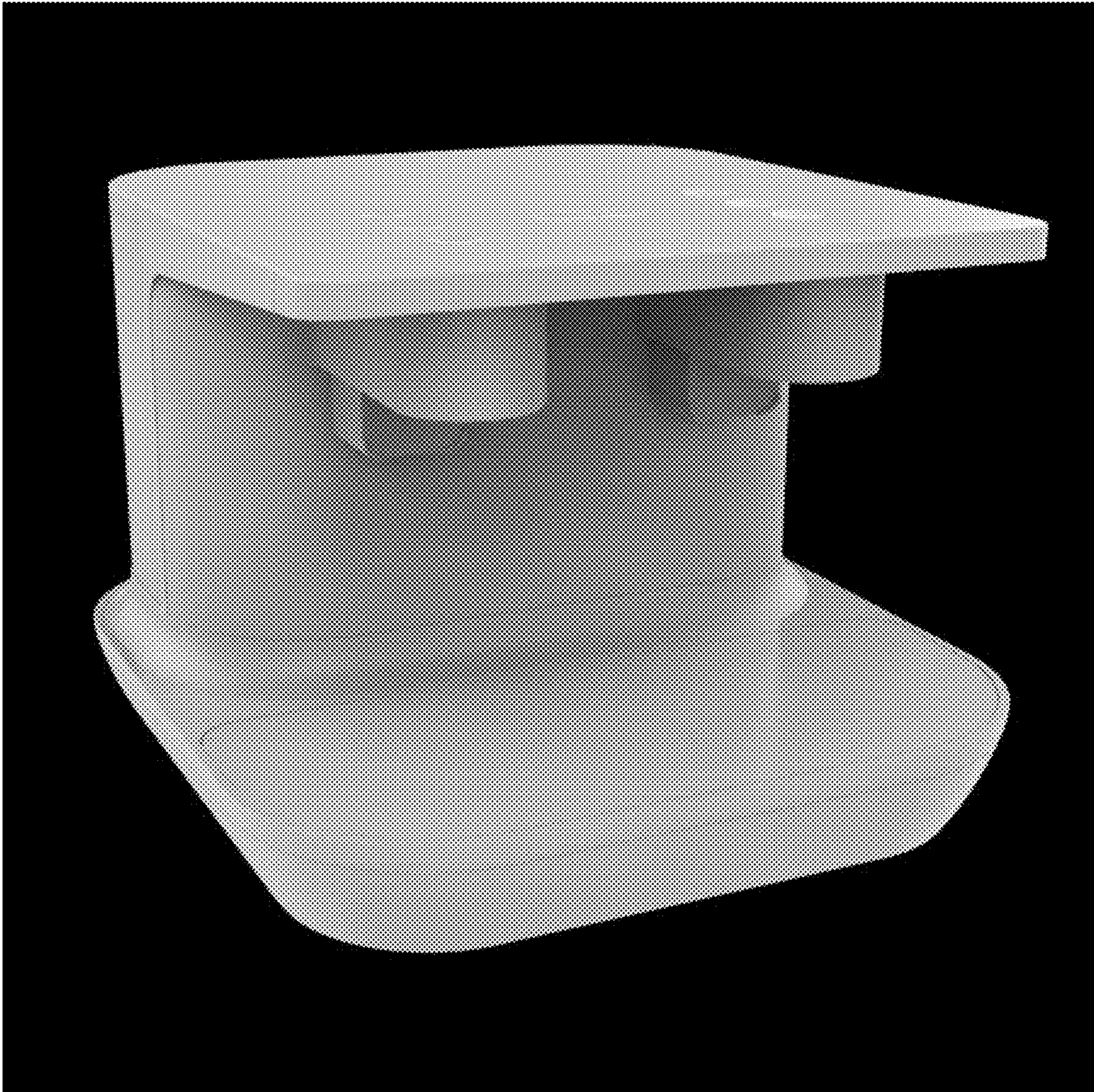
2.3



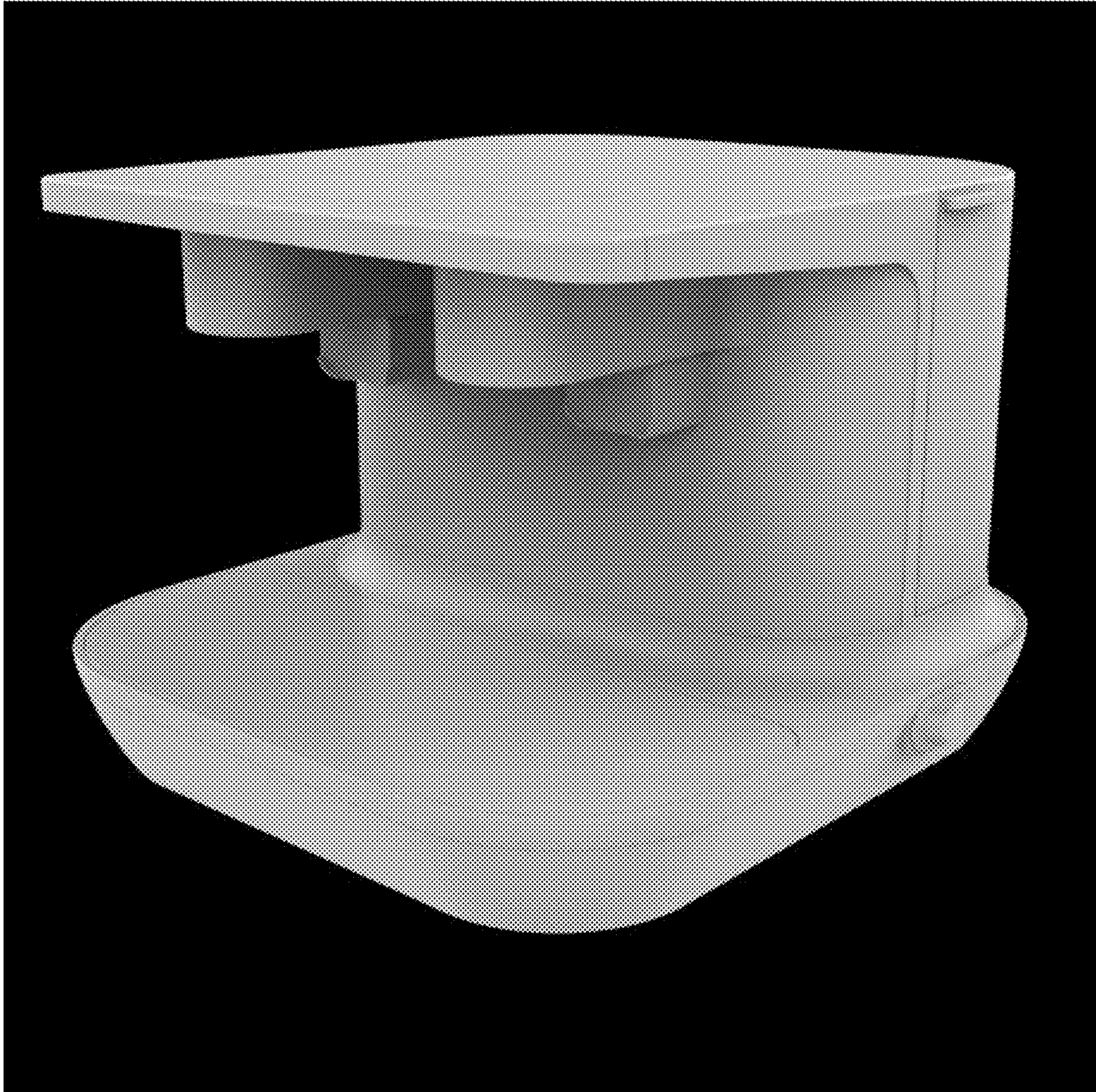
2.4



2.5



2.6



2.7



2.8

