



US00D878856S

(12) **United States Design Patent** (10) **Patent No.:** **US D878,856 S**  
**Carson** (45) **Date of Patent:** **\*\* Mar. 24, 2020**

(54) **TAP HANDLE** 6,953,256 B2 \* 10/2005 Turner ..... B67D 1/0872  
362/101  
(71) Applicant: **PLATFORM BEERS, LLC,** D636,224 S \* 4/2011 Shin ..... D7/397  
Cleveland, OH (US) D734,509 S \* 7/2015 Bukkems ..... D26/2  
D741,644 S \* 10/2015 Yoder ..... D7/397  
(72) Inventor: **Justin Carson,** Cleveland, OH (US) D742,166 S \* 11/2015 Hamill ..... D10/68  
D771,283 S \* 11/2016 Ke ..... D26/2

(73) Assignee: **PLATFORM BEERS, LLC,**  
Cleveland, OH (US)

\* cited by examiner

(\*\*) Term: **15 Years**

*Primary Examiner* — Derrick E Holland

*Assistant Examiner* — Andrew Kerr

(21) Appl. No.: **29/604,755**

(74) *Attorney, Agent, or Firm* — Tucker Ellis LLP; Carlos Garritano

(22) Filed: **May 19, 2017**

(51) **LOC (12) Cl.** ..... **07-99**

(57) **CLAIM**

(52) **U.S. Cl.**  
USPC ..... **D7/398**

The ornamental design for a tap handle, as shown and described.

(58) **Field of Classification Search**  
USPC ..... D7/387, 397, 398, 312, 313; D26/1-3  
CPC ..... B67D 1/0872; B67D 1/0892; B67D 3/00  
See application file for complete search history.

**DESCRIPTION**

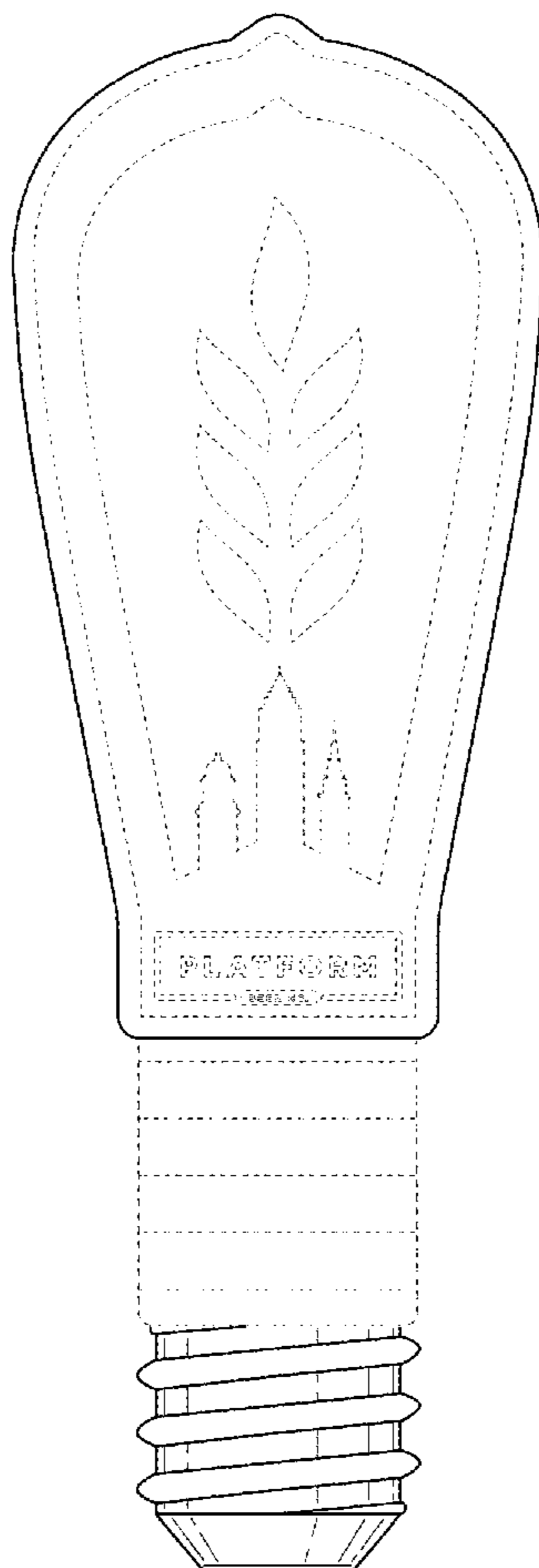
FIG. 1 is a front view of a tap handle showing my new design, wherein the rear view is a mirror image thereof; and, FIG. 2 is a left side view of the tap handle illustrated in FIG. 1, wherein the right side view is a mirror image thereof. The broken lines in the drawings illustrate the portions of the tap handle that form no part of the claimed design.

(56) **References Cited**

U.S. PATENT DOCUMENTS

2,145,761 A \* 1/1939 Fisher ..... F16K 31/60  
40/332  
D396,994 S \* 8/1998 Carrino ..... D7/393

**1 Claim, 2 Drawing Sheets**



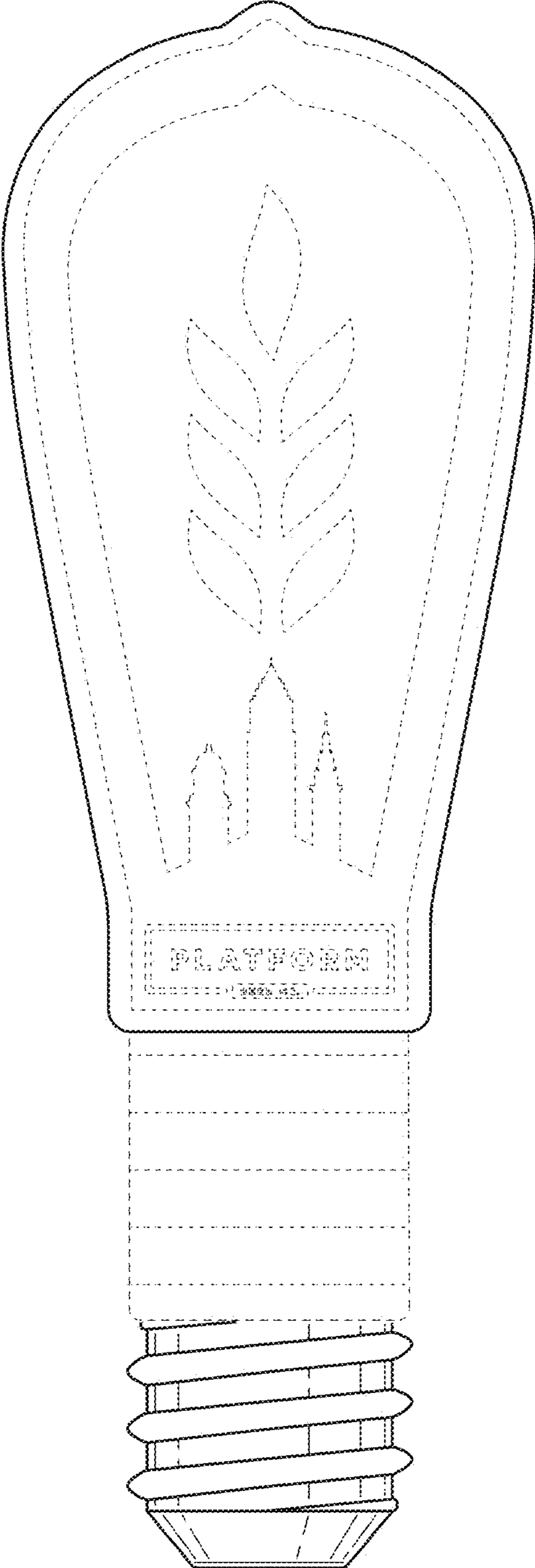


FIG. 1

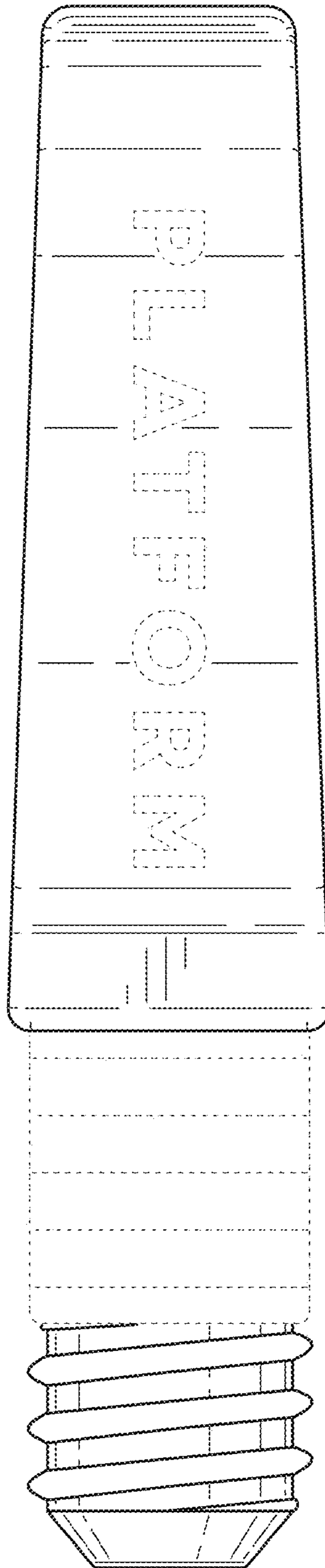


FIG. 2