

US00D878855S

(12) **United States Design Patent**
Nucci

(10) **Patent No.:** **US D878,855 S**

(45) **Date of Patent:** **** Mar. 24, 2020**

(54) **MUG CAP**

(71) Applicant: **Cotapaxi Custom Design and Manufacturing LLC**, Carlstadt, NJ (US)

(72) Inventor: **Marc Nucci**, Wayne, NJ (US)

(73) Assignee: **Cotapaxi Custom Design and Manufacturing LLC**, Carlstadt, NJ (US)

(**) Term: **15 Years**

(21) Appl. No.: **29/682,044**

(22) Filed: **Mar. 1, 2019**

(51) **LOC (12) Cl.** **07-99**

(52) **U.S. Cl.**
USPC **D7/392.1; D7/396.2; D9/443; D9/452**

(58) **Field of Classification Search**
USPC D9/414, 434-436, 438-440, 443-457, D9/499, 503-505, 682, 685, 686; D7/387, 391, 392, 392.1, 396.2-396.4, D7/401.1, 507, 509-511, 538, 900; D3/202, 203.2, 318; D28/91.1

CPC .. A61J 1/00; A61J 1/1412; B65D 1/00; B65D 1/02; B65D 1/10; B65D 1/46; B65D 5/46; B65D 41/00; B65D 41/38; B65D 41/56; B65D 41/62; B65D 47/00; B65D 47/06; B65D 47/08; B65D 2251/00; B65D 2543/00046; B65D 2543/00092; B65D 2543/00296; B65D 2585/56; B65D 2585/545

See application file for complete search history.

(56) **References Cited**

U.S. PATENT DOCUMENTS

D332,379 S * 1/1993 Murphy D9/443
D608,195 S * 1/2010 Germann D9/443

D626,837 S * 11/2010 Meyers D9/443
D626,838 S * 11/2010 Meyers D9/443
D634,160 S * 3/2011 Cetera D7/510
D652,256 S * 1/2012 Eyal D7/510
D656,357 S * 3/2012 Enghard D7/300.1
D691,849 S * 10/2013 Cetera D7/392.1
D696,551 S * 12/2013 Meyers D7/392.1
D702,489 S * 4/2014 Steel D7/392.1
D726,476 S * 4/2015 Ercanbrack D7/300.1
D739,174 S * 9/2015 Elsaden D7/392.1
D742,230 S * 11/2015 Charles D7/396.2
D745,827 S * 12/2015 Sorensen D7/392.1
D748,478 S * 2/2016 Sorensen D9/443
D752,382 S * 3/2016 Ksiazek D7/392.1
D752,390 S * 3/2016 Ksiazek D7/300.1
D758,127 S * 6/2016 Zhao D7/396.2

(Continued)

Primary Examiner — Michael A. Pratt

Assistant Examiner — Wendy L Arminio

(74) *Attorney, Agent, or Firm* — Steven E. Shapiro

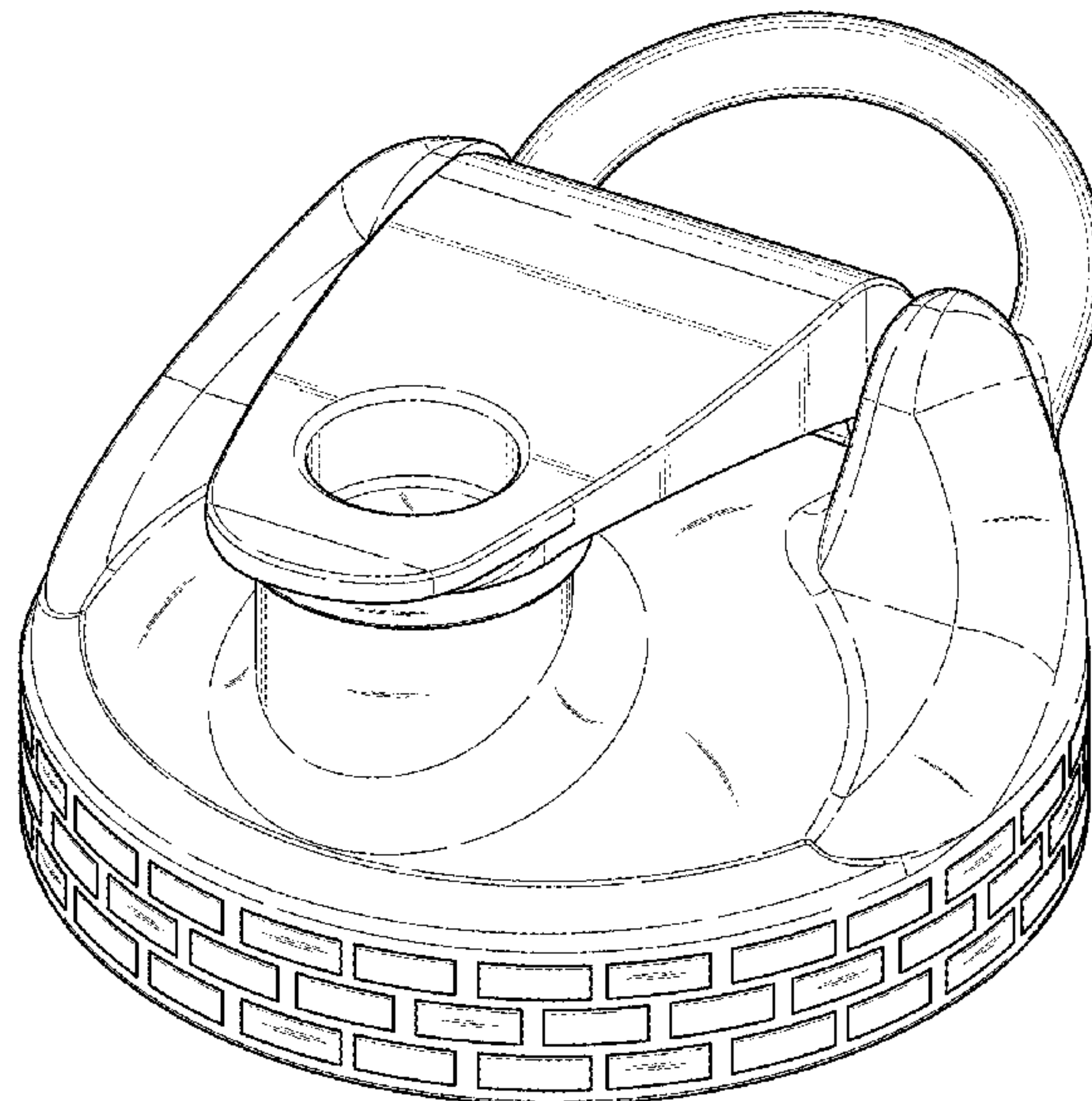
(57) **CLAIM**

The ornamental design for a mug cap, as shown and described.

DESCRIPTION

FIG. 1 is a top, front, right perspective view of a mug cap; FIG. 2 is a bottom, front, left perspective view of a mug cap; FIG. 3 is a front elevation view of the mug cap; FIG. 4 is a rear elevation view of the mug cap; FIG. 5 is a left side elevation view of the mug cap; FIG. 6 is a right side elevation view of the mug cap; FIG. 7 is a top plan view of the mug cap; FIG. 8 is a bottom plan view of the mug cap; and, FIG. 9 is a top, right, rear perspective view of the mug cap. The broken lines, and the areas inside the broken lines, represent portions of the mug cap that form no part of the claimed design.

1 Claim, 9 Drawing Sheets



(56)

References Cited

U.S. PATENT DOCUMENTS

D760,007 S * 6/2016 Barratt D7/510
D768,491 S * 10/2016 Sorensen D7/392.1
D771,990 S * 11/2016 Horowitz D7/510
D780,516 S * 3/2017 Cornelius D7/510
D794,386 S * 8/2017 Steel D7/396.2
D801,111 S * 10/2017 Eyal D7/392.1
D807,110 S * 1/2018 Lown D7/391
D814,867 S * 4/2018 Steel D7/515
D818,774 S * 5/2018 Stover D7/510
D820,038 S * 6/2018 Sorensen D7/392.1
D853,181 S * 7/2019 Stanton D7/392.1
D854,880 S * 7/2019 Meyers D7/392.1
D858,181 S * 9/2019 Lown D9/452
D859,919 S * 9/2019 Gronkowski D7/510
D869,229 S * 12/2019 Hao D7/392.1
2011/0253733 A1 * 10/2011 Meyers B65D 51/242
220/833
2014/0069918 A1 * 3/2014 Meyers B65D 51/242
220/212.5
2014/0360908 A1 * 12/2014 Sorensen B65D 21/0228
206/501
2015/0201775 A1 * 7/2015 Sorensen B65D 43/16
222/482
2017/0225850 A1 * 8/2017 Sorensen B65D 47/0895

* cited by examiner

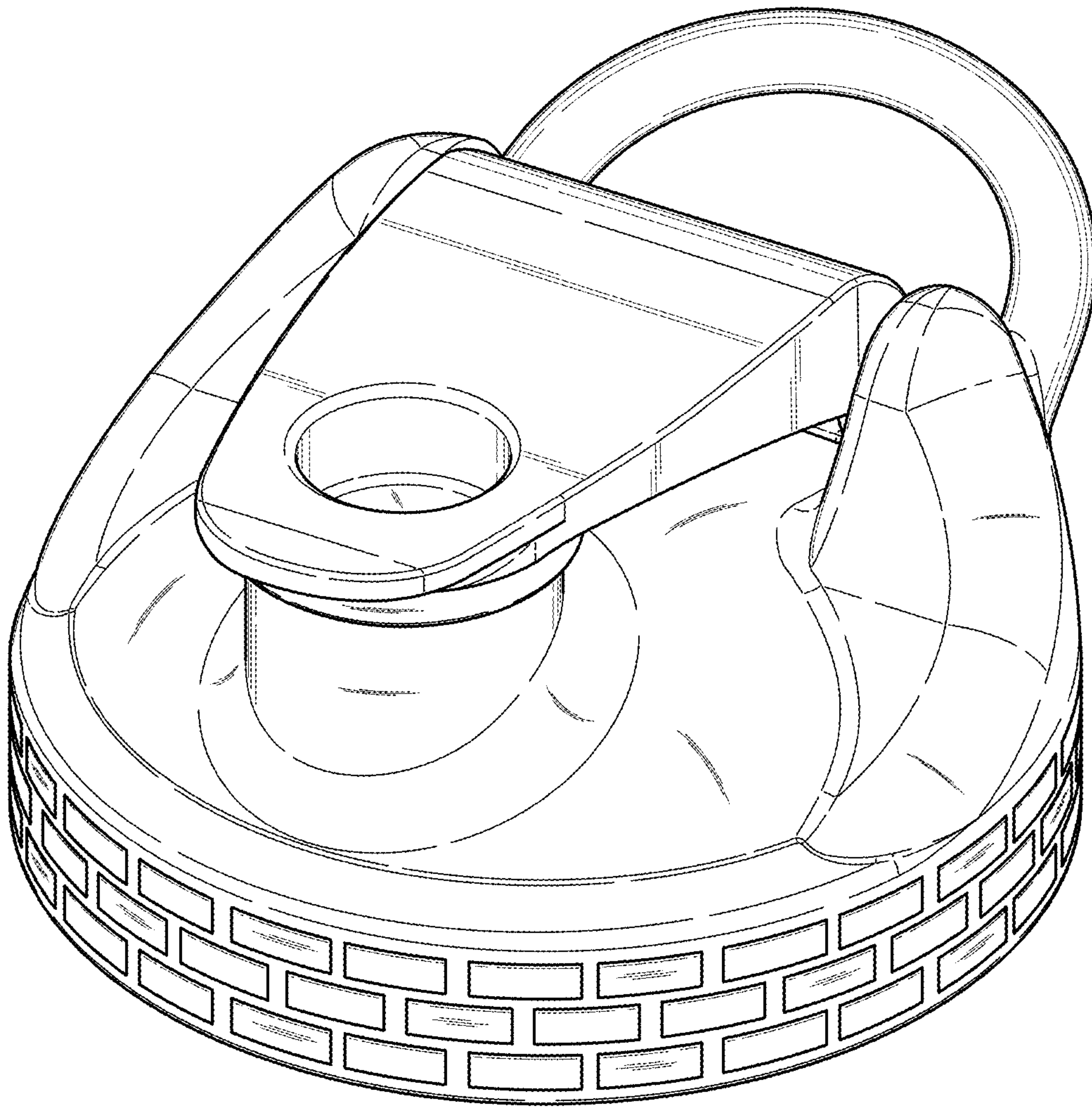


FIG. 1

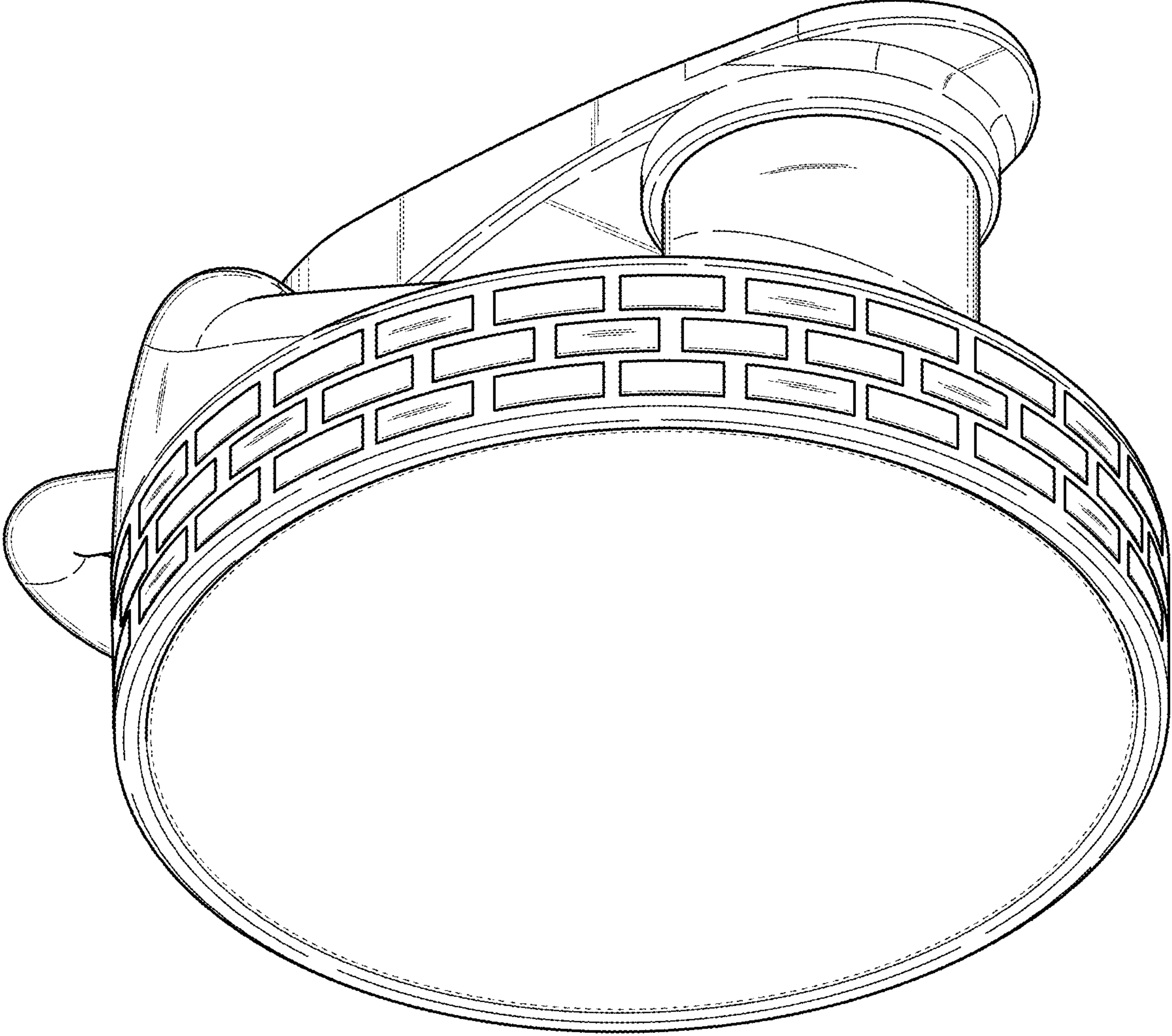


FIG. 2

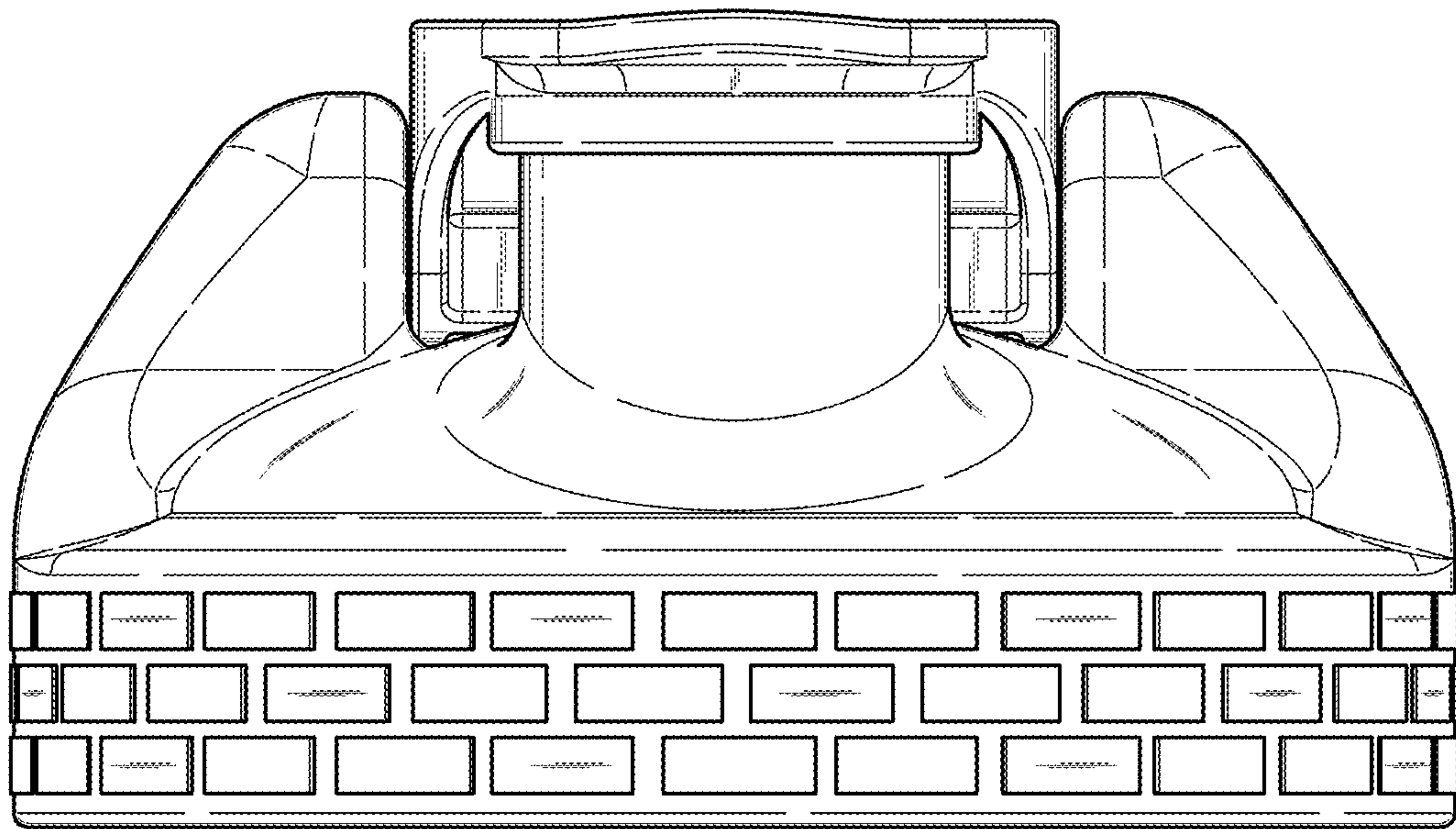


FIG. 3

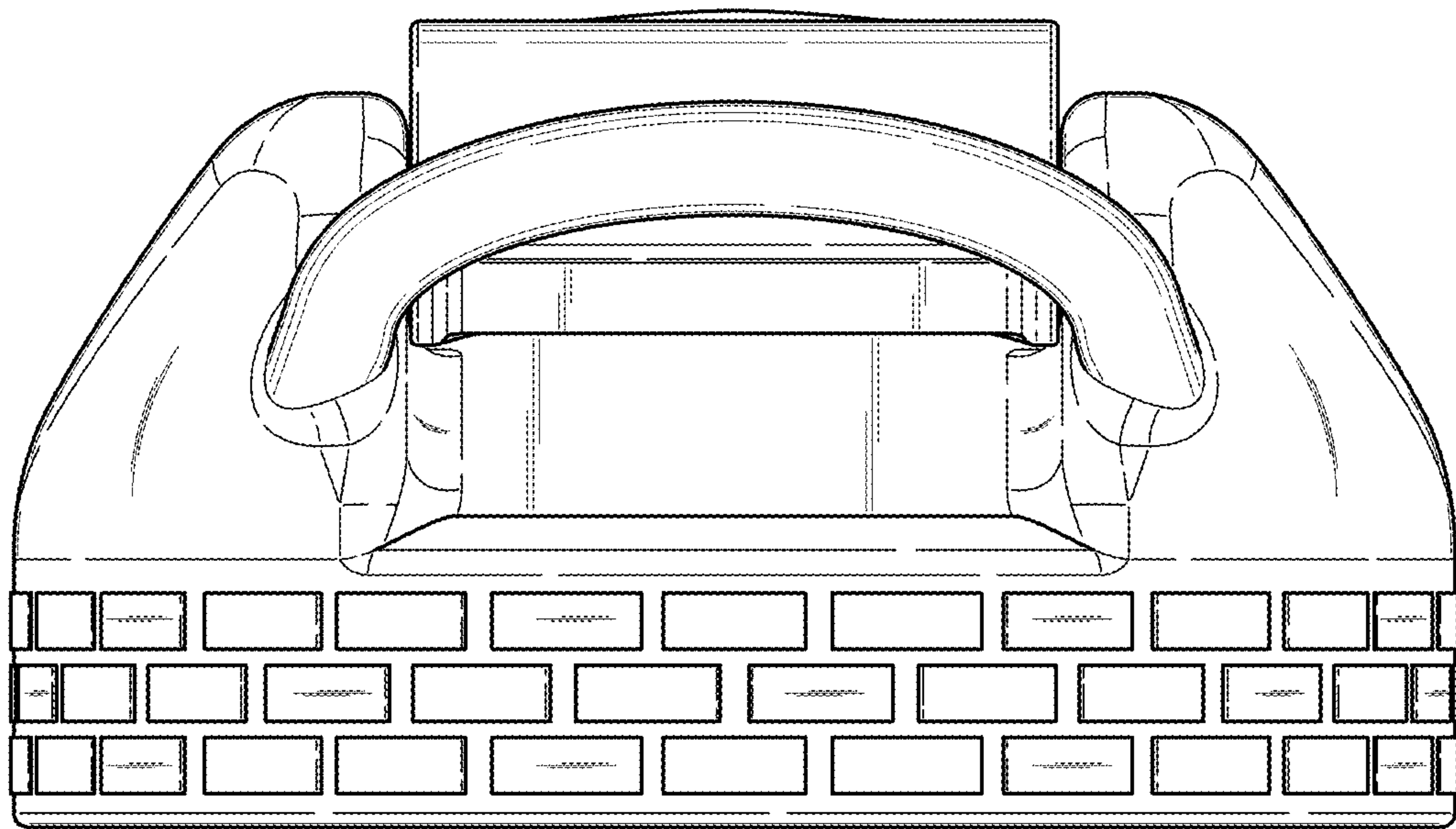


FIG. 4

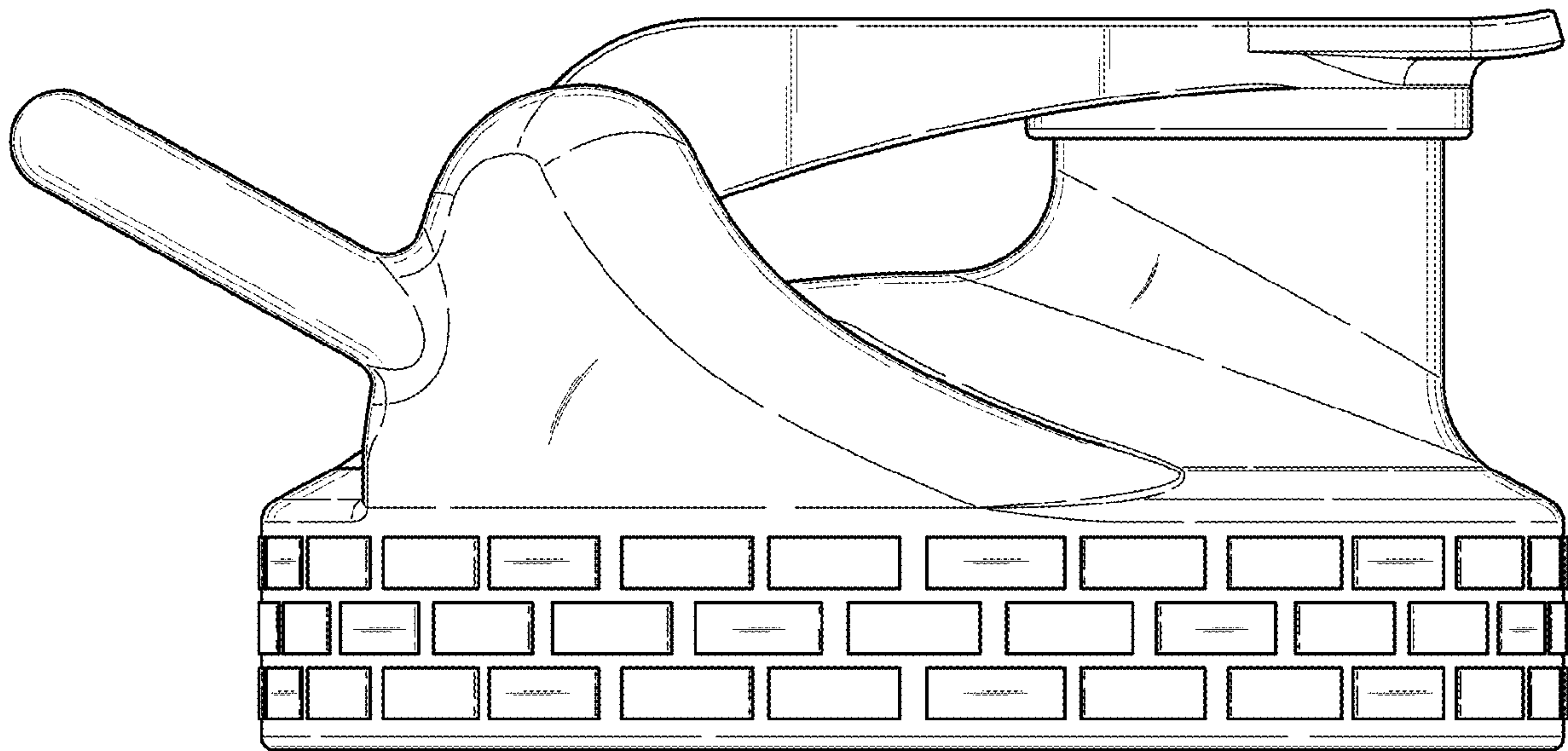


FIG. 5

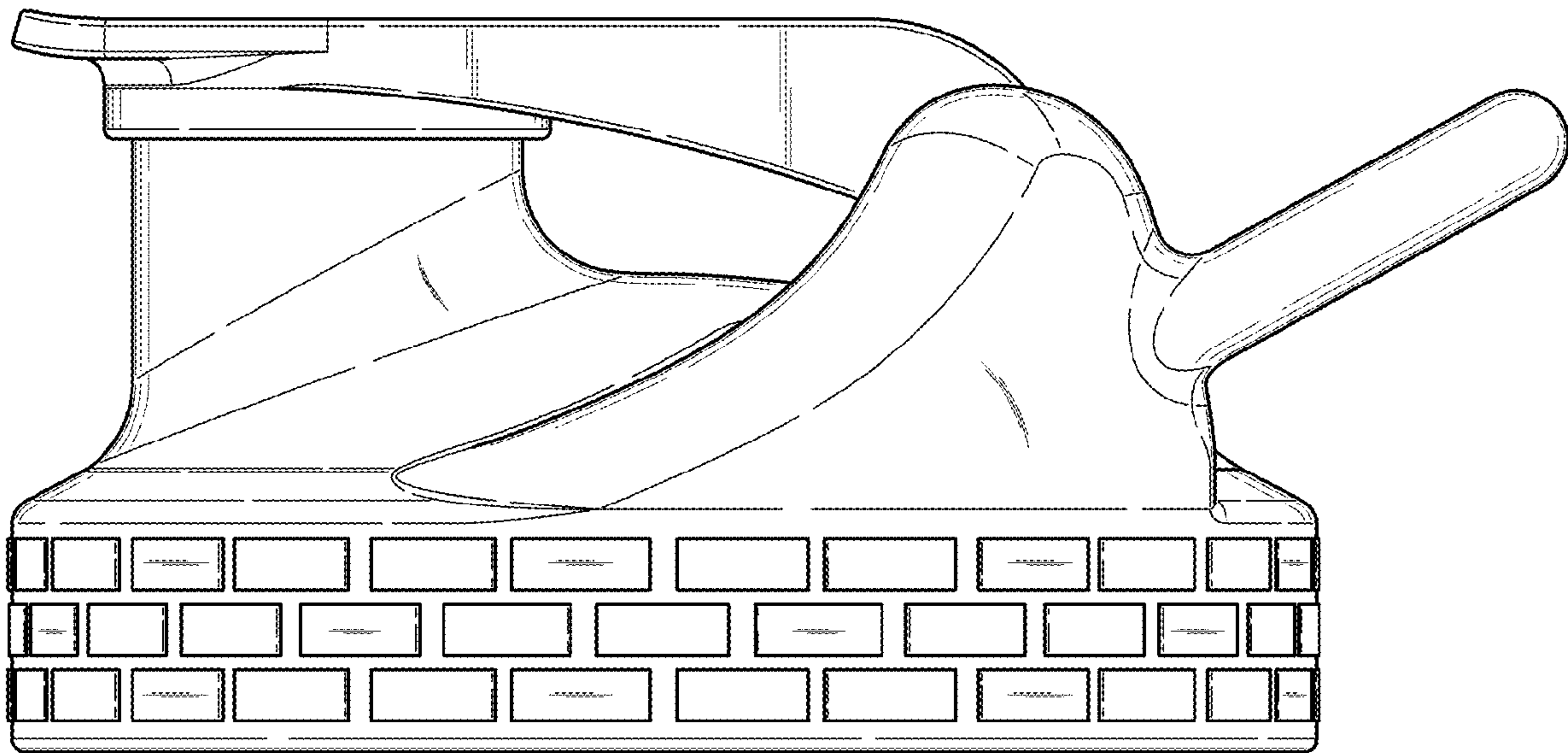


FIG. 6

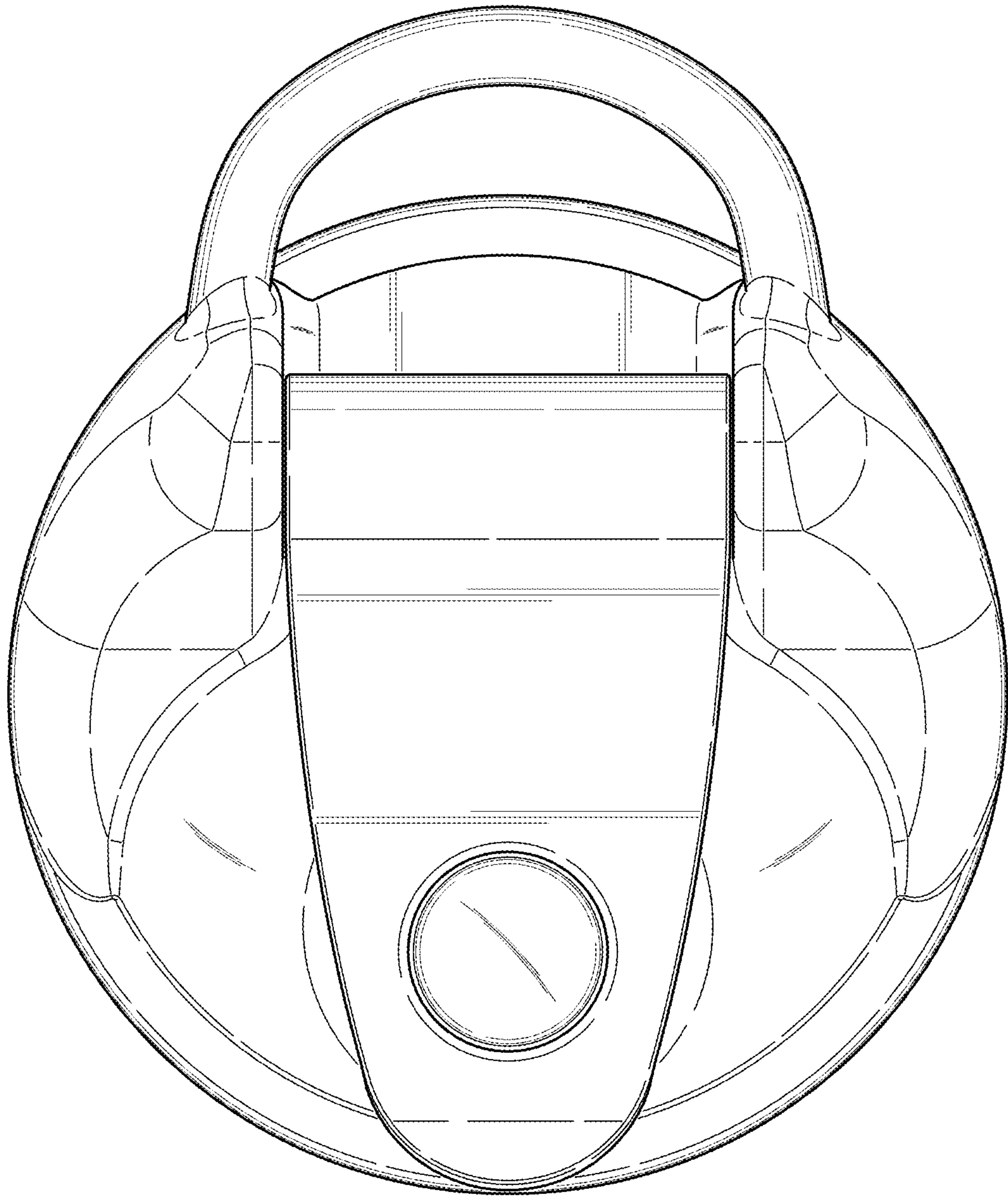


FIG. 7

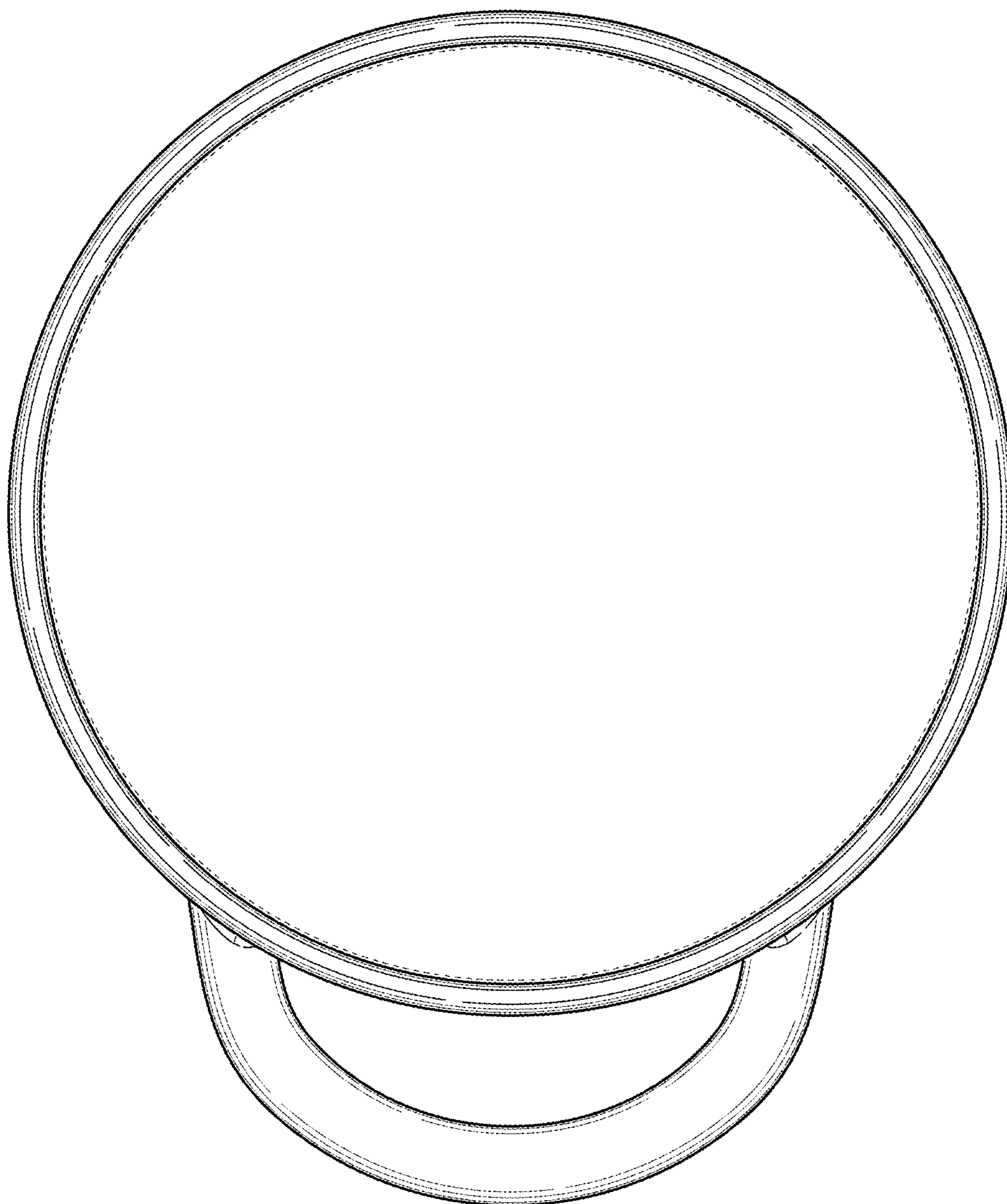


FIG. 8

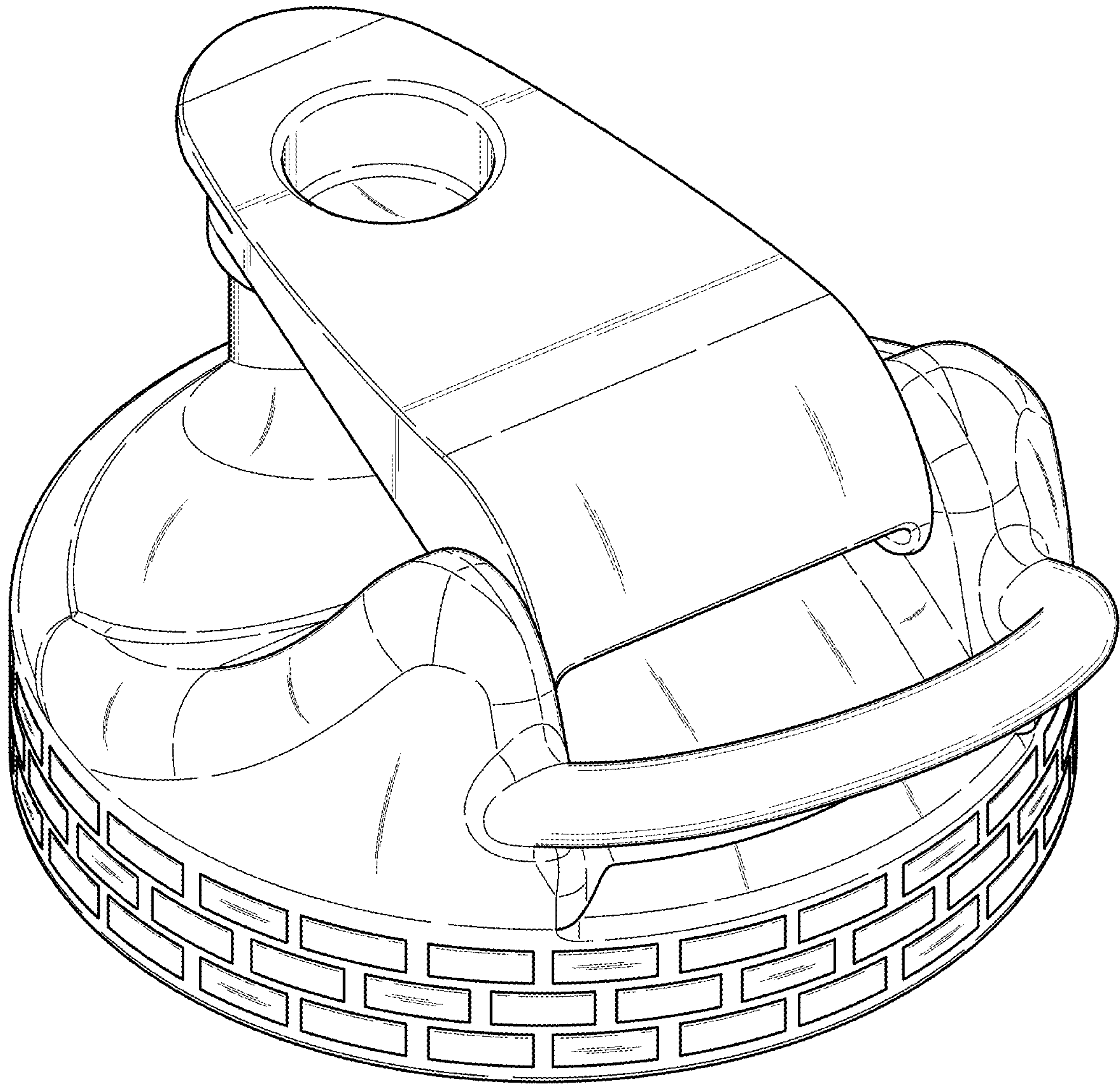


FIG. 9