

US00D878854S

(12) **United States Design Patent**  
**Lee**

(10) **Patent No.:** **US D878,854 S**

(45) **Date of Patent:** **\*\* Mar. 24, 2020**

- (54) **LID**
- (71) Applicant: **Urban Life Group Pty Ltd**, Victoria (AU)
- (72) Inventor: **Geoffrey Lee**, Queensland (AU)
- (73) Assignee: **URBAN LIFE GROUP PTY LTD**, Victoria (AU)
- (\*\*) Term: **15 Years**
- (21) Appl. No.: **29/644,818**
- (22) Filed: **Apr. 20, 2018**
- (51) **LOC (12) Cl.** ..... **07-99**
- (52) **U.S. Cl.**  
USPC ..... **D7/392.1**
- (58) **Field of Classification Search**  
USPC ..... D9/452, 453, 454, 435, 447, 449;  
D7/392, 392.1  
CPC ..... A47G 21/18; A61J 7/0038;  
B65D 2517/0049  
See application file for complete search history.

- D794,453 S \* 8/2017 Boroski ..... D7/392.1
- D812,966 S \* 3/2018 Murosky ..... D7/392.1
- D818,309 S \* 5/2018 Jasso Gomez ..... D7/392.1
- D818,767 S \* 5/2018 Nezu ..... D7/392.1
- D821,136 S \* 6/2018 Silsby ..... D7/392.1
- D833,807 S \* 11/2018 Mebberson ..... D7/392.1

\* cited by examiner

*Primary Examiner* — Karen S Acker

*Assistant Examiner* — Steven B Reinholdt, Jr.

(74) *Attorney, Agent, or Firm* — Vedder Price P.C.

(56) **References Cited**

**U.S. PATENT DOCUMENTS**

- 5,150,815 A \* 9/1992 Saklad ..... A47G 19/2227  
215/12.1
- D451,023 S \* 11/2001 Kitamura ..... D9/449
- D589,743 S \* 4/2009 Pearson ..... D7/392
- D679,959 S \* 4/2013 Lane ..... D7/615
- D685,231 S \* 7/2013 Lane ..... D7/605
- D738,111 S \* 9/2015 Otto ..... D3/302
- D740,029 S \* 10/2015 Otto ..... D3/302
- D743,789 S \* 11/2015 Wisniewski ..... D9/447
- D743,790 S \* 11/2015 Hussain ..... D9/447
- D766,652 S \* 9/2016 Joseph ..... D7/392.1
- D780,579 S \* 3/2017 Kim ..... D9/449
- D785,402 S \* 5/2017 Shirley ..... D7/392.1

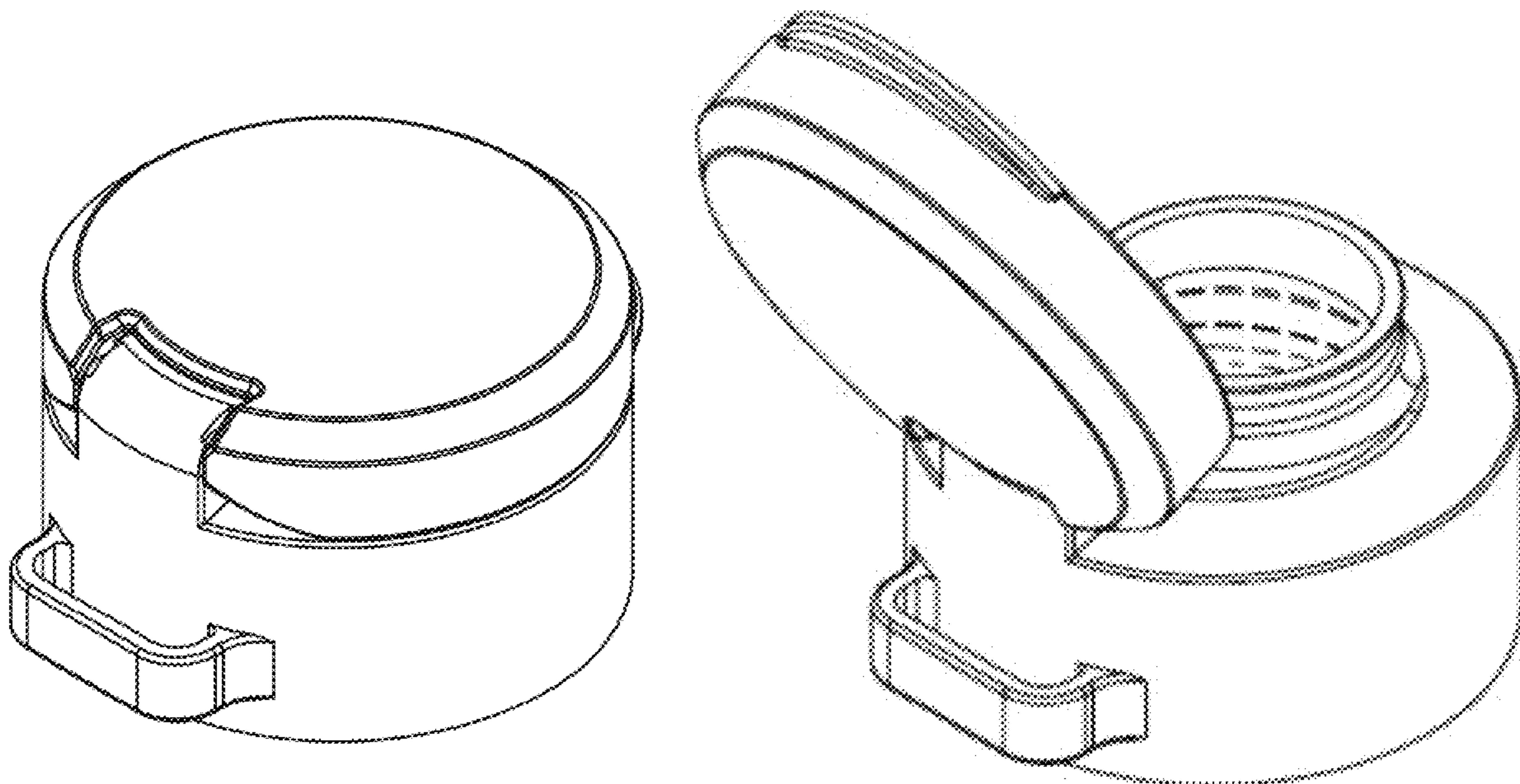
(57) **CLAIM**

The ornamental design for a lid, as shown and described.

**DESCRIPTION**

FIG. 1 is a rear perspective view of the lid;  
 FIG. 2 is a top view of the lid of FIG. 1;  
 FIG. 3 is a front perspective view of the lid of FIG. 1;  
 FIG. 4 is a rear view of the lid of FIG. 1;  
 FIG. 5 is a side view of the lid of FIG. 1;  
 FIG. 6 is a front view of the lid of FIG. 1;  
 FIG. 7 is a rear perspective view of the lid of FIG. 1 in an open configuration;  
 FIG. 8 is a top view of the lid of FIG. 1 in an open configuration;  
 FIG. 9 is a front perspective view of the lid of FIG. 1 in an open configuration;  
 FIG. 10 is a side view of the lid of FIG. 1 in an open configuration; and,  
 FIG. 11 is a front view of the lid of FIG. 1 in an open configuration.  
 The broken lines in FIGS. 4, 7, and 9 depict portions of the lid that form no part of the claim.

**1 Claim, 2 Drawing Sheets**



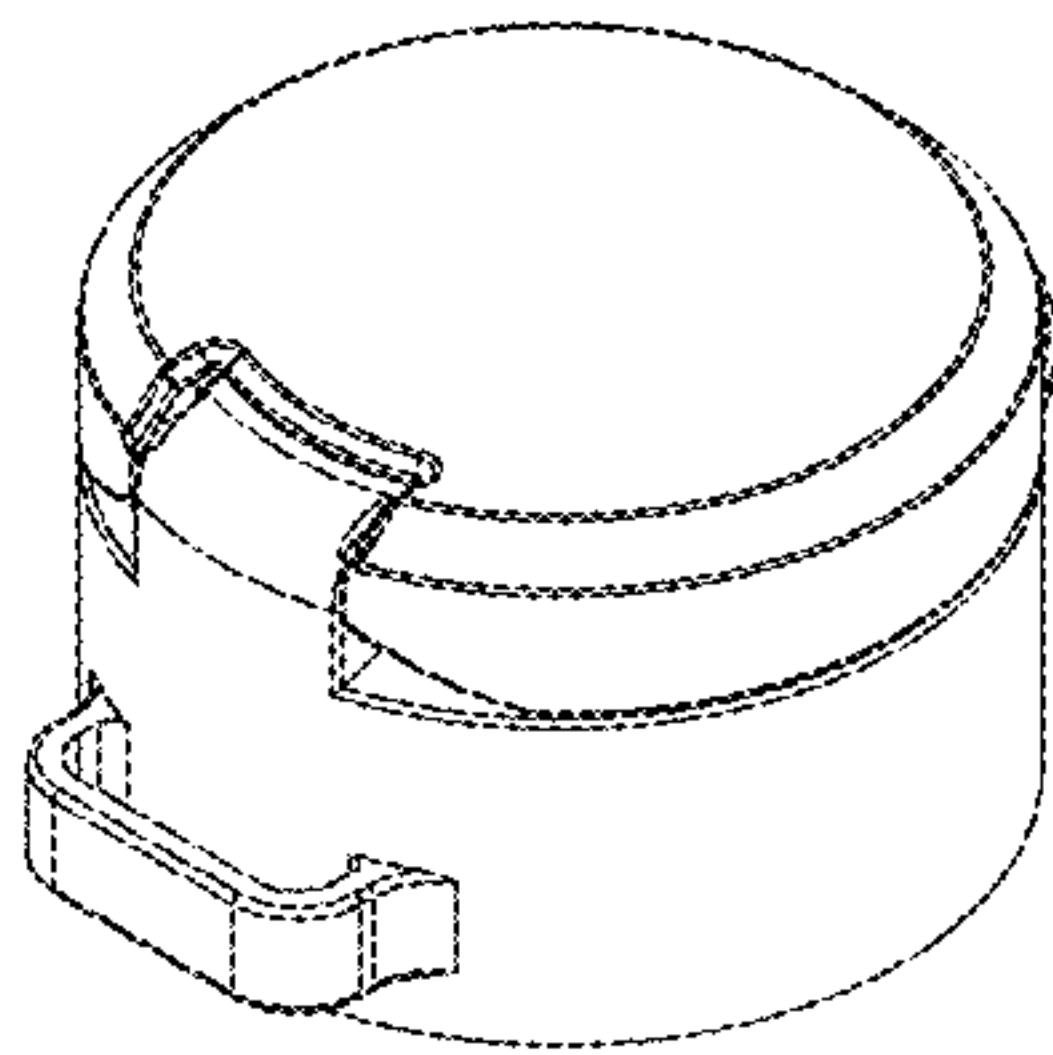


FIG. 1

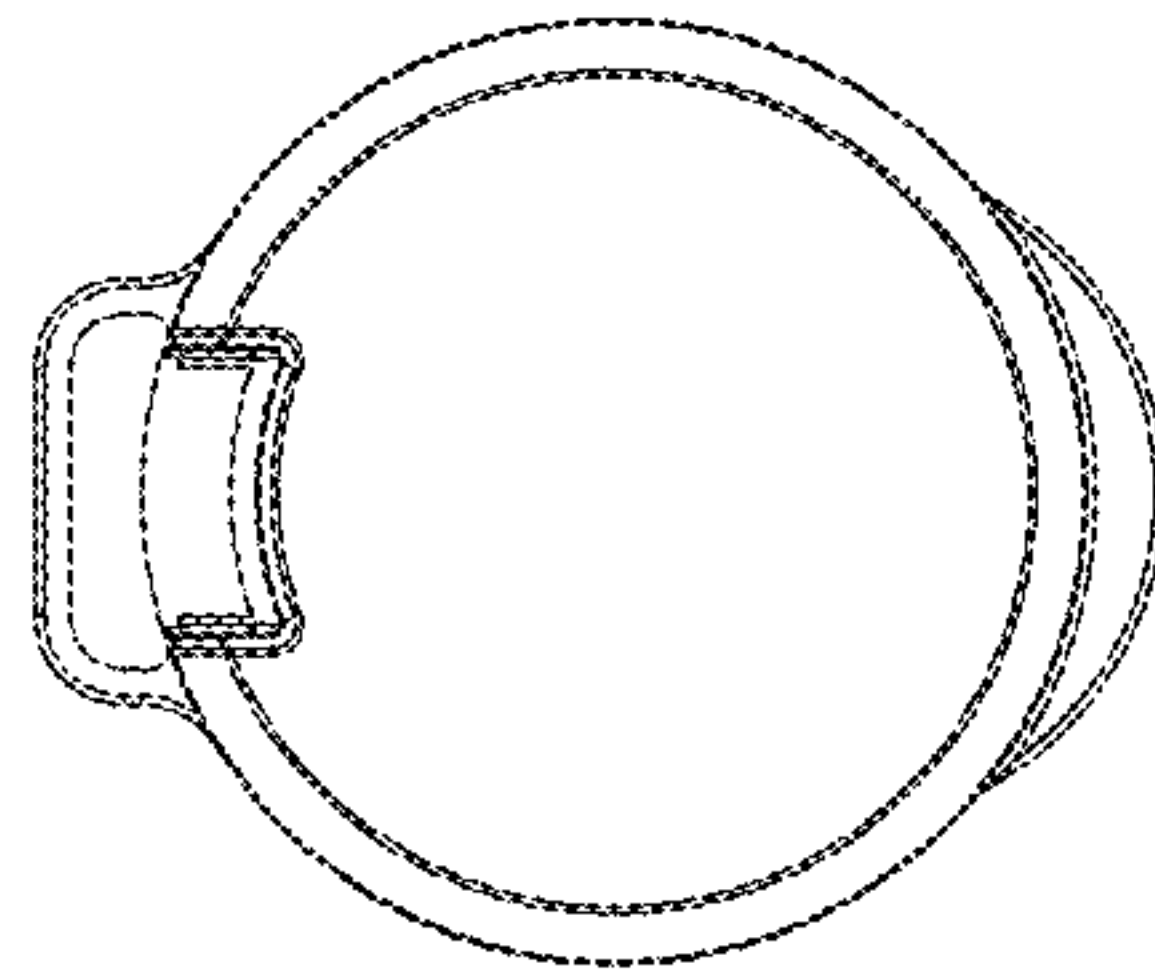


FIG. 2

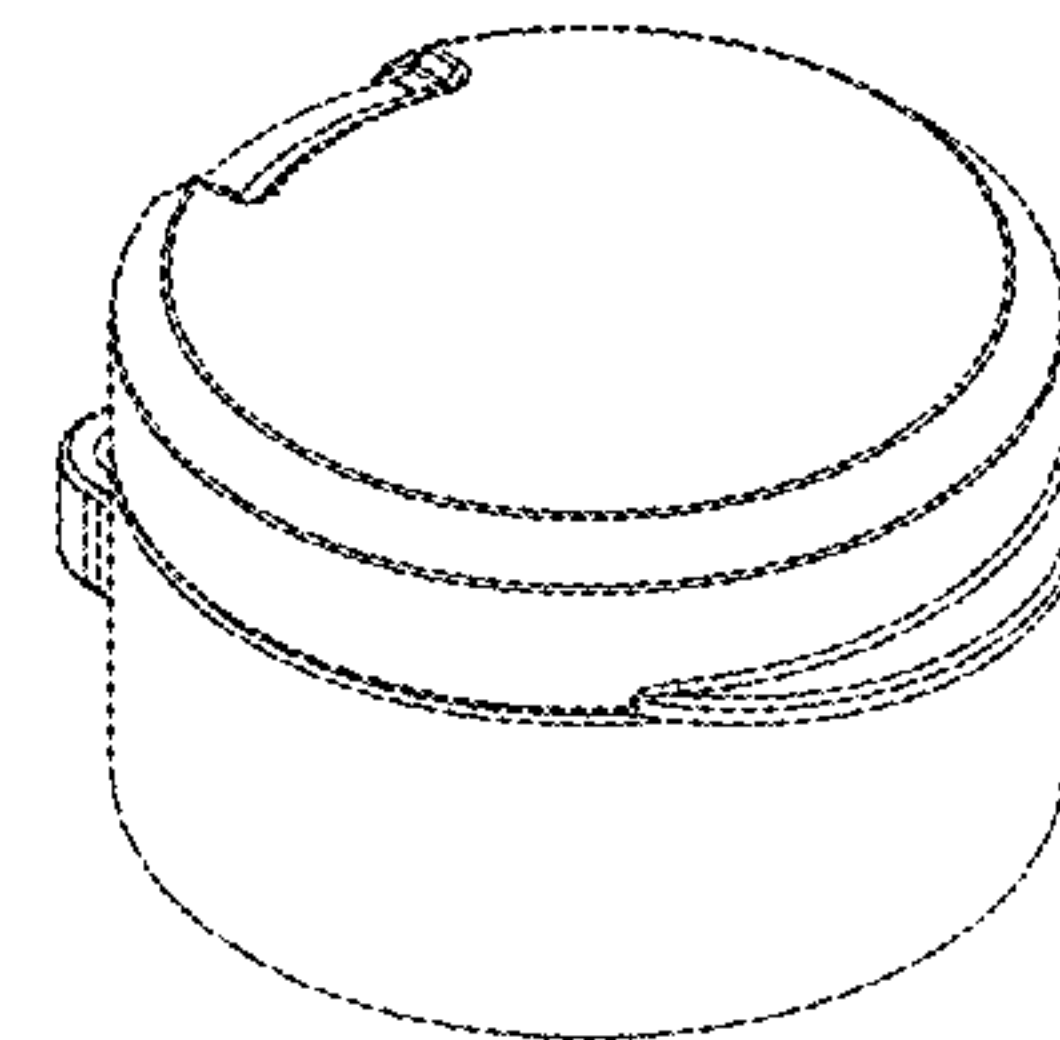


FIG. 3

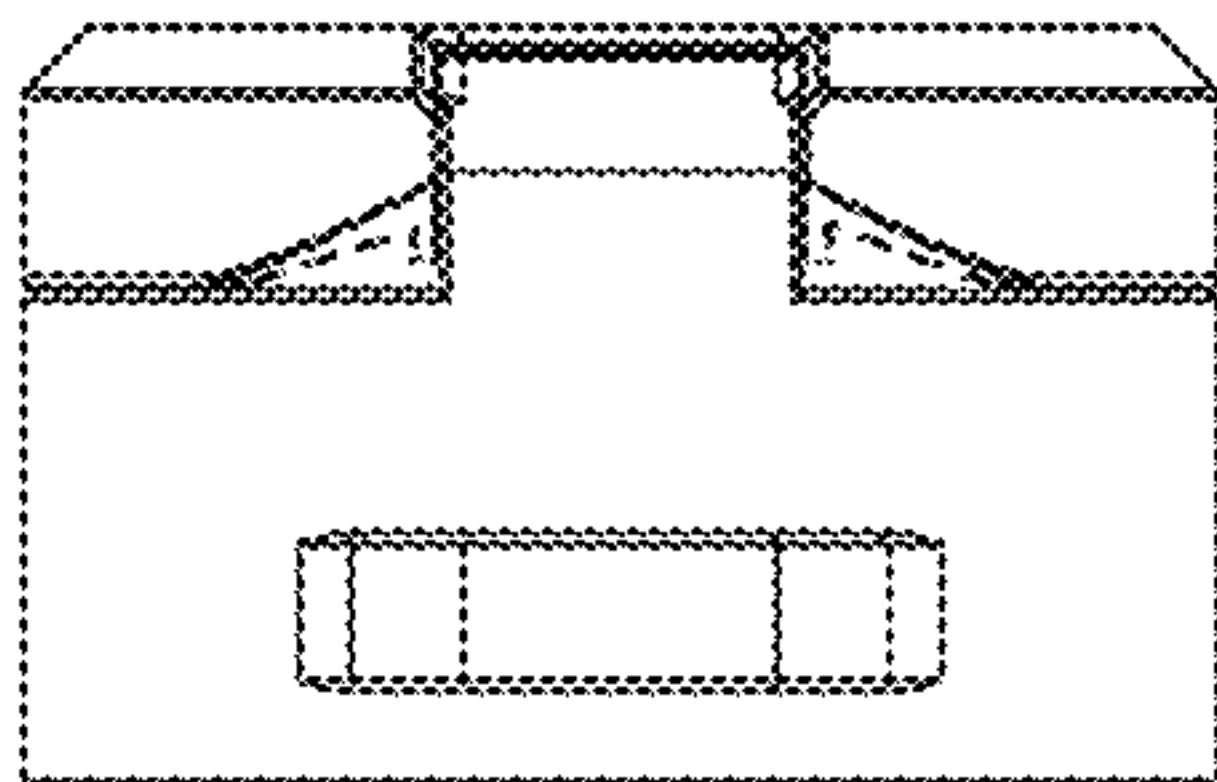


FIG. 4

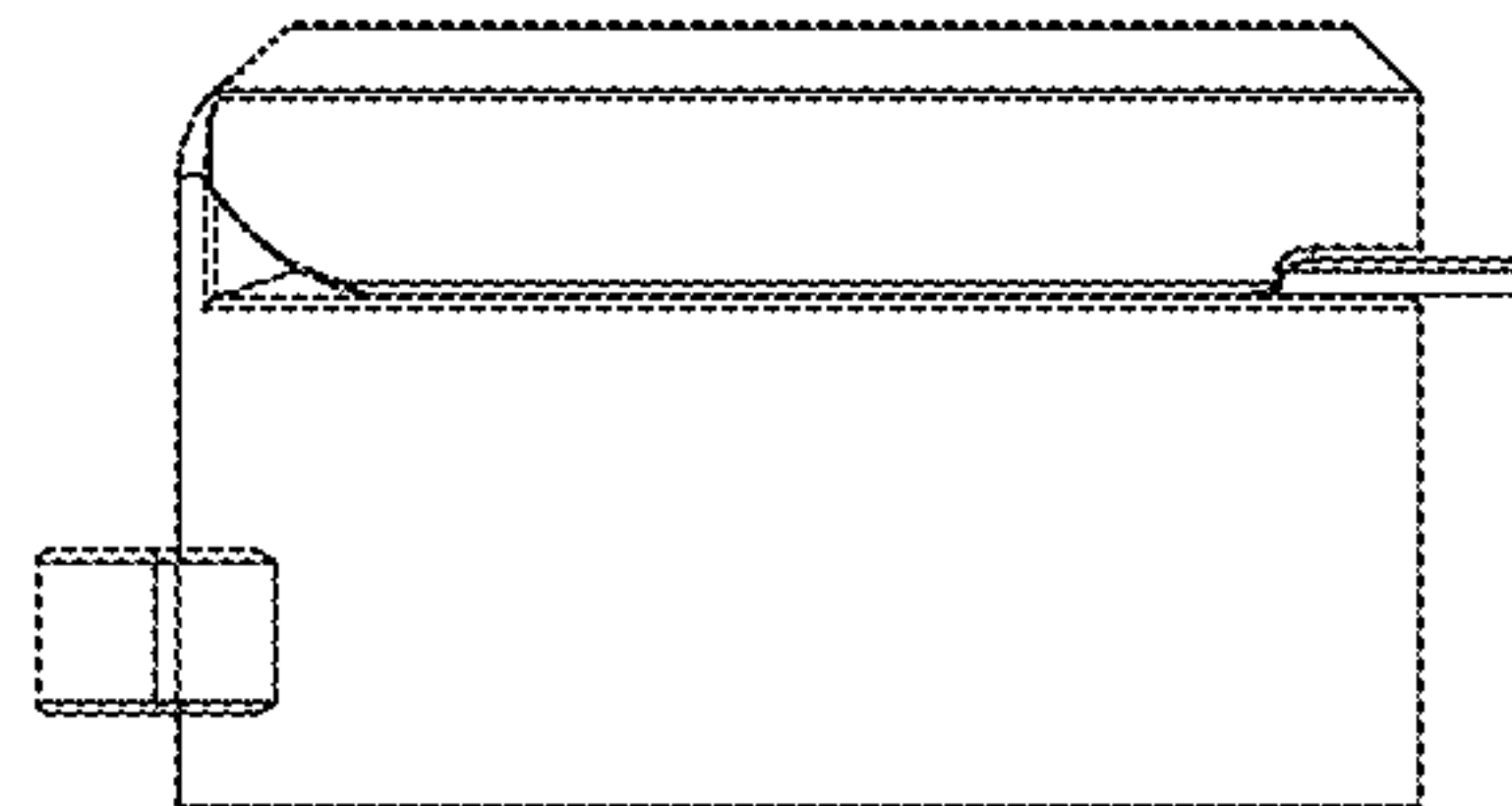


FIG. 5

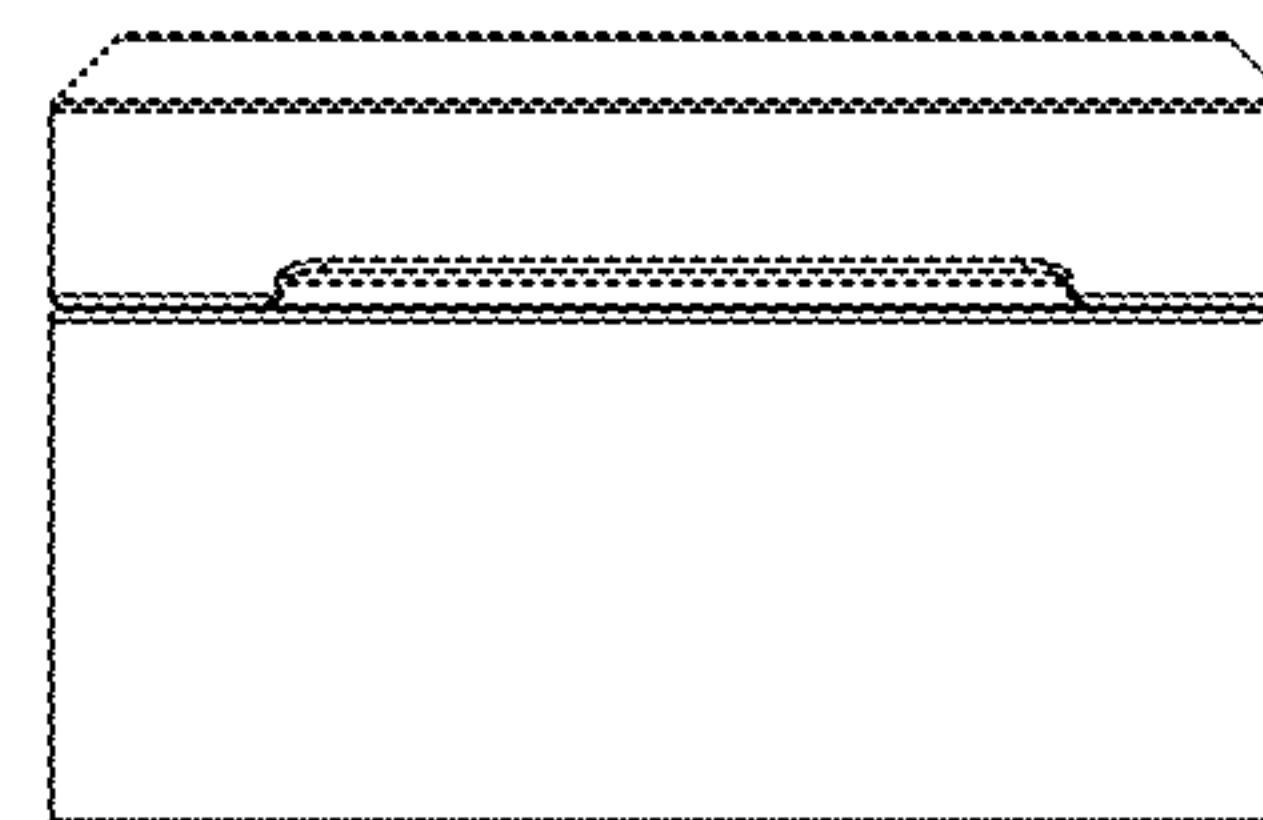


FIG. 6

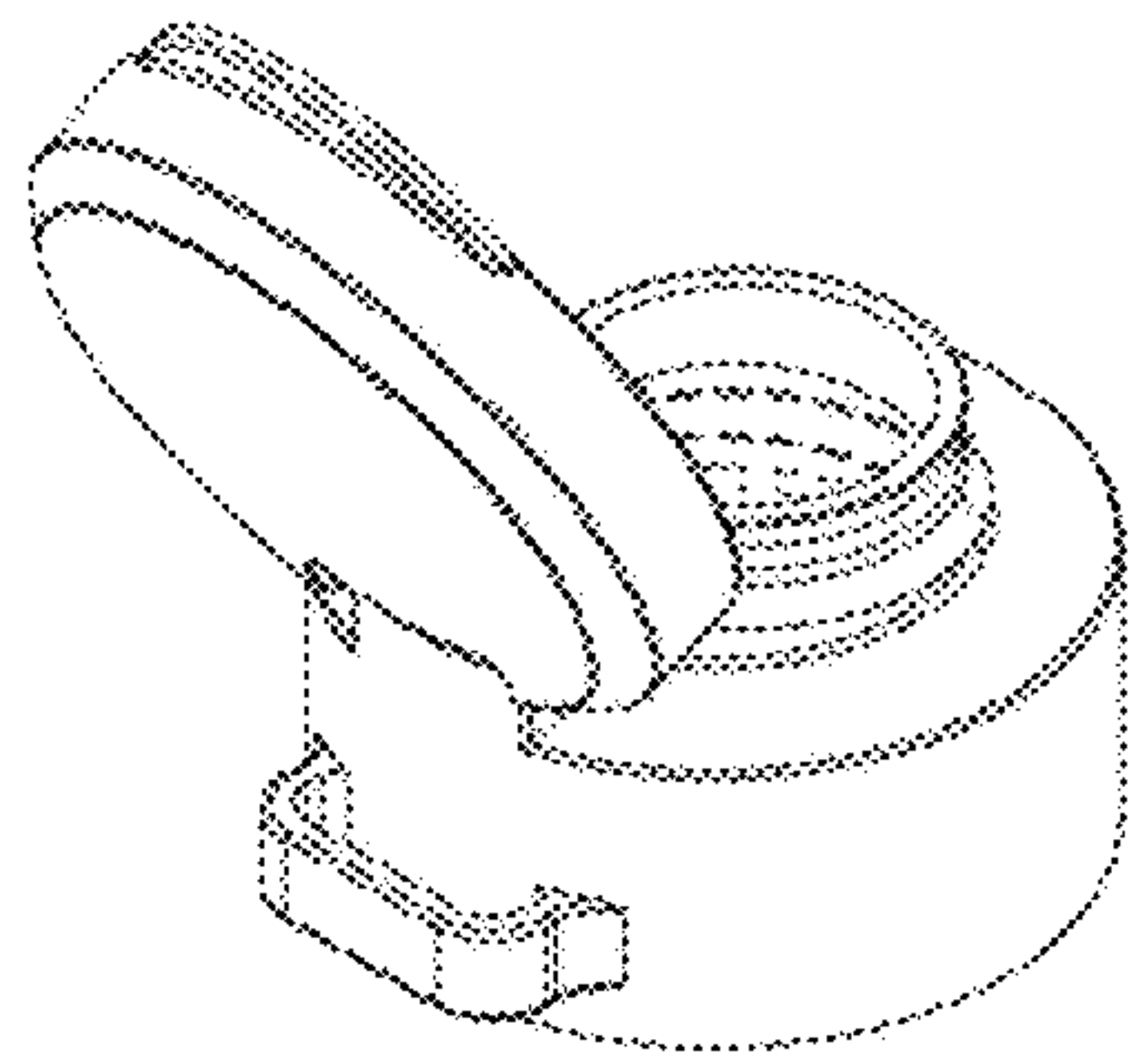


FIG. 7

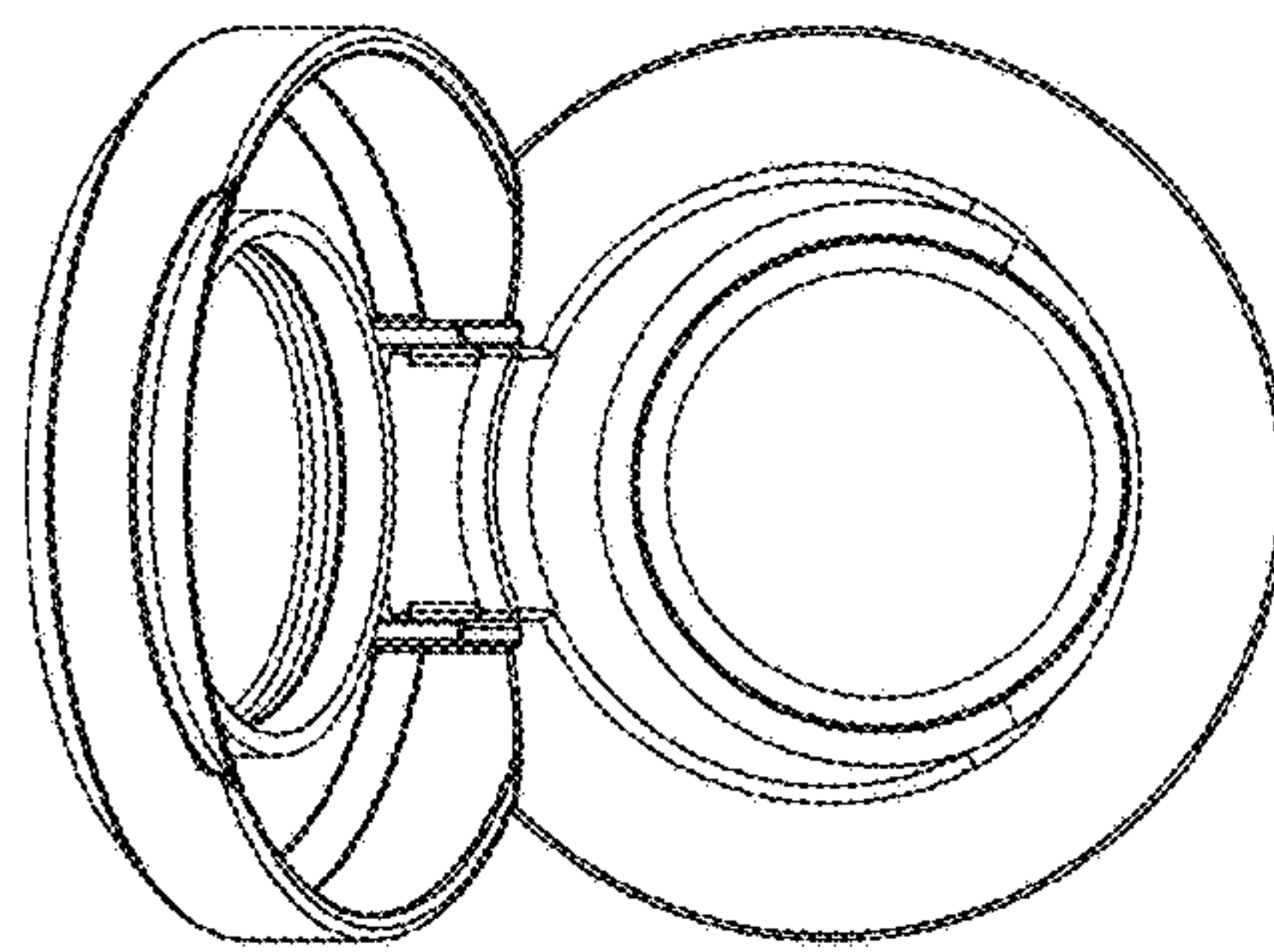


FIG. 8

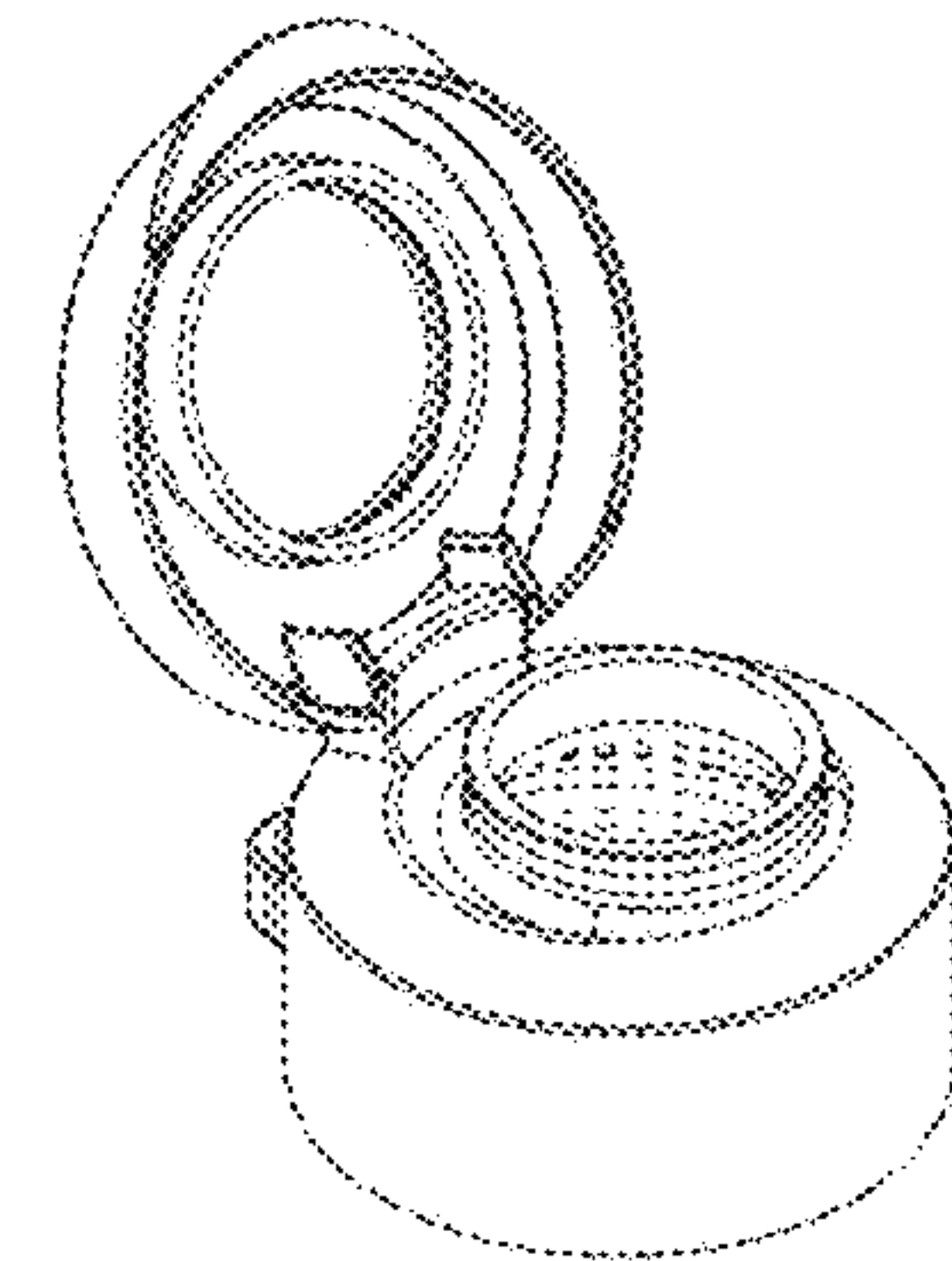


FIG. 9

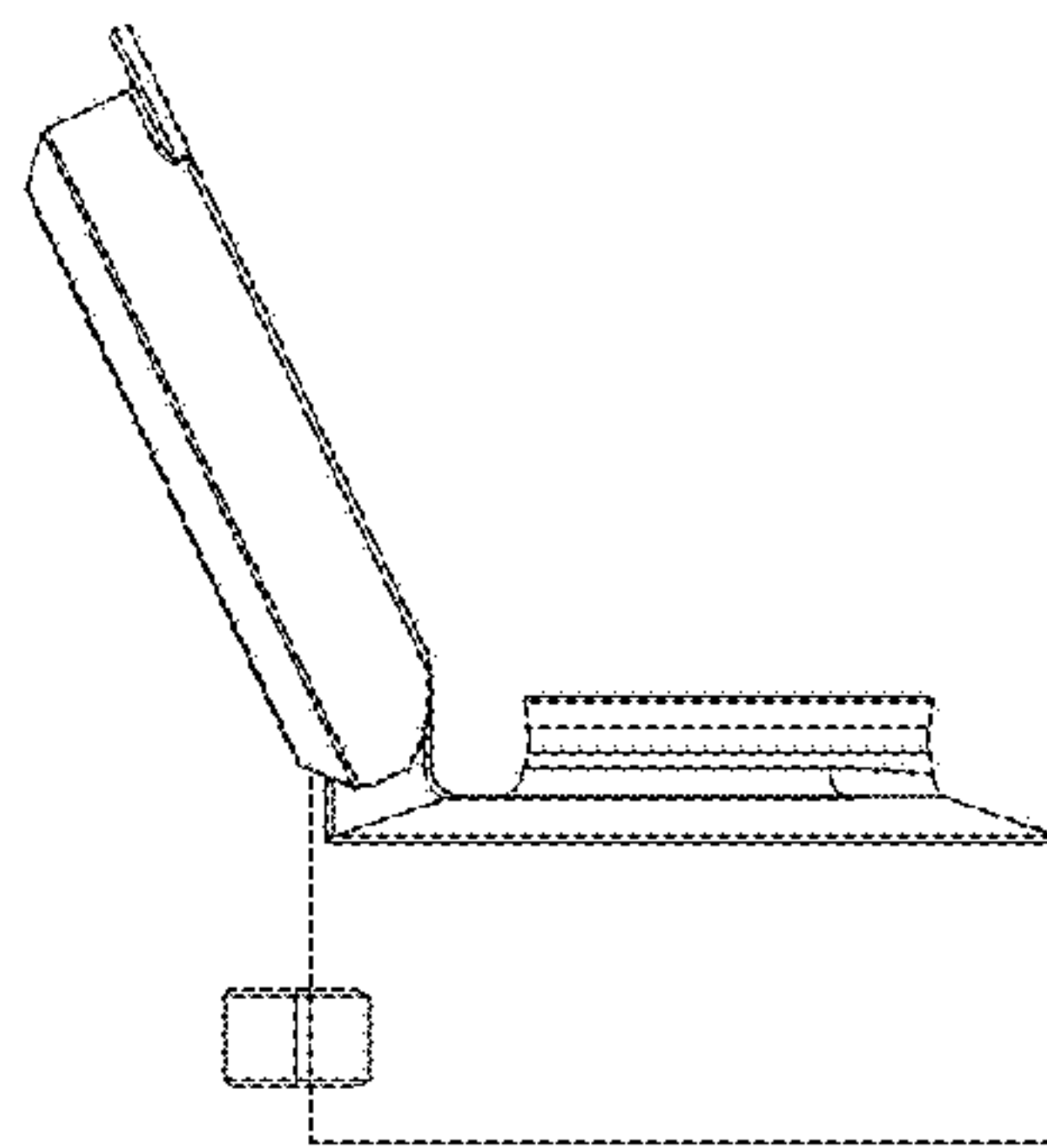


FIG. 10

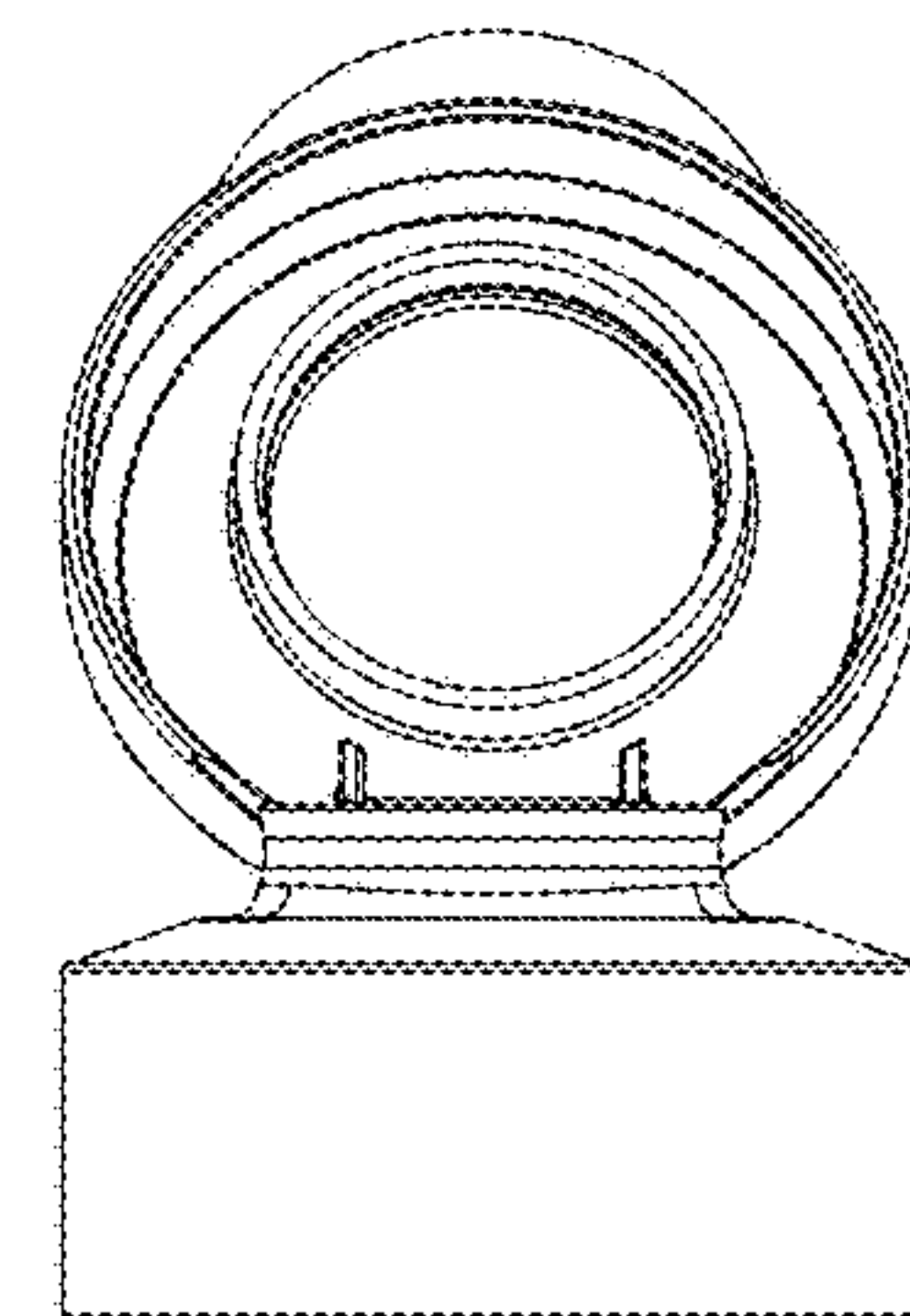


FIG. 11