

US00D878852S

(12) **United States Design Patent**  
**Nicoll**

(10) **Patent No.:** **US D878,852 S**  
(45) **Date of Patent:** **\*\* Mar. 24, 2020**

- (54) **BABY FOOD MAKER**
- (71) Applicant: **The EVLA Group**, Twickenham (GB)
- (72) Inventor: **Paul Nicoll**, Twickenham (GB)
- (\*\*) Term: **15 Years**
- (21) Appl. No.: **29/712,654**
- (22) Filed: **Nov. 11, 2019**
- (51) **LOC (12) Cl.** ..... **31-00**
- (52) **U.S. Cl.**  
USPC ..... **D7/384**
- (58) **Field of Classification Search**  
USPC ..... D7/309, 323, 326-327, 368, 376, 379,  
D7/397, 601, 602, 605  
CPC ..... A01J 9/08; A23L 3/10; A47J 27/04; A47J  
27/004; A47J 31/10; A47J 36/24; A47J  
36/2411; A47J 36/2416; A47J 36/2433;  
A47J 36/2438; A47J 39/00; A47J 39/006;  
A47J 41/00; H05B 3/0004  
See application file for complete search history.

|              |         |            |       |        |
|--------------|---------|------------|-------|--------|
| D645,299 S * | 9/2011  | Naoun      | ..... | D7/376 |
| D660,072 S * | 5/2012  | Makhanlall | ..... | D7/309 |
| D743,735 S * | 11/2015 | Weaden     | ..... | D7/376 |
| D851,442 S * | 6/2019  | Saubert    | ..... | D7/379 |

**OTHER PUBLICATIONS**

Baby Food Maker | Baby Food Processor Blender Grinder Steamer | Cooks & Blends Healthy Homemade Baby Food in Minutes | Self Cleans | Touch Screen Control | FDA Approved | 6 Reusable Food Pouches, <https://www.amazon.com/dp/B07N5K61F4>.

\* cited by examiner

*Primary Examiner* — Ricky Pham

(74) *Attorney, Agent, or Firm* — Wayne V. Harper

(57) **CLAIM**

I claim the ornamental design for a baby food maker, as shown and described.

**DESCRIPTION**

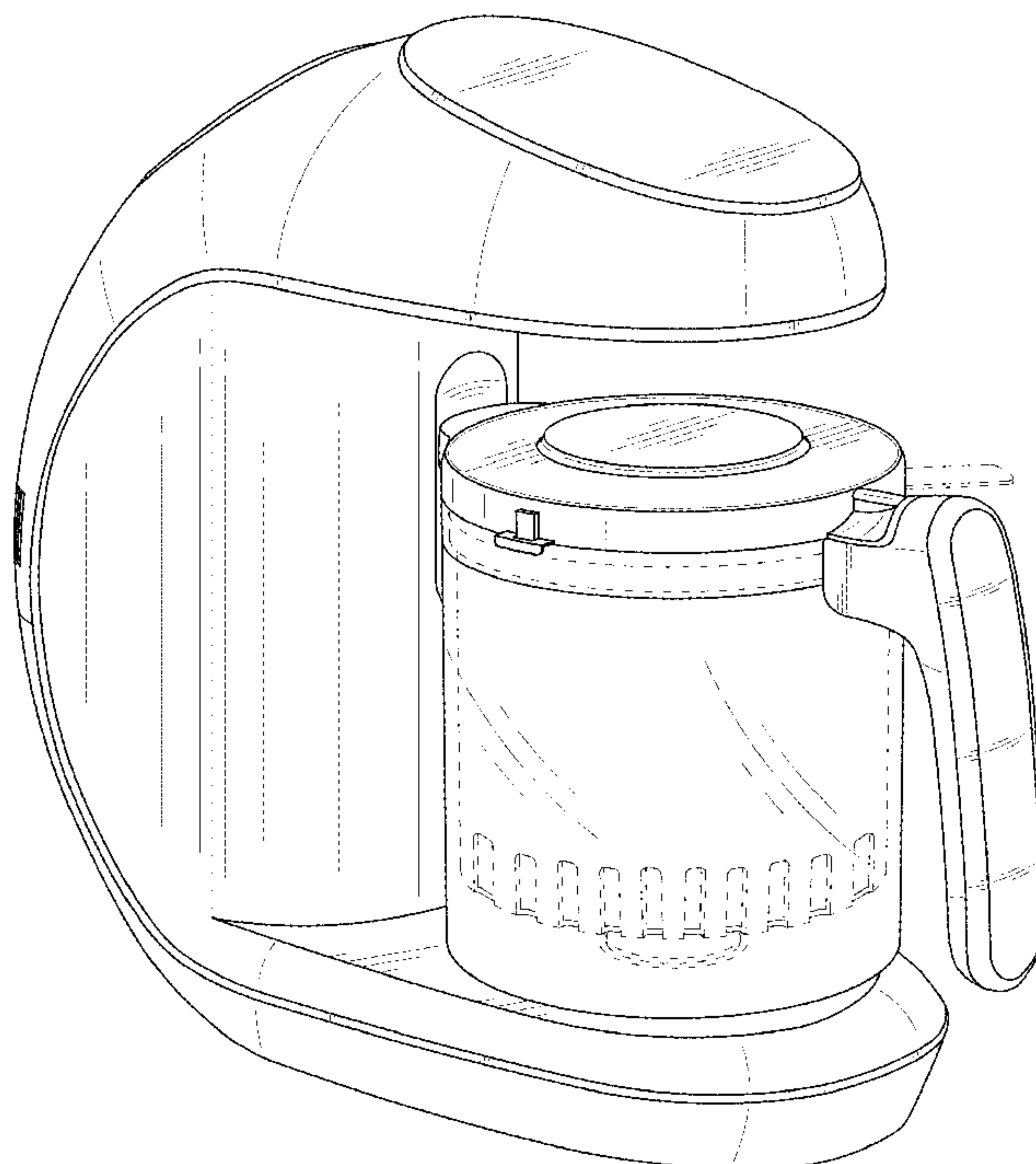
FIG. 1 is a Perspective view of a baby food maker showing my new design;  
FIG. 2 is a Front view thereof;  
FIG. 3 is a Back view thereof;  
FIG. 4 is a Left-side view thereof;  
FIG. 5 is a Right-side view thereof;  
FIG. 6 is a Top view thereof; and,  
FIG. 7 is a Bottom view thereof.  
The broken lines shown in the drawings are for illustrative purposes only and form no part of the claimed design.

(56) **References Cited**

**U.S. PATENT DOCUMENTS**

|                |         |                |       |                      |
|----------------|---------|----------------|-------|----------------------|
| D162,875 S *   | 4/1951  | Polivka et al. | ..... | D7/379               |
| D483,986 S *   | 12/2003 | Boyle          | ..... | D7/379               |
| D488,663 S *   | 4/2004  | Price          | ..... | D7/309               |
| D489,569 S *   | 5/2004  | Smith          | ..... | D7/379               |
| D502,841 S *   | 3/2005  | Santer         | ..... | D7/309               |
| D533,017 S *   | 12/2006 | Wilson         | ..... | D7/376               |
| D534,028 S     | 12/2006 | Artis          |       |                      |
| D544,299 S *   | 6/2007  | Schaffeld      | ..... | D7/397               |
| 7,640,844 B2 * | 1/2010  | Wu             | ..... | A47J 31/10<br>99/299 |
| D632,921 S     | 2/2011  | Kang           |       |                      |

**1 Claim, 7 Drawing Sheets**



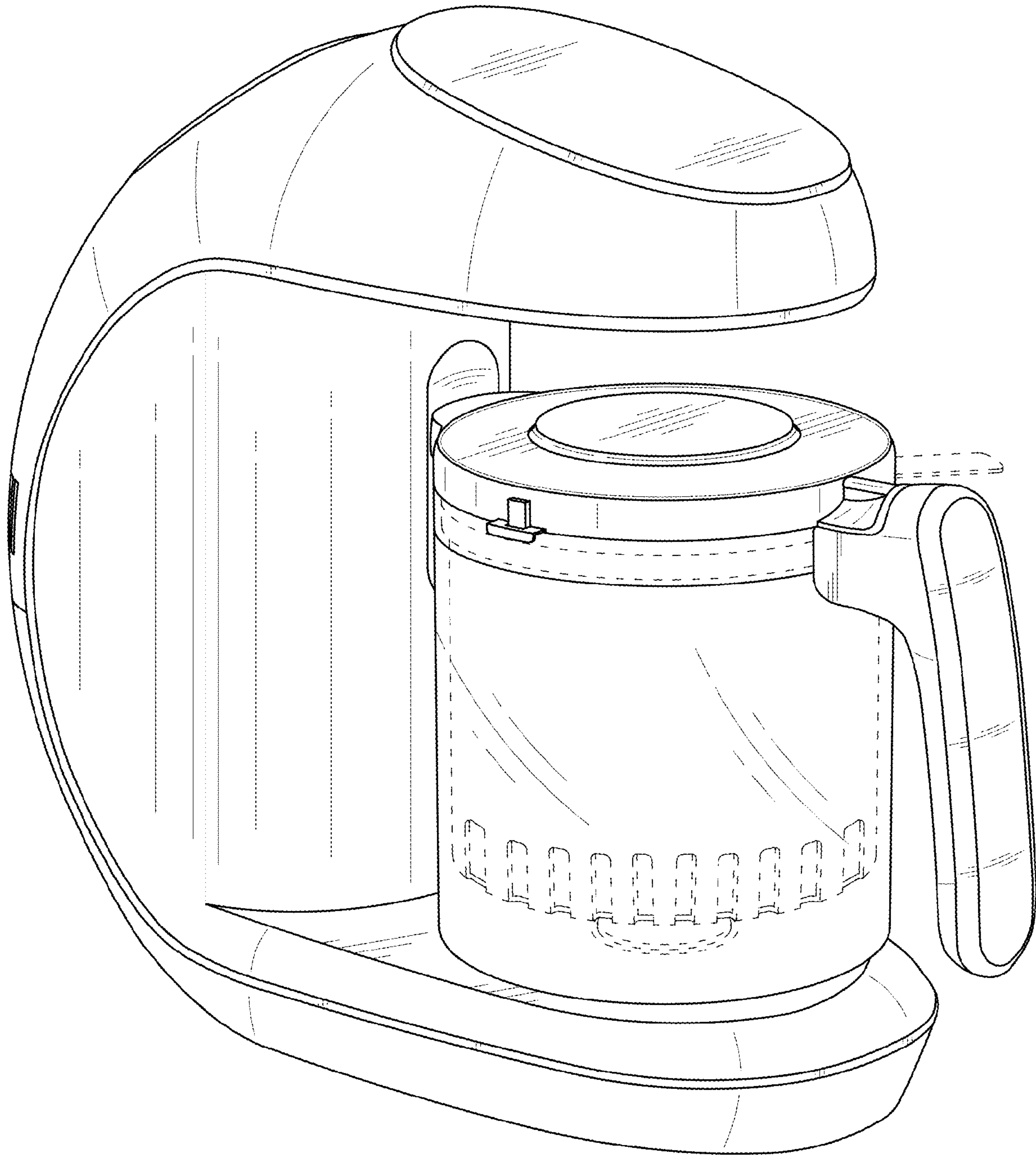


FIG. 1

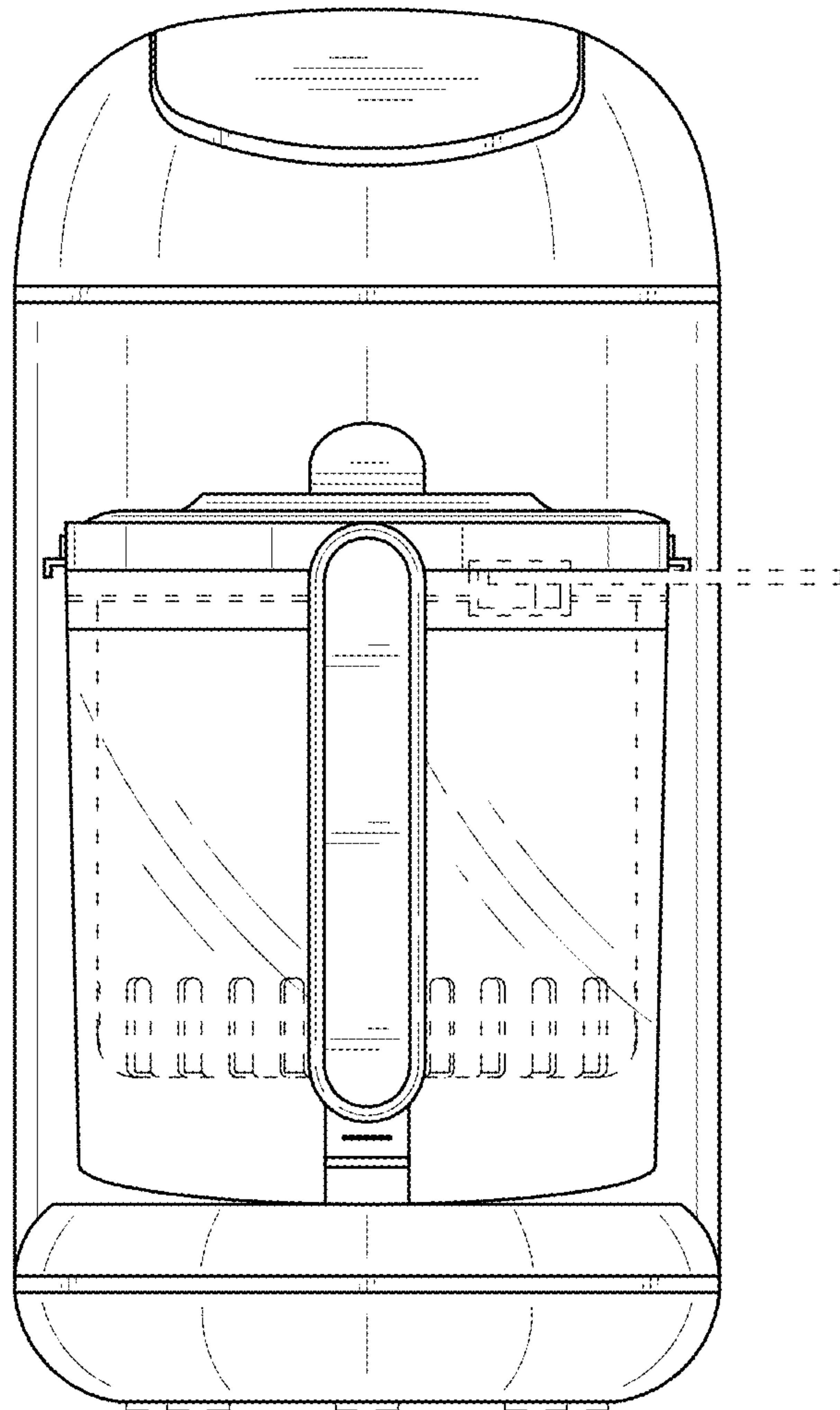


FIG. 2

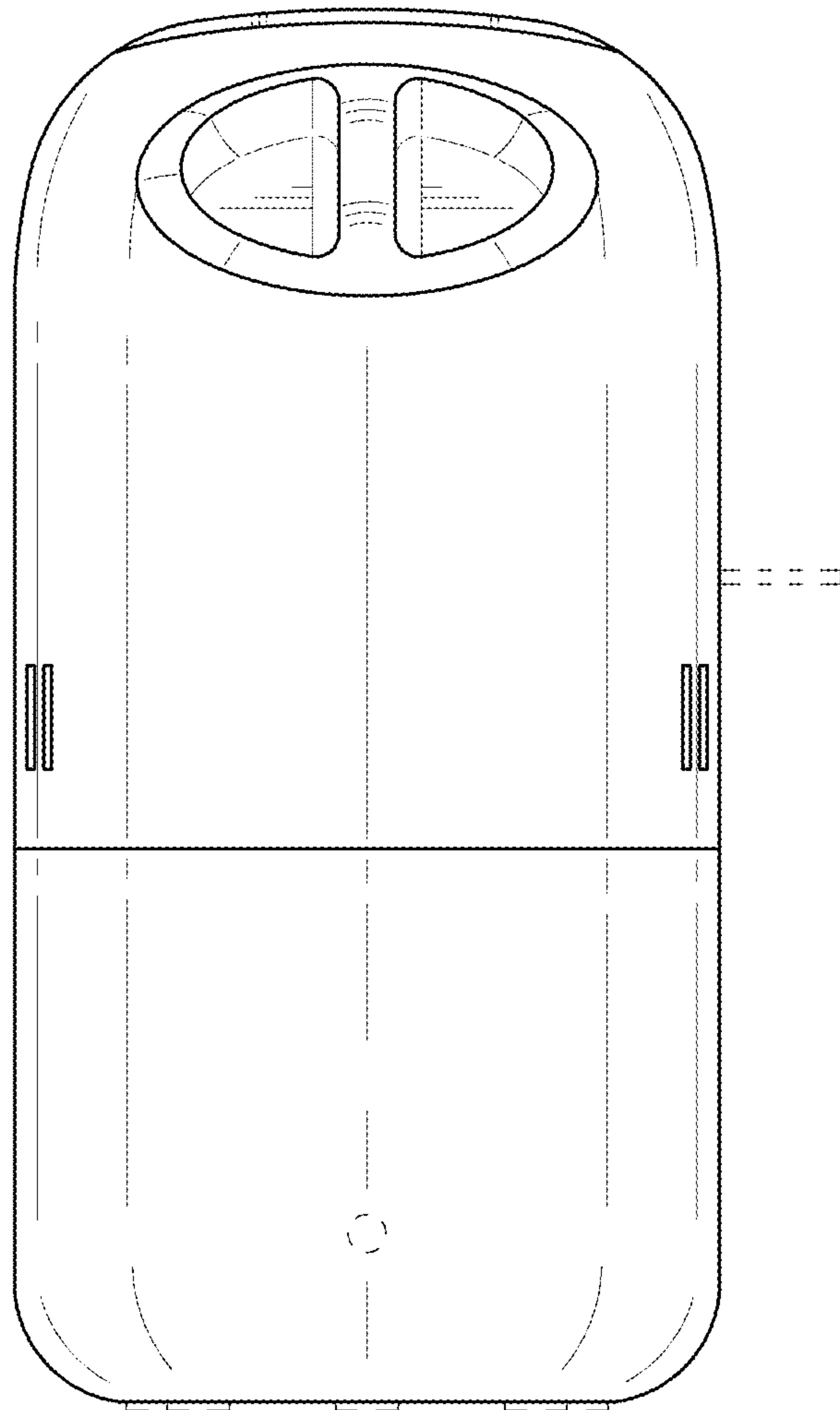


FIG. 3

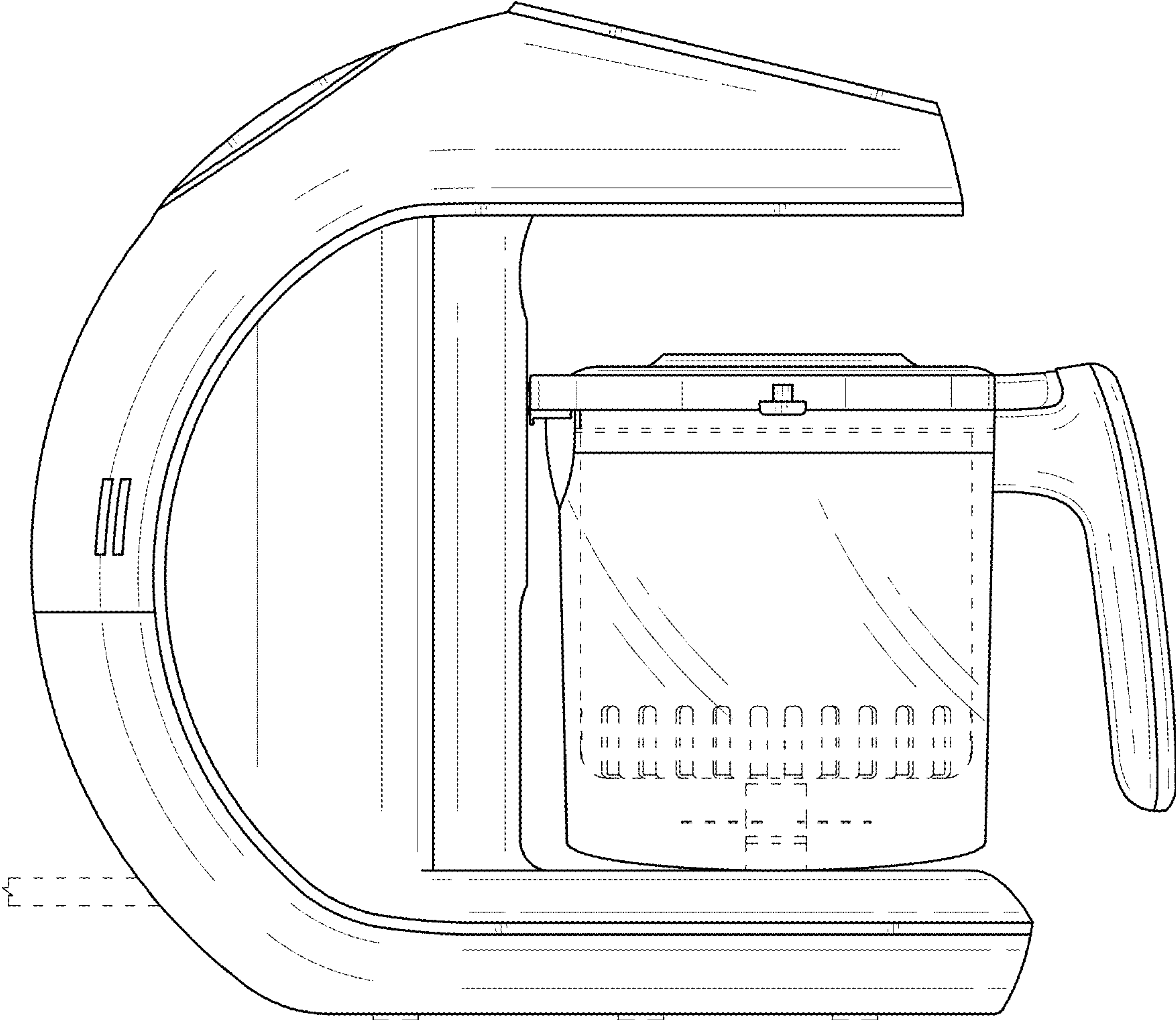


FIG. 4



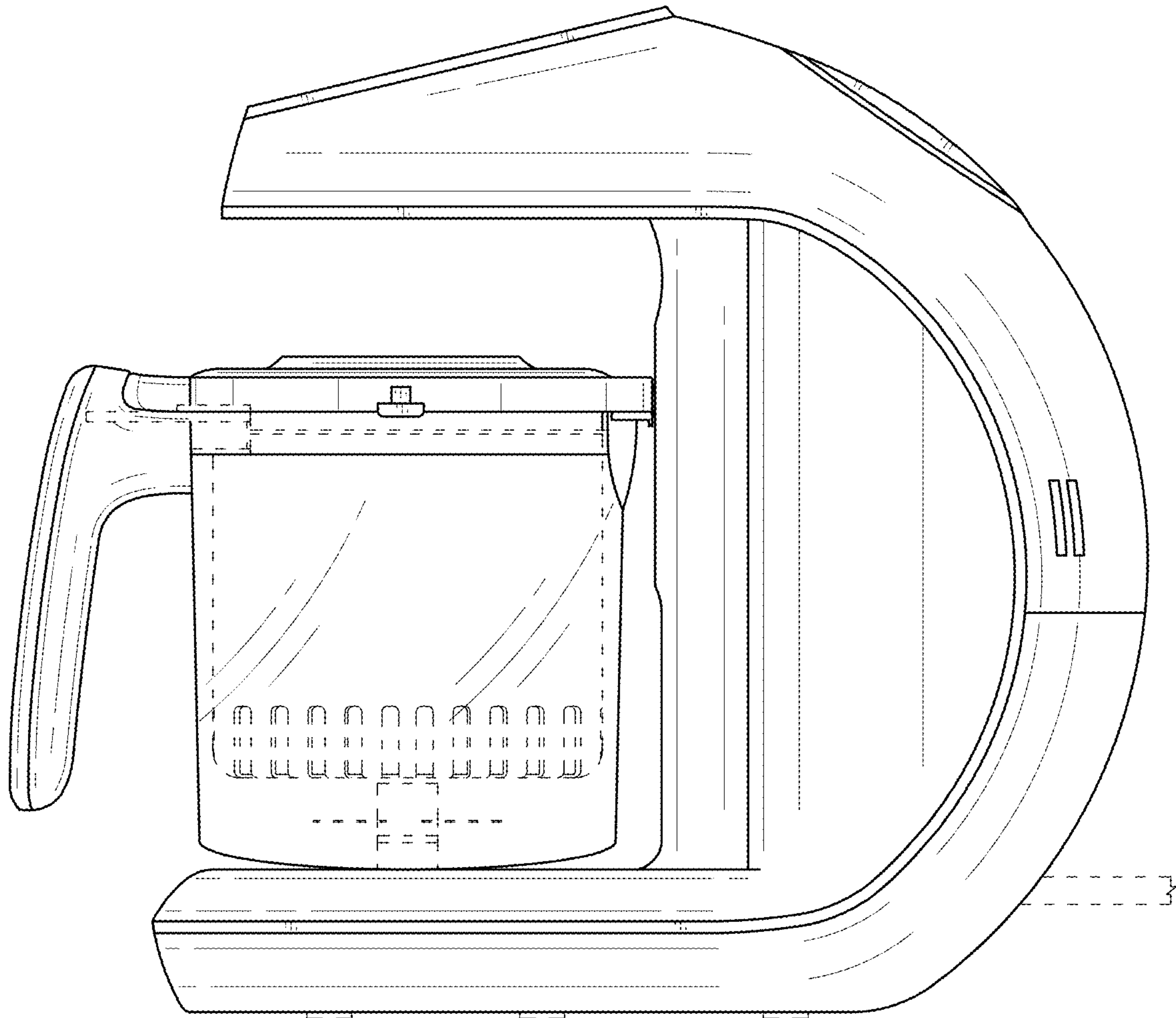


FIG. 5

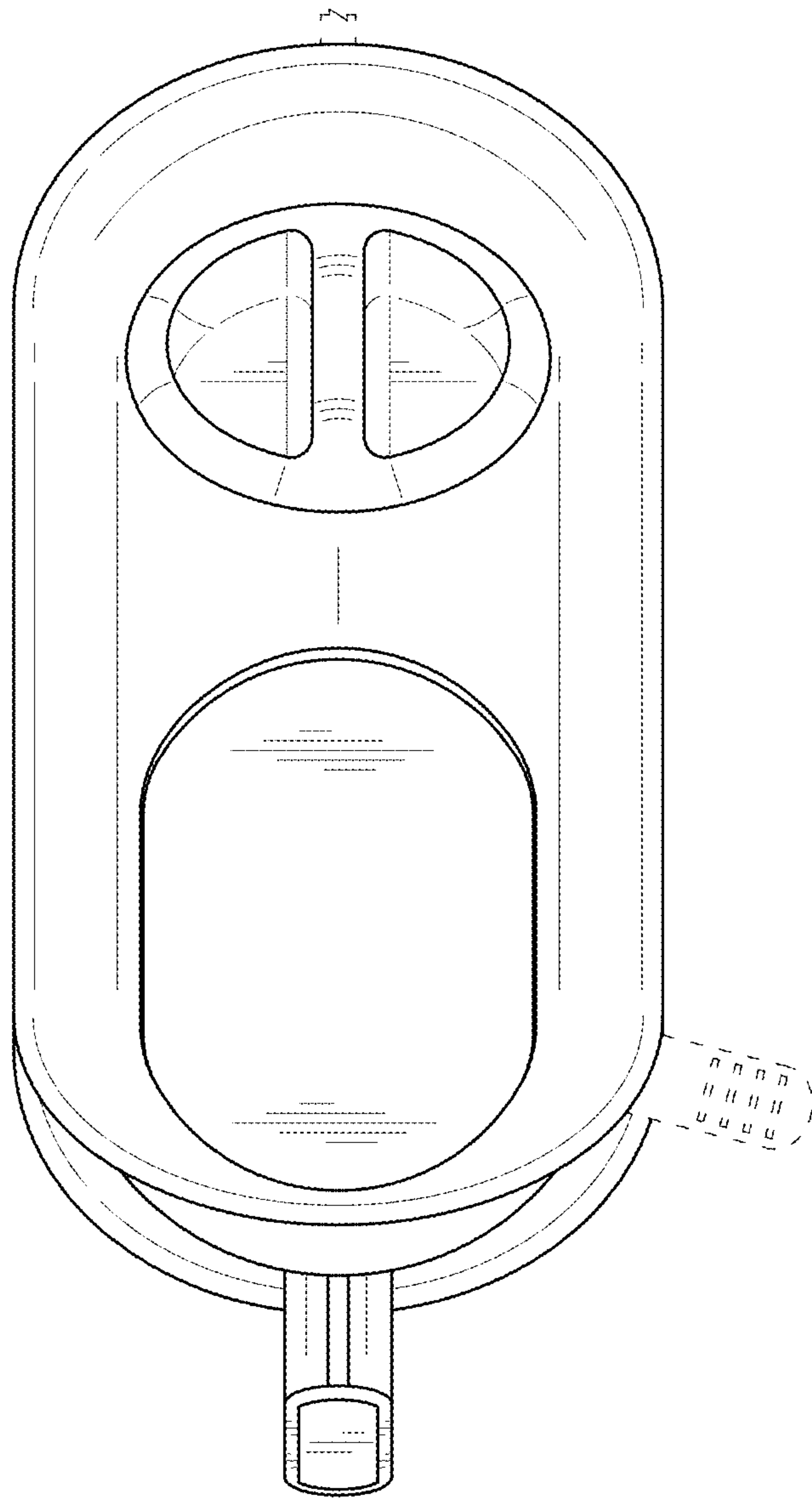


FIG. 6

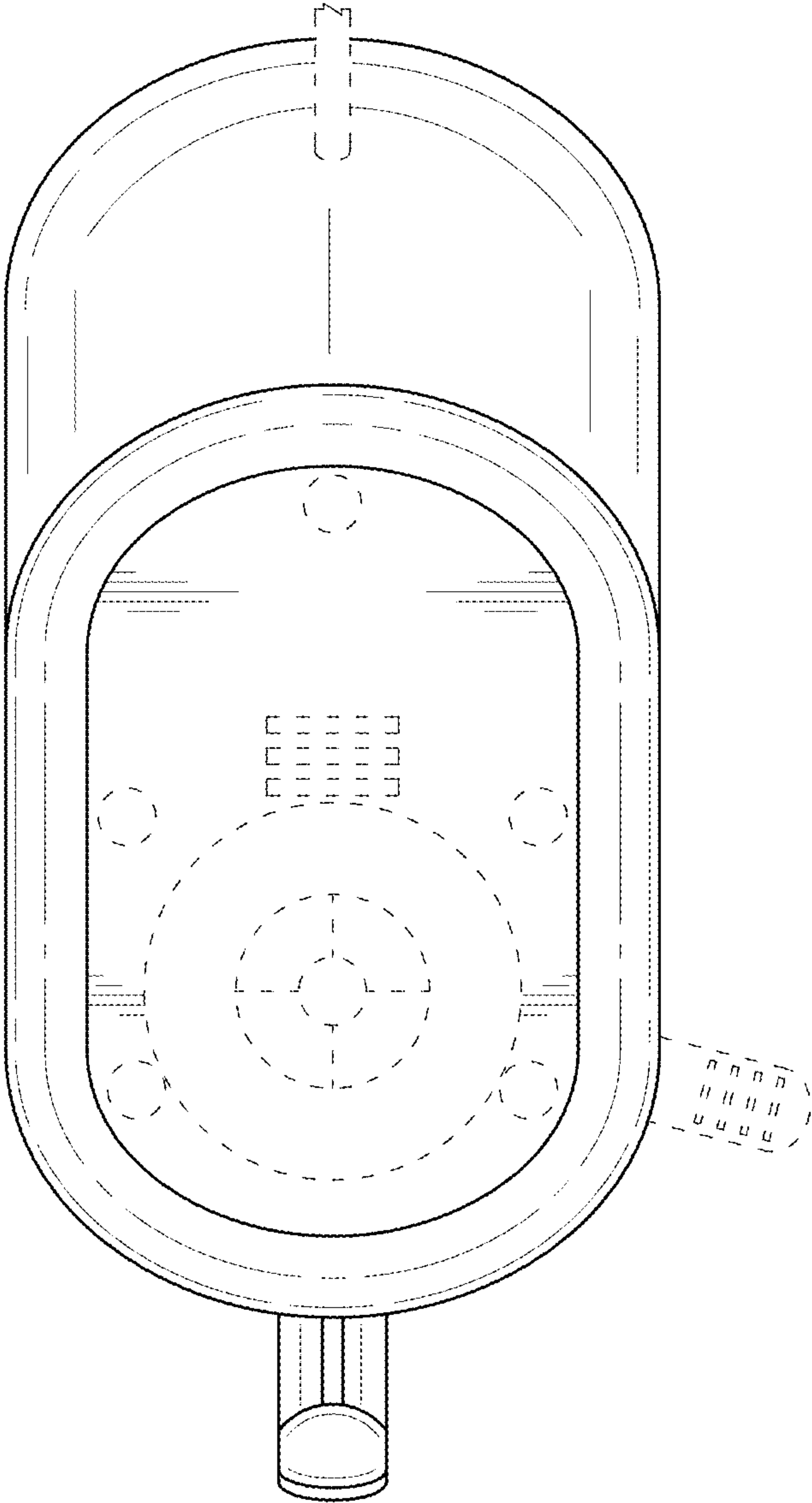


FIG. 7