



US00D878849S

(12) **United States Design Patent**
Alexander et al.

(10) **Patent No.:** **US D878,849 S**
(45) **Date of Patent:** **** Mar. 24, 2020**

(54) **BABY BOTTLE AND POWER BASE**

(71) Applicant: **Ember Technologies, Inc.**, Westlake Village, CA (US)

(72) Inventors: **Clayton Alexander**, Westlake Village, CA (US); **Daren John Leith**, Agoura Hills, CA (US); **Christopher Thomas Wakeham**, Solana Beach, CA (US); **Mikko Juhani Timperi**, San Marcos, CA (US); **Martin Gschwandtl**, San Francisco, CA (US)

(73) Assignee: **Ember Technologies, Inc.**, Westlake Village, CA (US)

(**) Term: **15 Years**

(21) Appl. No.: **29/660,106**

(22) Filed: **Aug. 17, 2018**

(51) **LOC (12) Cl.** **07-02**

(52) **U.S. Cl.**
USPC **D7/326**

(58) **Field of Classification Search**
USPC D7/323, 326-327, 368, 601, 602, 605;
D24/197

(Continued)

(56) **References Cited**

U.S. PATENT DOCUMENTS

2,300,891 A * 11/1942 Hanks A47J 36/2433
392/336
2,582,781 A * 1/1952 Johnson A47J 36/2438
219/436

(Continued)

OTHER PUBLICATIONS

“BabyBoo—The first smart warming body bottle,” <https://web.archive.org/web/20170712171821/https://www/faitron.com/babyboo/>, published Jul. 12, 2017.

Primary Examiner — Ricky Pham

(74) *Attorney, Agent, or Firm* — Knobbe, Martens, Olson & Bear LLP

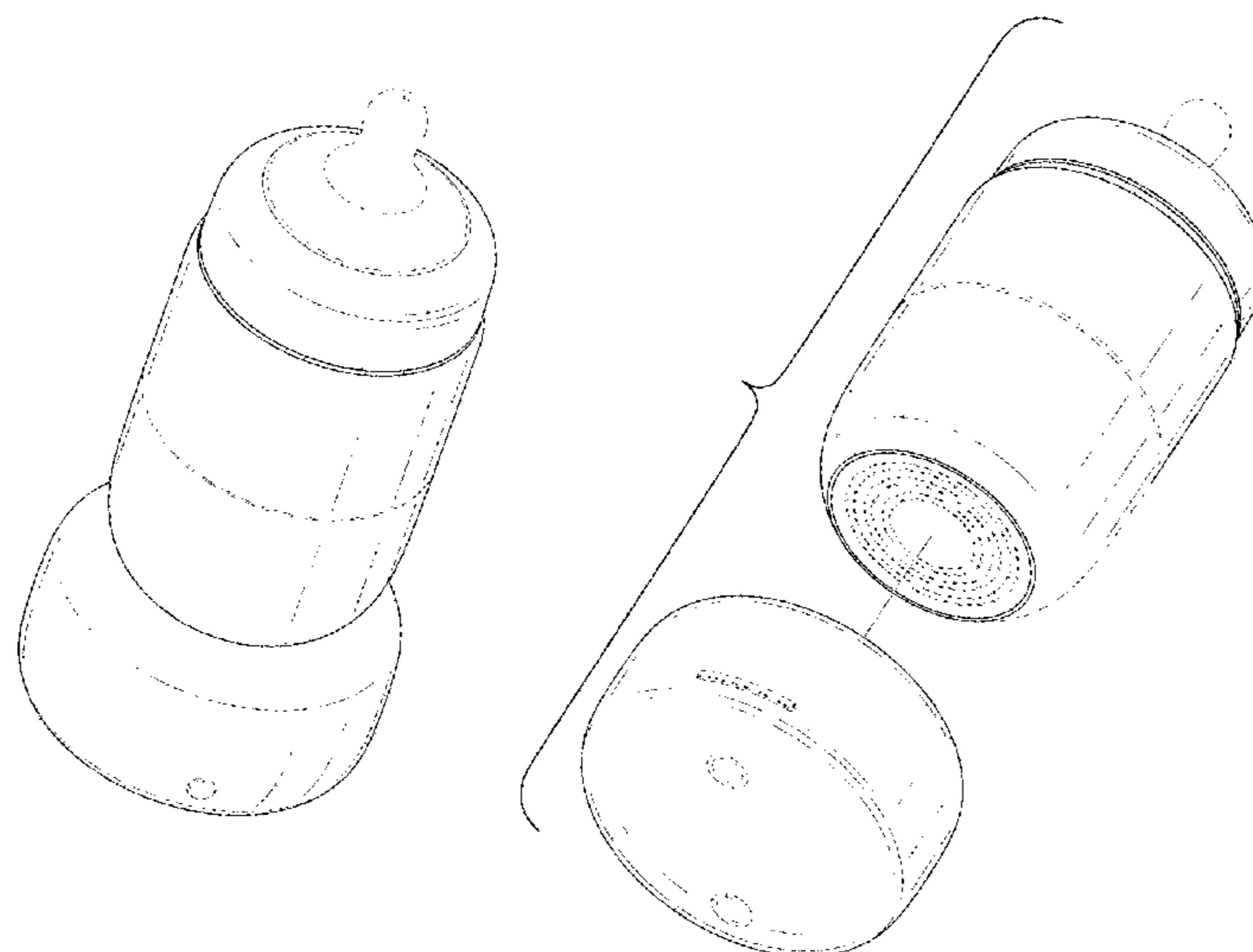
(57) **CLAIM**

The ornamental design for a baby bottle and power base, as shown and described.

DESCRIPTION

FIG. 1 is a top perspective view of a baby bottle and power base embodying our new design, according to one embodiment;
FIG. 2 is a top view thereof;
FIG. 3 is a bottom view thereof;
FIG. 4 is a front view thereof;
FIG. 5 is a rear view thereof;
FIG. 6 is a right side view thereof;
FIG. 7 is a left side view thereof;
FIG. 8 is a top perspective exploded view thereof; and
FIG. 9 is a bottom perspective exploded view thereof.
FIG. 10 is a top perspective view of the baby bottle, according to another embodiment;
FIG. 11 is a top view thereof;
FIG. 12 is a bottom view thereof;
FIG. 13 is a front view thereof;
FIG. 14 is a rear view thereof;
FIG. 15 is a right side view thereof;
FIG. 16 is a left side view thereof;
FIG. 17 is a cross-sectional view thereof.
FIG. 18 is a top perspective view of the power base, according to another embodiment;
FIG. 19 is a top view thereof;
FIG. 20 is a bottom view thereof;
FIG. 21 is a front view thereof;
FIG. 22 is a rear view thereof;
FIG. 23 is a right side view thereof; and,
FIG. 24 is a left side view thereof.
The broken lines illustrate portions of the article that form no part of the claimed design.

1 Claim, 19 Drawing Sheets



US D878,849 S

(58) **Field of Classification Search**
CPC A01J 9/08; A23L 3/10; A47J 27/04; A47J
27/004; A47J 36/24; A47J 36/2411; A47J
36/2416; A47J 36/2433; A47J 36/2438;
A47J 36/2461; A47J 39/00; A47J 39/006;
A47J 41/00; A61J 9/00; A61J 9/04; A63H
33/30; H05B 3/0004
See application file for complete search history.

5,692,627 A 12/1997 Feng
D394,581 S * 5/1998 Paris D7/326
6,403,928 B1 * 6/2002 Ford A47J 36/2461
219/386
6,703,590 B1 * 3/2004 Holley, Jr. A47J 36/2433
126/265
6,742,665 B2 * 6/2004 Lombardo A61J 9/04
215/11.5
D606,661 S * 12/2009 Colombo D24/197
8,045,848 B2 * 10/2011 Wortley A47J 36/2438
392/441
D842,020 S * 3/2019 Augustyn D7/326
2007/0017890 A1 * 1/2007 Al-Jadh A61J 9/00
215/11.1

(56) **References Cited**
U.S. PATENT DOCUMENTS

2,843,719 A * 7/1958 Smith A47J 36/2433
392/336
2,992,316 A * 7/1961 Baumstein A47J 36/2433
219/441
3,805,440 A * 4/1974 Becker A63H 33/30
446/418

2007/0223895 A1 9/2007 Flemm
2008/0041859 A1 2/2008 Teglbjarg
2008/0179311 A1 7/2008 Koro et al.
2008/0251063 A1 10/2008 Palena et al.
2012/0064470 A1 3/2012 Delattre et al.

* cited by examiner

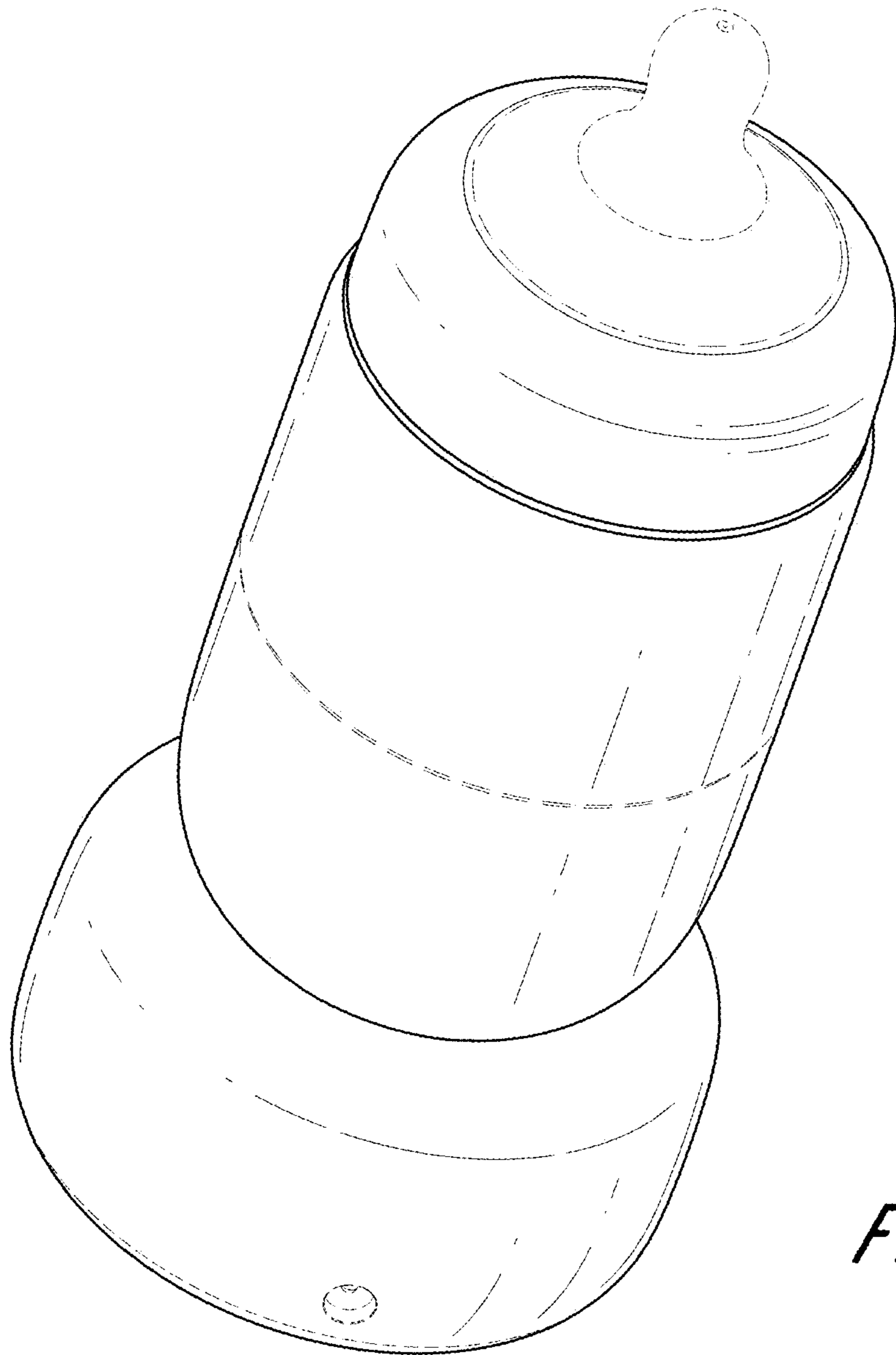


FIG. 1

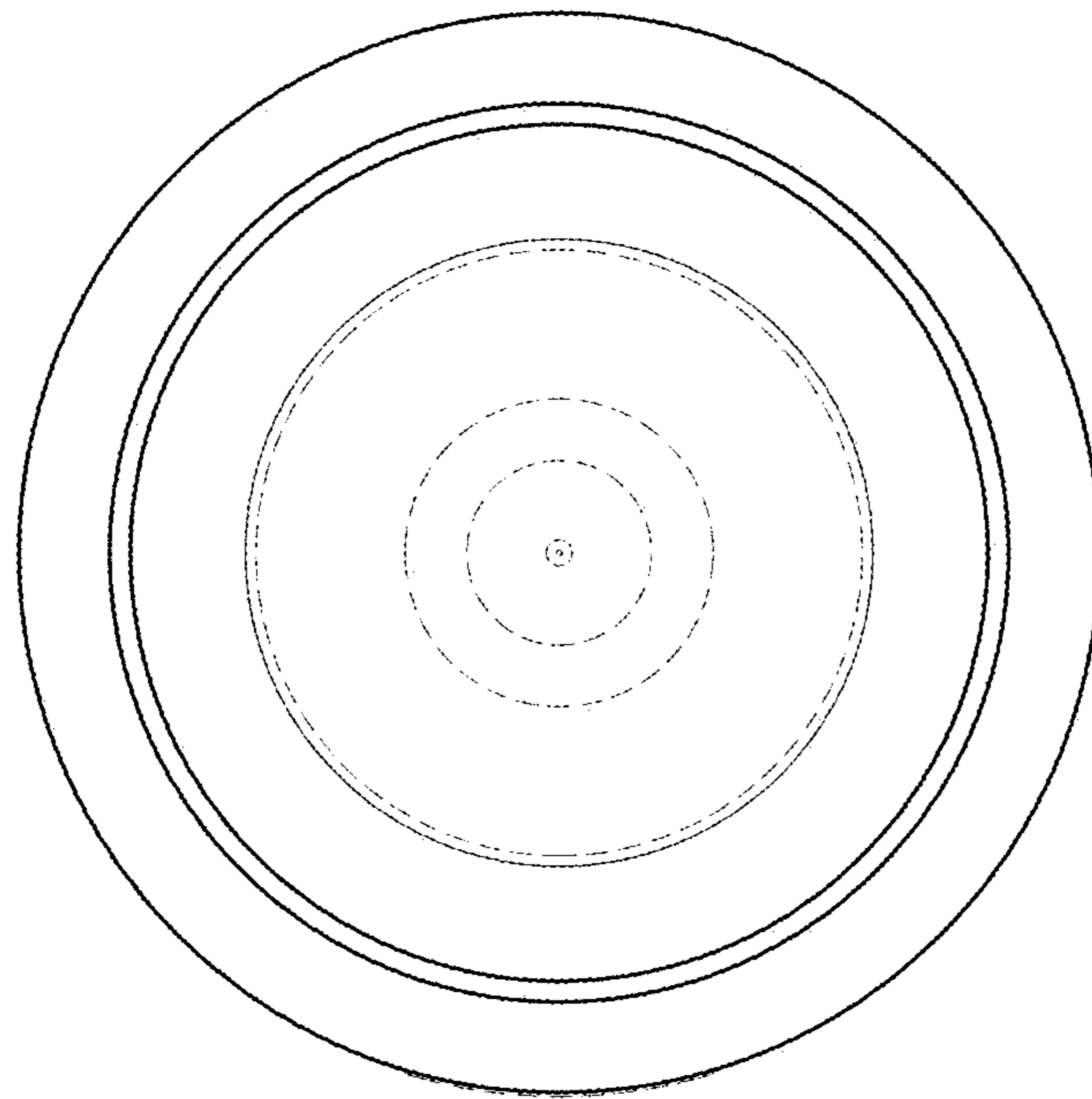


FIG. 2

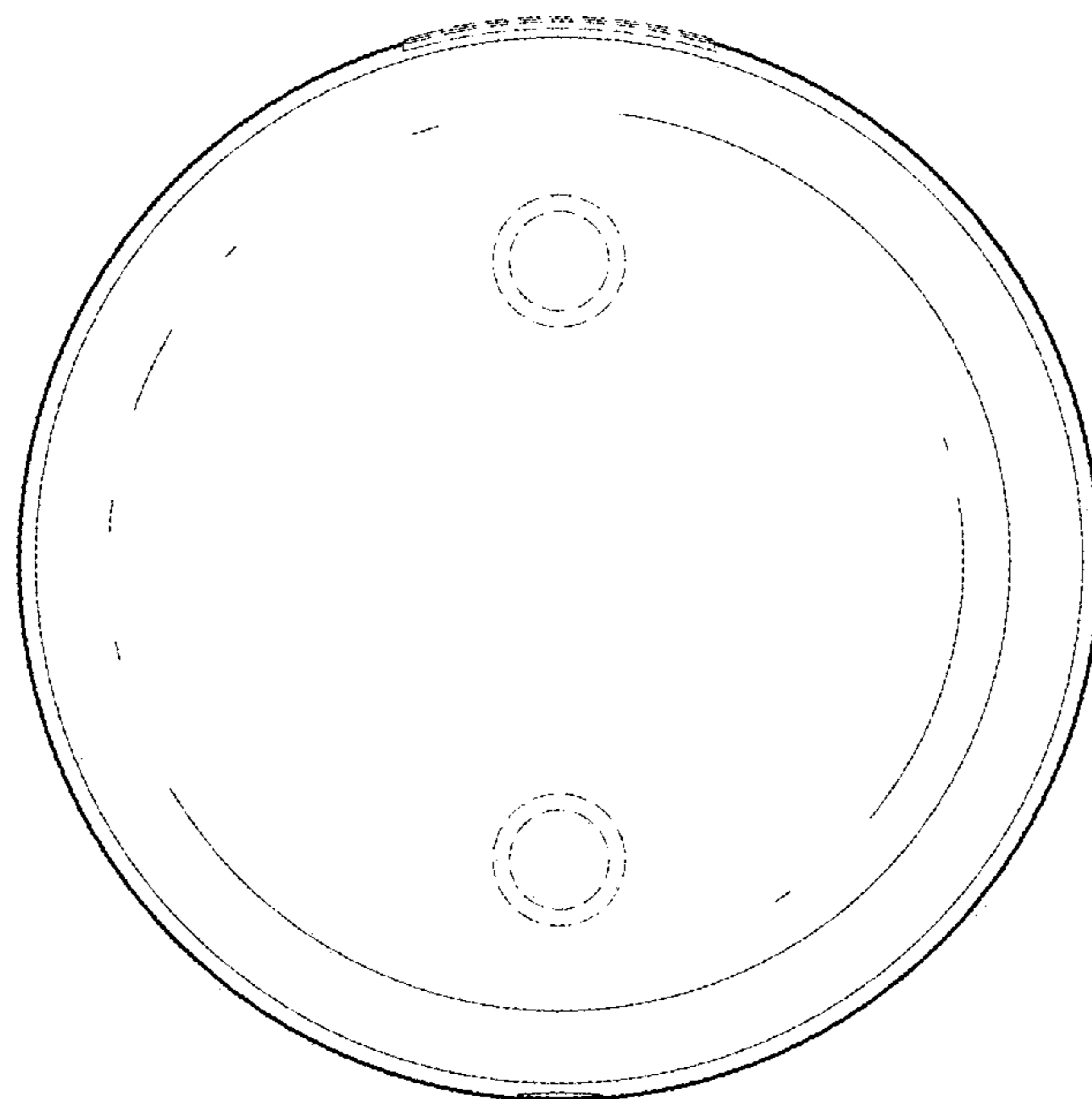


FIG. 3

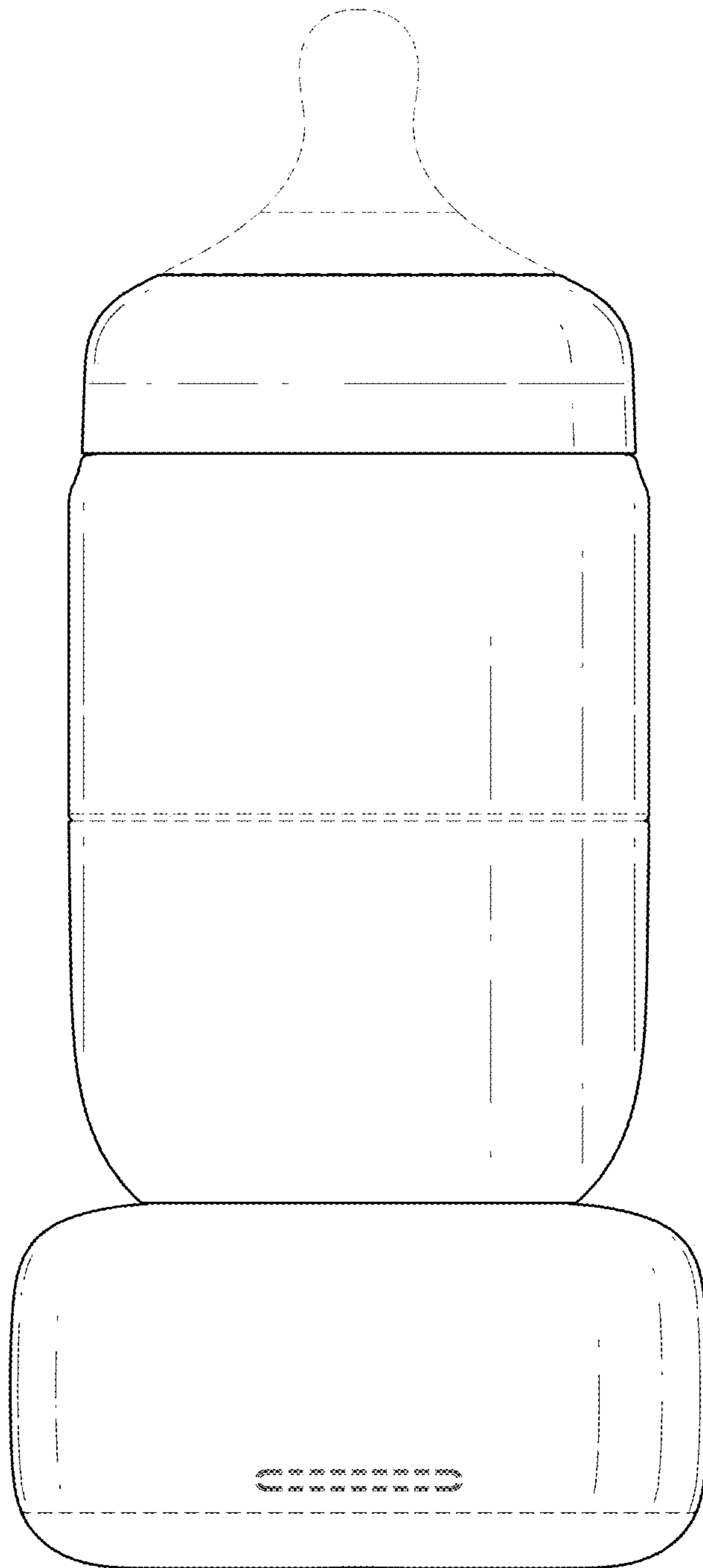


FIG. 4

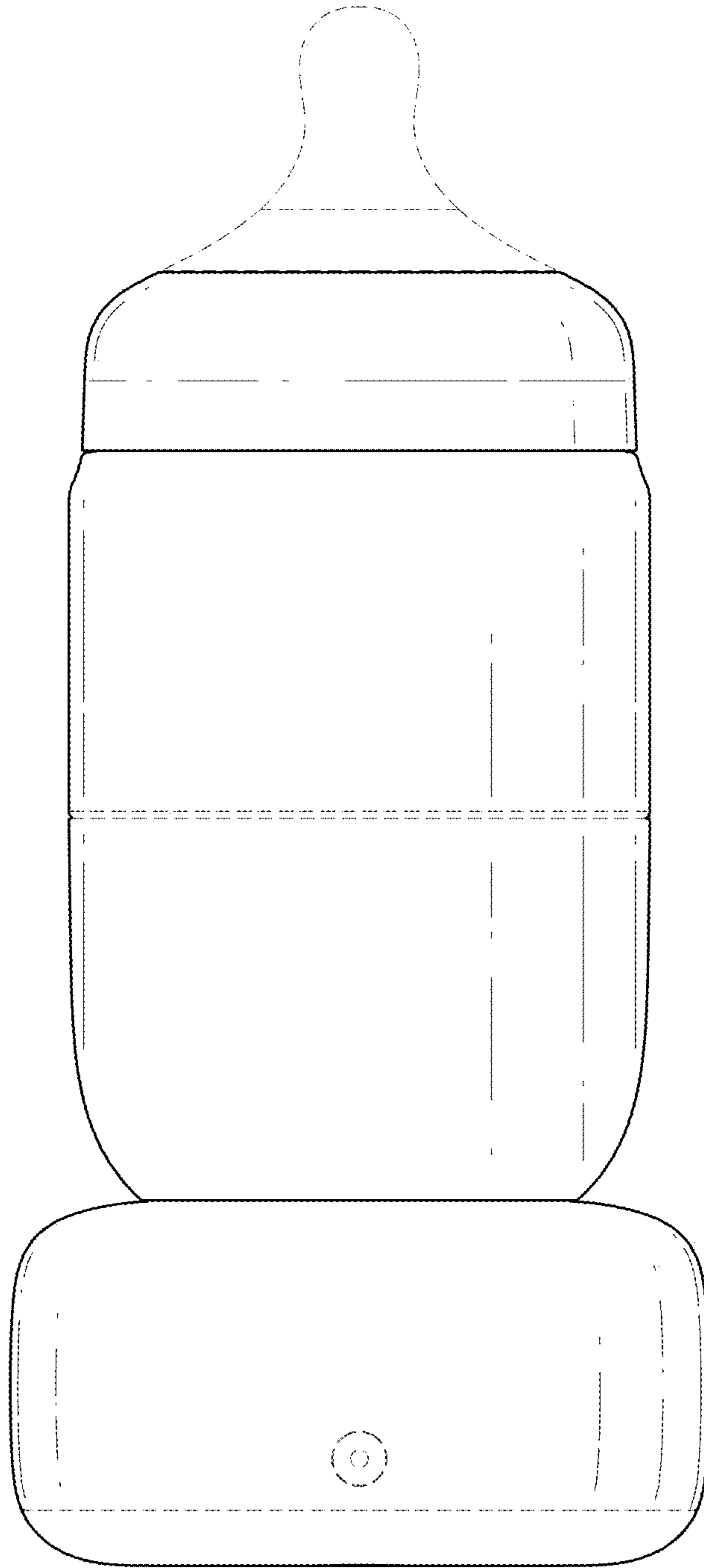


FIG. 5

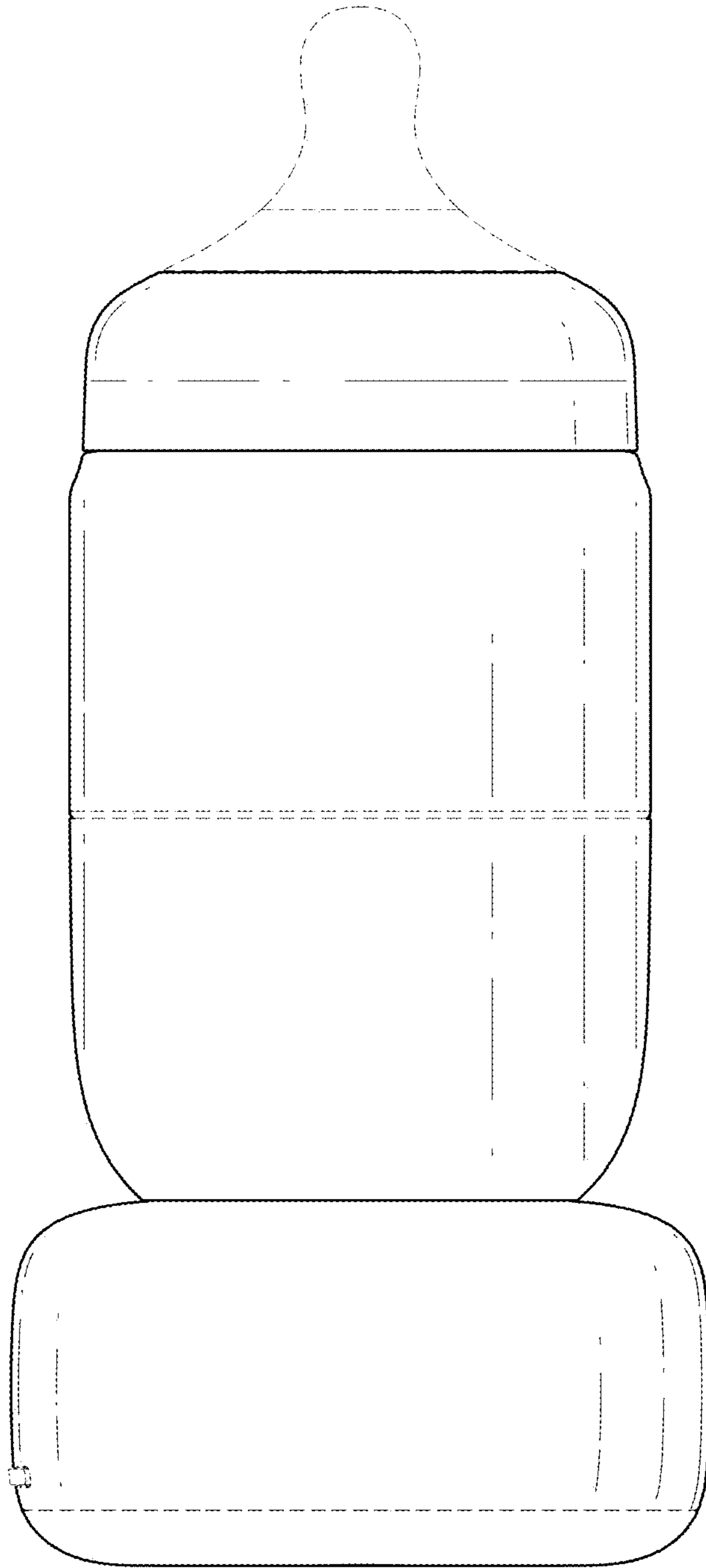


FIG. 6

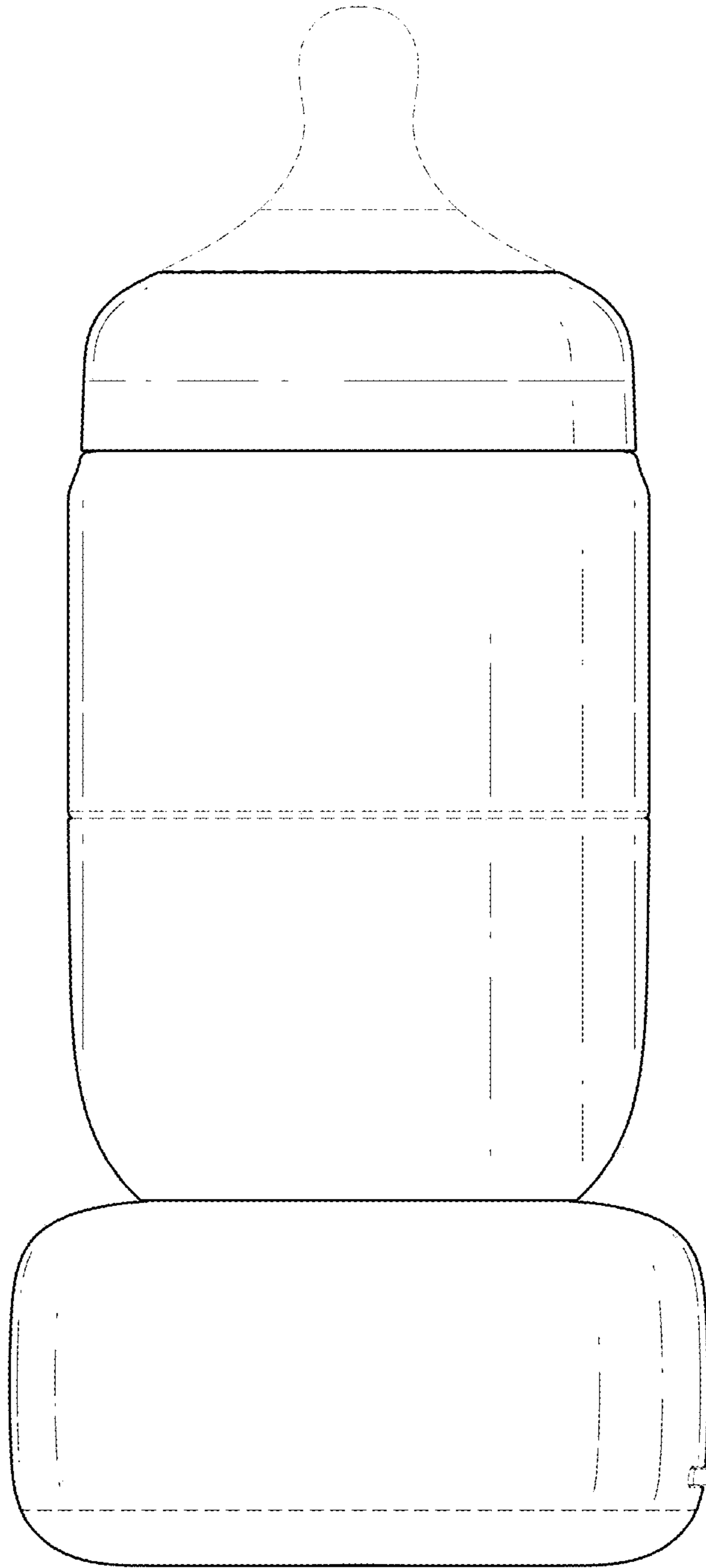


FIG. 7

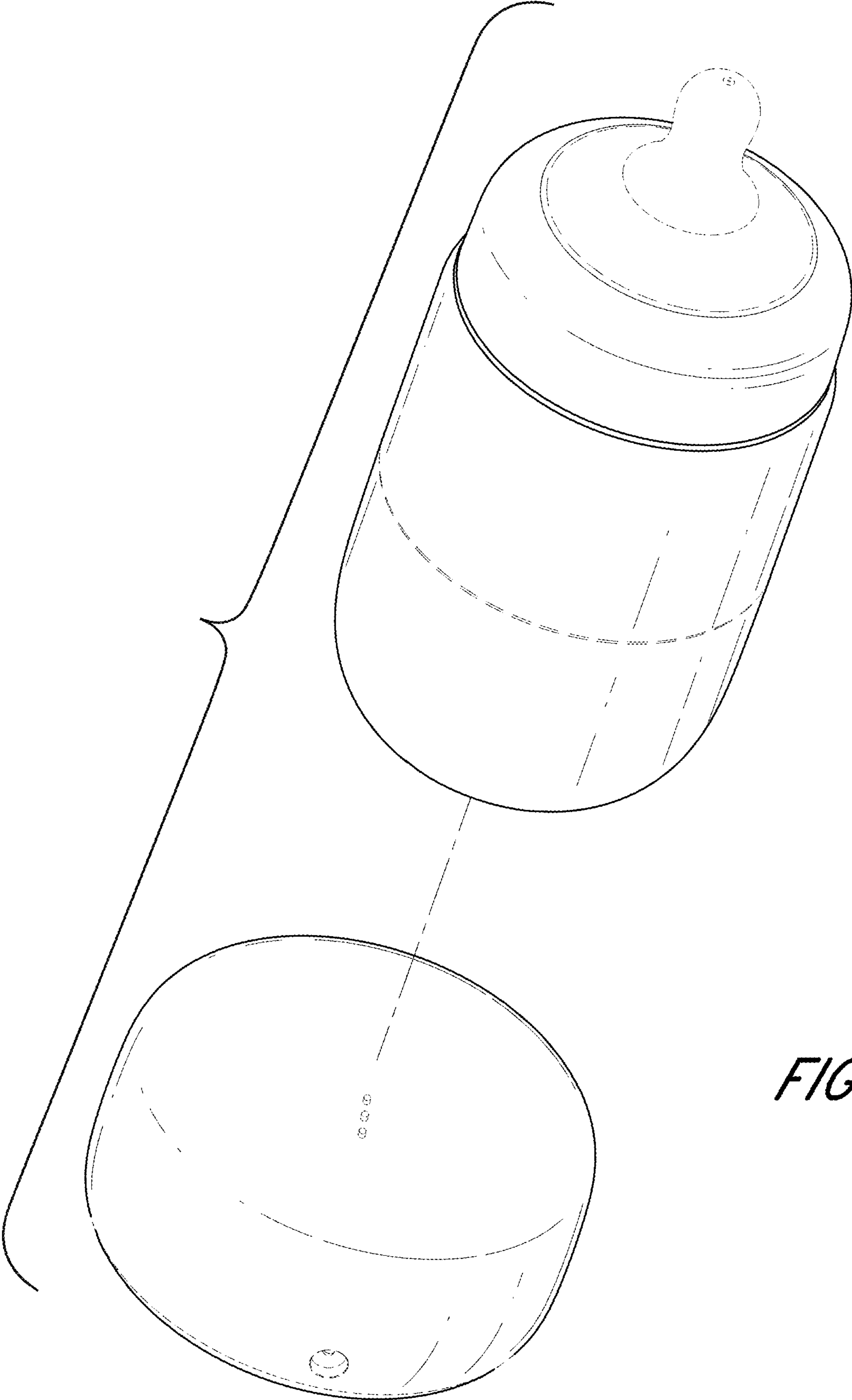


FIG. 8

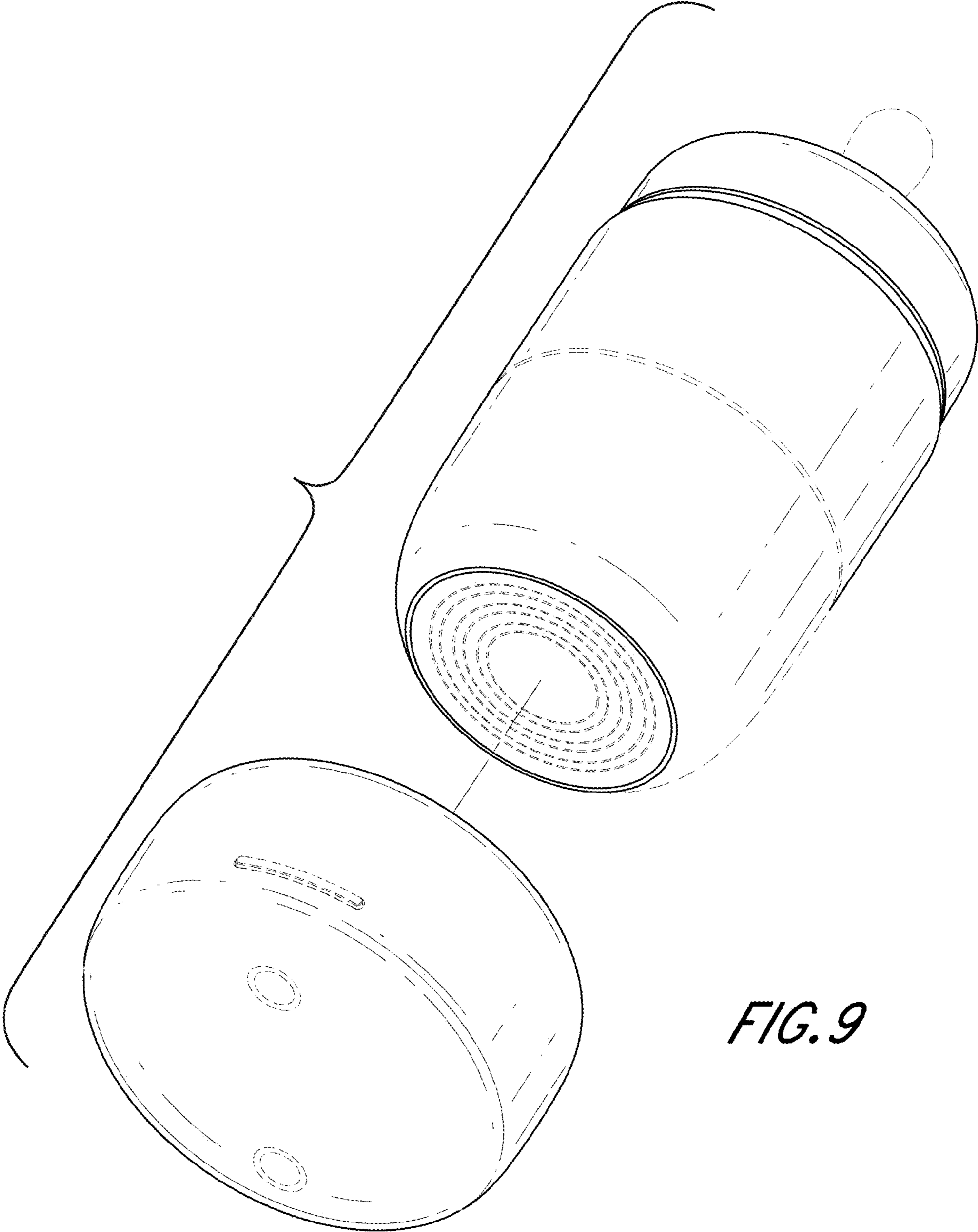


FIG. 9

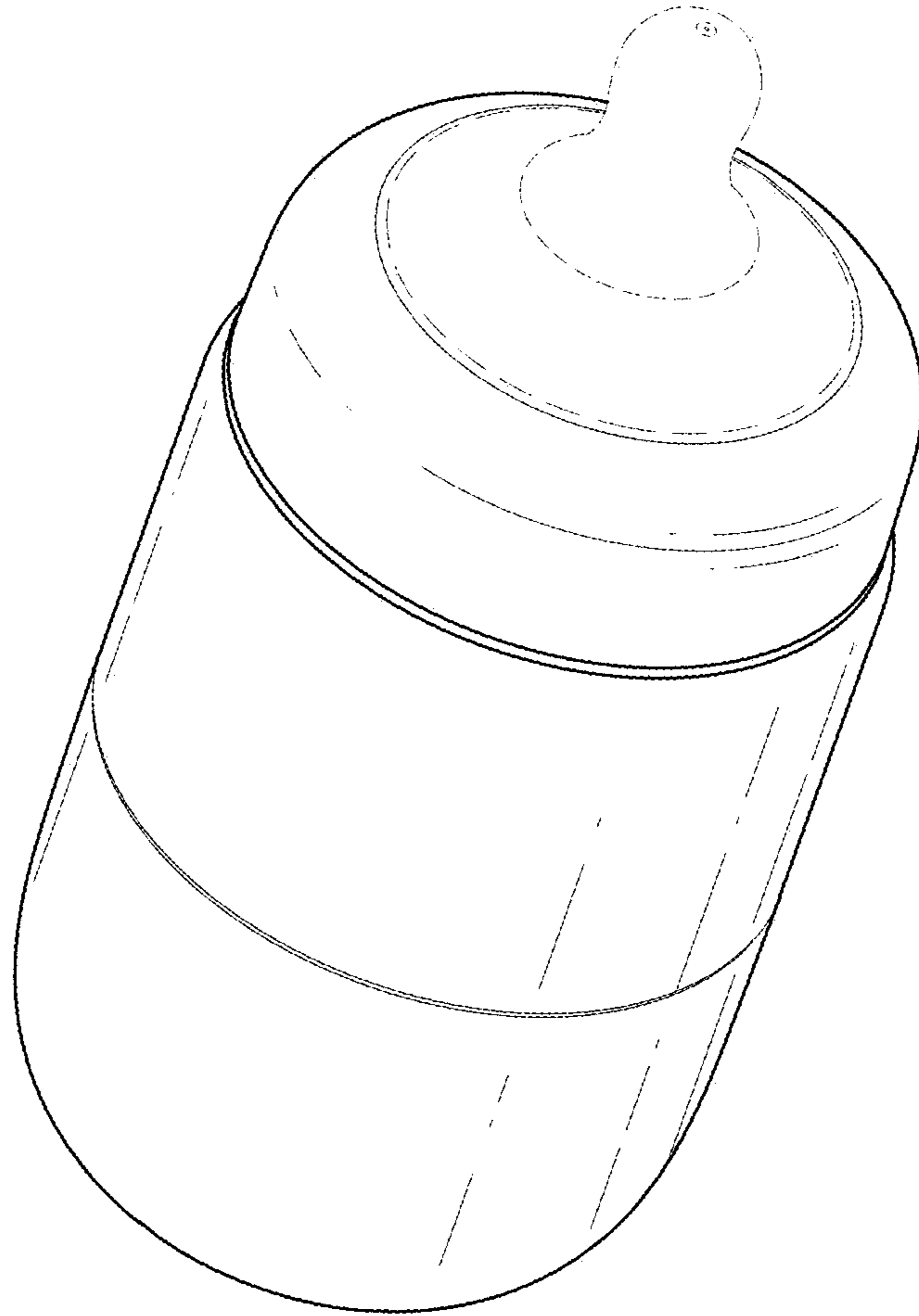


FIG. 10

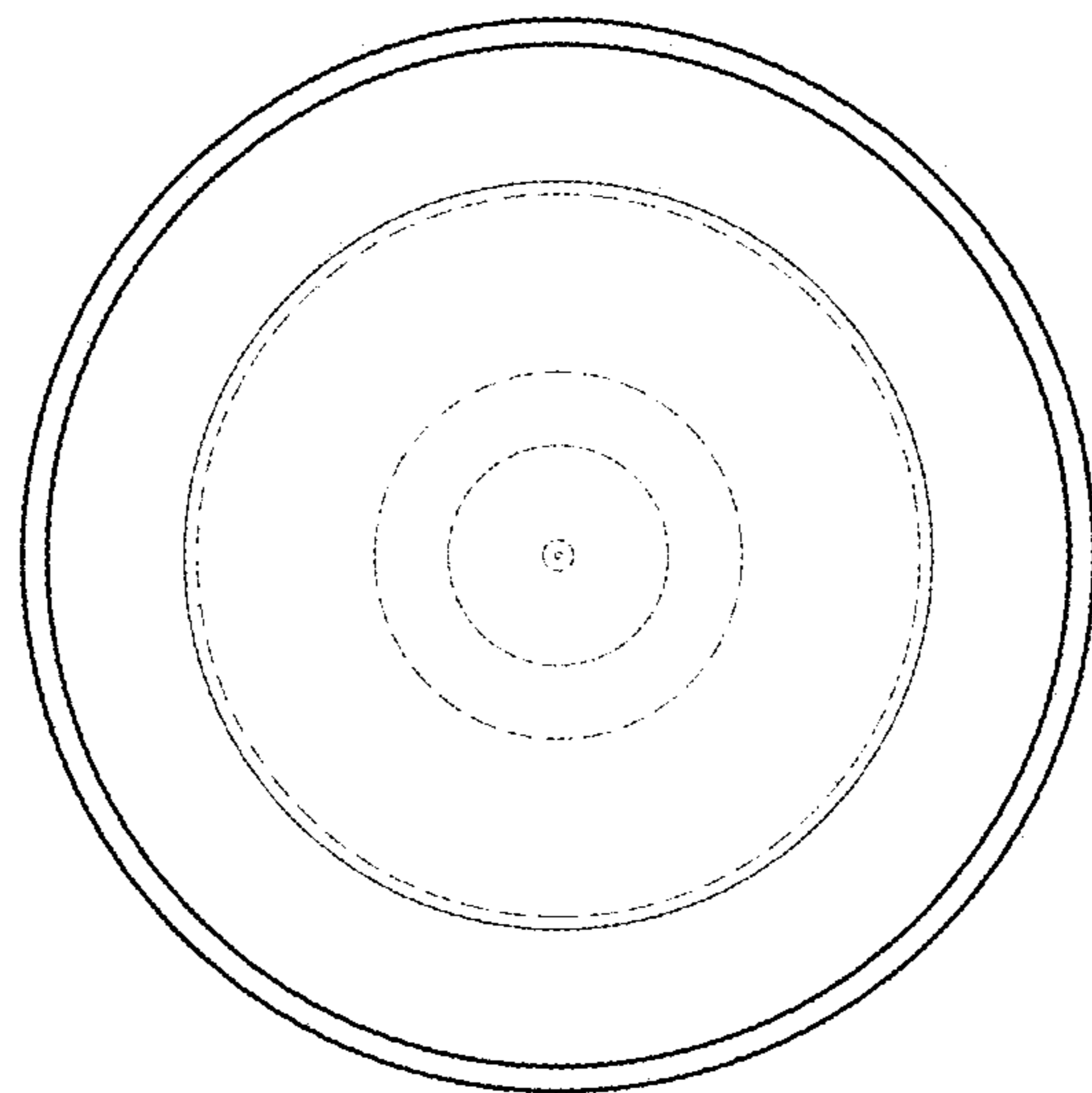


FIG. 11

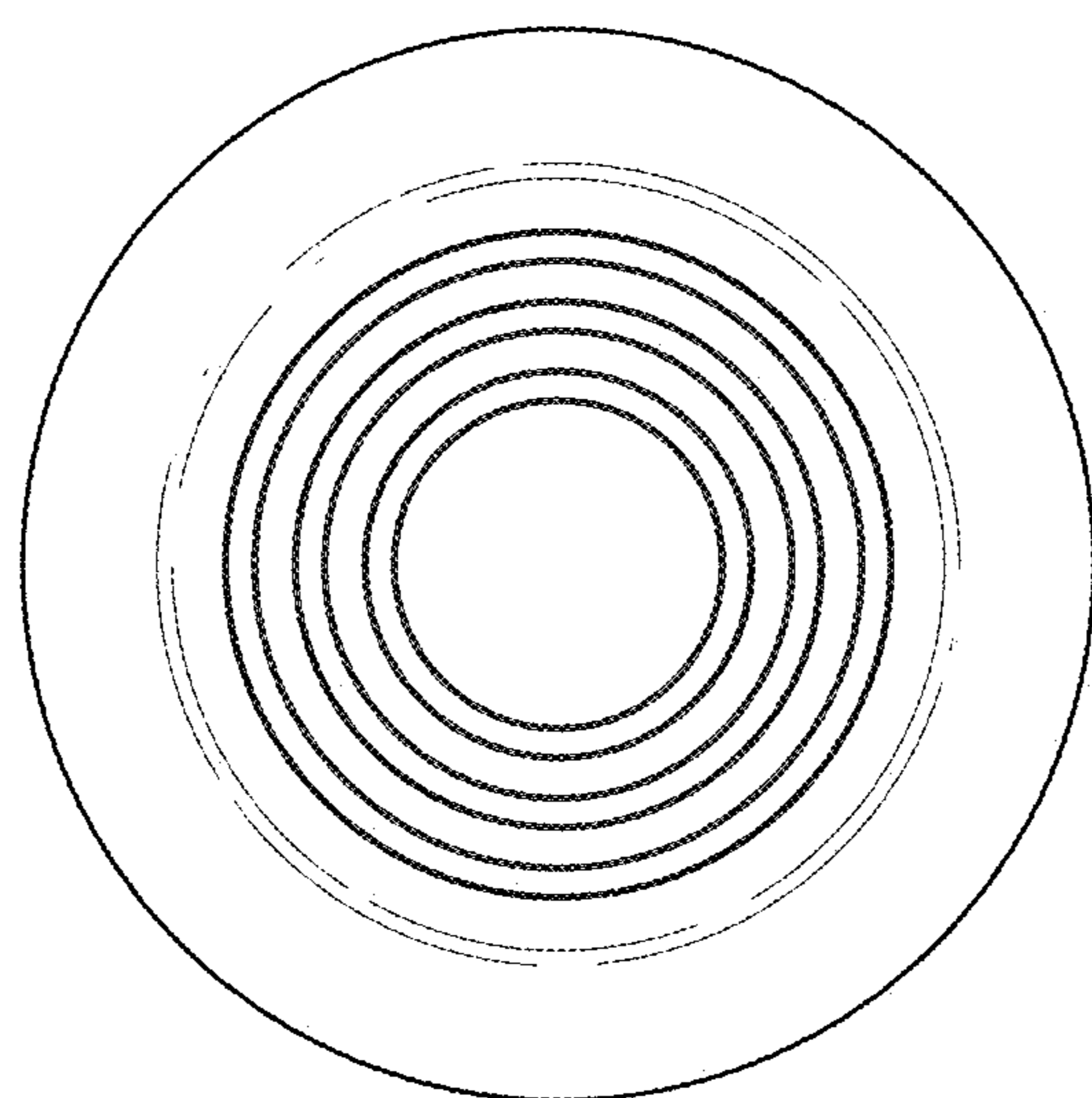


FIG. 12

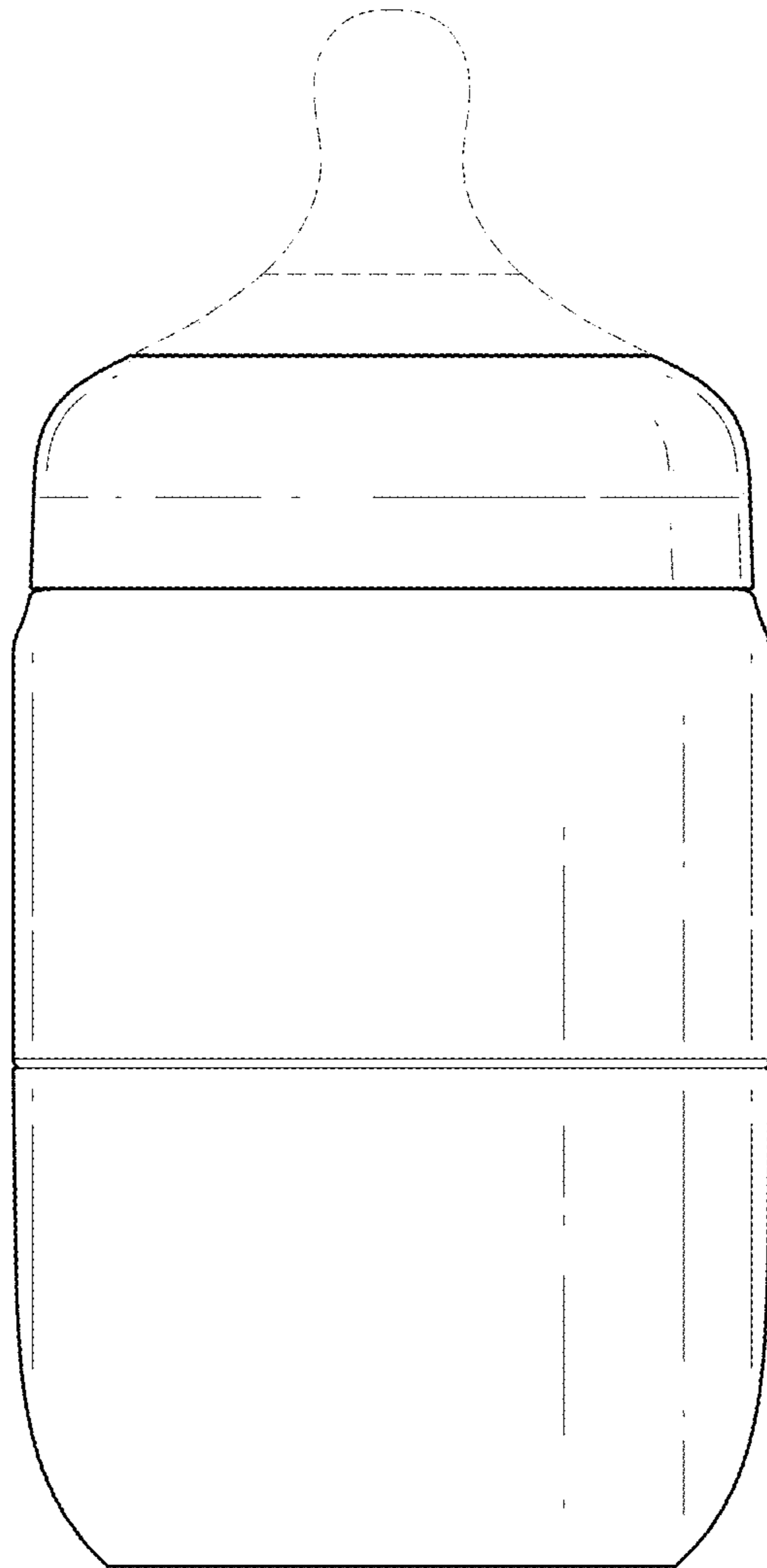


FIG. 13

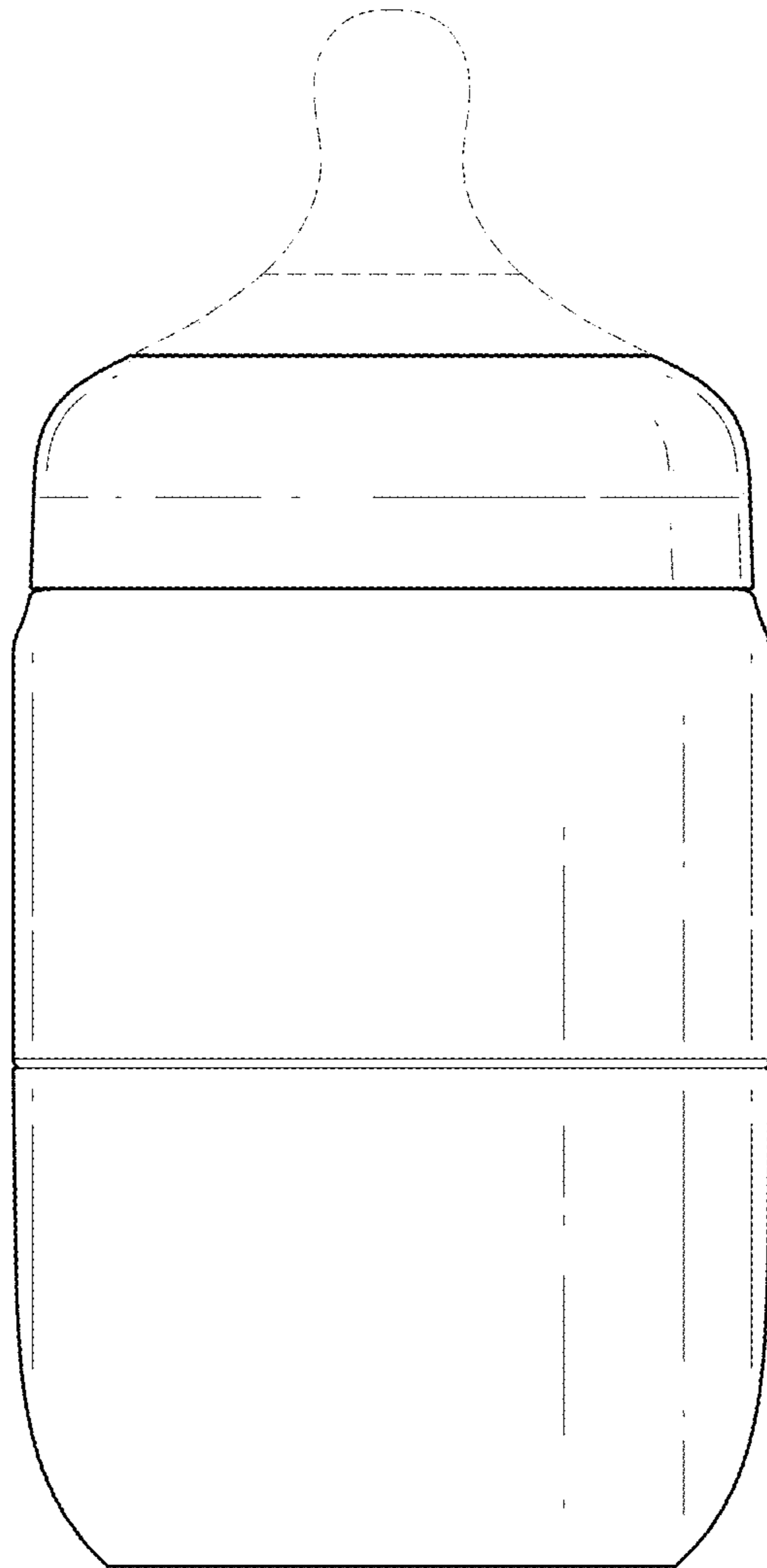


FIG. 14

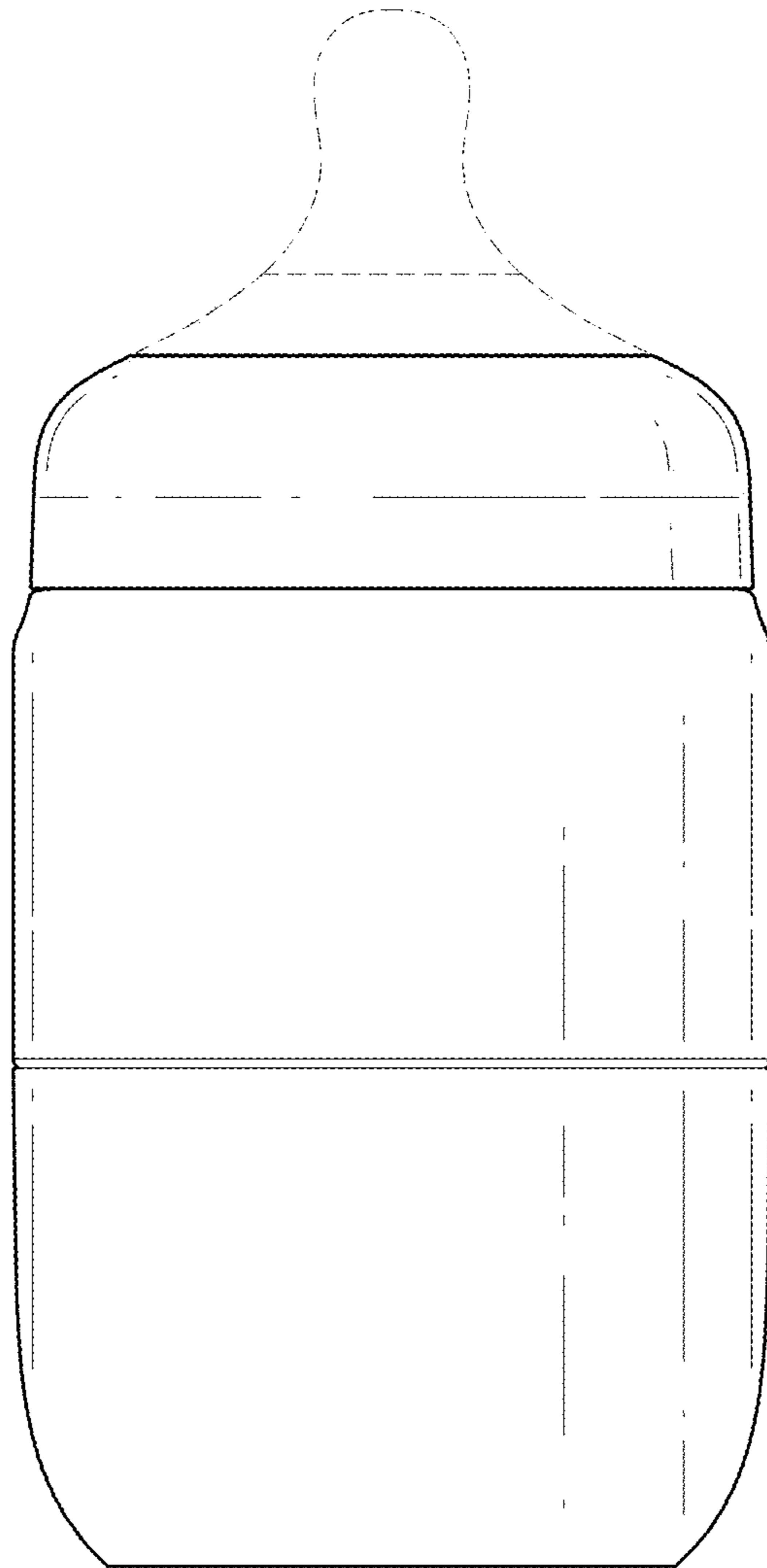


FIG. 15

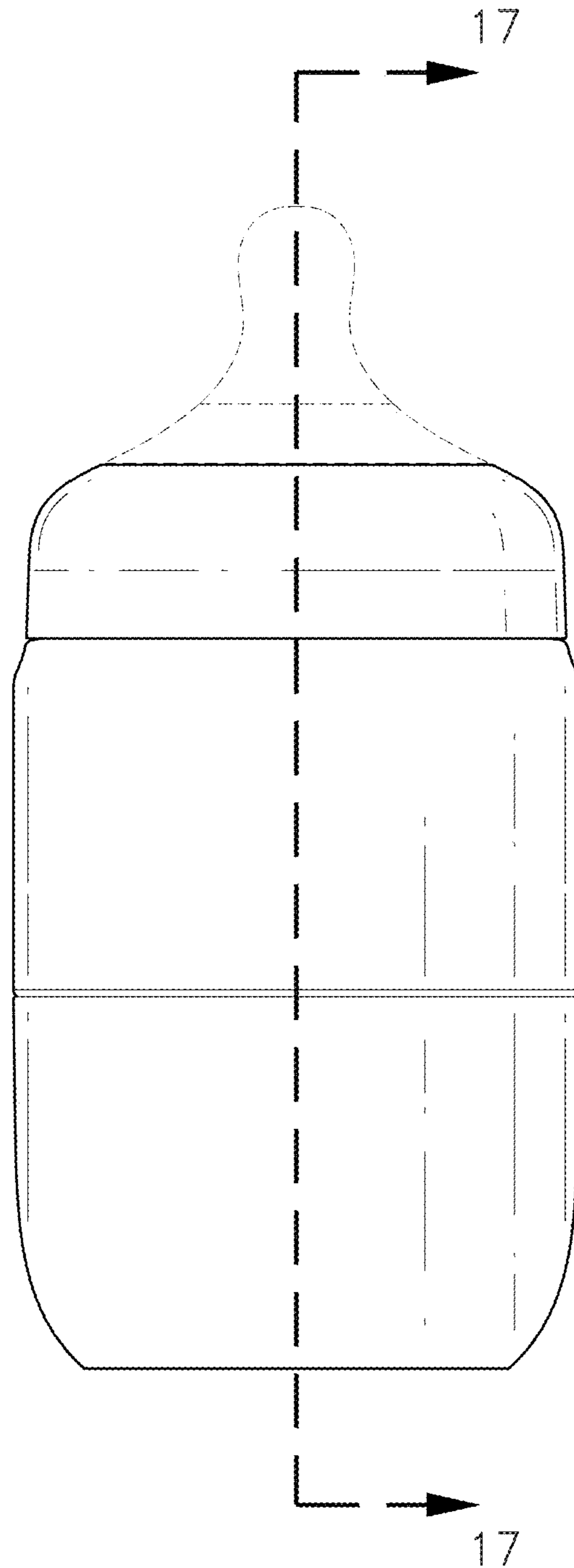


FIG. 16

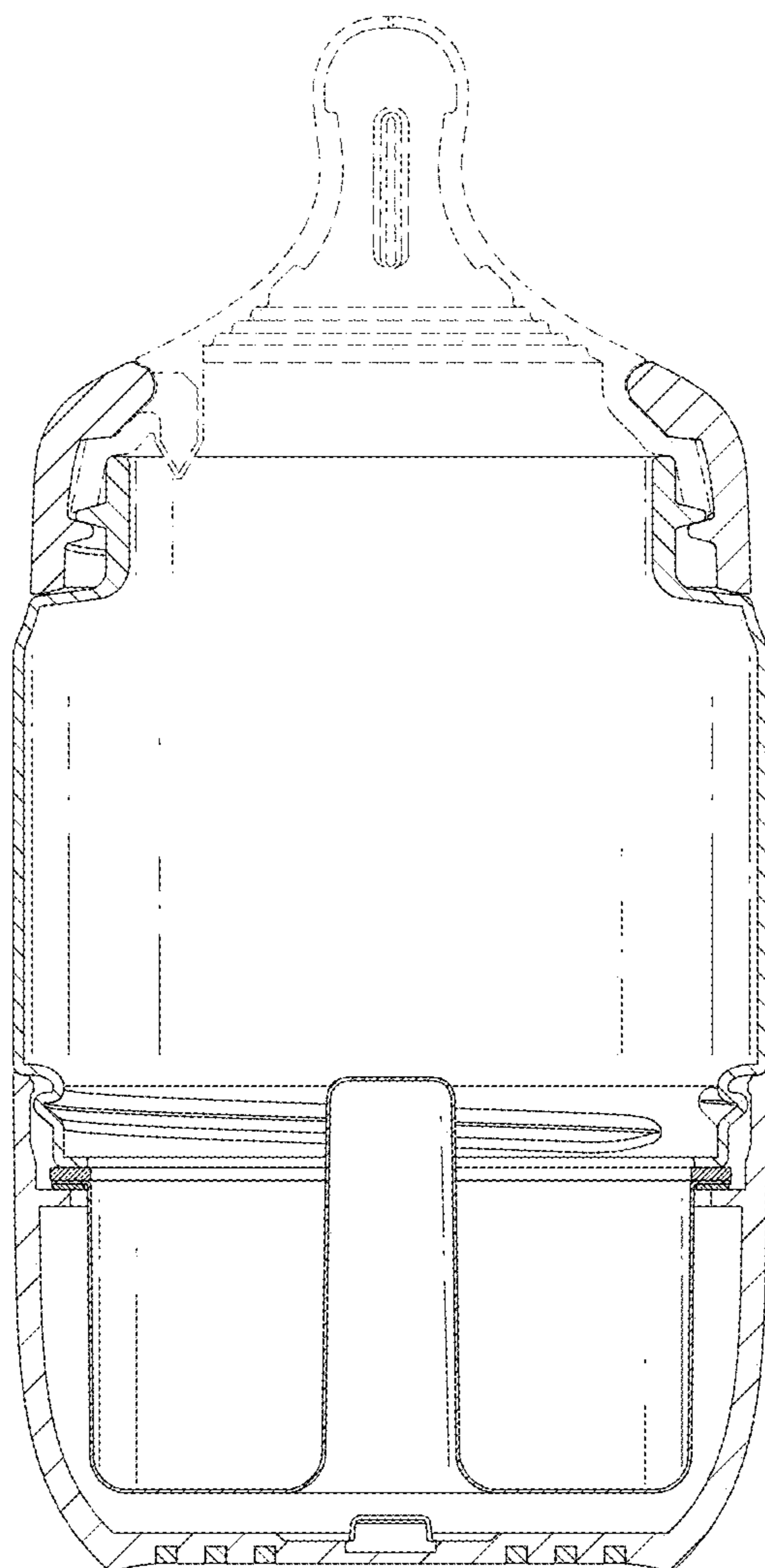


FIG. 17

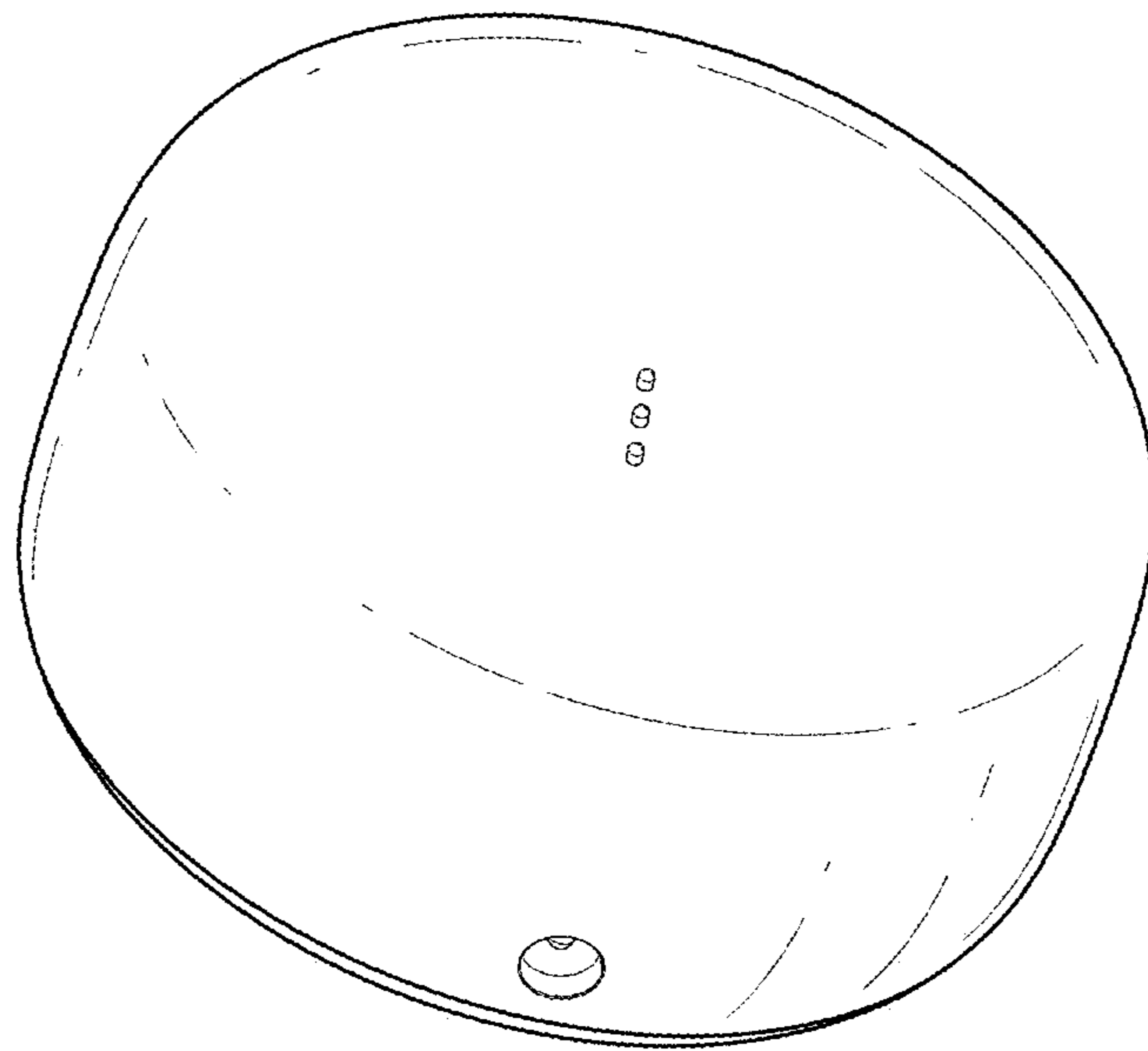


FIG. 18

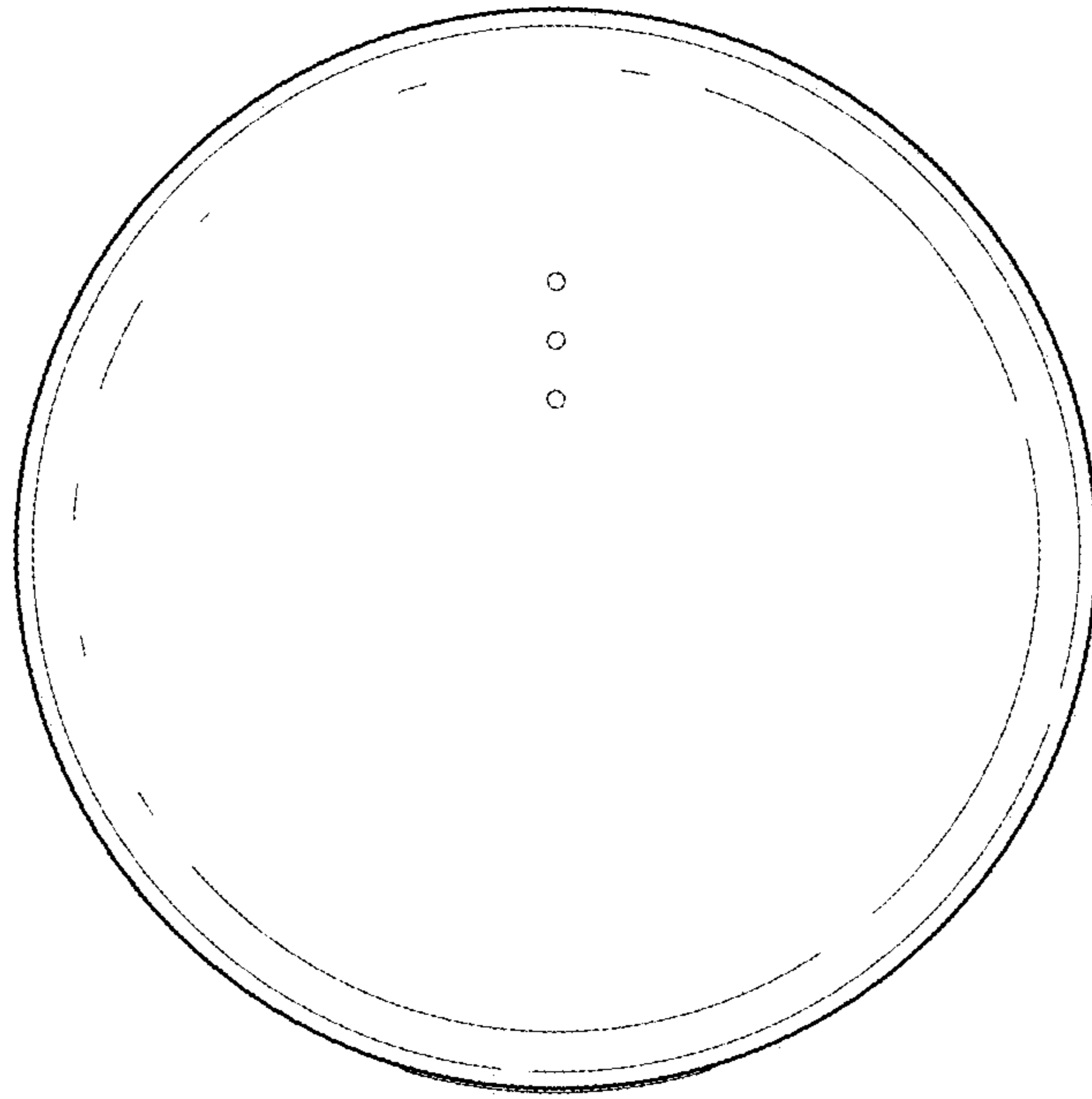


FIG. 19

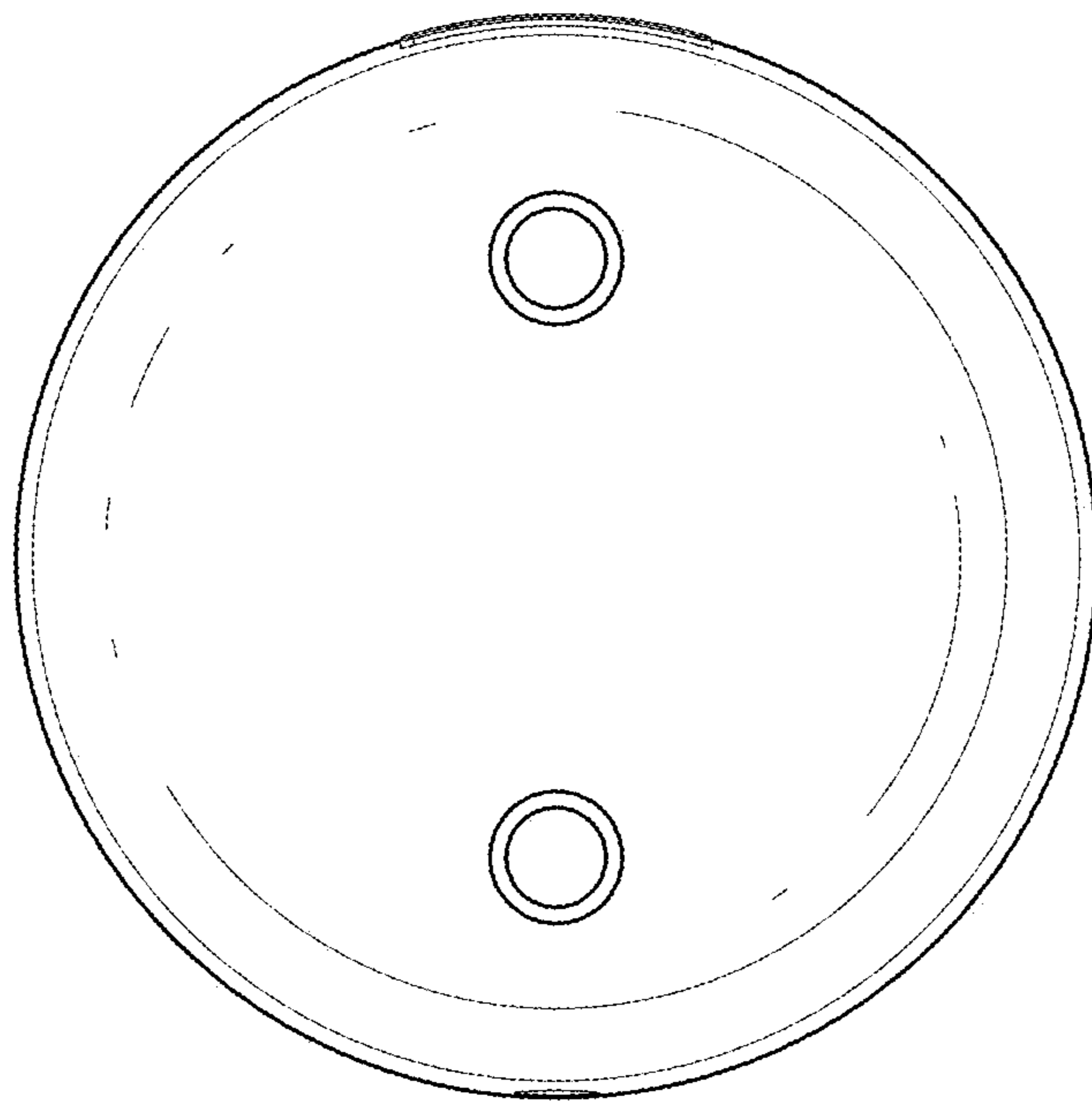


FIG. 20

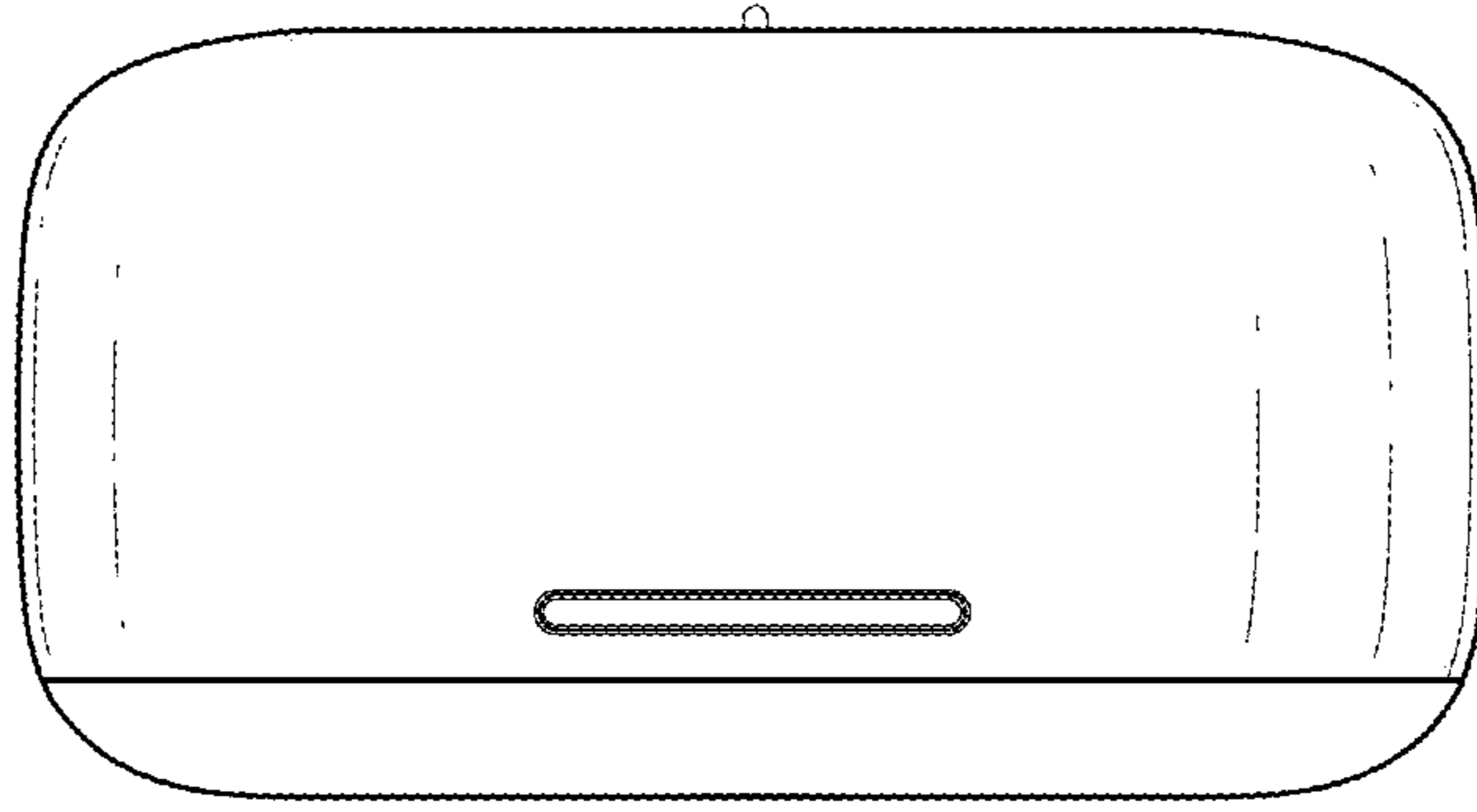


FIG. 21

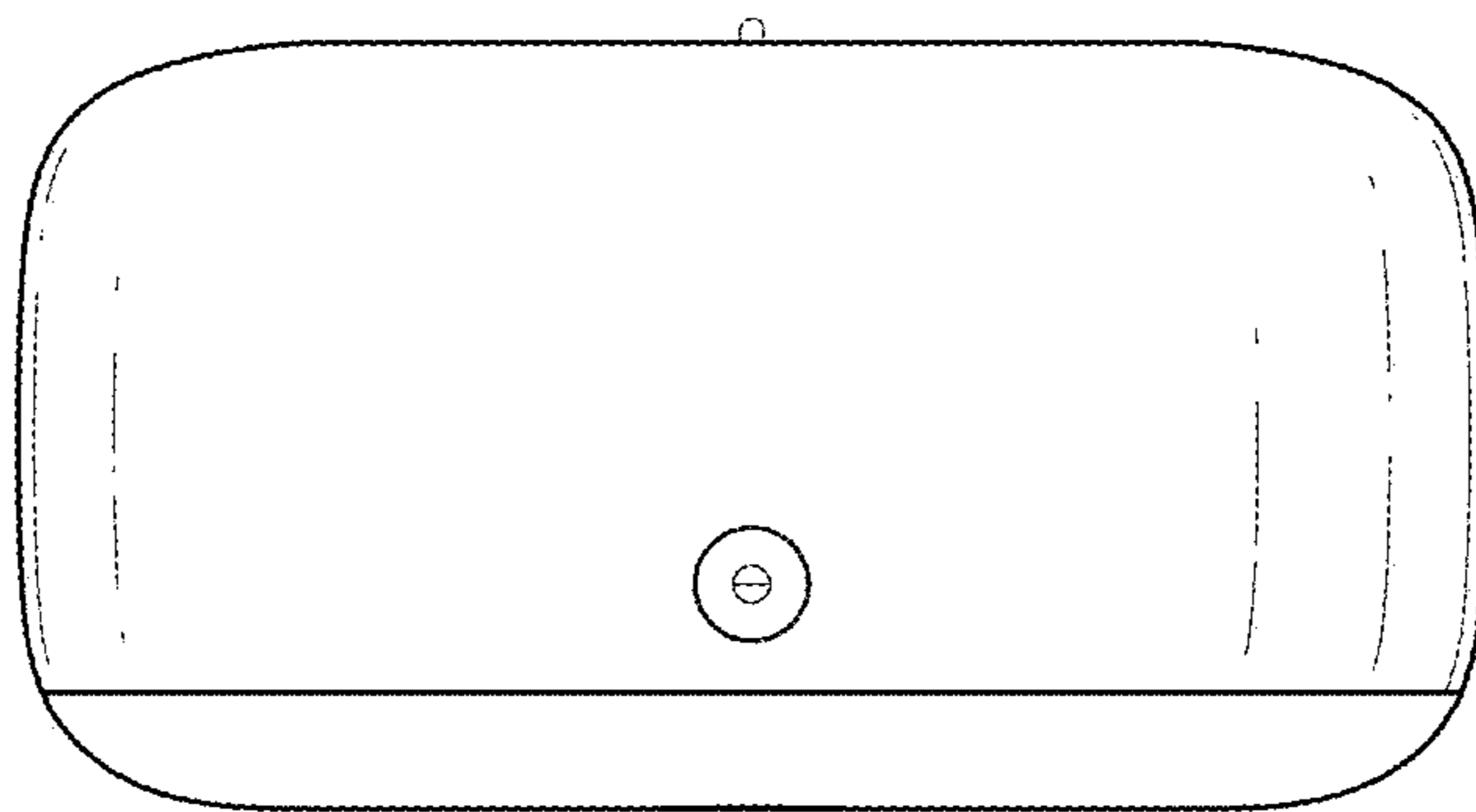


FIG. 22

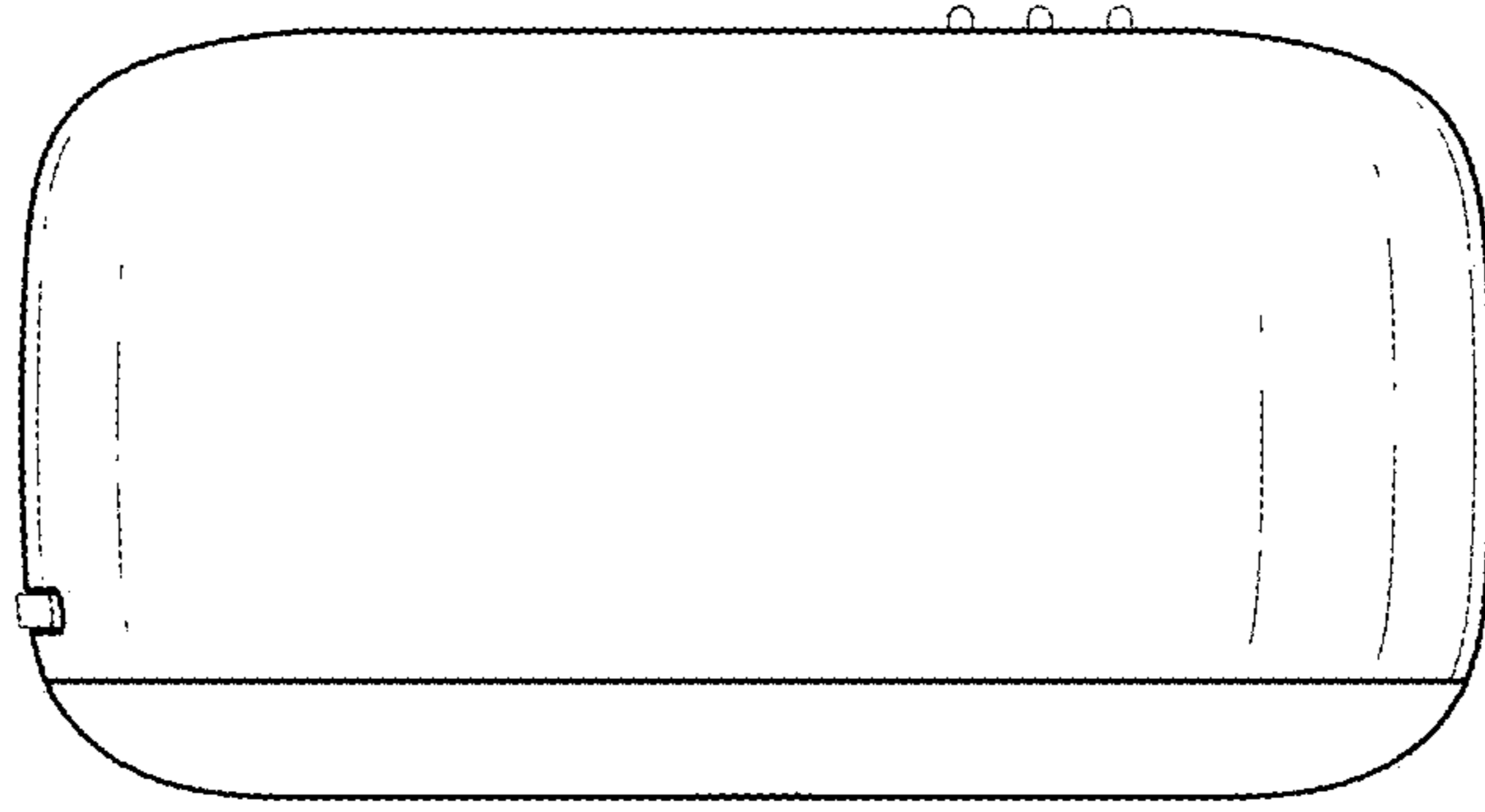


FIG. 23

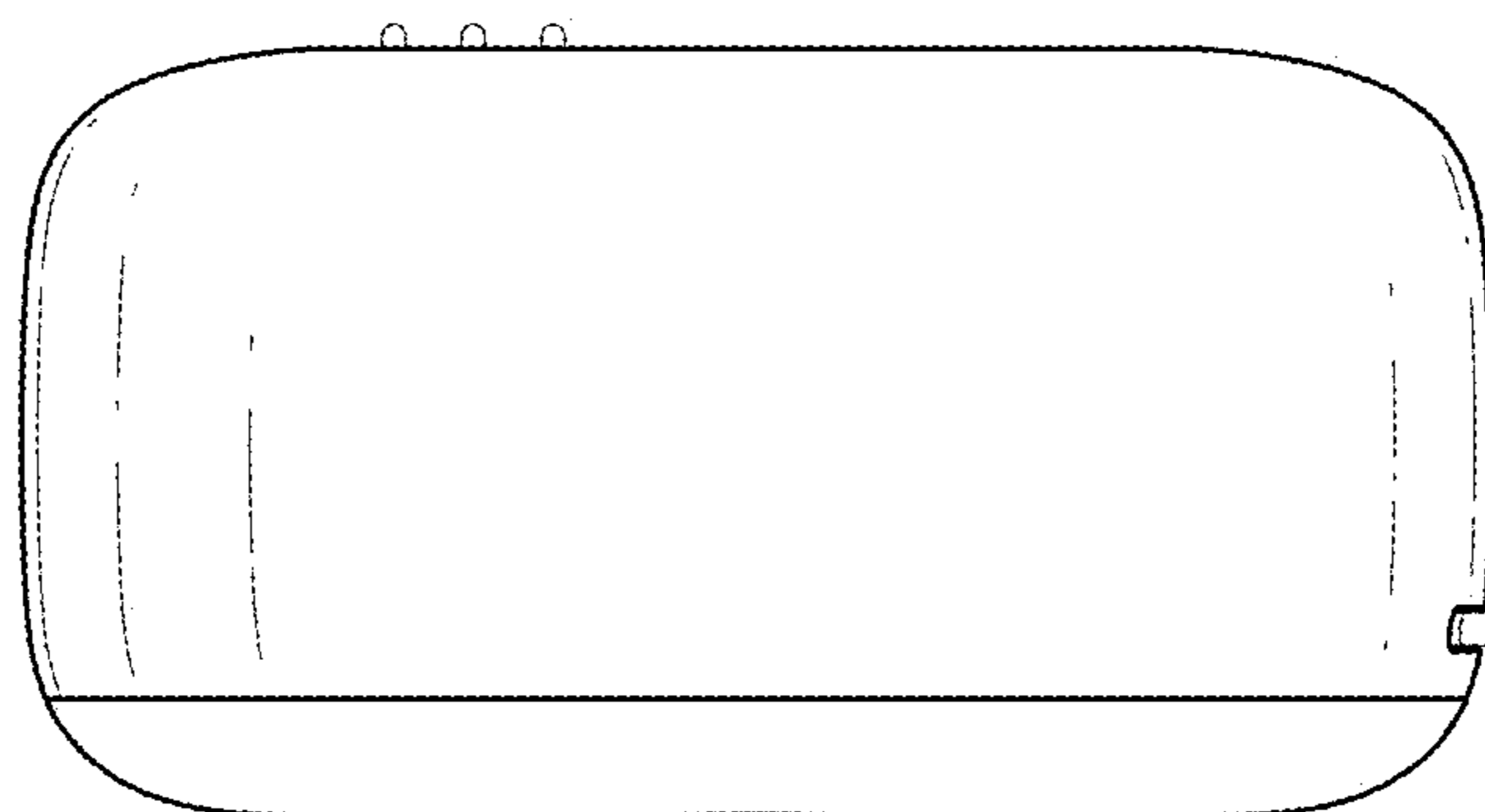


FIG. 24