



US00D878848S

(12) **United States Design Patent** (10) **Patent No.:** **US D878,848 S**
Hu (45) **Date of Patent:** **** Mar. 24, 2020**

(54) **KETTLE**
(71) Applicant: **SHENZHEN QIANHAI PATUOXUN NETWORK AND TECHNOLOGY CO., LTD**, Shenzhen (CN)
(72) Inventor: **Zaihui Hu**, Shenzhen (CN)
(73) Assignee: **SHENZHEN QIANHAI PATUOXUN NETWORK AND TECHNOLOGY CO., LTD.**, Shenzhen (CN)

(**) Term: **15 Years**

(21) Appl. No.: **29/711,398**

(22) Filed: **Oct. 30, 2019**

(51) **LOC (12) Cl.** **07-01**

(52) **U.S. Cl.**
USPC **D7/317; D7/318**

(58) **Field of Classification Search**
USPC D7/598, 312, 317, 316, 318, 319, 300;
D11/153, 146
CPC A47G 19/22; A47G 19/16; A47G 19/12;
A47J 41/0094; A47J 31/20
See application file for complete search history.

(56) **References Cited**

U.S. PATENT DOCUMENTS

D413,223 S 8/1999 Choi
D448,235 S 9/2001 Jørgensen
D475,233 S * 6/2003 De Visser D7/317
D554,425 S * 11/2007 Schwamkrug D7/317
D630,882 S * 1/2011 Cohen D7/317
D726,485 S * 4/2015 Mullen D7/317

D726,486 S 4/2015 Averty
D731,226 S * 6/2015 Sun D7/316
D747,130 S * 1/2016 Kunz D7/317
D752,911 S 4/2016 Bazzicalupo et al.
D777,500 S * 1/2017 Lee D7/317
D796,247 S 9/2017 Bazzicalupo et al.
D815,874 S * 4/2018 Chung D7/319
D817,063 S * 5/2018 Morton D7/318
D830,759 S * 10/2018 Vu D7/319
D856,732 S * 8/2019 Ren D7/318
D864,646 S * 10/2019 Josancy D7/317
D872,515 S * 1/2020 Powell D7/319
2004/0149729 A1 * 8/2004 Kressmann A47J 27/21083
219/494
2005/0229788 A1 * 10/2005 White A47J 27/21175
99/323

* cited by examiner

Primary Examiner — Marianne N Pandozzi

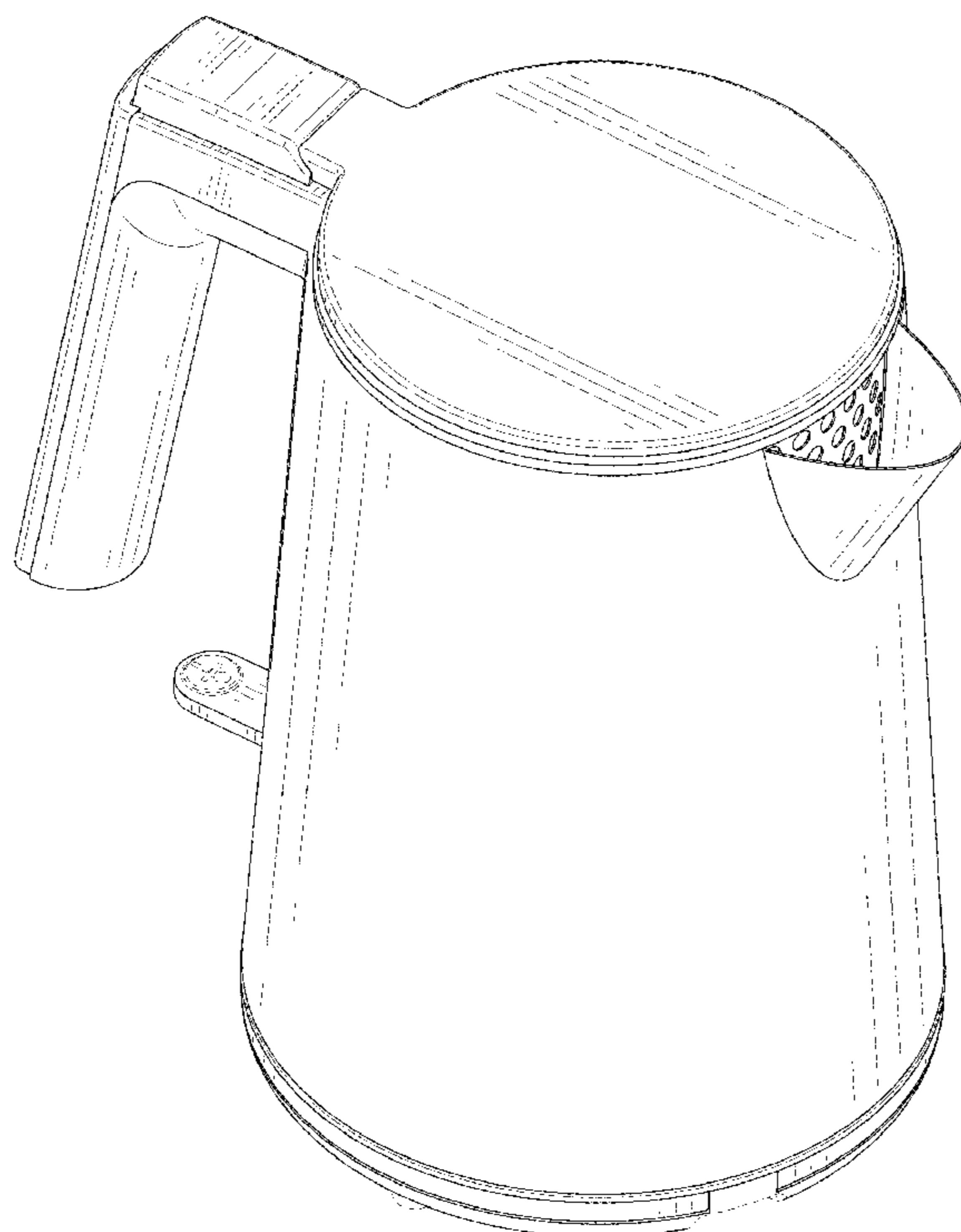
(57) **CLAIM**

The ornamental design for a kettle, as shown and described.

DESCRIPTION

FIG. 1 is a perspective view of a kettle showing my new design;
FIG. 2 is another perspective view thereof;
FIG. 3 is a front elevational view thereof;
FIG. 4 is a rear elevational view thereof;
FIG. 5 is a left side elevational view thereof;
FIG. 6 is a right side elevational view thereof;
FIG. 7 is a top plan view thereof; and,
FIG. 8 is a bottom plan view thereof.
The broken lines in the drawings depict portions of the kettle that form no part of the claimed design.

1 Claim, 8 Drawing Sheets



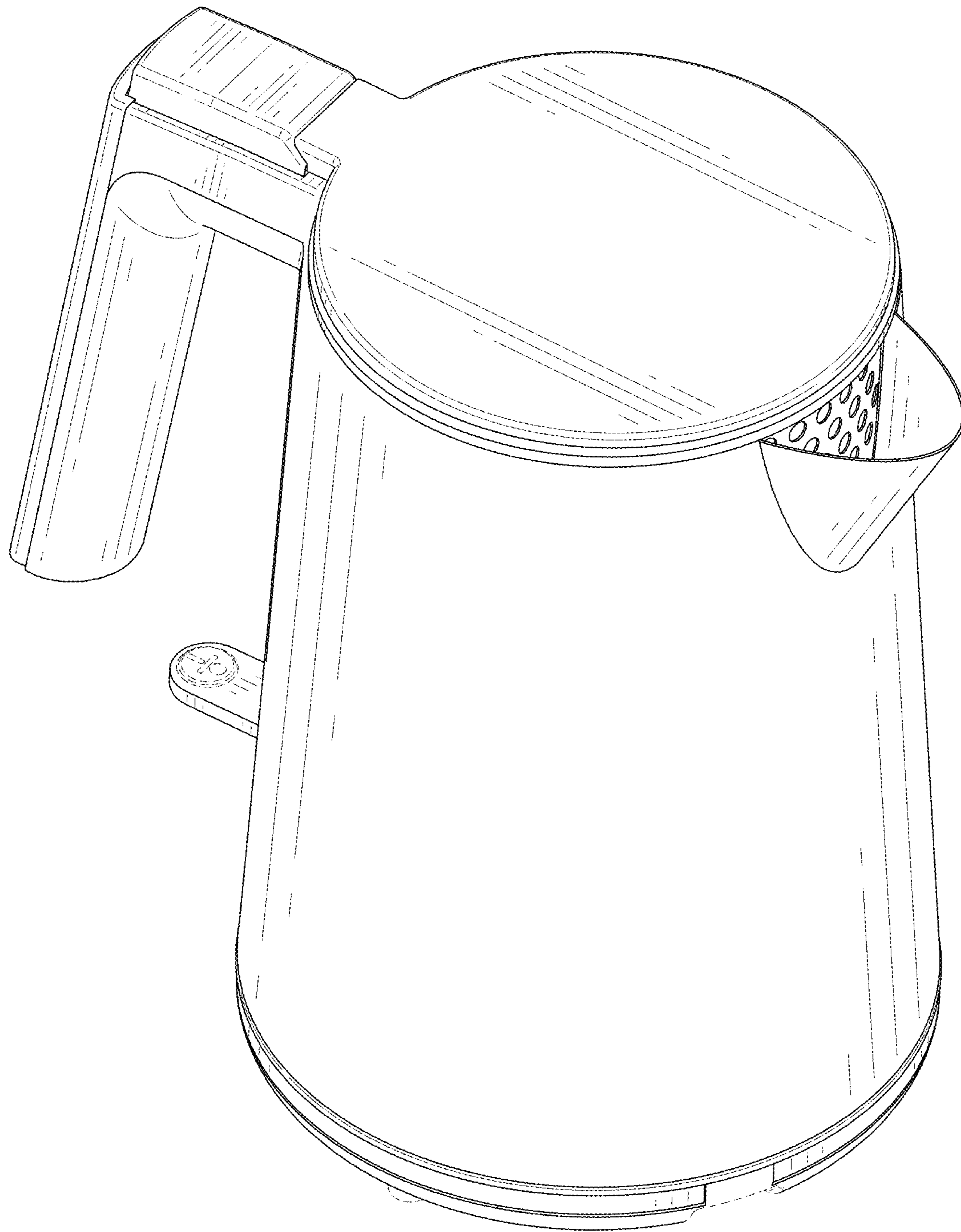


FIG. 1

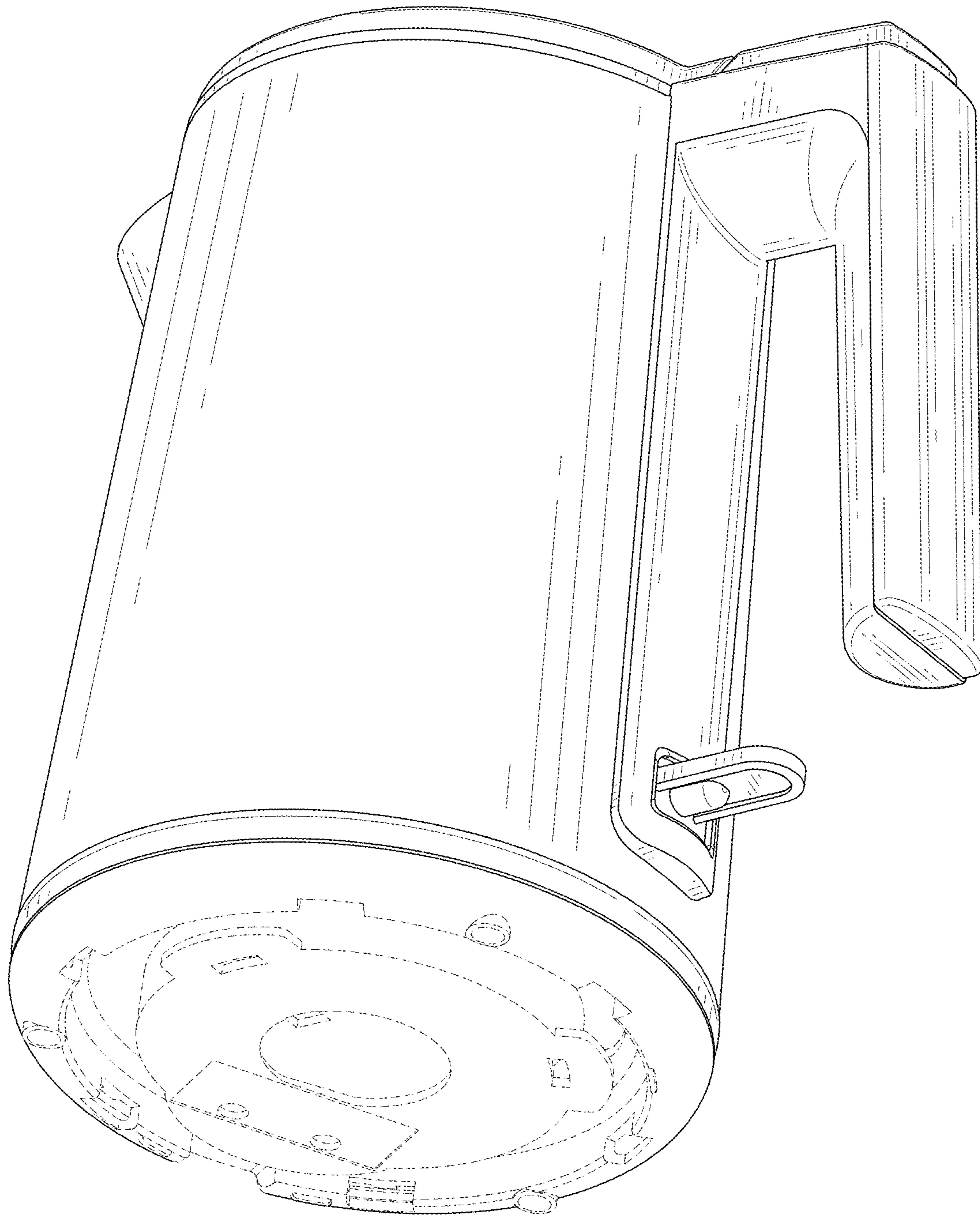


FIG. 2

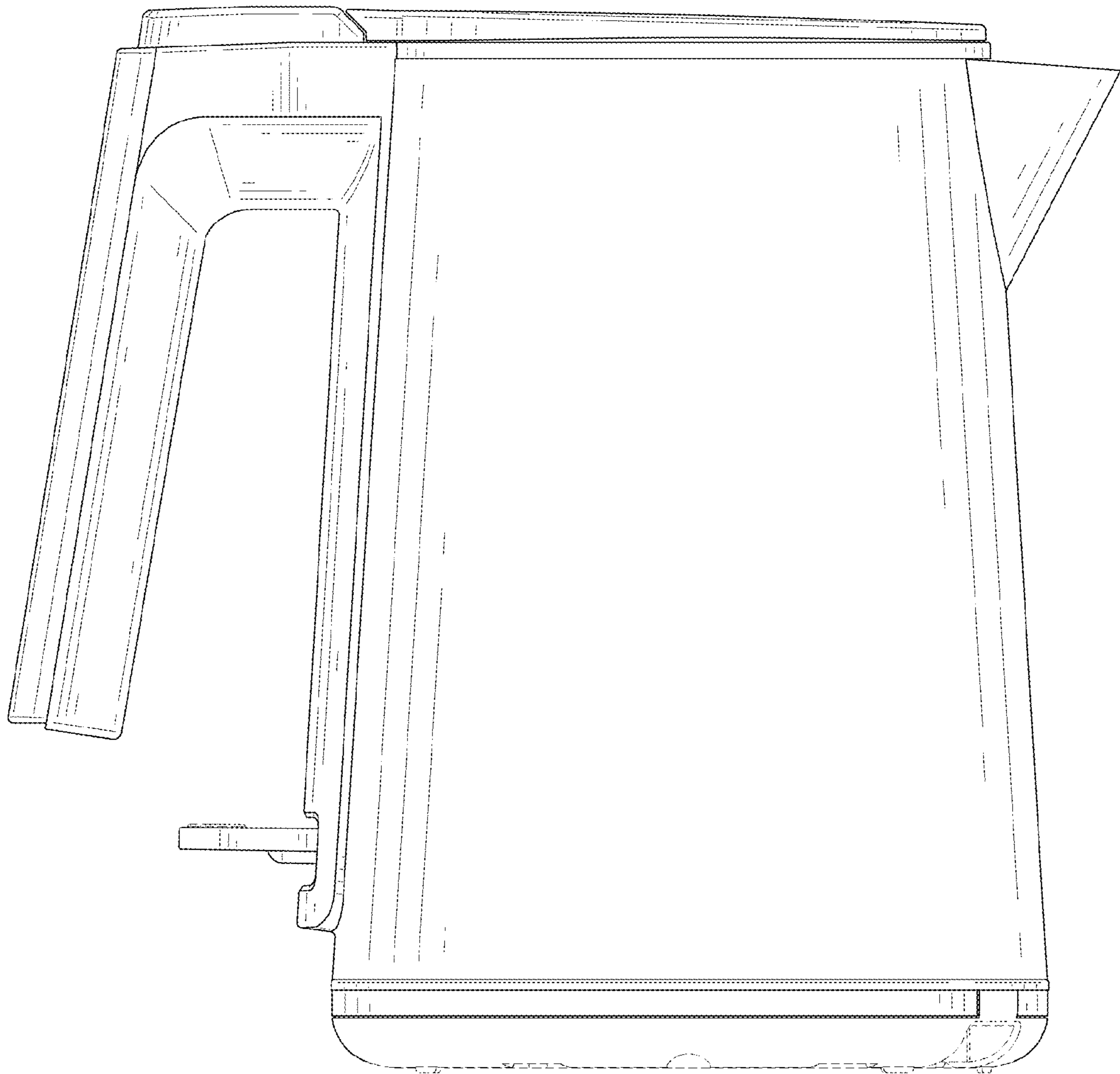


FIG. 3

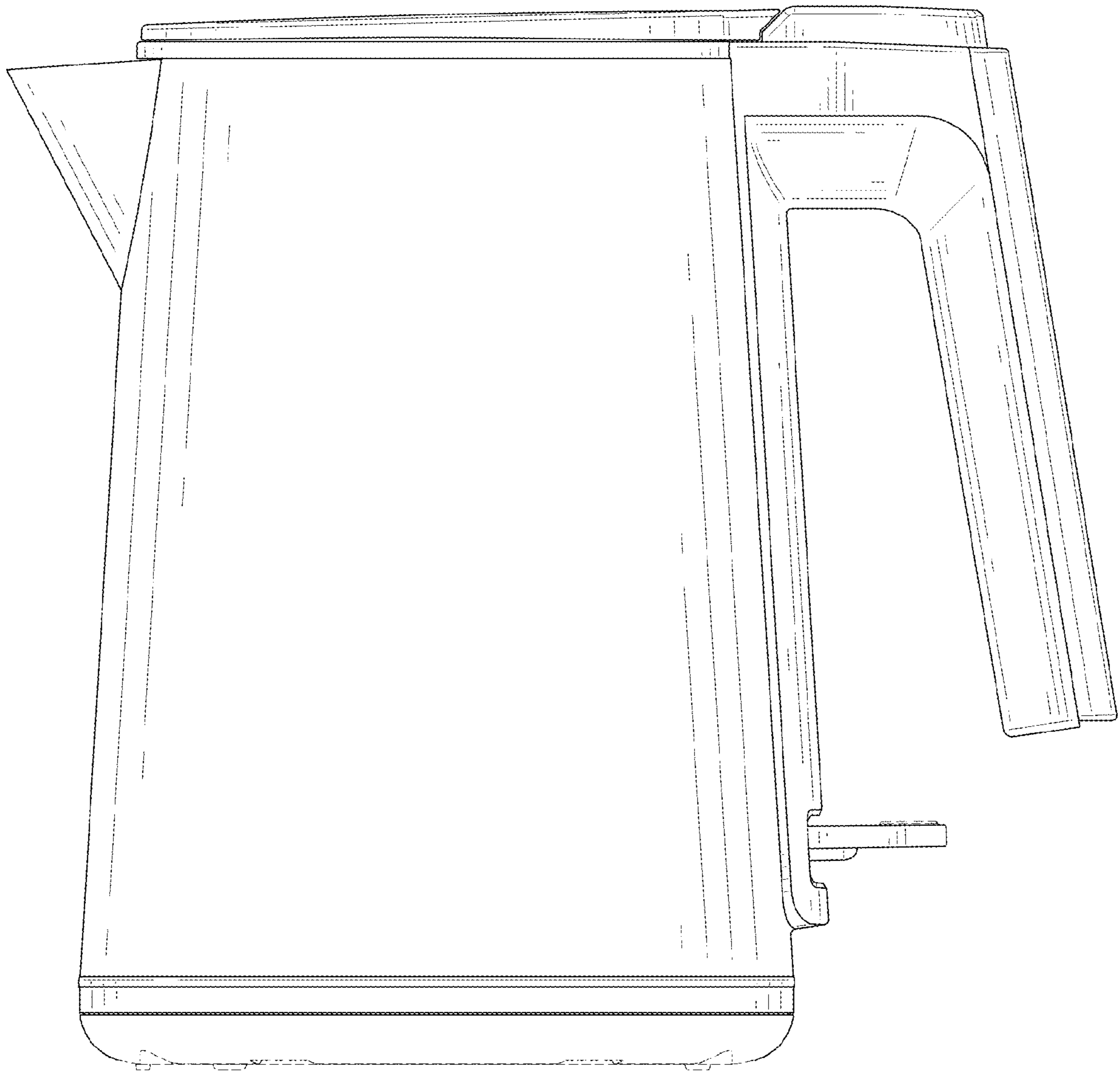


FIG. 4

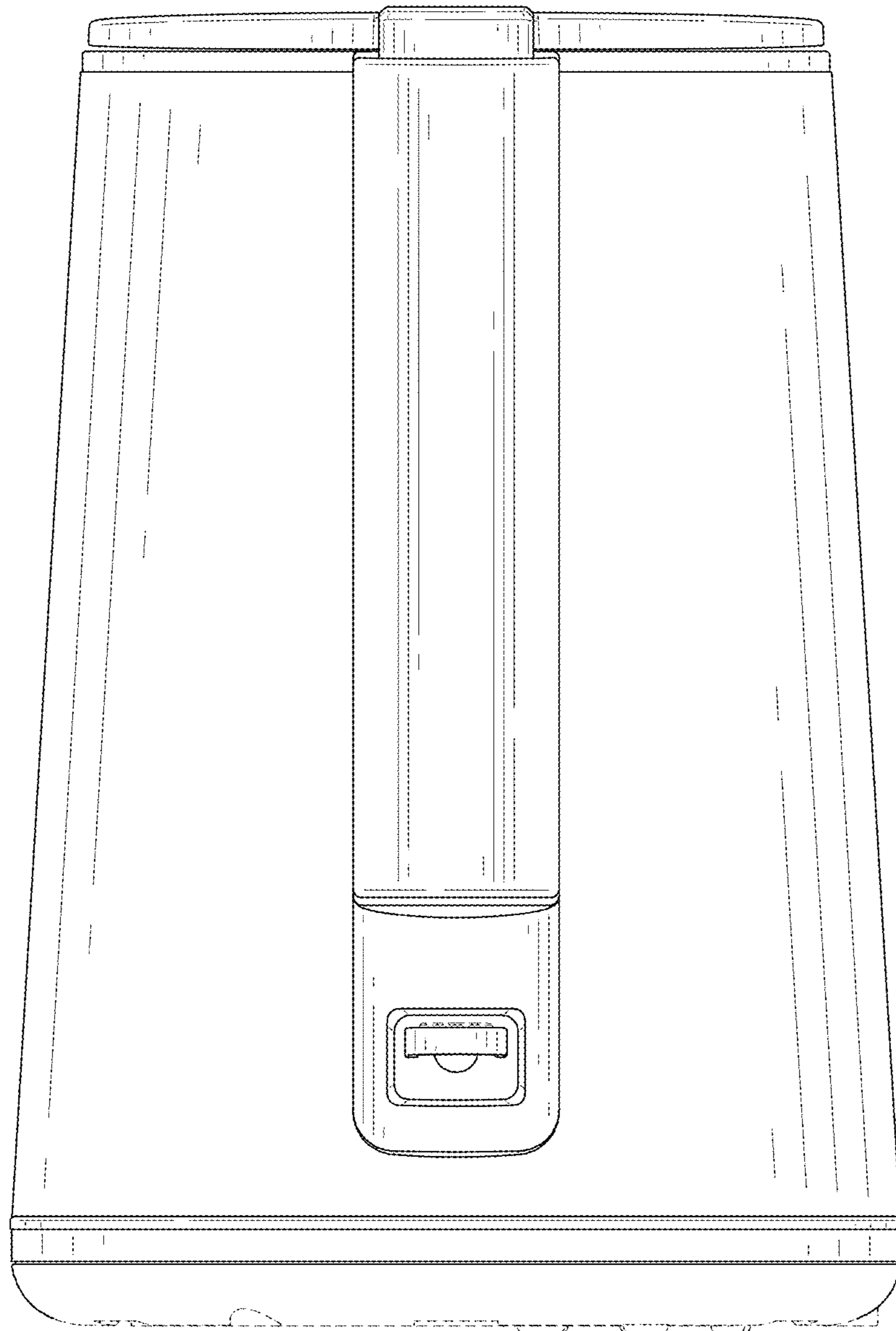


FIG. 5

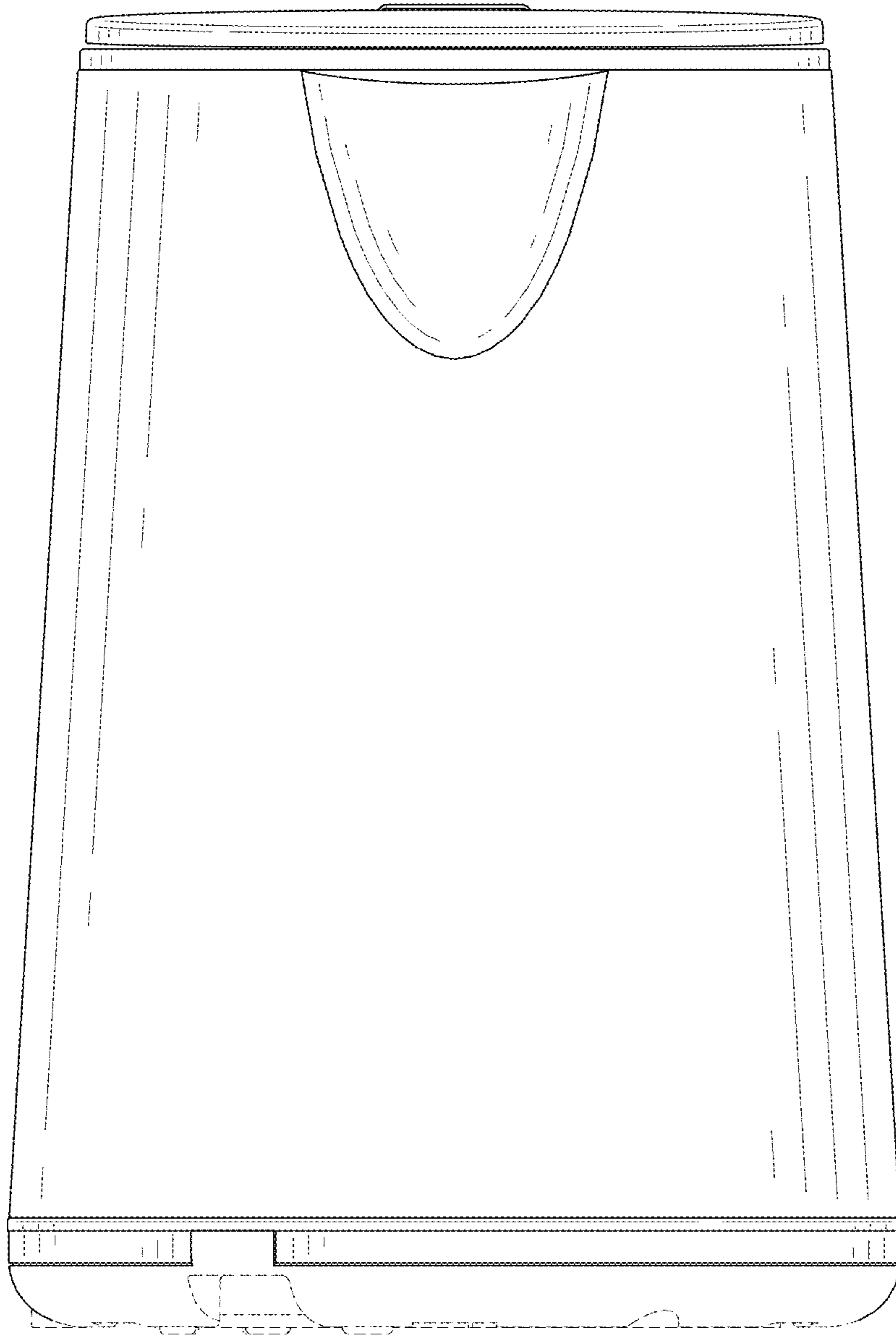


FIG. 6

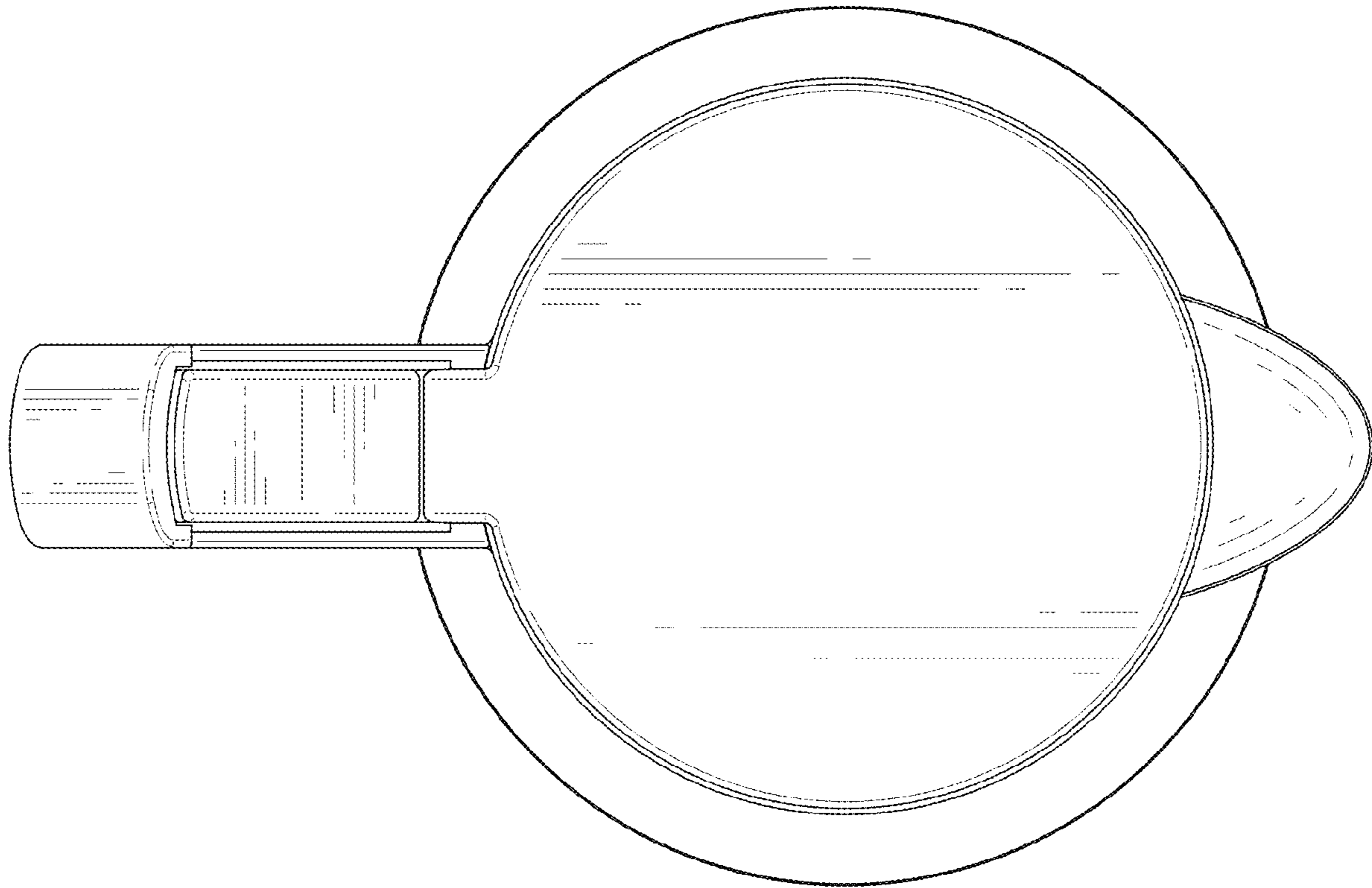


FIG. 7

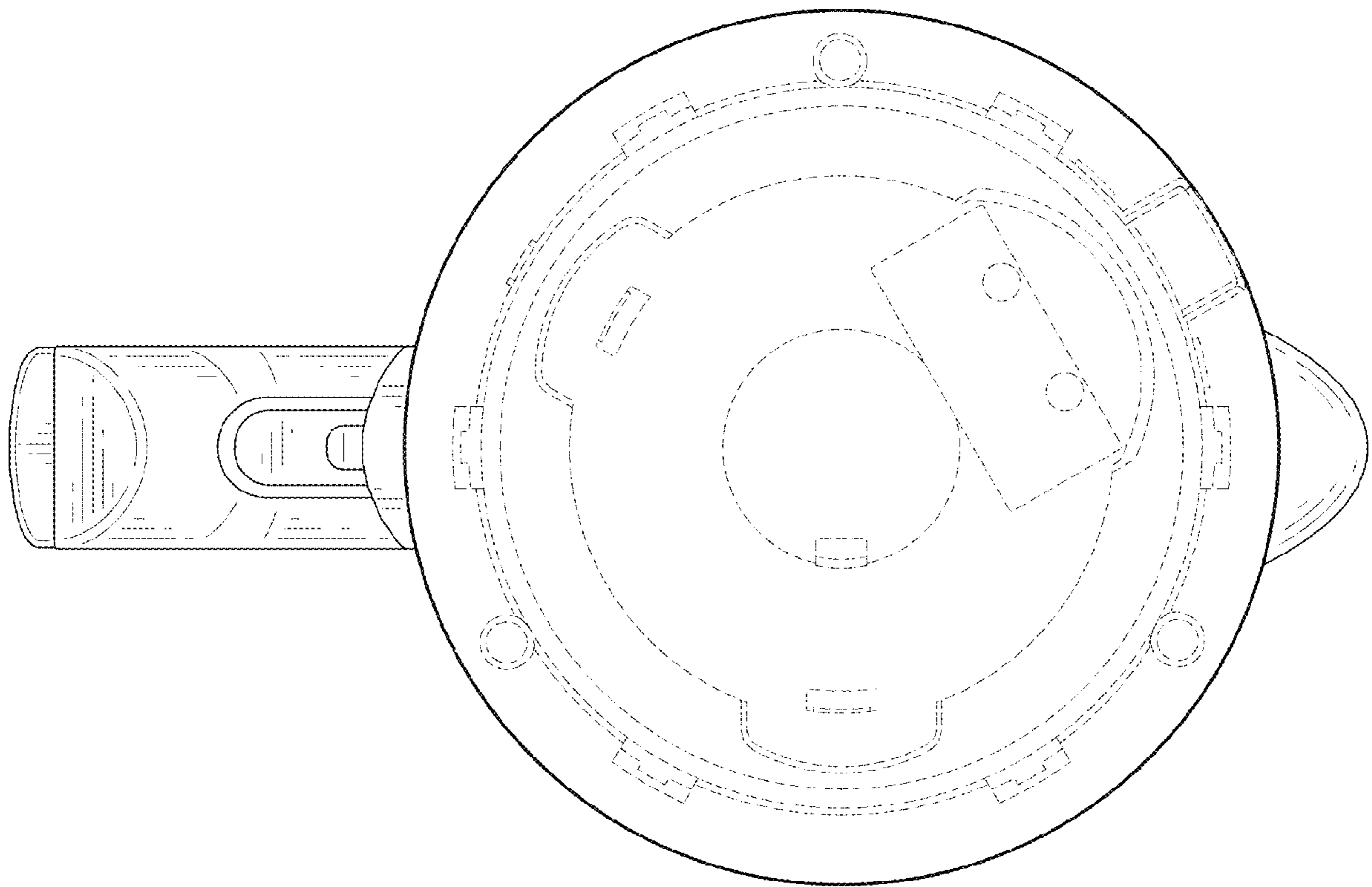


FIG. 8