



US00D878847S

(12) **United States Design Patent** (10) **Patent No.:** **US D878,847 S**
Gross et al. (45) **Date of Patent:** **** Mar. 24, 2020**

(54) **NUT MILK MAKER**
(71) Applicant: **Eternal East (HK) Ltd.**, Hong Kong (CN)
(72) Inventors: **Charles Brian Gross**, Cheyenne, WY (US); **Nile Robert Fedewa**, Ft Collins, CO (US)

D734,979 S 7/2015 Sanguinetti
D739,679 S 9/2015 Benoit et al.
D740,621 S 10/2015 Fouquet
D748,428 S 2/2016 Yuan
D749,893 S 2/2016 Bazzicalupo et al.
D758,787 S 6/2016 Ou
(Continued)

(73) Assignee: **ETERNAL EAST (HK) LTD.**, Hong Kong (CN)

FOREIGN PATENT DOCUMENTS

CN 2013309897 7/2014

(**) Term: **15 Years**

OTHER PUBLICATIONS

(21) Appl. No.: **29/616,513**

Owner's manual dated 2006 for Soyabella Model SB-130 automatic soymilk maker and coffee grinder made by Tribest Corporation. 10 pages.

(22) Filed: **Sep. 6, 2017**

(Continued)

(51) **LOC (12) Cl.** **07-01**

(52) **U.S. Cl.**

USPC **D7/313; D7/378**

(58) **Field of Classification Search**

USPC D7/306-309, 368, 372-373, 376-386, D7/391, 397, 412-415, 507, 602, 607, D7/629, 665-666, 669, 679, 688, D7/693-694

CPC A47J 43/04; A47J 43/044; A47J 43/046; A47J 43/0772; A21C 1/02; B01F 3/0853

See application file for complete search history.

Primary Examiner — Derrick E Holland

Assistant Examiner — Andrew Kerr

(74) *Attorney, Agent, or Firm* — Polson Intellectual Property Law, PC; Margaret Polson; Christopher Sylvain

(57)

CLAIM

The ornamental design for a nut milk maker, as shown and described.

DESCRIPTION

(56) **References Cited**

U.S. PATENT DOCUMENTS

D421,201 S 2/2000 Crescenzi et al.
D466,363 S 12/2002 Dalton et al.
D488,344 S 4/2004 Seum et al.
D560,093 S 1/2008 Verdun
D625,142 S 10/2010 Moore
D625,143 S 10/2010 Moore et al.
D625,144 S 10/2010 Moore et al.
D682,607 S 5/2013 Garman et al.
D683,578 S 6/2013 Nordwall
D702,993 S 4/2014 Lownds
D711,682 S 8/2014 Norland et al.
D731,234 S 6/2015 Weaden et al.

FIG. 1 is a front perspective view of my new design for a nut milk maker.

FIG. 2 is a front side elevation view of FIG. 1.

FIG. 3 is a back side elevation view of FIG. 1.

FIG. 4 is a left side elevation view of FIG. 1.

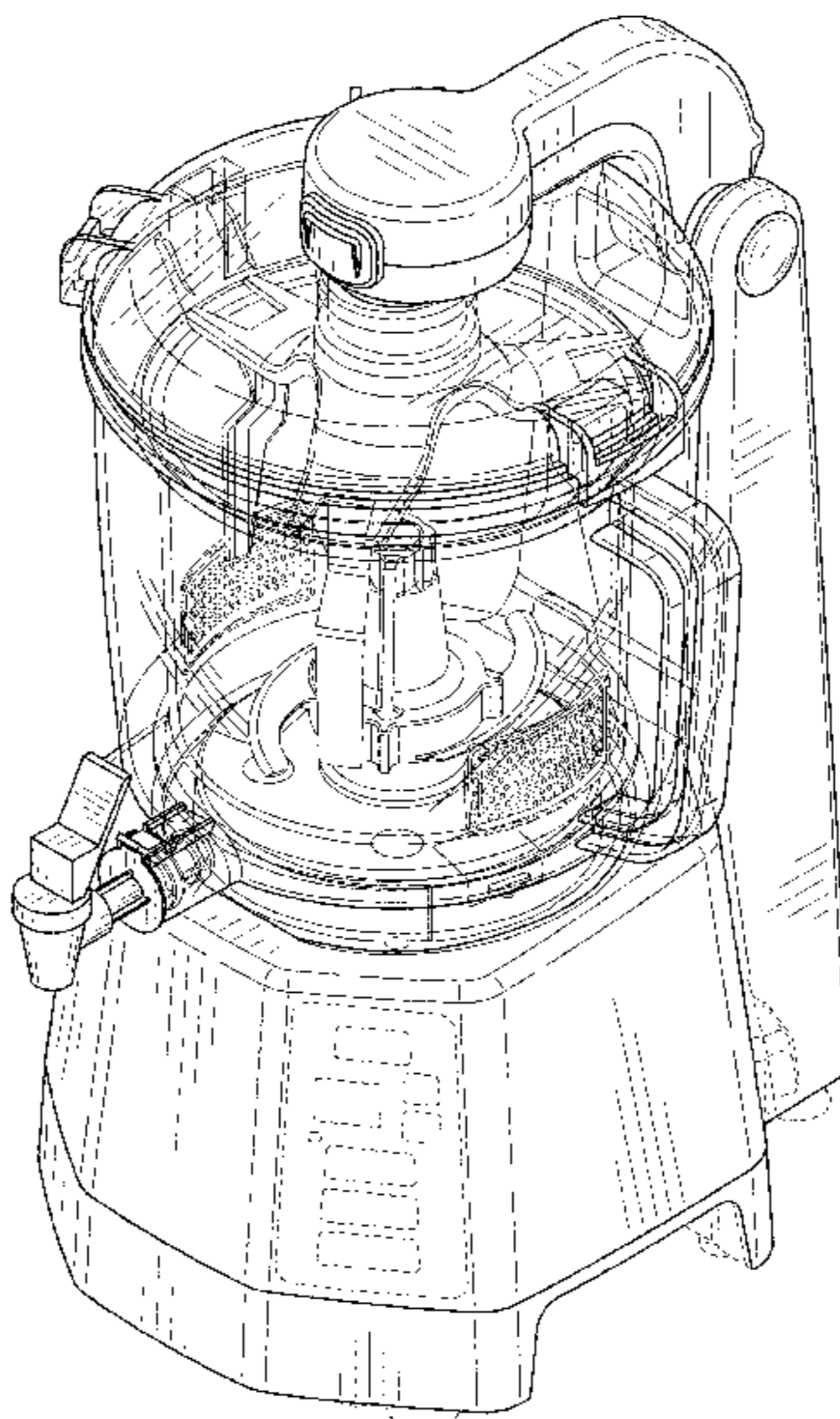
FIG. 5 is a right side elevation view of FIG. 1.

FIG. 6 is a top plan view of FIG. 1; and,

FIG. 7 is a bottom plan view of FIG. 1.

The broken lines showing portions of the nut milk maker are for the purpose of illustrating environmental structure and form no part of the claimed design.

1 Claim, 7 Drawing Sheets



(56)

References Cited

U.S. PATENT DOCUMENTS

D760,552	S	7/2016	Kim et al.	
D761,617	S *	7/2016	Dennisur	D7/376
D764,241	S	8/2016	Lee	
D764,863	S	8/2016	Lee et al.	
D784,761	S *	4/2017	Tu	D7/376
D786,614	S	5/2017	Smith et al.	
D796,896	S	9/2017	Blaise	
D798,101	S *	9/2017	Rose	D7/376
D799,891	S *	10/2017	Lecoutre	D7/378
D807,700	S *	1/2018	Tu	D7/413
D809,342	S	2/2018	Coakley	
D812,416	S	3/2018	Carlson	
D815,887	S *	4/2018	Huang	D7/378
2006/0018189	A1 *	1/2006	Chang Chien	A47J 43/0727 366/205
2017/0303744	A1 *	10/2017	Sutton	A47J 43/0772
2018/0014695	A1	1/2018	Gross et al.	

OTHER PUBLICATIONS

User manual dated 2013 for Oster Designed For Life blenders made by Sunbeam Products, Inc. pp. 1-19.

Instruction and Recipe Booklet dated 2015 for Premier Series 9-Cup Food Processor, DLC-2009M Series, made by Cuisinart. 73 pages. Owner's manual dated Mar. 20, 2012 for Hamilton Beach Food Processor. pp. 1-12.
 Owner's Guide dated Dec. 12, 2006 for Ninja Mega Kitchen System BL770 series sold by Euro-Pro Operating LLC. 24 pages. Owner's Guide dated Jun. 27, 2012 for Ninja Mega Kitchen System BL772 sold by Euro-Pro Operating LLC. 24 pages.
 Owner's manual dated Jan. 18, 2014 for Hamilton Beach Blender. pp. 1-12.
 Instruction and Recipe Booklet dated Apr. 29, 2015 for Peanut Butter Maker model NBM400 made by Nostalgia Products. pp. 1-12.
 Instruction and Recipe Booklet dated May 2, 2016 for Professional Peanut Butter Maker model PBM500 made by Nostalgia Products. pp. 1-13.
 Pending design U.S. Appl. No. 29/596,849, filed Mar. 10, 2017.
 Article "Nut of Course: Non-Dairy Milk Machine Off to the Races", Barista Magazine Online, Mar. 30, 2017. <https://www.baristamagazine.com/nut-milk-machine-brewista/>.

* cited by examiner

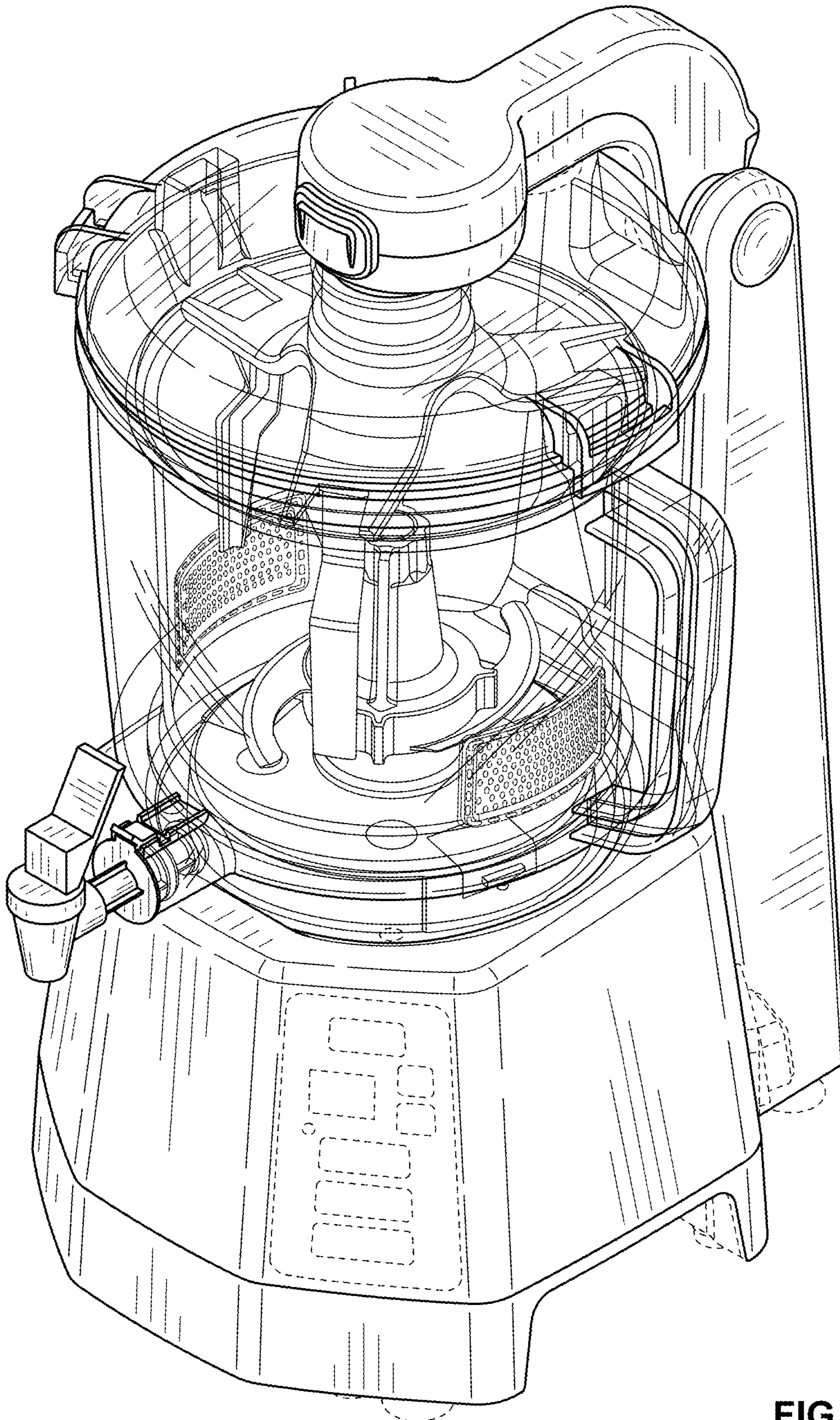


FIG. 1

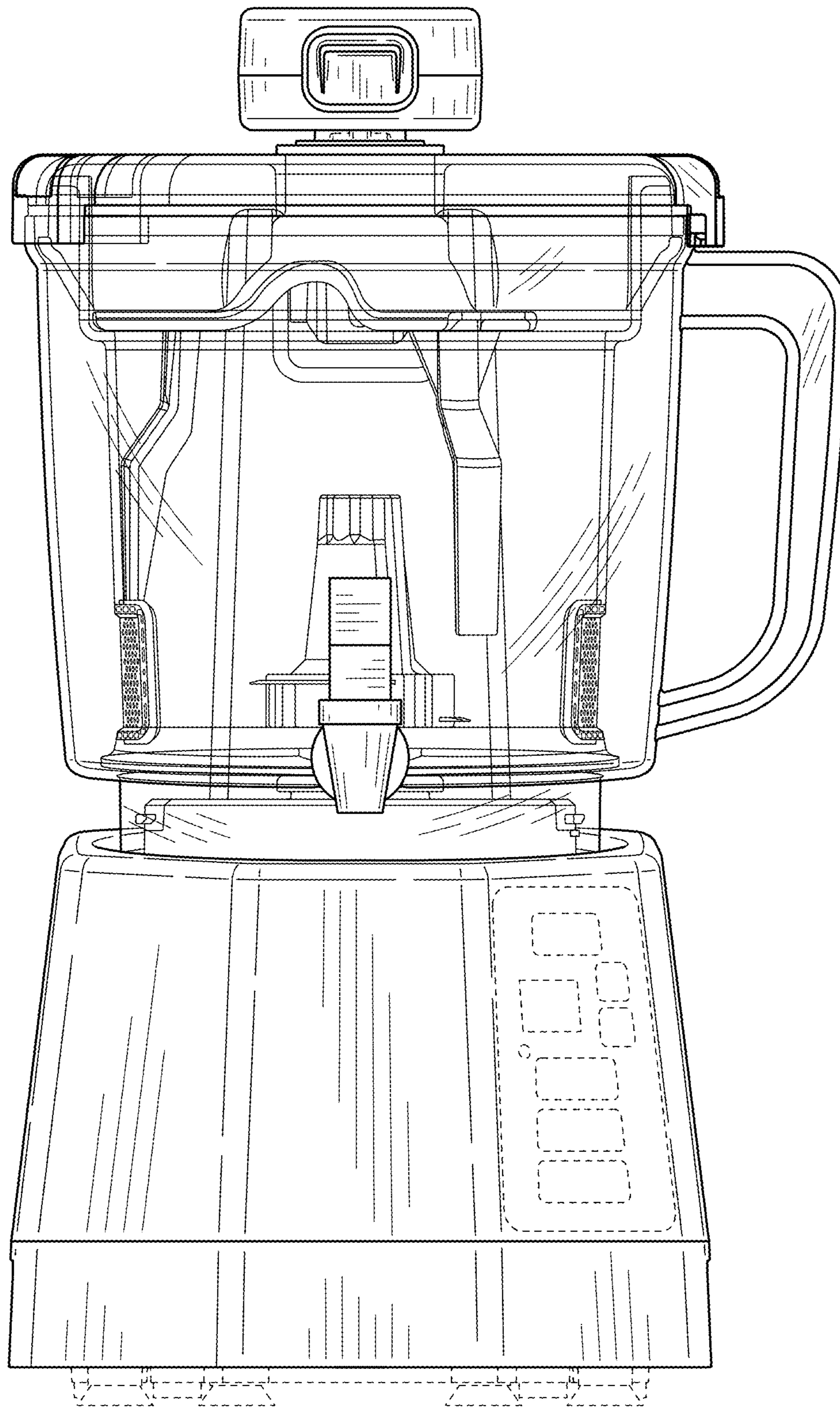


FIG. 2

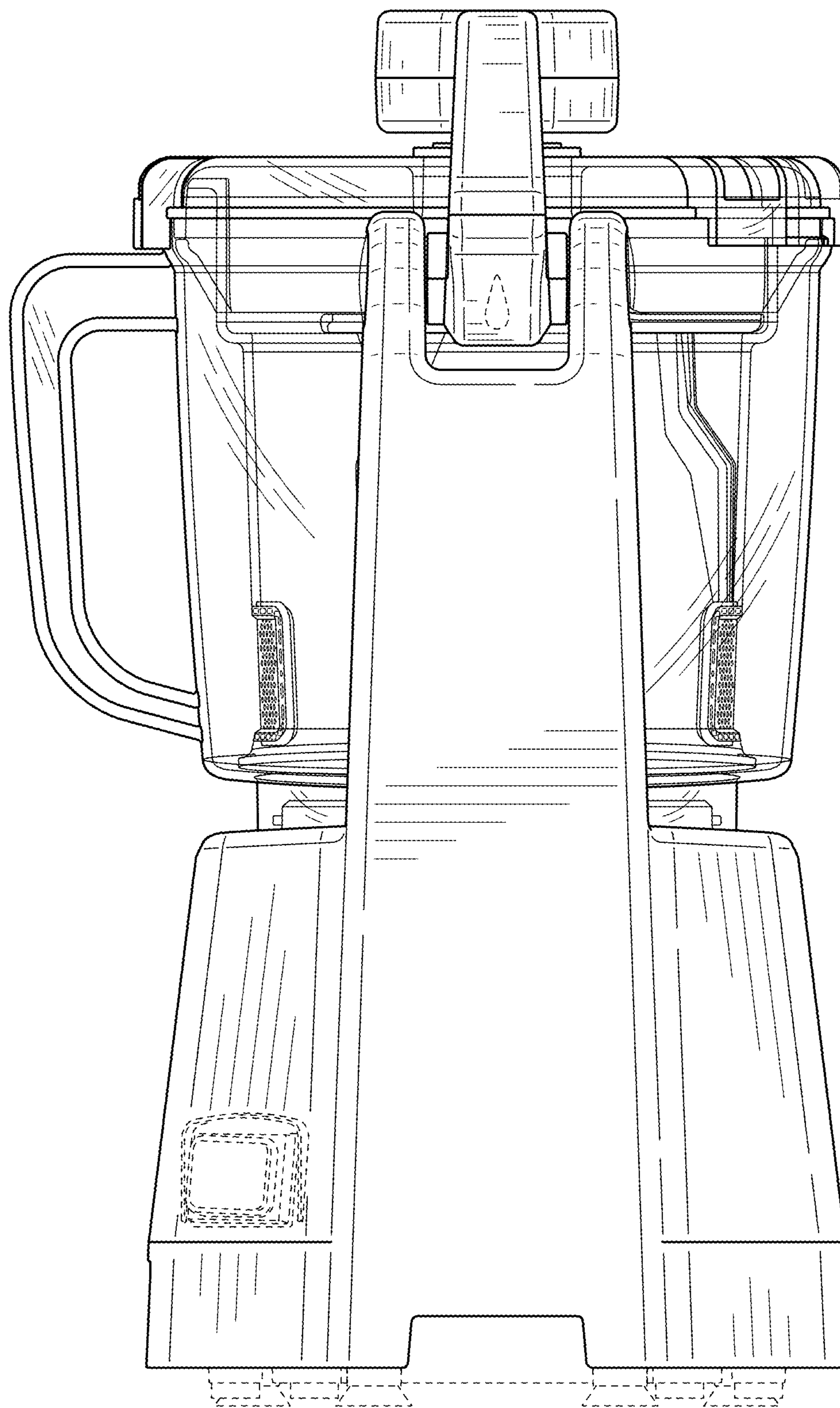


FIG. 3

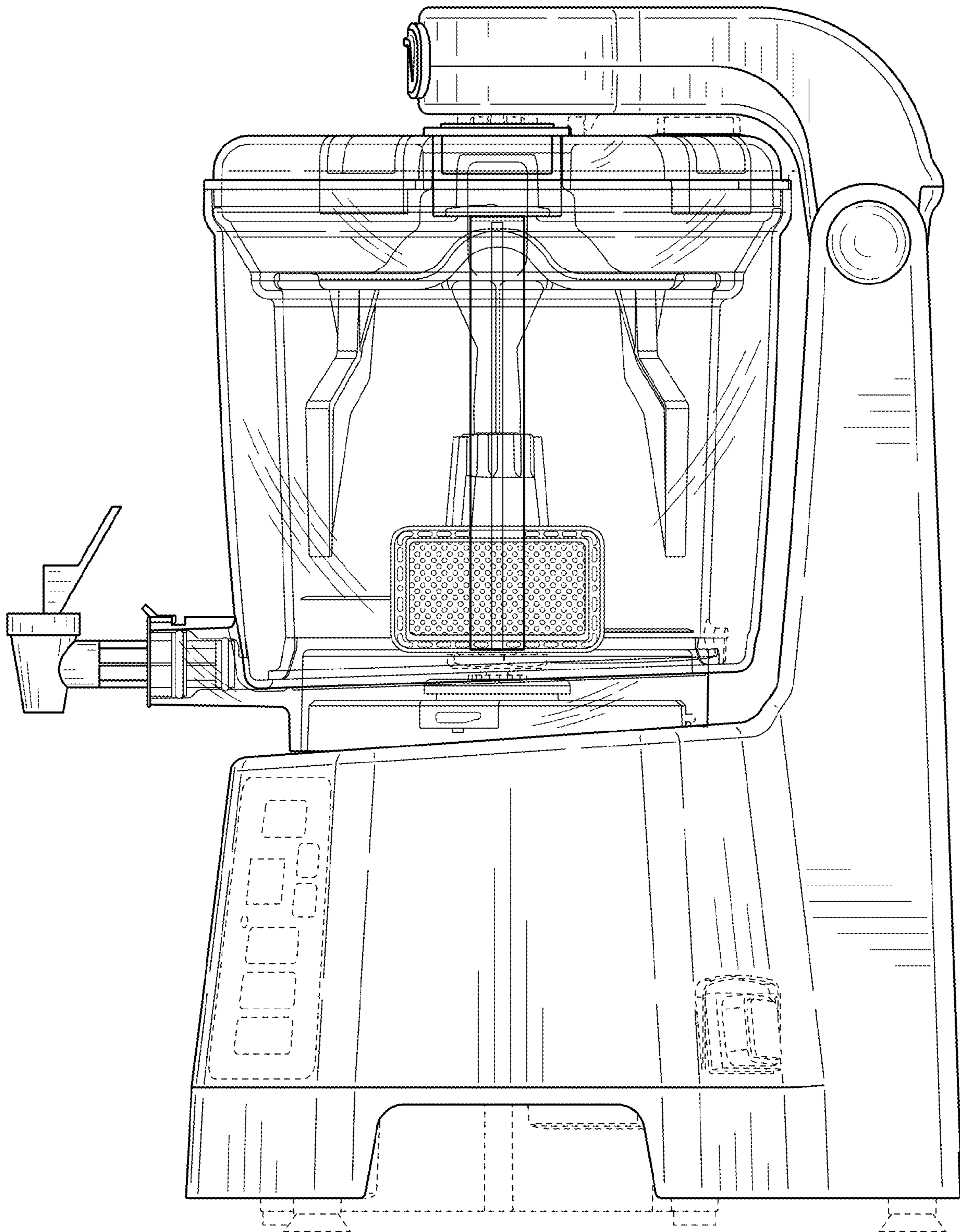


FIG. 4

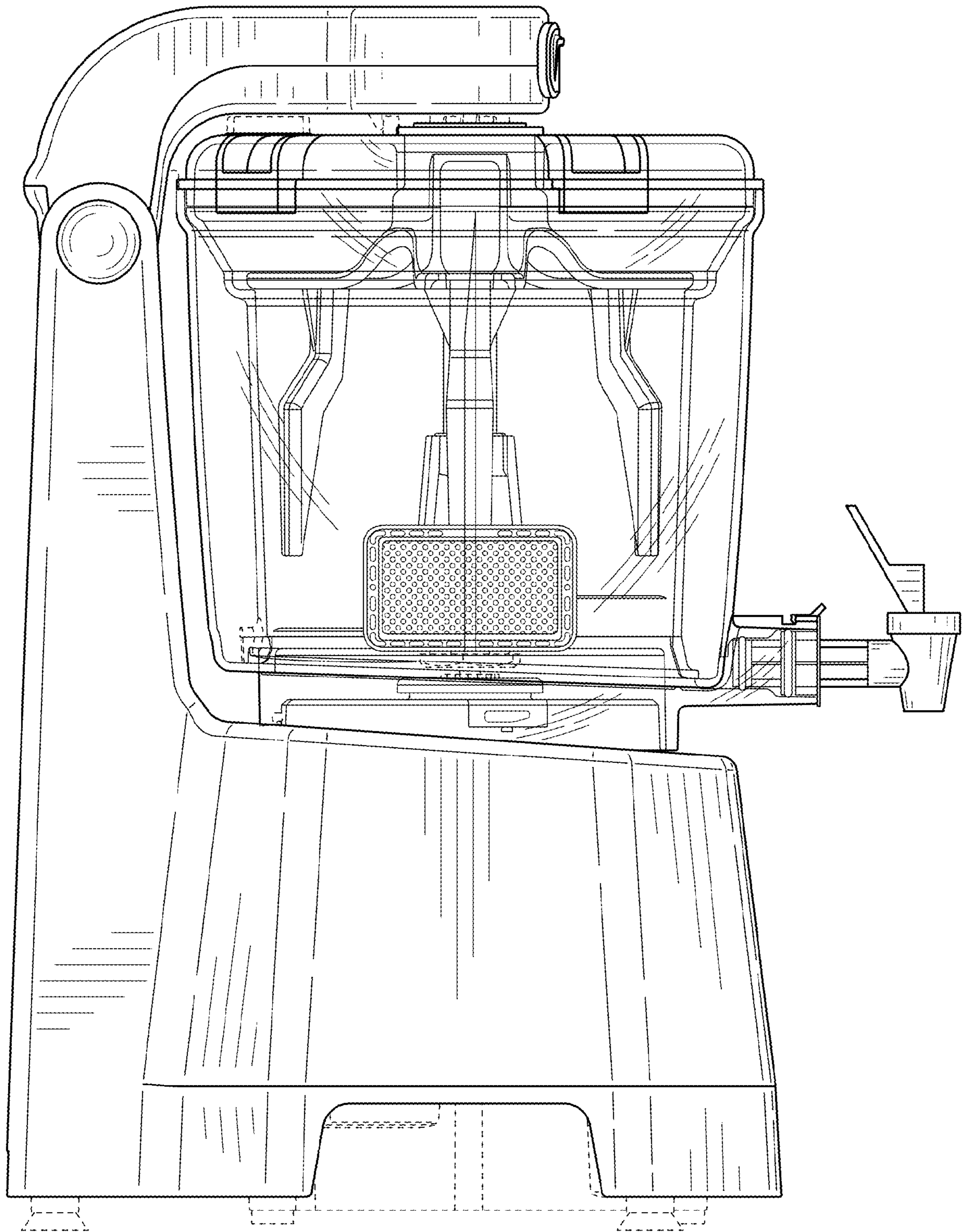


FIG. 5

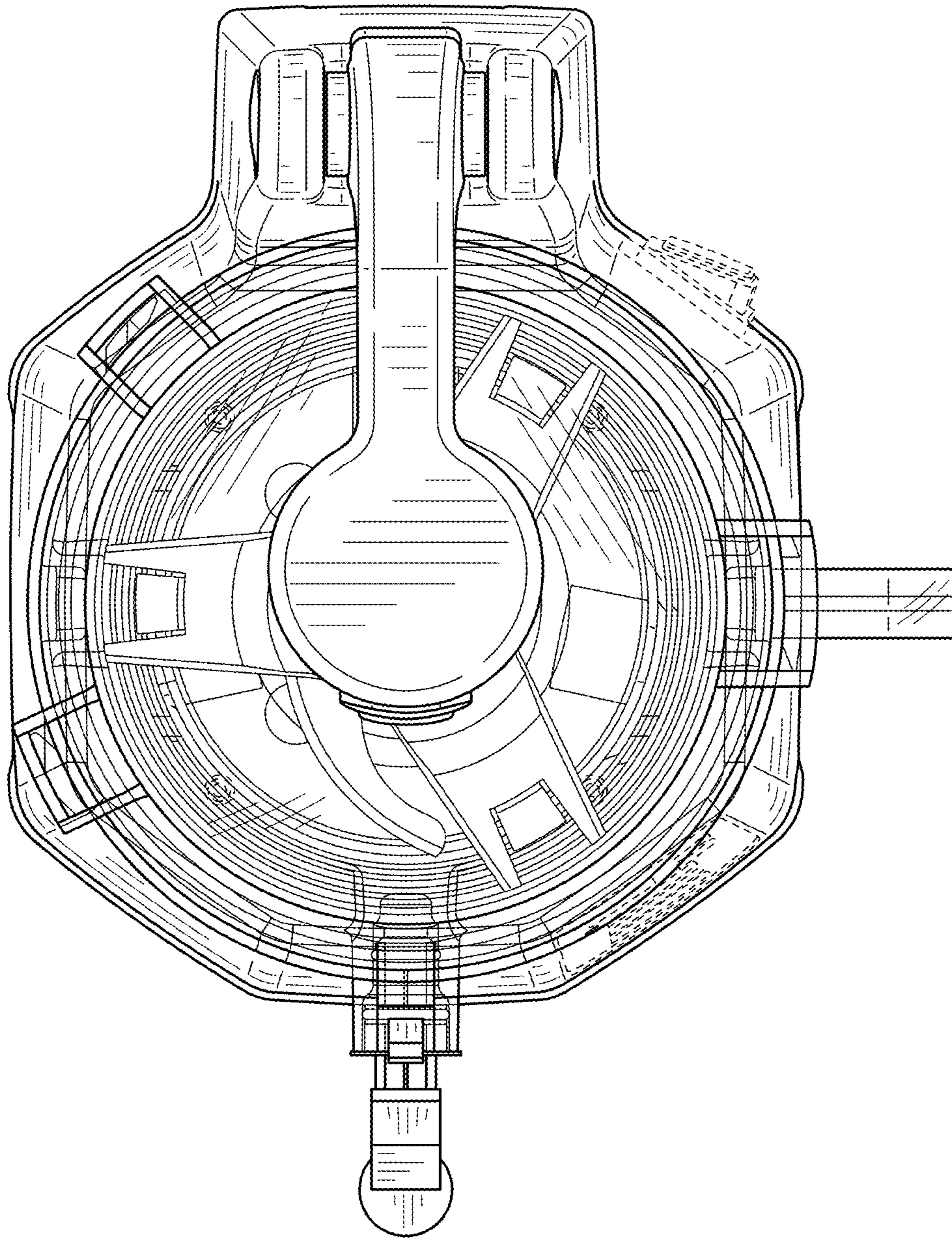


FIG. 6

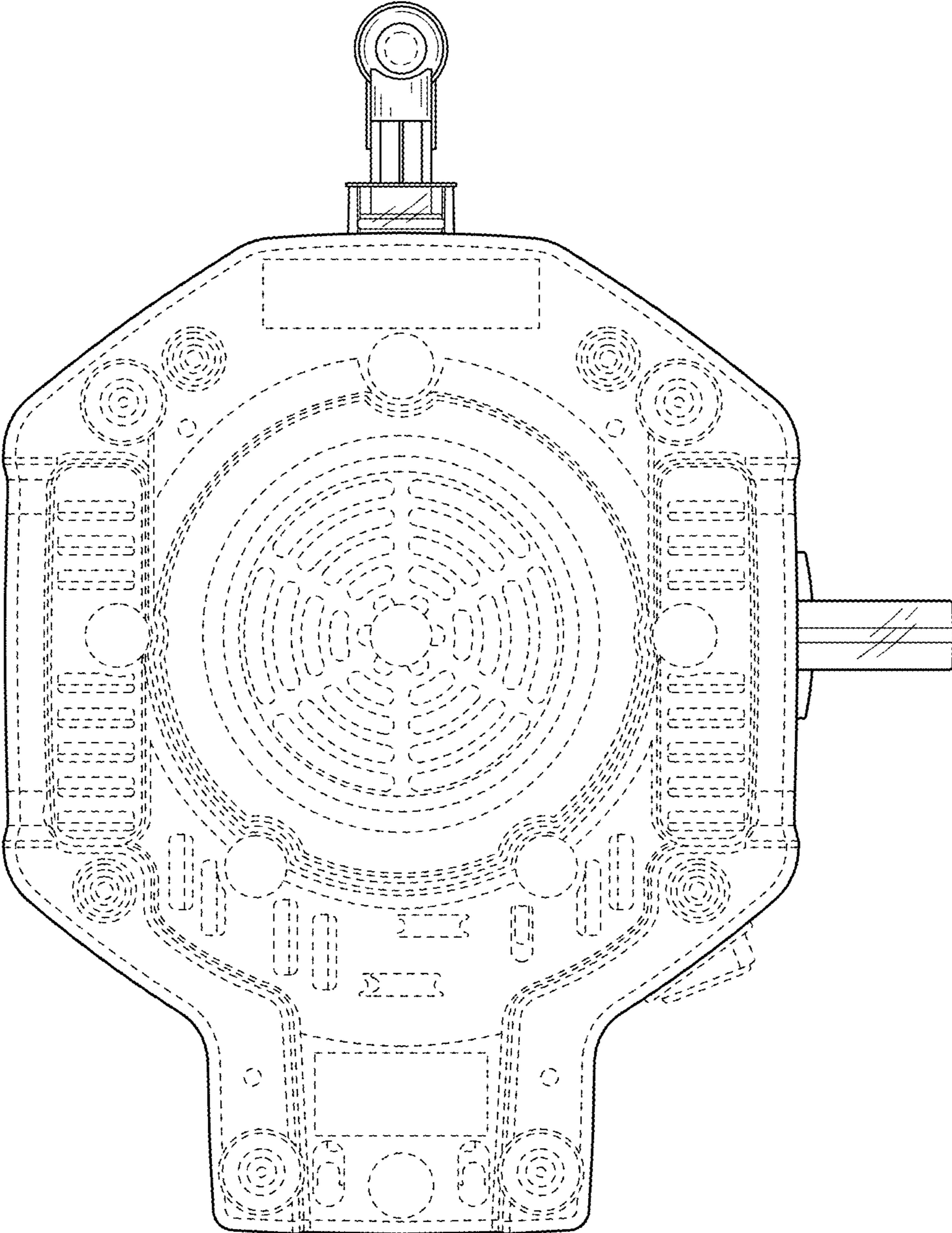


FIG. 7