



US00D878846S

(12) **United States Design Patent**
Kestenbaum

(10) **Patent No.:** **US D878,846 S**
(45) **Date of Patent:** **** Mar. 24, 2020**

(54) **COFFEE MAKER AND COMPONENTS THEREOF**

(71) Applicant: **SharkNinja Operating LLC**,
Needham, MA (US)

(72) Inventor: **Daniel Kestenbaum**, Brookline, MA
(US)

(73) Assignee: **SHARKNINJA OPERATING LLC**,
Needham, MA (US)

(**) Term: **15 Years**

(21) Appl. No.: **29/653,379**

(22) Filed: **Jun. 14, 2018**

Related U.S. Application Data

(62) Division of application No. 29/564,780, filed on May 16, 2016, now Pat. No. Des. 823,036.

(51) **LOC (12) Cl.** **07-01**

(52) **U.S. Cl.**

USPC **D7/309**; D7/311; D7/399

(58) **Field of Classification Search**

USPC D7/305-311, 313; D15/82; 222/129.1,
222/146.6; 99/295

CPC A47J 31/44; A47J 31/4403; A47J 31/46;
A47J 31/4482; A47J 31/369; A47J
31/407; A47J 31/10; A47J 31/467; A47J
31/0615; B67D 1/36; B67D 2210/0065;
B67D 1/0864; B67D 3/0061

See application file for complete search history.

(56) **References Cited**

U.S. PATENT DOCUMENTS

D213,577 S 3/1969 Douglas
D225,365 S 12/1972 Beckman
D245,058 S 7/1977 Hauenstein
4,058,338 A 11/1977 Brown

4,503,757 A * 3/1985 Daugherty A47J 31/4403
392/447
4,590,975 A * 5/1986 Credle, Jr. B67D 1/08
141/1
D296,408 S * 6/1988 Gaunt D7/308
D321,806 S * 11/1991 Chaney D7/308
(Continued)

OTHER PUBLICATIONS

Application for Registration of an Industrial Design Examiner's Report; Canadian Application No. 171623; dated Nov. 14, 2017; 2 Pages.

(Continued)

Primary Examiner — Marianne N Pandozzi

(74) *Attorney, Agent, or Firm* — Cantor Colburn LLP

(57) **CLAIM**

The ornamental design for coffee maker and components thereof, as shown and described.

DESCRIPTION

FIG. 1 is a perspective view of a coffee maker and components thereof, showing my new design;

FIG. 2 is a front view of the embodiment shown in FIG. 1;

FIG. 3 is a rear view of the embodiment shown in FIG. 1;

FIG. 4 is side view of the embodiment shown in FIG. 1;

FIG. 5 is another side view of the embodiment shown in FIG. 1;

FIG. 6 is a top view of the embodiment shown in FIG. 1;

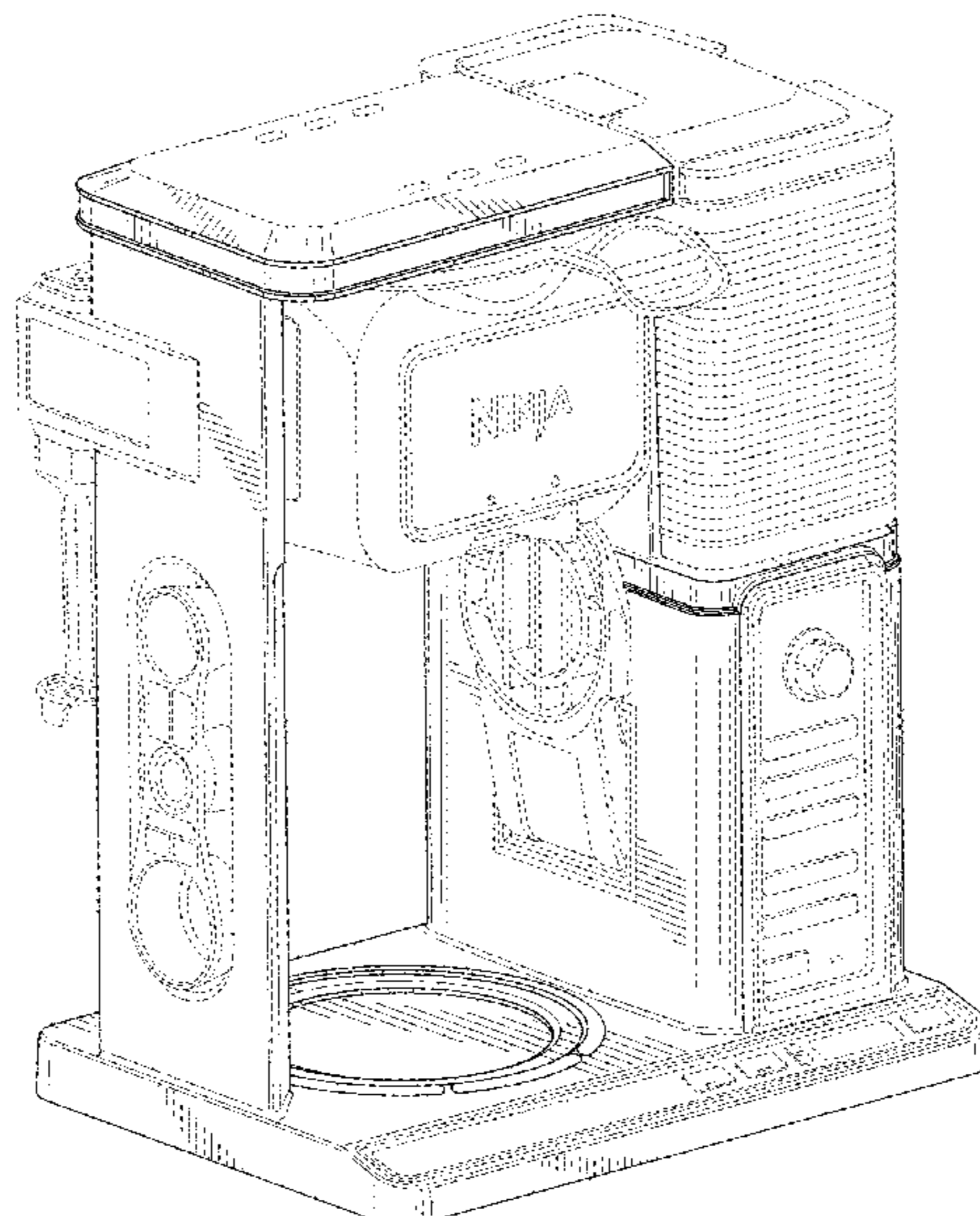
FIG. 7 is a bottom view of the embodiment shown in FIG. 1;

FIG. 8 is another perspective view of the embodiment shown in FIG. 1; and,

FIG. 9 is yet another perspective view of the embodiment shown in FIG. 1.

The broken lines in the figures are for environmental purposes only and form no part of the claimed design.

1 Claim, 9 Drawing Sheets



(56)

References Cited

U.S. PATENT DOCUMENTS

D324,319 S * 3/1992 Faerber D7/308
 D490,639 S * 6/2004 Kling
 D558,507 S * 1/2008 Picozza et al.
 D562,052 S * 2/2008 De Pra' D7/309
 D581,717 S * 12/2008 Parker D7/309
 D584,912 S * 1/2009 Green et al.
 D585,691 S * 2/2009 Bonin D7/309
 D598,693 S * 8/2009 Kindler D7/306
 D598,695 S * 8/2009 Currie D7/309
 D648,973 S * 11/2011 De' Longhi D7/309
 D696,890 S * 1/2014 Poniedzialek D7/309
 D713,668 S * 9/2014 Metaxatos D7/309
 D727,084 S * 4/2015 Dorr D7/309
 D730,675 S * 6/2015 Williams et al.
 D733,481 S * 7/2015 Rousselin D7/306
 D742,159 S * 11/2015 Doria D7/309
 D752,377 S * 3/2016 Maitland et al.
 D753,948 S * 4/2016 Kestenbaum
 D765,454 S * 9/2016 Romandy D7/309
 D769,662 S * 10/2016 Palermo D7/306
 D770,831 S * 11/2016 Affatato D7/309
 D770,832 S * 11/2016 Affatato D7/309
 D771,992 S * 11/2016 Yang D7/306
 D778,098 S * 2/2017 Horimoto D7/306
 D782,242 S * 3/2017 Lee D7/306
 D787,251 S * 5/2017 Kestenbaum
 D789,725 S * 6/2017 Kestenbaum
 D792,731 S * 7/2017 Palermo D7/306
 D802,978 S * 11/2017 Kestenbaum
 D814,222 S * 4/2018 Bronwasser
 D815,904 S * 4/2018 Lane
 D834,870 S * 12/2018 Steiner D7/309
 2015/0190011 A1 * 7/2015 Minard B67D 1/0041
 426/231
 2019/0045968 A1 * 2/2019 Hartmann A47J 31/44

OTHER PUBLICATIONS

Application for Registration of an Industrial Design Examiner's Report; Canadian Application No. 171623; dated Feb. 17, 2017; 1 Page.
 Application for Registration of an Industrial Design Examiner's Report; Canadian Application No. 171623; dated Jul. 25, 2017; 1 Page.
 Decision to Dismiss the Amendment; Korean Application No. 30-2016-0053885; dated Jul. 6, 2017; 5 Pages.
 Non-Final Office Action; U.S. Appl. No. 29/564,778, filed May 16, 2016; Carafe; dated Mar. 10, 2017; 9 Pages.
 Non-Final Office Action; U.S. Appl. No. 29/622,046, filed Oct. 13, 2017; Carafe; dated Jun. 5, 2018; 20 Pages.
 Notice of Allowance; Japanese Design Application No. 2016-024849; dated Mar. 31, 2017; 2 Pages.
 Notice of Allowance; Japanese Design Application No. 2016-024850; dated Mar. 31, 2017; 2 Pages.

Notice of Allowance; Japanese Design Application No. 2016-024851; dated Mar. 31, 2017; 2 Pages.
 Notice of Allowance; Japanese Design Application No. 2016-024852; dated Mar. 31, 2017; 2 Pages.
 Notice of Allowance; Japanese Design Application No. 2016-024853; dated Mar. 31, 2017; 2 Pages.
 Notice of Allowance; Japanese Design Application No. 2016-024854; dated Mar. 31, 2017; 2 Pages.
 Notice of Allowance; Japanese Design Application No. 2016-024855; dated Mar. 31, 2017; 2 Pages.
 Notice of Allowance; U.S. Appl. No. 29/564,776, filed May 16, 2016; Coffee Maker; dated Mar. 21, 2018; 11 Pages.
 Notice of Allowance; U.S. Appl. No. 29/564,778, filed May 16, 2016; Carafe; dated Jul. 13, 2017; 10 Pages.
 Notice of Allowance; U.S. Appl. No. 29/564,780, filed May 16, 2016; Coffee Maker; dated Mar. 21, 2018; 11 Pages.
 Notice of Completion of Formalities for Patent Register and Notice of Grant of Design Patent Right; Chinese Application No. 2016305567649; dated Jan. 19, 2017; 5 Pages.
 Notice of Completion of Formalities for Patent Register and Notice of Grant of Design Patent Right; Chinese Application No. 2016305570459; dated Jan. 19, 2017; 5 Pages.
 Notice of Completion of Formalities for Patent Register and Notice of Grant of Design Patent Right; Chinese Application No. 201630557068X; dated Jan. 19, 2017; 5 Pages.
 Notice of Completion of Formalities for Patent Register and Notice of Grant of Design Patent Right; Chinese Application No. 2016305573207; dated Jan. 17, 2017; 5 Pages.
 Notice of References; Japanese Design Application No. 2016-024849; dated Mar. 31, 2017; 2 Pages.
 Notice of References; Japanese Design Application No. 2016-024850; dated Mar. 31, 2017; 2 Pages.
 Preliminary Rejection; Korean Application No. 30-2016-0053875; dated Jul. 4, 2017; 3 Pages.
 Preliminary Rejection; Korean Application No. 30-2016-0053876; dated Oct. 14, 2017; 7 Pages.
 Preliminary Rejection; Korean Application No. 30-2016-0053877; dated Jul. 4, 2017; 4 Pages.
 Preliminary Rejection; Korean Application No. 30-2016-0053878; dated Jul. 4, 2017; 2 Pages.
 Preliminary Rejection; Korean Application No. 30-2016-0053879; dated Jul. 4, 2017; 5 Pages.
 Preliminary Rejection; Korean Application No. 30-2016-0053882; dated Jul. 4, 2017; 5 Pages.
 Preliminary Rejection; Korean Application No. 30-2016-0053885; dated Jul. 4, 2017; 5 Pages.
 Requirement for Restriction/Election; U.S. Appl. No. 29/564,776, filed May 16, 2016; Coffee Maker and Components Thereof; dated Dec. 7, 2017; 18 Pages.
 Requirement for Restriction/Election; U.S. Appl. No. 29/564,780, filed May 16, 2016; Coffee Maker and Components Thereof; dated Dec. 7, 2017; 18 Pages.

* cited by examiner

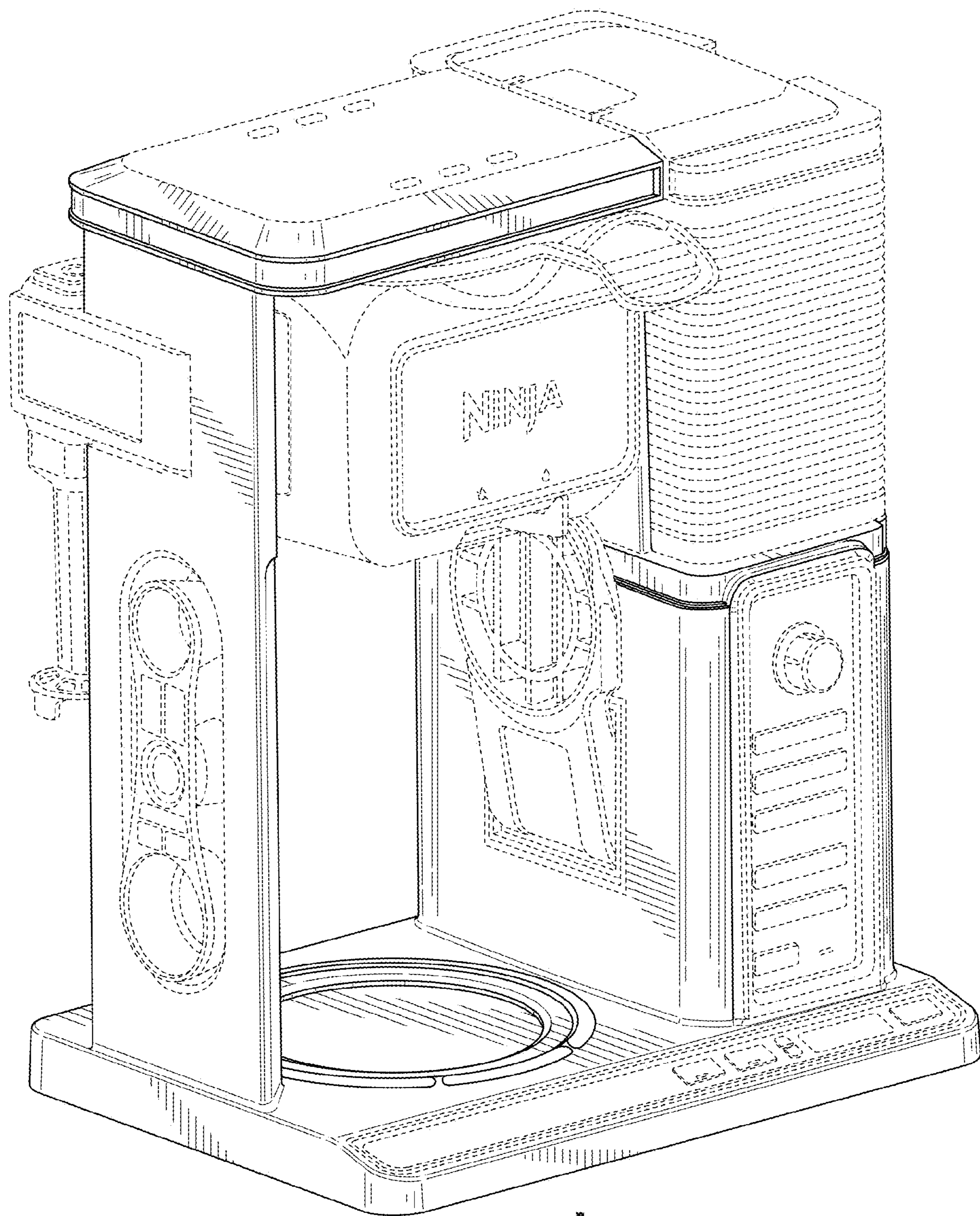


FIG. 1

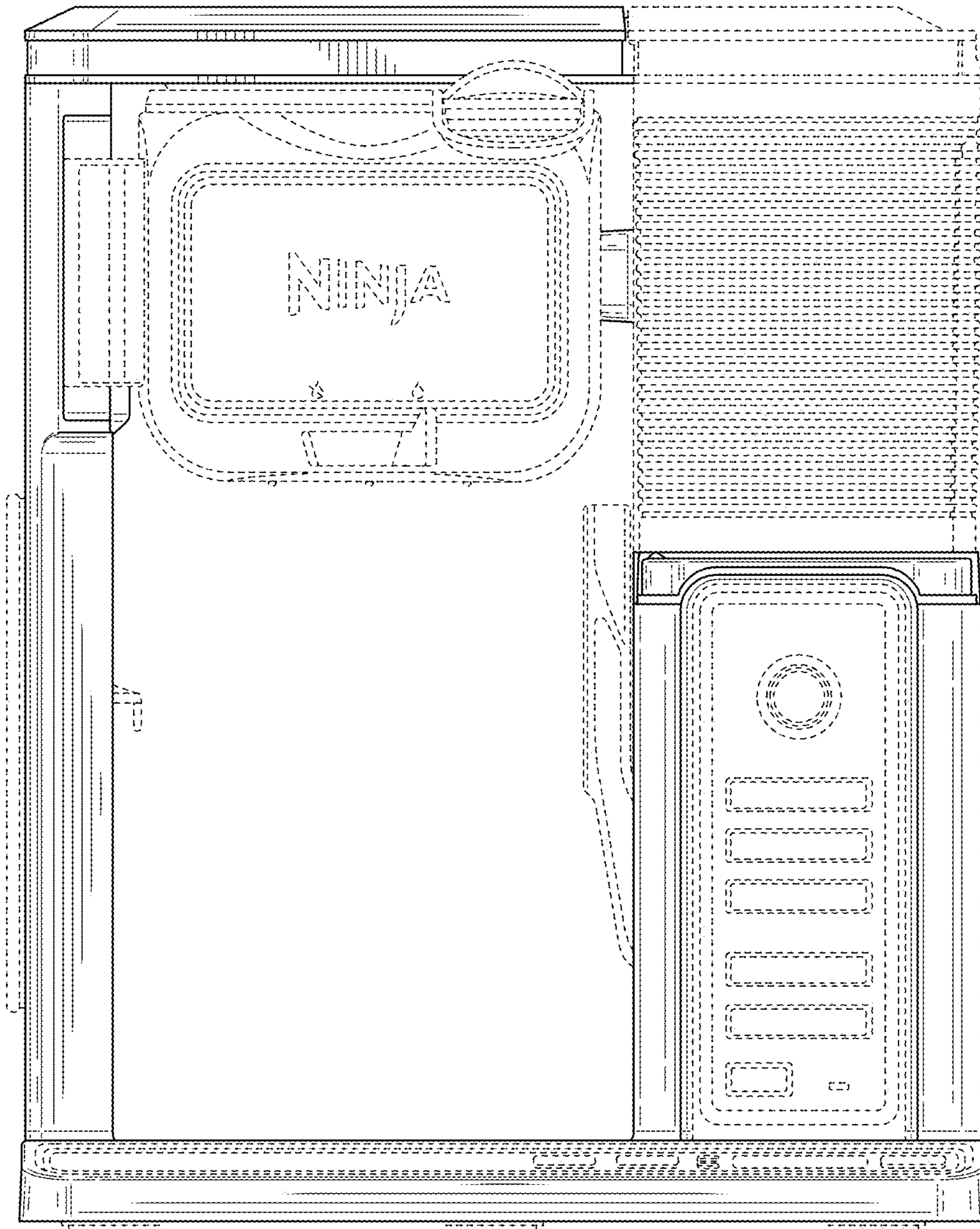


FIG. 2

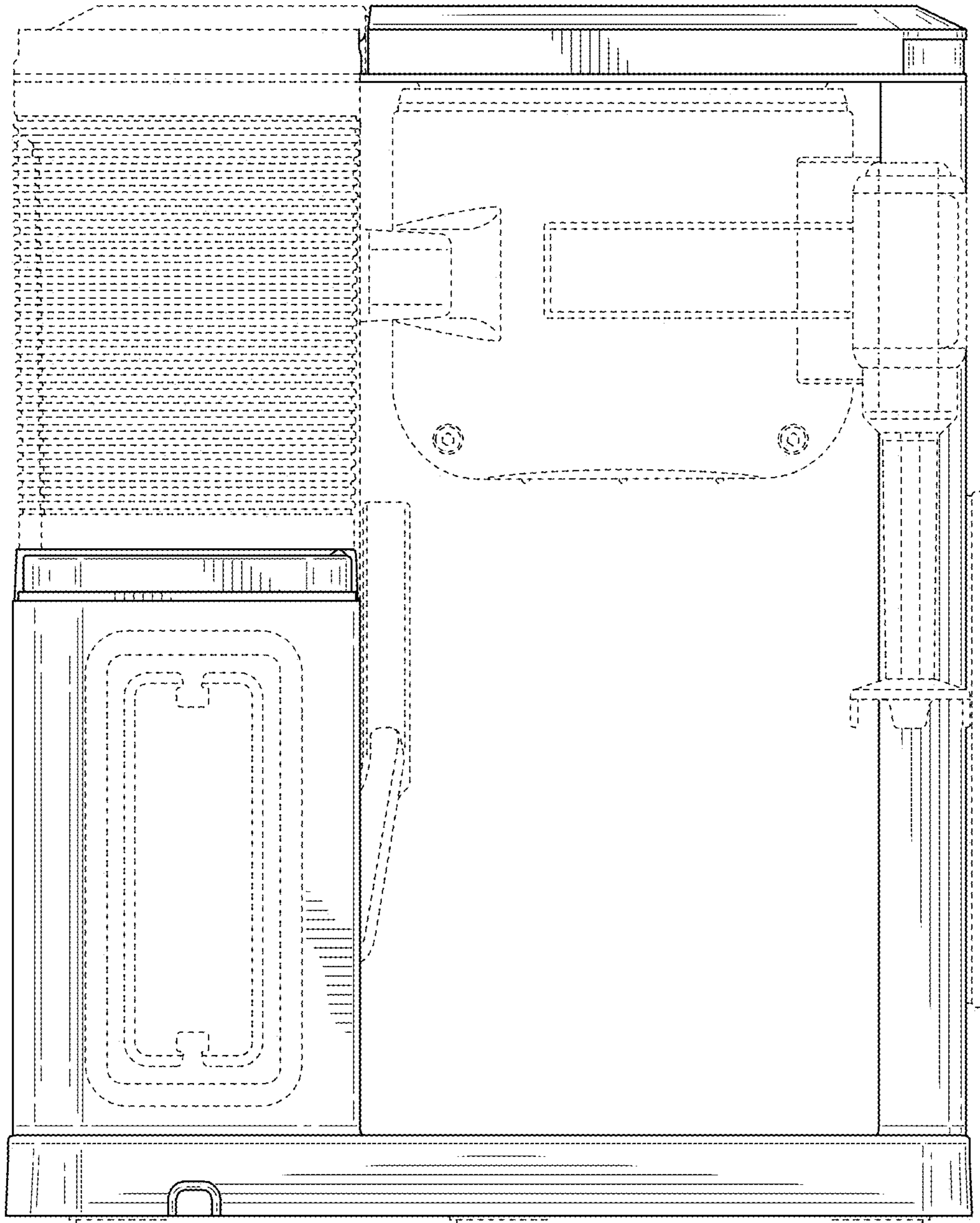


FIG. 3

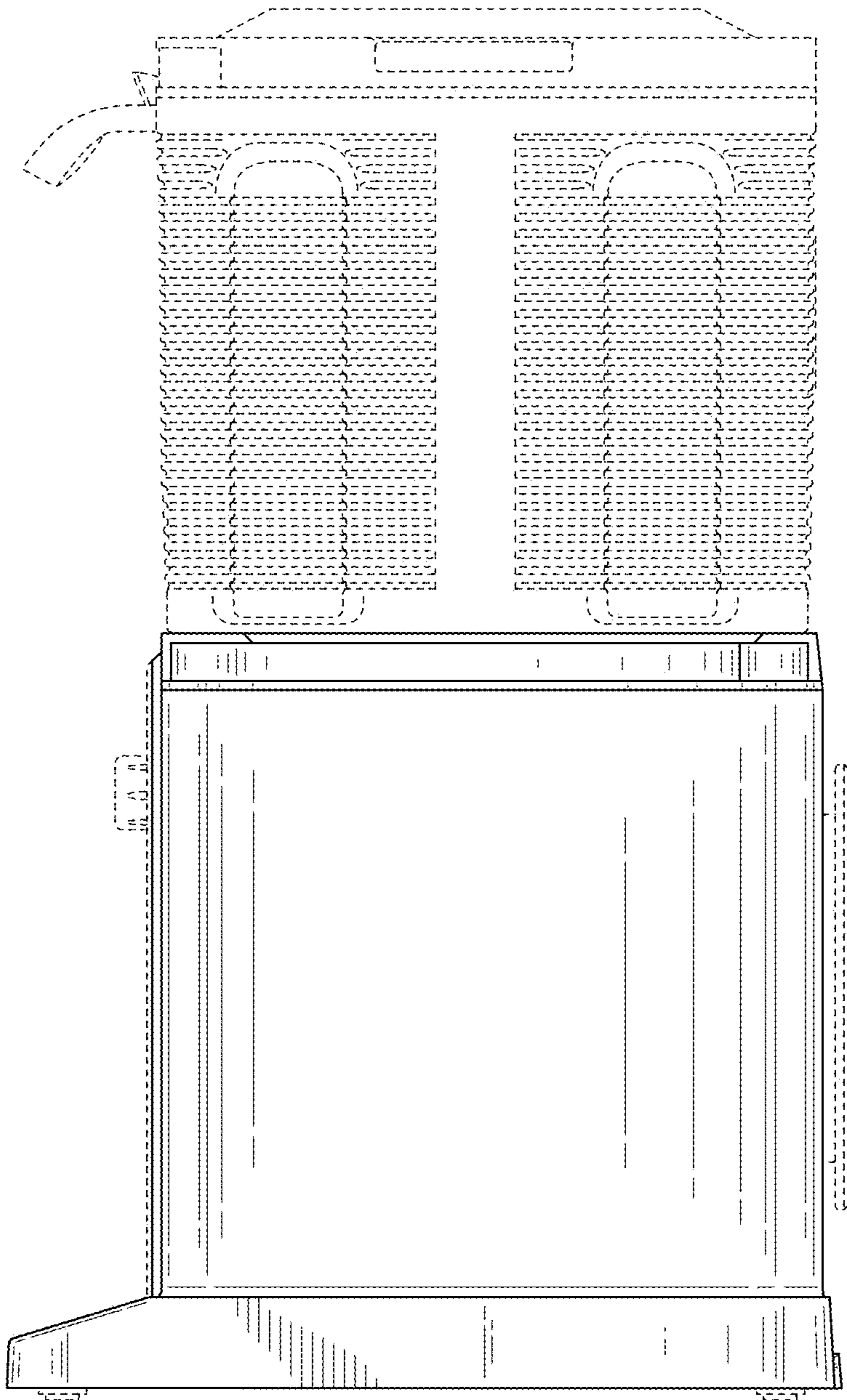


FIG. 4

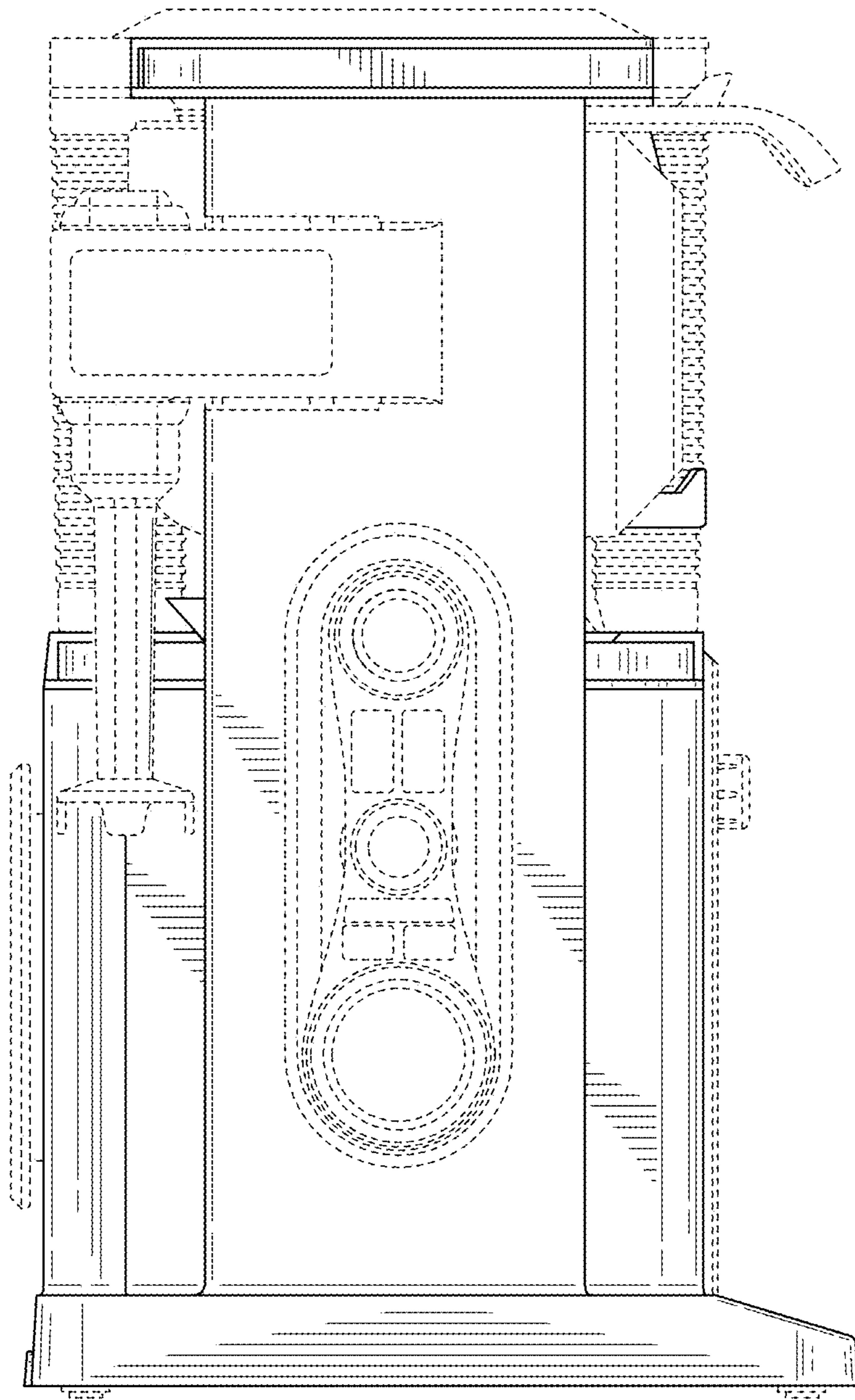


FIG. 5

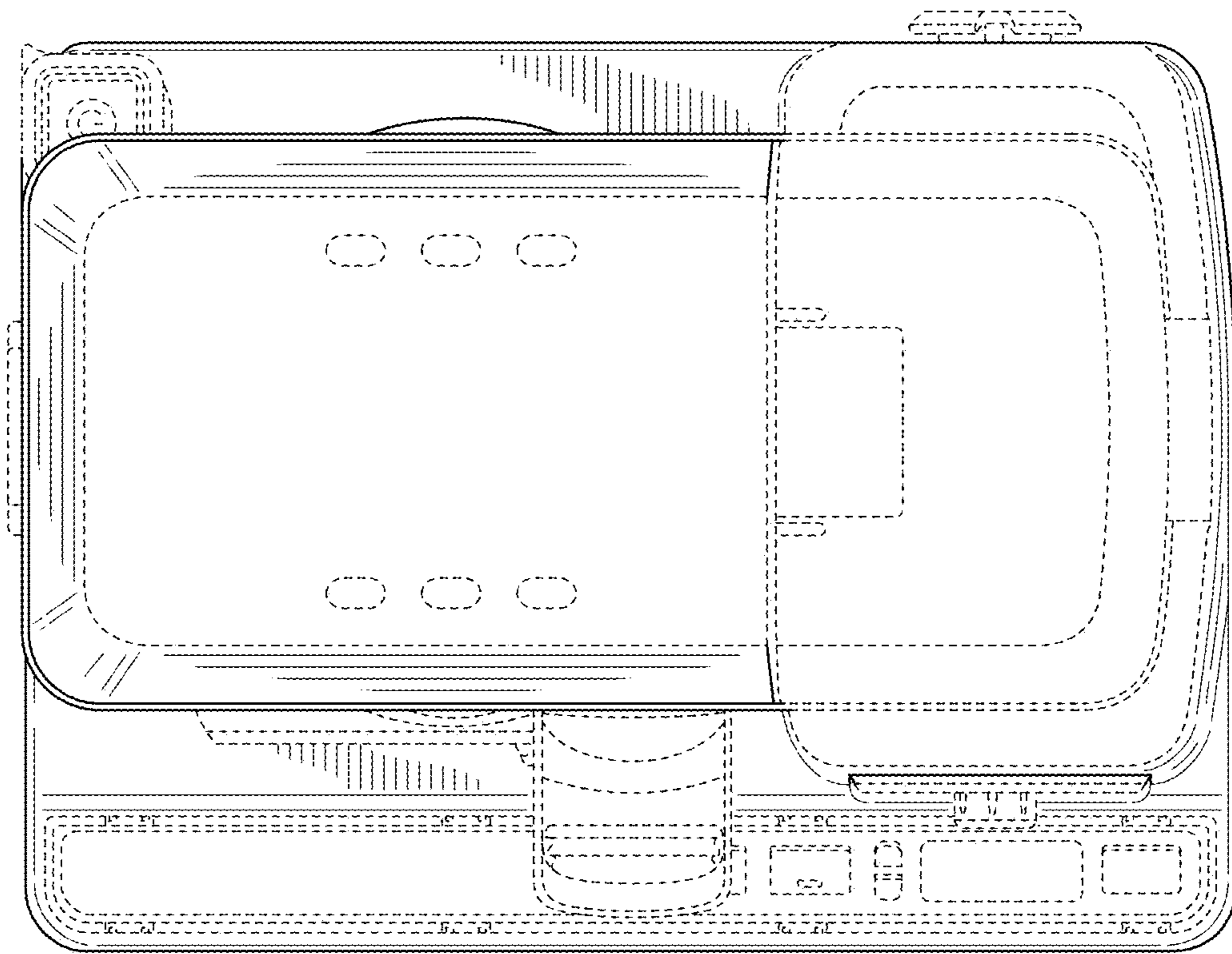


FIG. 6

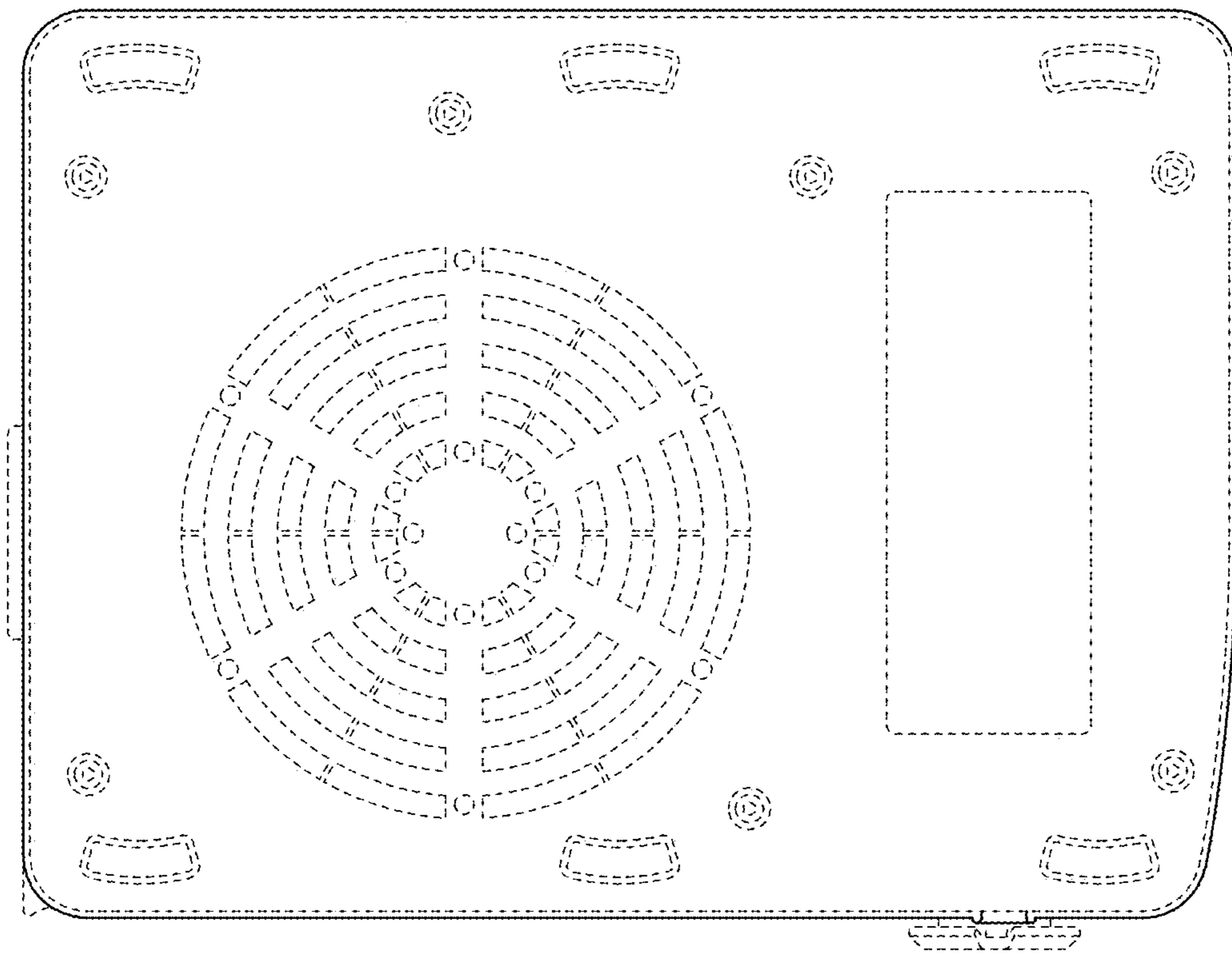


FIG. 7

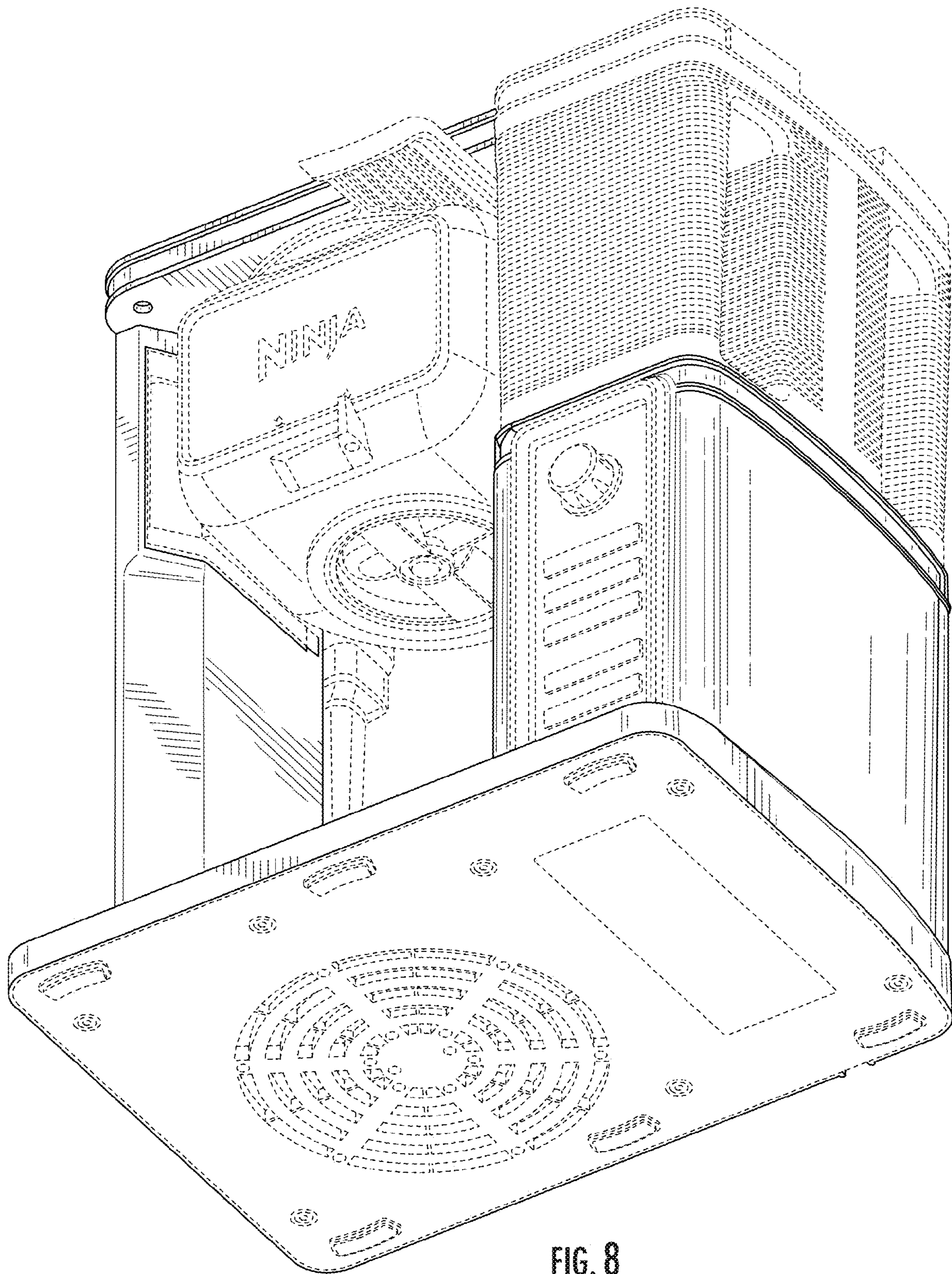


FIG. 8

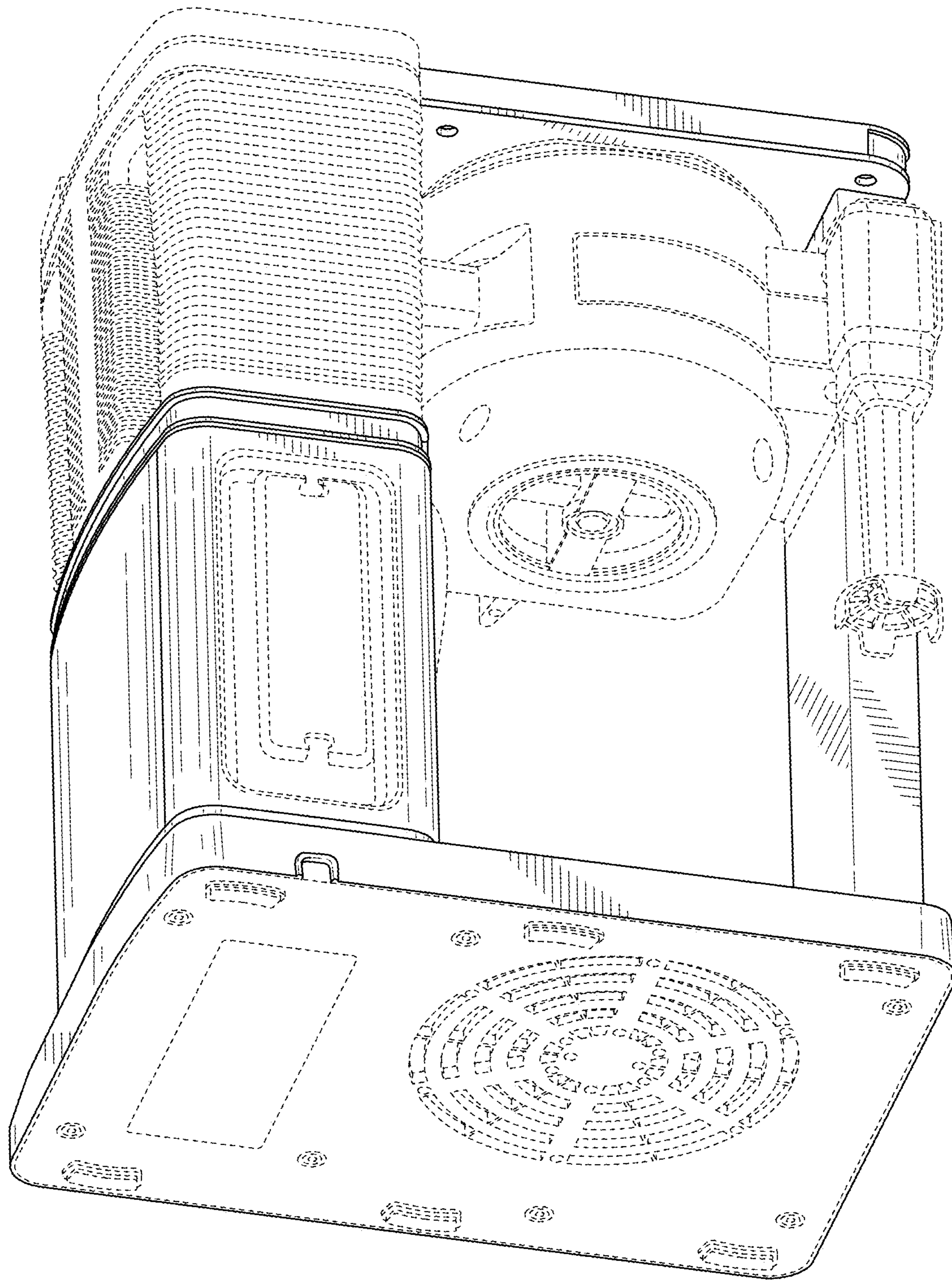


FIG. 9