



US00D878844S

(12) **United States Design Patent**
Zisman et al.

(10) **Patent No.:** **US D878,844 S**
(45) **Date of Patent:** **** Mar. 24, 2020**

- (54) **LIQUID DISPENSER AND PURIFIER**
- (71) Applicant: **STRAUSS WATER LTD**, Or Yehuda (IL)
- (72) Inventors: **Noam Zisman**, Ra'anana (IL); **Eyal Krystal**, Mazkeret Batia (IL); **Amit Rabin**, Rehovot (IL); **Dany Ascher**, Herzeliya (IL); **Omer Ben Baruch**, Kiryat Ono (IL); **Ran Houminer**, Ramat Ha Sharon (IL)
- (73) Assignee: **STRAUSS WATER LTD**, Or Yehuda (IL)
- (**) Term: **15 Years**
- (21) Appl. No.: **29/695,964**
- (22) Filed: **Jun. 24, 2019**

Related U.S. Application Data

- (62) Division of application No. 29/631,987, filed on Jan. 4, 2018, now Pat. No. Des. 866,236.

Foreign Application Priority Data

- (30) Jul. 5, 2017 (IL) 60613
- (51) **LOC (12) Cl.** **07-01**
- (52) **U.S. Cl.**
USPC **D7/306; D7/311; D23/207**
- (58) **Field of Classification Search**
USPC D7/300, 309-311, 306-308, 305, 397, D7/355, 362, 365, 367, 399; 222/146.6, 222/185.1, 135; 99/295, 273, 304, 288, 99/279, 307, 283; D20/4; D23/207
CPC A47J 31/46; A47J 31/407; A47J 31/50; A47J 31/18; A47J 31/00; A47J 27/04; A47J 31/0573; A47J 31/52

See application file for complete search history.

(56) **References Cited**

U.S. PATENT DOCUMENTS

- D462,865 S * 9/2002 Honan D7/309
- D473,281 S * 4/2003 Jansson D23/207
- D486,880 S * 2/2004 Gracias D23/207

(Continued)

Primary Examiner — Marianne N Pandozzi
(74) *Attorney, Agent, or Firm* — Vorys, Sater, Seymour and Pease LLP

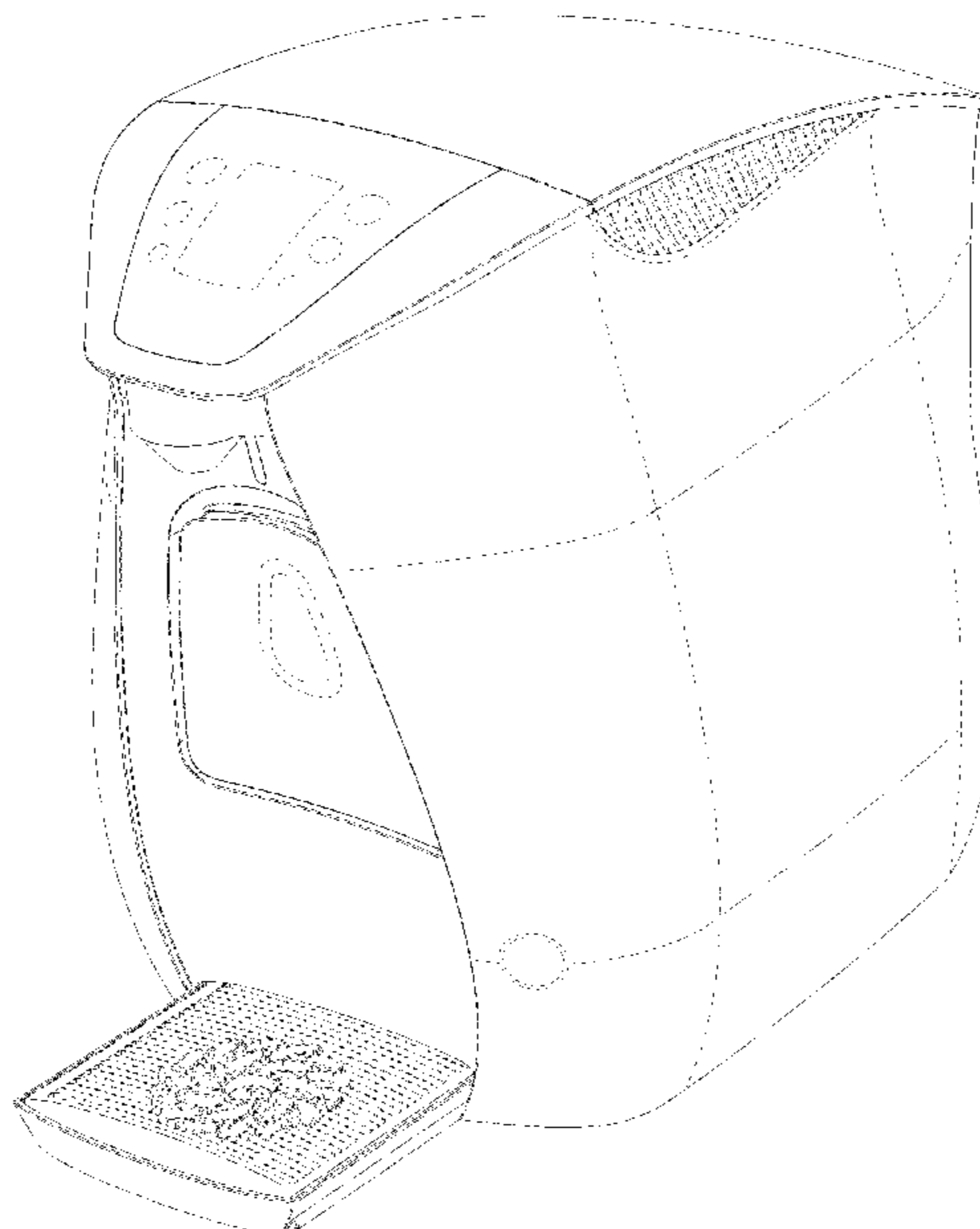
(57) **CLAIM**

The ornamental design for a liquid dispenser and purifier, as shown and described.

DESCRIPTION

FIG. 1 is a perspective view of a new design for a liquid dispenser and purifier, with trays at folded position;
 FIG. 2 is a bottom perspective view thereof, with trays at folded position;
 FIG. 3 is a rear and left side view thereof, with trays at folded position;
 FIG. 4 is a front view thereof, with trays at folded position;
 FIG. 5 is a rear view thereof;
 FIG. 6 is a left side view thereof, with trays at folded position;
 FIG. 7 is a right side view thereof, with trays at folded position;
 FIG. 8 is a top view thereof, with trays at folded position;
 FIG. 9 is a bottom view thereof, with trays at folded position;
 FIG. 10 is a front perspective view thereof, with upper and lower trays at an extended position;
 FIG. 11 is a front perspective view thereof, with upper tray at an extended position; and,
 FIG. 12 is a front perspective view thereof, with lower tray at an extended position.
 The parts shown in dashed lines form no part of the claimed design.

1 Claim, 12 Drawing Sheets



(56)

References Cited

U.S. PATENT DOCUMENTS

D513,572 S *	1/2006	Schaffeld	D7/309
D599,606 S *	9/2009	Wakita	D7/306
D643,192 S *	8/2011	McClaskie	D2/951
D683,174 S *	5/2013	Regamey	D7/306
D687,710 S *	8/2013	Johnson	D9/500
D703,477 S *	4/2014	Celli	D7/306
D712,187 S *	9/2014	Wilder	D7/306
D723,315 S *	3/2015	Wilder	D23/209
D725,954 S *	4/2015	Michel	D7/306
D747,047 S *	1/2016	Cornwell	D30/122
D757,477 S *	5/2016	Wang	D7/306
D779,257 S *	2/2017	Hale	D7/306

* cited by examiner

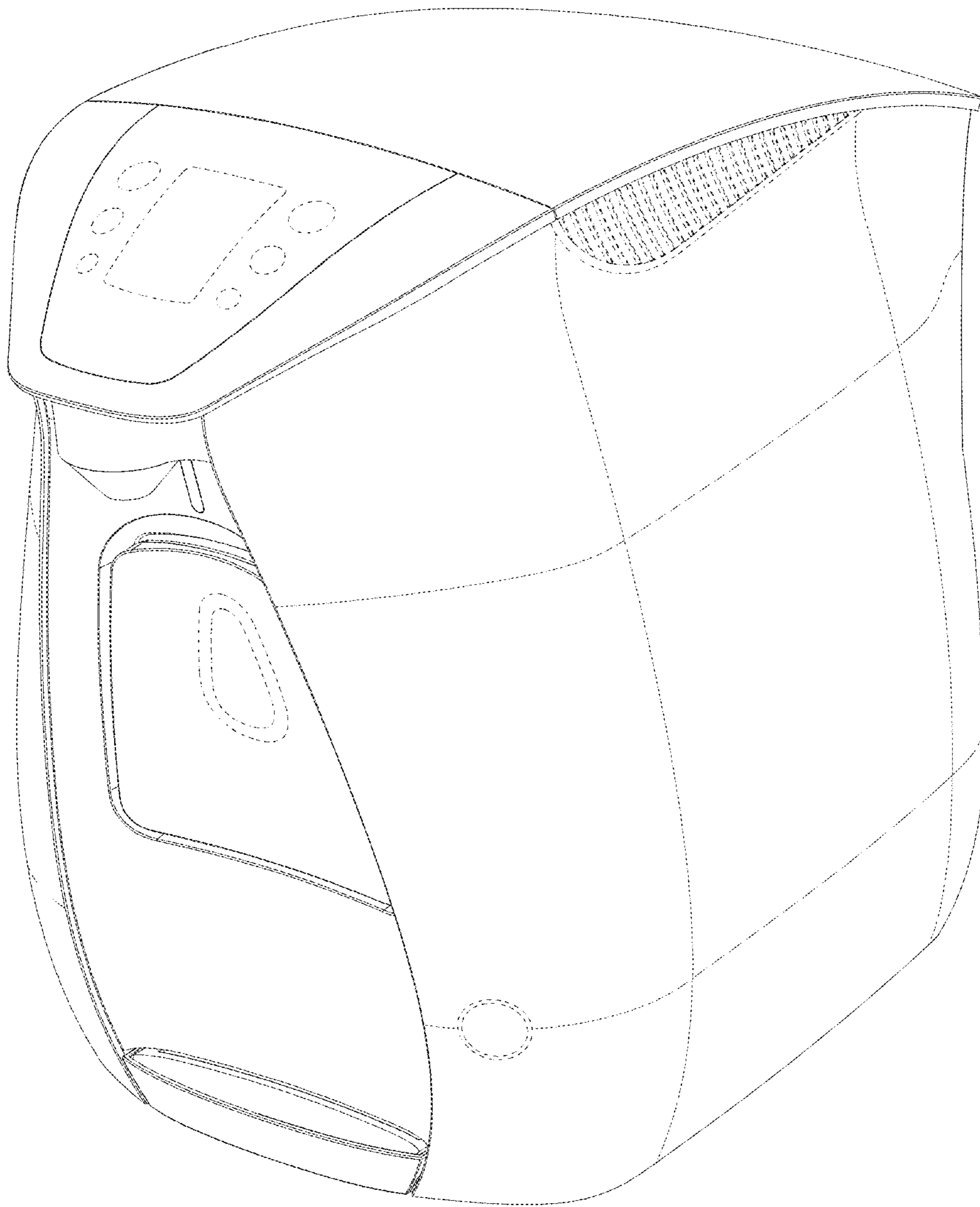


FIG. 1

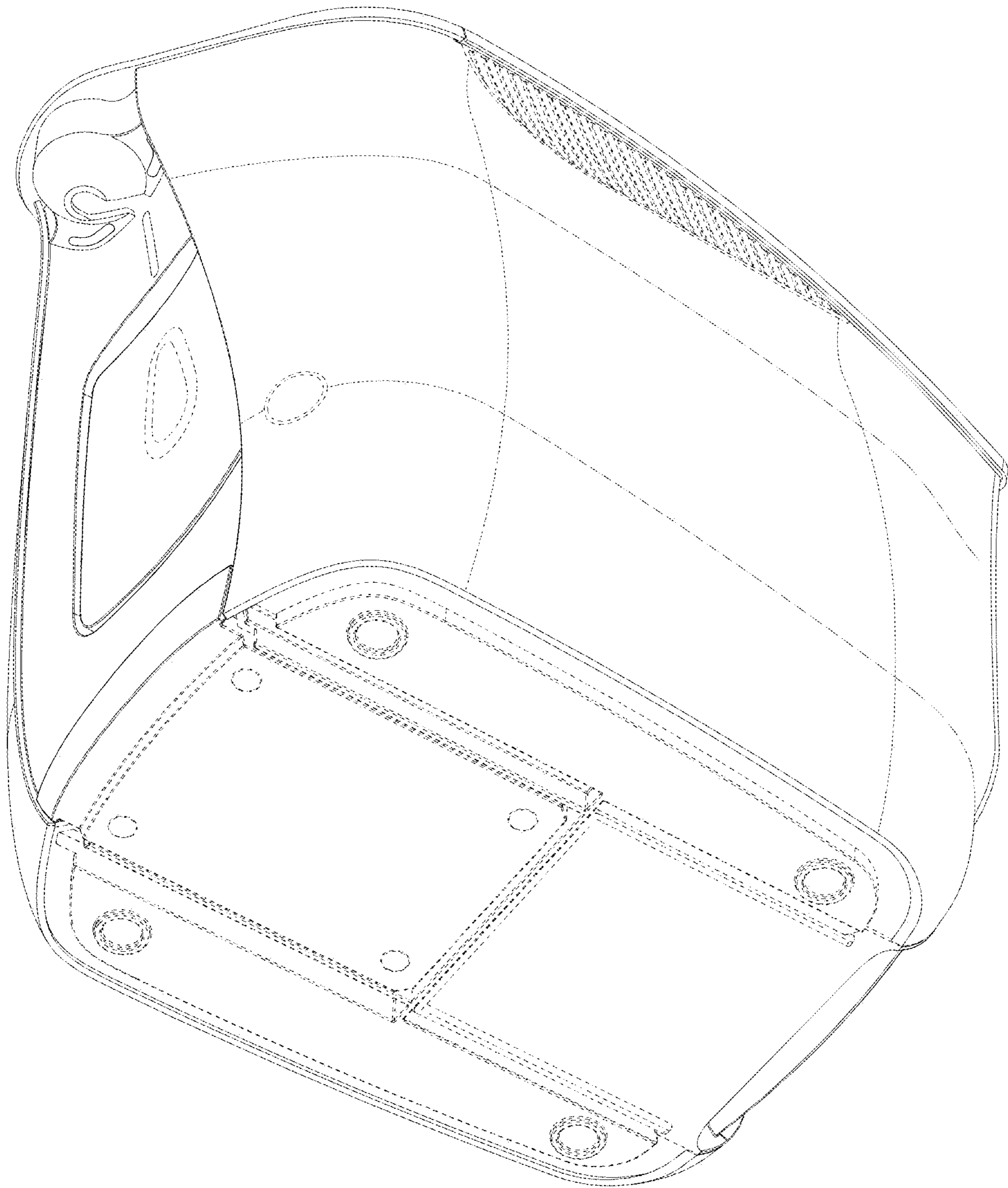


FIG. 2

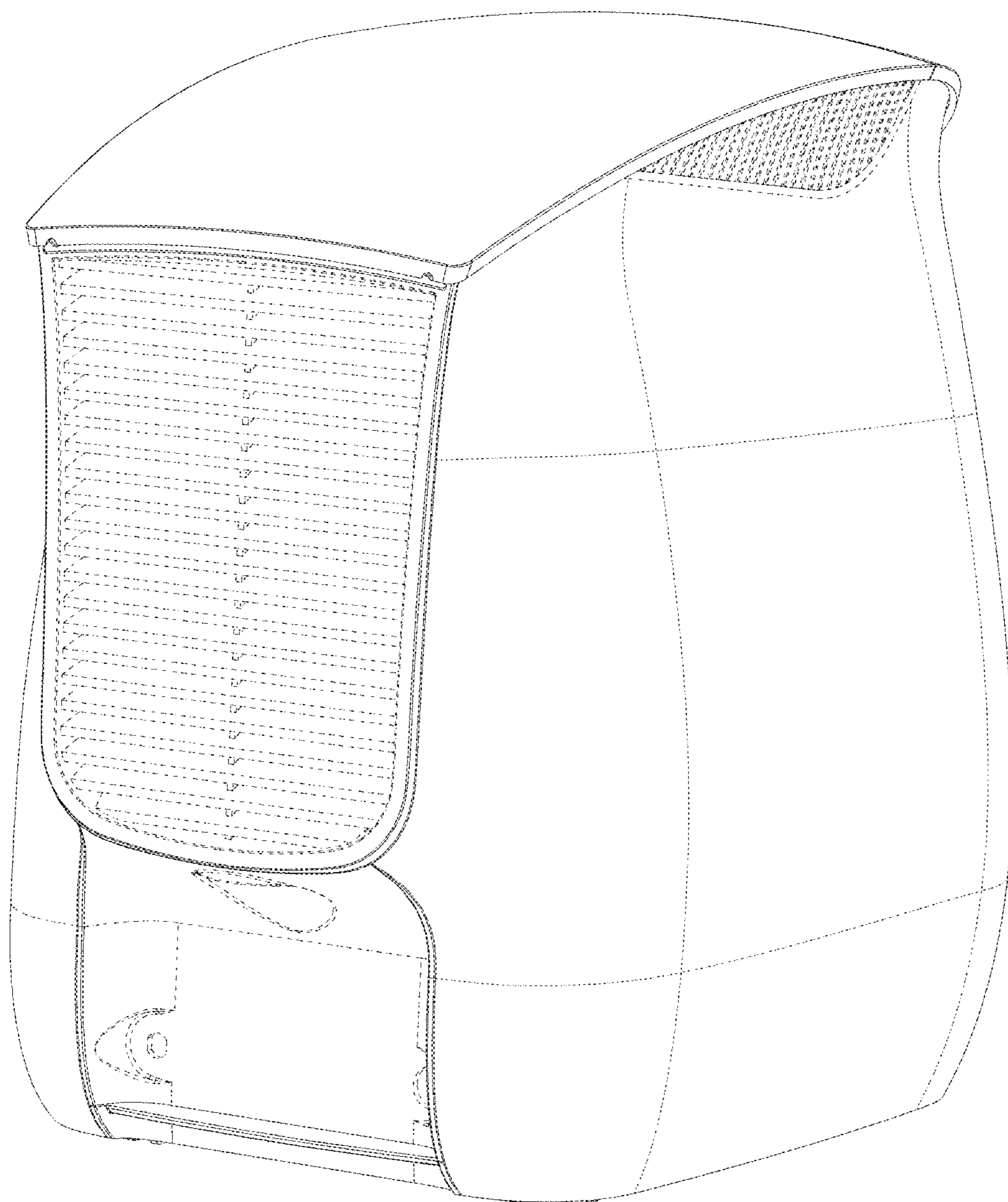


FIG. 3

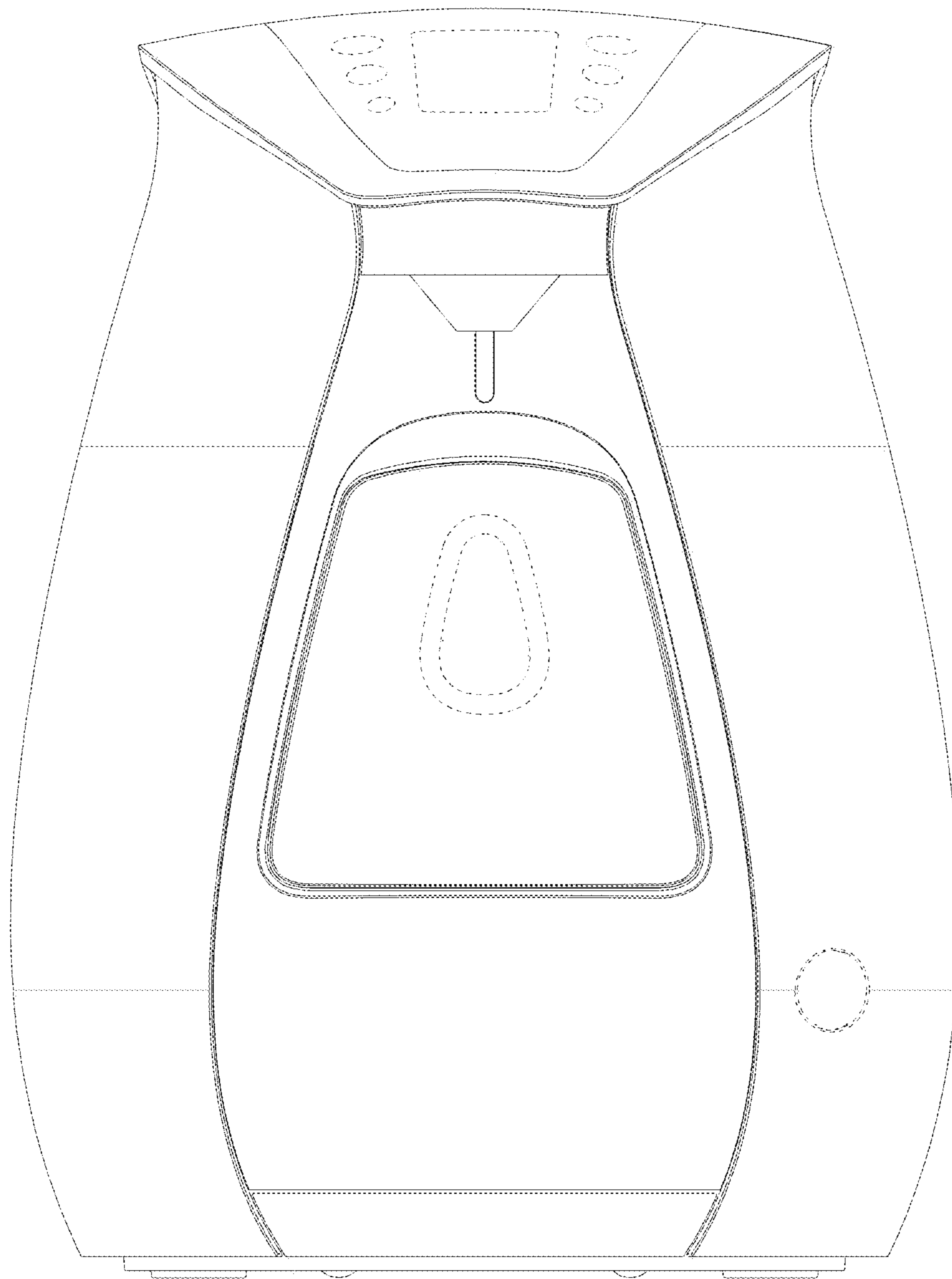


FIG. 4

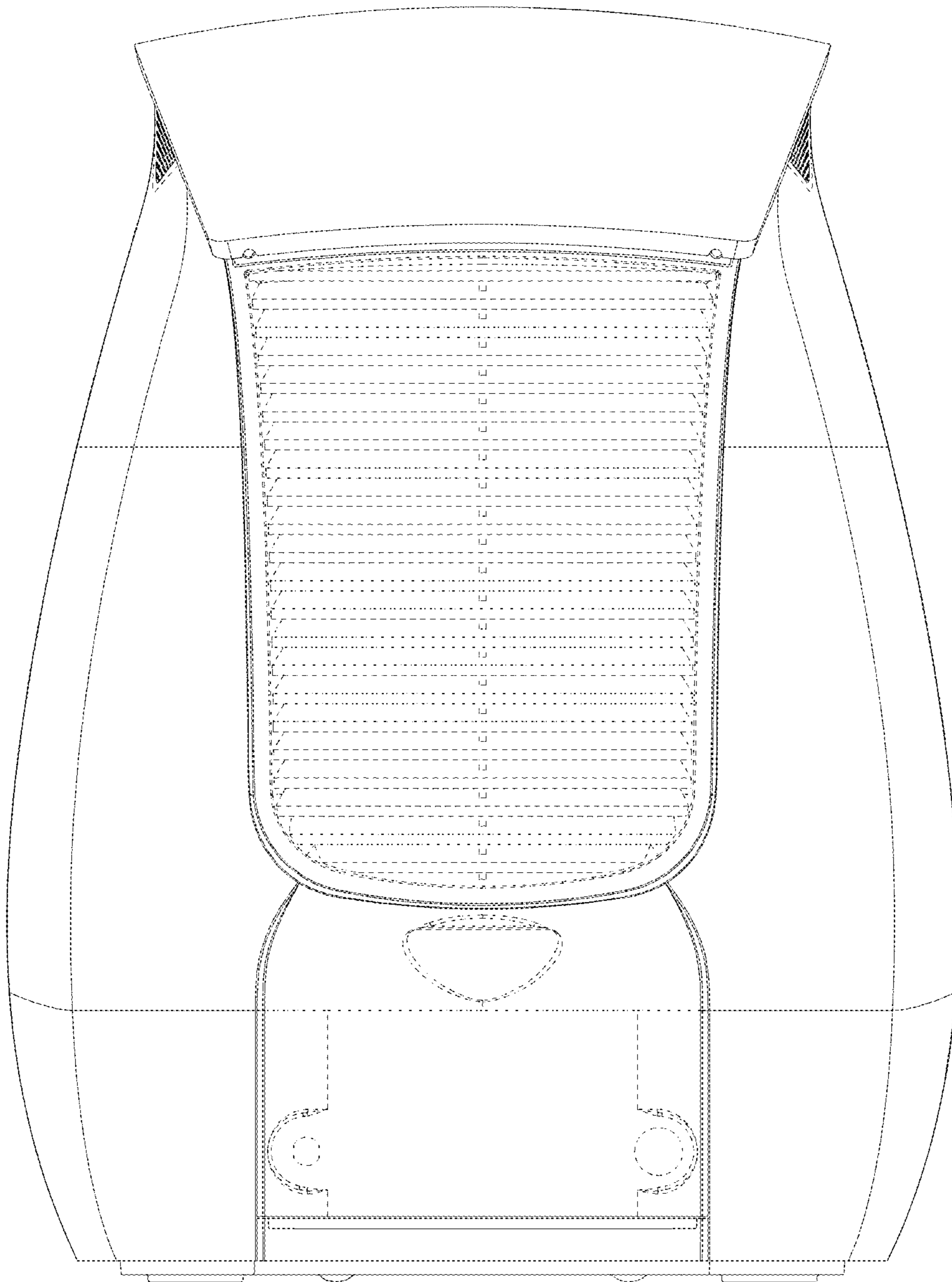


FIG. 5

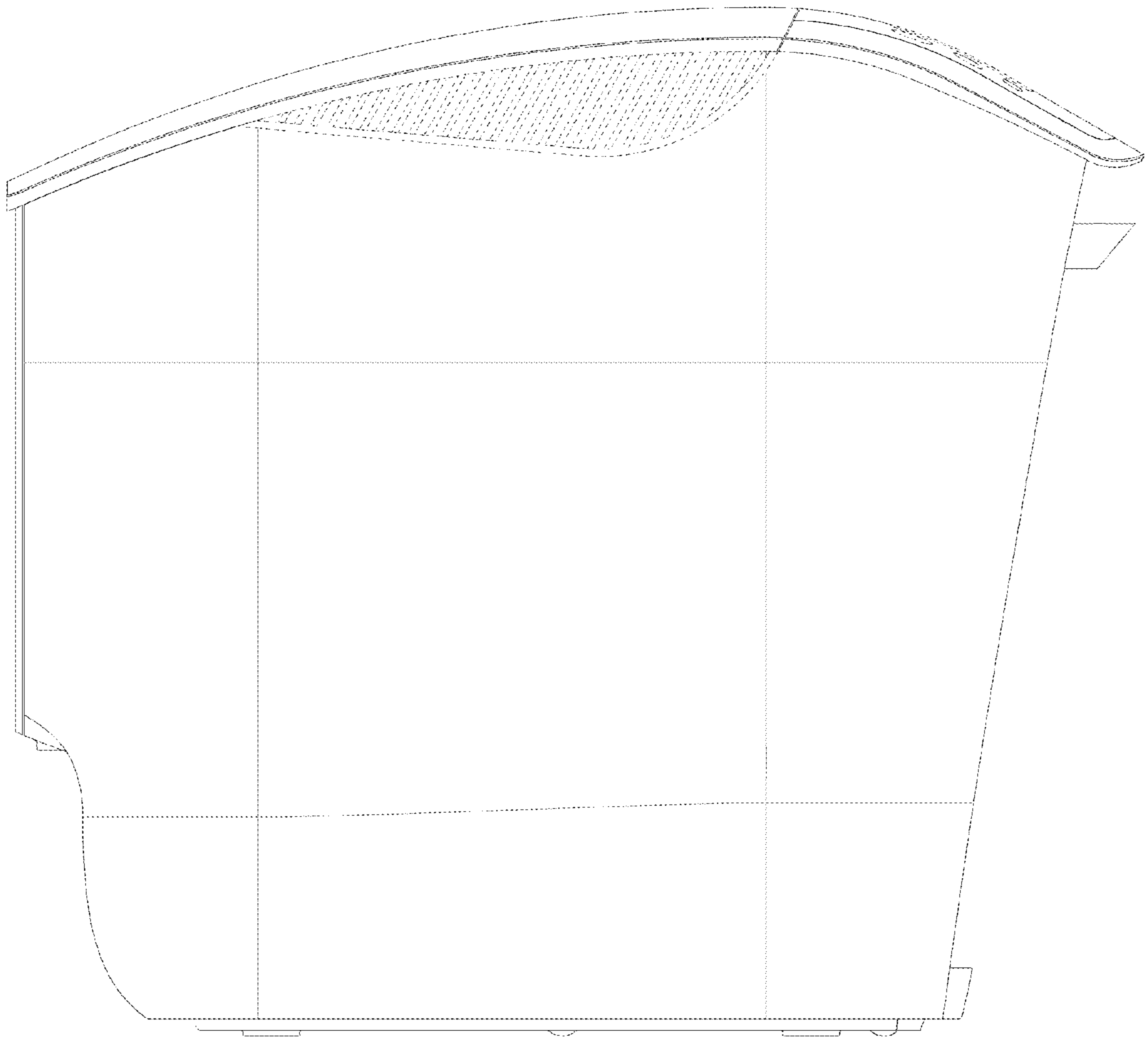


FIG. 6

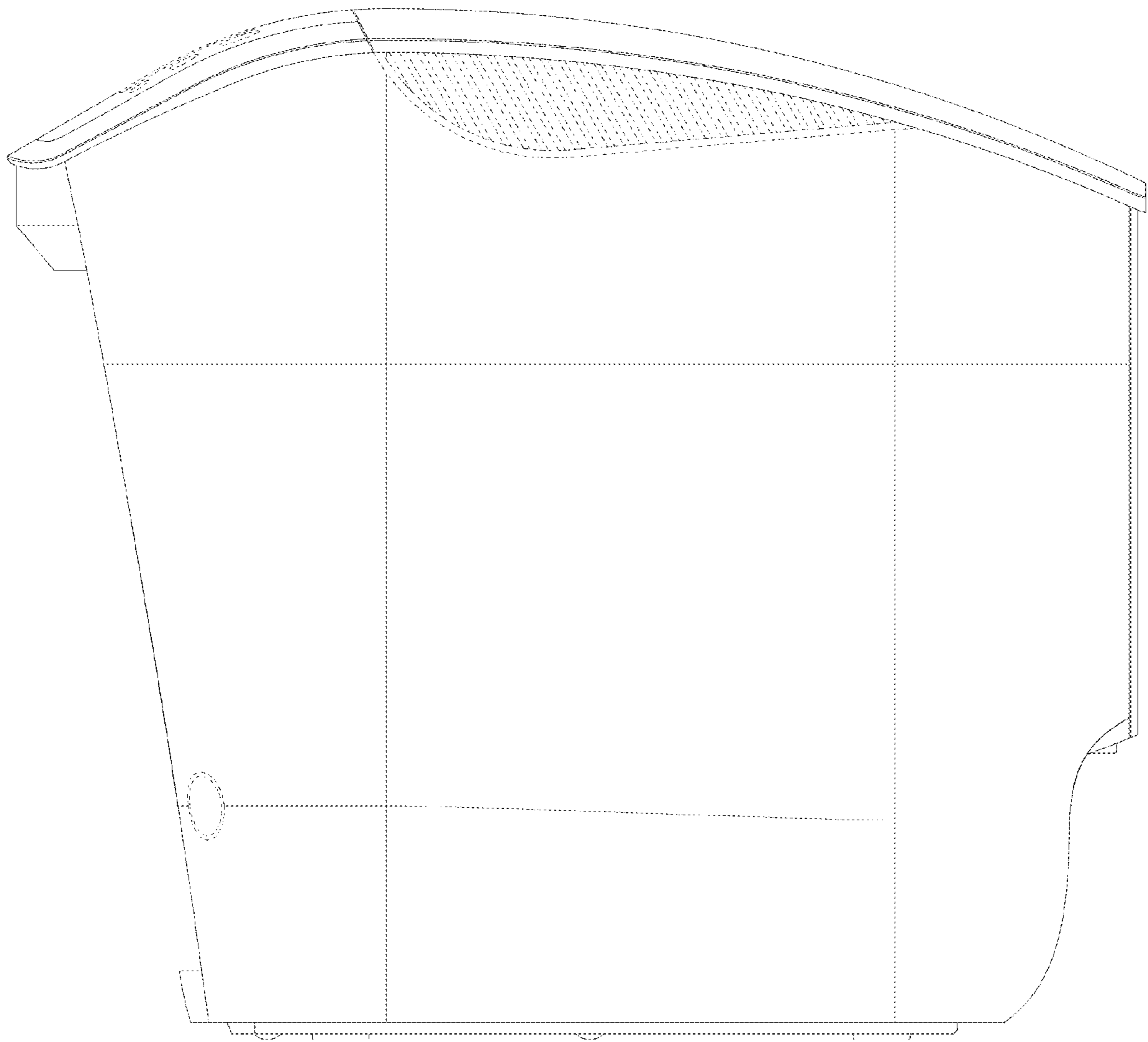


FIG. 7

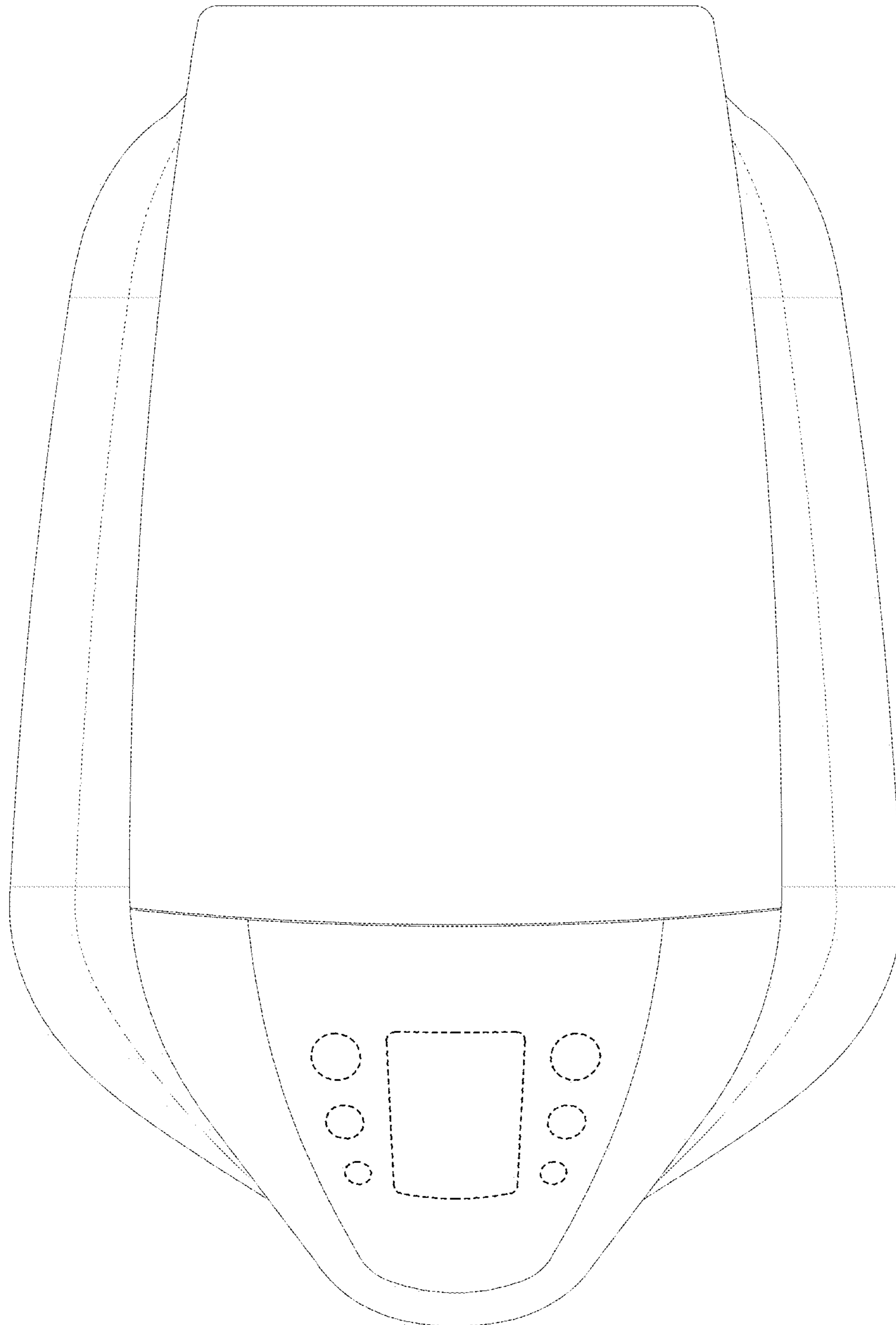


FIG. 8

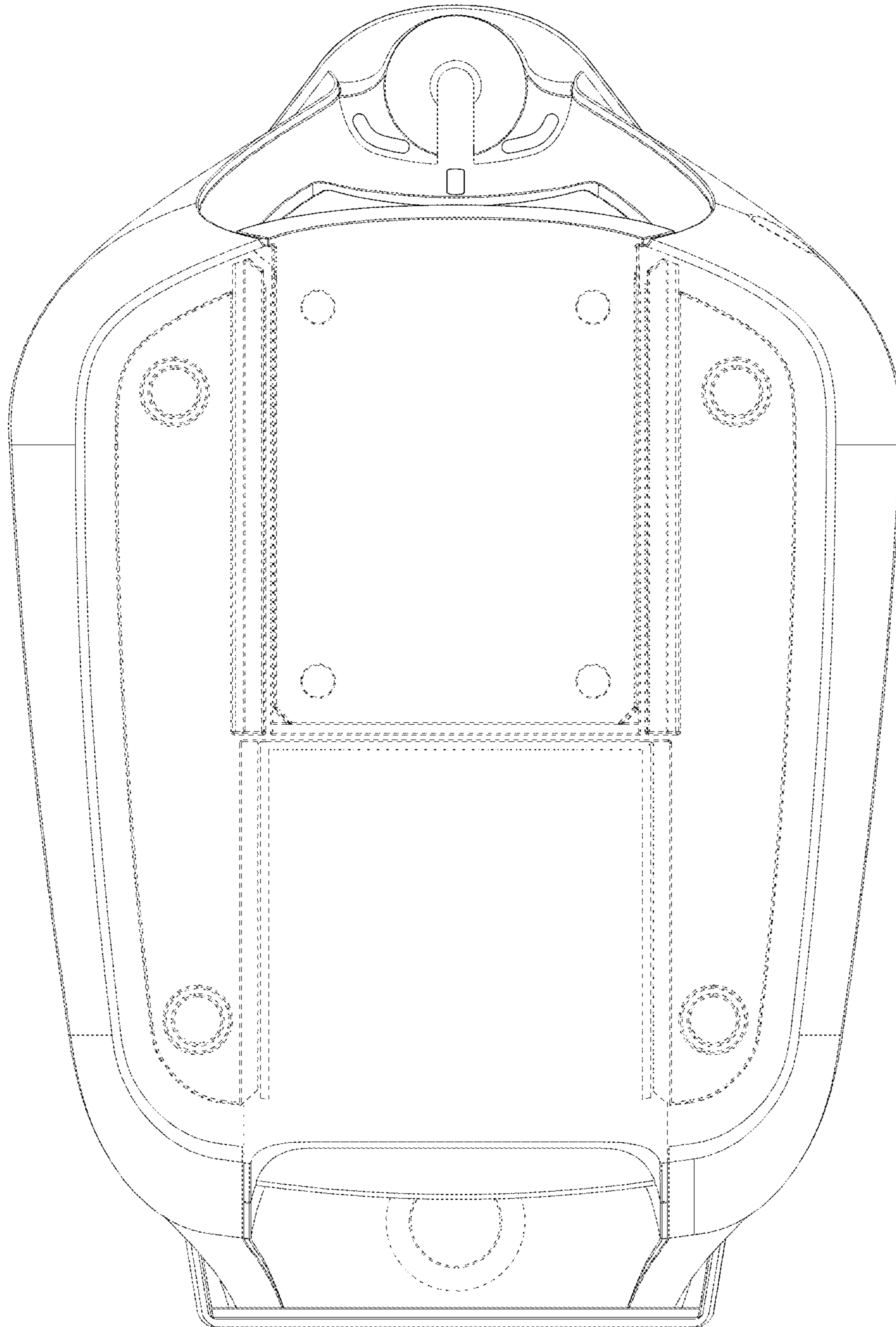


FIG. 9

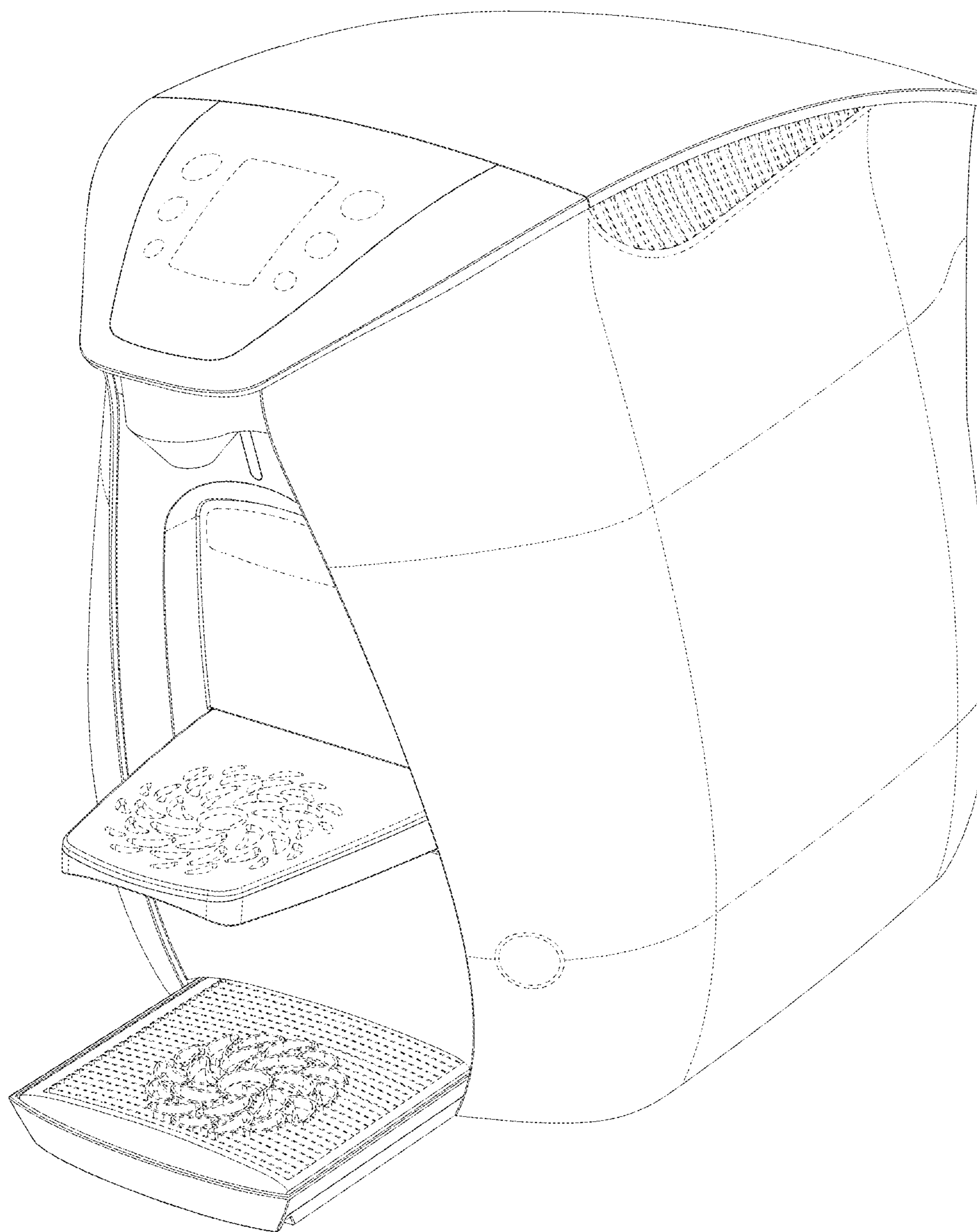


FIG. 10

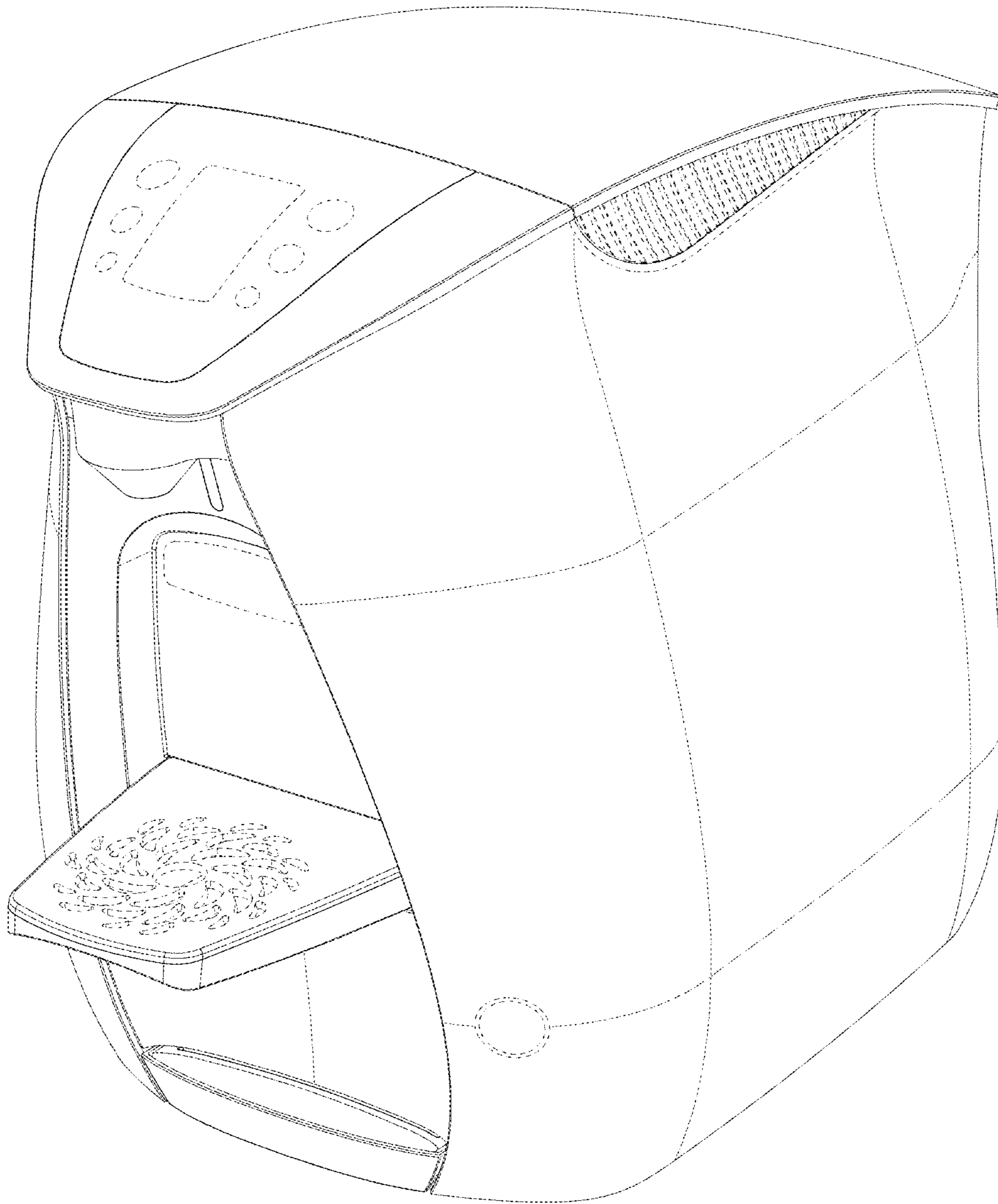


FIG. 11

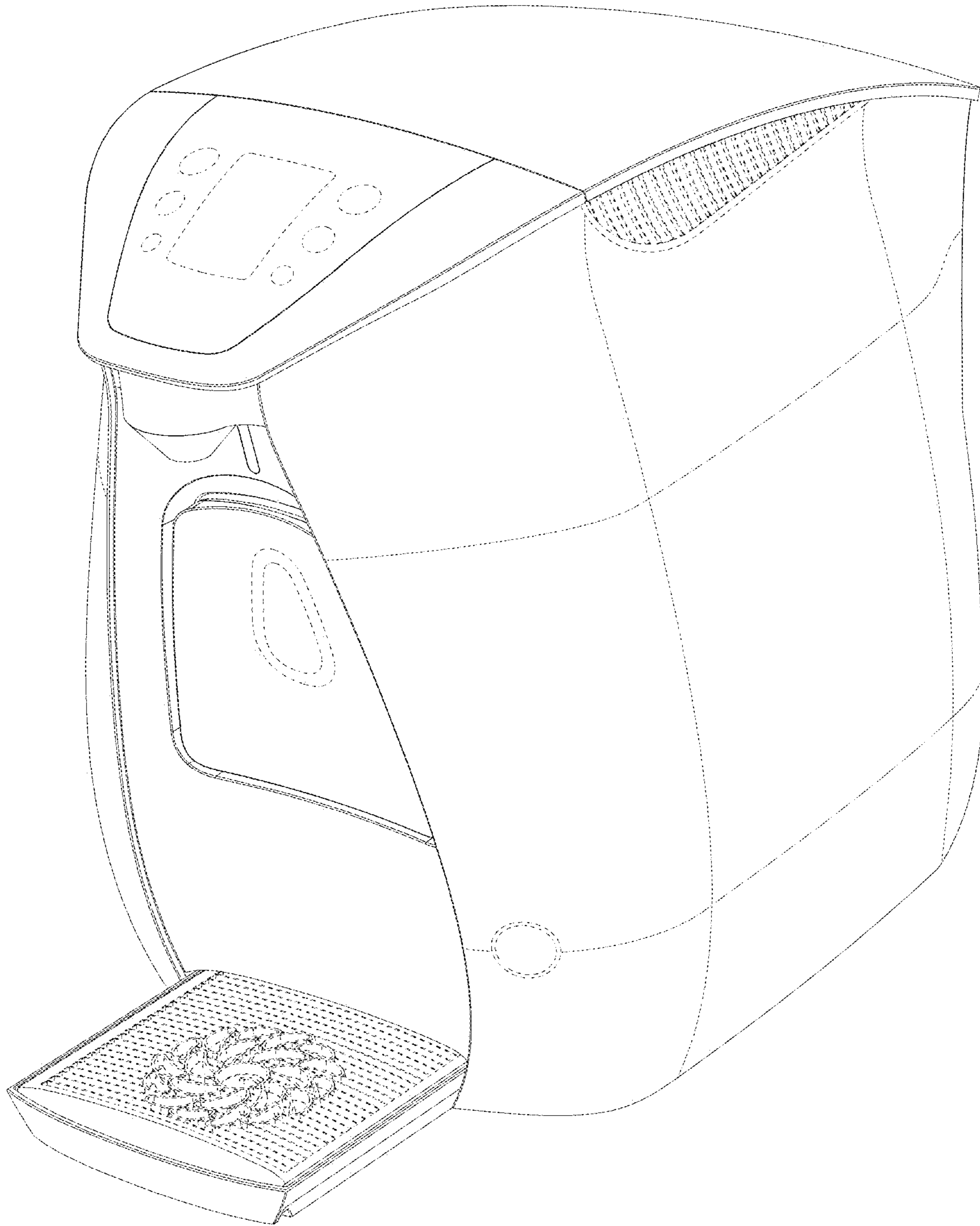


FIG. 12