



US00D878843S

(12) **United States Design Patent**  
**Watkins et al.**

(10) **Patent No.:** **US D878,843 S**

(45) **Date of Patent:** **\*\* Mar. 24, 2020**

(54) **DRINKING STRAW**

(71) Applicant: **Project X, LLC**, Provo, UT (US)

(72) Inventors: **Sean D. Watkins**, Spanish Fork, UT (US); **R. Camden Robinson**, Lindon, UT (US); **Dayne Tanner**, Oakland, CA (US); **Beau Oyler**, Oakland, CA (US); **Kyle K. Hill**, North Salt Lake, UT (US); **Michael Horito**, Provo, UT (US); **Jeremy C. Smith**, Provo, UT (US); **Ze Yu Liu**, Dongguan (CN)

(73) Assignee: **Project X, LLC**, Provo, UT (US)

(\*\*) Term: **15 Years**

(21) Appl. No.: **29/681,021**

(22) Filed: **Feb. 21, 2019**

(51) **LOC (12) Cl.** ..... **07-06**

(52) **U.S. Cl.**  
USPC ..... **D7/300.2**

(58) **Field of Classification Search**  
USPC ..... D7/300.2, 397, 505, 507, 635, 643, 683,  
D7/387, 213, 400, 664, 653, 648, 300;  
(Continued)

(56) **References Cited**

**U.S. PATENT DOCUMENTS**

2,120,201 A \* 6/1938 Fisk ..... F25D 3/08  
62/293

D158,056 S 4/1950 Dinhofer  
(Continued)

**OTHER PUBLICATIONS**

Kickstarter.com, Rain Straw, Publication date Mar. 6, 2019, [site visited Jul. 23, 2019], Available on the Internet URL <https://www.kickstarter.com/projects/snappower/rain-straw-the-reusable-slide-apart-straw-for-easy/updates> (Year: 2019).\*

(Continued)

*Primary Examiner* — Karen S Acker  
*Assistant Examiner* — Steven B Reinholdt, Jr.

(57) **CLAIM**

The ornamental design for a drinking straw, as shown and described.

**DESCRIPTION**

FIG. 1 is a back view of a drinking straw in accordance with our new design;  
FIG. 2 is a left side view thereof;  
FIG. 3 is a front view thereof;  
FIG. 4 is a right side view thereof;  
FIG. 5 is an enlarged bottom end view thereof;  
FIG. 6 is an enlarged perspective view thereof;  
FIG. 7 is an enlarged detail view of an area circumscribed within FIG. 6;  
FIG. 8 is an enlarged top end view thereof of FIG. 1;  
FIG. 9 is an enlarged perspective view thereof;  
FIG. 10 is an enlarged detail view of an area circumscribed within FIG. 9;  
FIG. 11 is a back view of a first portion of the drinking straw of FIG. 1;  
FIG. 12 is a left side view thereof;  
FIG. 13 is a front view thereof;  
FIG. 14 is a right side view thereof;  
FIG. 15 is an enlarged top end view thereof;  
FIG. 16 is an enlarged perspective view thereof;  
FIG. 17 is an enlarged detail view of an area circumscribed within FIG. 16;  
FIG. 18 is a bottom end view of FIG. 11;  
FIG. 19 is an enlarged detail view of an area circumscribed within FIG. 11;  
FIG. 20 is an enlarged perspective view of FIG. 11;  
FIG. 21 is an enlarged detail view of an area circumscribed within FIG. 12;  
FIG. 22 is a back view of a second portion of the drinking straw of FIG. 1;  
FIG. 23 is a left side view thereof;  
FIG. 24 is a front view thereof;  
FIG. 25 is a right side view thereof;  
FIG. 26 is an enlarged end view thereof;  
FIG. 27 is an enlarged perspective view thereof; and,

(Continued)

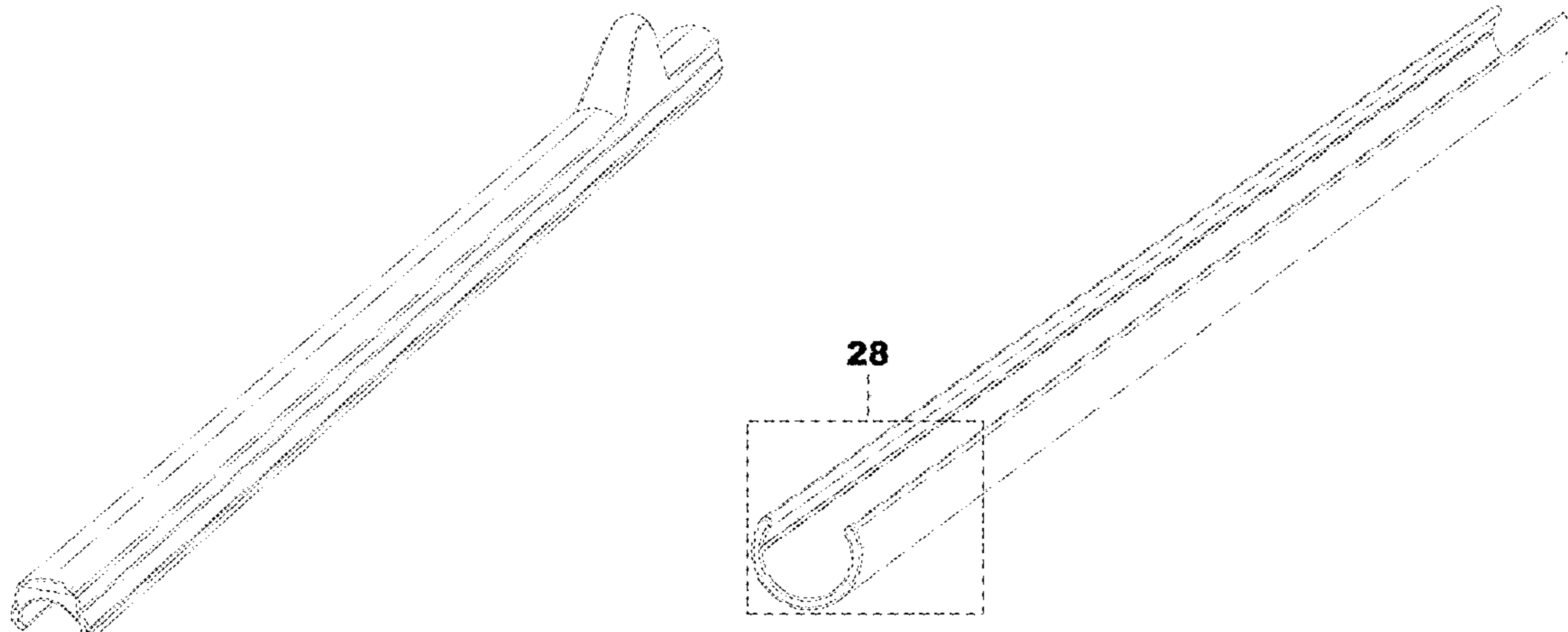


FIG. 28 is an enlarged detail view of an area circumscribed within FIG. 27.

The broken lines in FIGS. 6, 7, 9, 10, 11, 12, 16, 17, 19, 21, 27 and 28 denote enlargement boundaries that form no part of the claim.

**1 Claim, 8 Drawing Sheets**

(58) **Field of Classification Search**

USPC ..... D20/22, 28; D9/499, 434; D23/209, D23/210; D27/101

CPC ..... A47G 21/181; A47G 21/18; A01M 3/022

See application file for complete search history.

(56) **References Cited**

U.S. PATENT DOCUMENTS

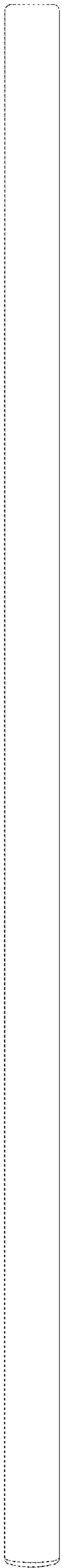
2,613,107 A \* 10/1952 Hartnett ..... A47G 21/181  
239/33  
2,837,234 A \* 6/1958 Mainiere ..... B65D 77/283  
215/388  
2,979,267 A \* 4/1961 Miller ..... A47G 21/181  
239/33  
3,545,980 A \* 12/1970 Stanger ..... A47G 21/183  
426/85  
4,065,107 A \* 12/1977 Van Horbek ..... A47J 43/1068  
366/343  
4,134,494 A \* 1/1979 Wong ..... A47G 21/187  
206/216  
5,361,987 A 11/1994 Matheussen  
5,501,554 A \* 3/1996 Robinson ..... B23B 51/101  
408/153  
D439,787 S 4/2001 Slater

D444,022 S 6/2001 Katsukawa  
D491,336 S 6/2004 Cecere  
D494,002 S 8/2004 Killips  
D520,292 S 5/2006 Oas  
D532,242 S \* 11/2006 Aikens ..... D7/300.2  
D543,767 S 6/2007 Mather  
D547,590 S 7/2007 Joyce  
D555,410 S 11/2007 Sheedy  
D567,004 S 4/2008 Bottega  
D575,570 S 8/2008 Antonelli  
D638,243 S \* 5/2011 Carlson ..... D7/300.2  
D674,649 S 1/2013 Ludwig  
D694,565 S 12/2013 Zeghibe  
D697,355 S 1/2014 White  
D699,064 S 2/2014 Katterheinrich  
D734,084 S 7/2015 Hollander  
D757,994 S \* 5/2016 Moradian ..... D27/101  
D765,453 S 9/2016 Suquet  
D813,584 S 3/2018 Ludwig  
2005/0142252 A1 \* 6/2005 Brown ..... A23L 2/395  
426/85  
2008/0128529 A1 \* 6/2008 Fernandez ..... A47G 21/181  
239/33  
2015/0173543 A1 \* 6/2015 Dommarco Lindenthal-  
Breier ..... A47G 21/181  
239/33  
2016/0051071 A1 \* 2/2016 Buck ..... A47G 21/187  
239/33

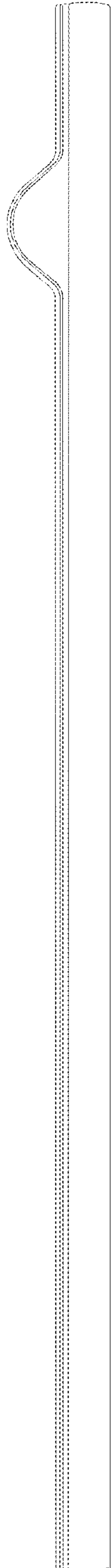
OTHER PUBLICATIONS

Wa Cheung “Icicle straw—The World’s First Splittable Drinking Straw”, retrieved on Feb. 21, 2019 from <https://www.kickstarter.com/projects/miim/icicle-straw-the-worlds-cleanest-reusable-drinking>.

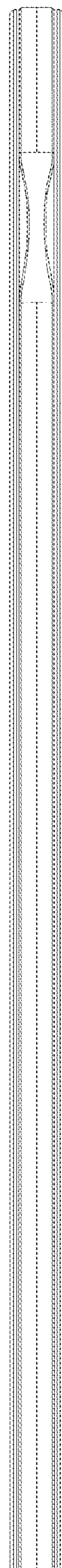
\* cited by examiner



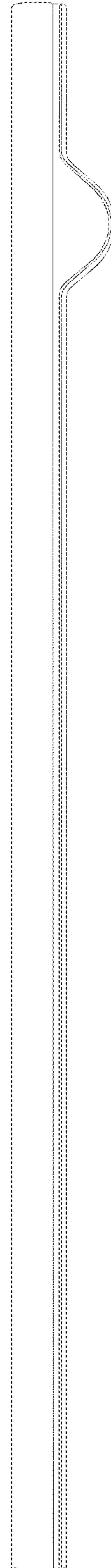
**FIG. 1**



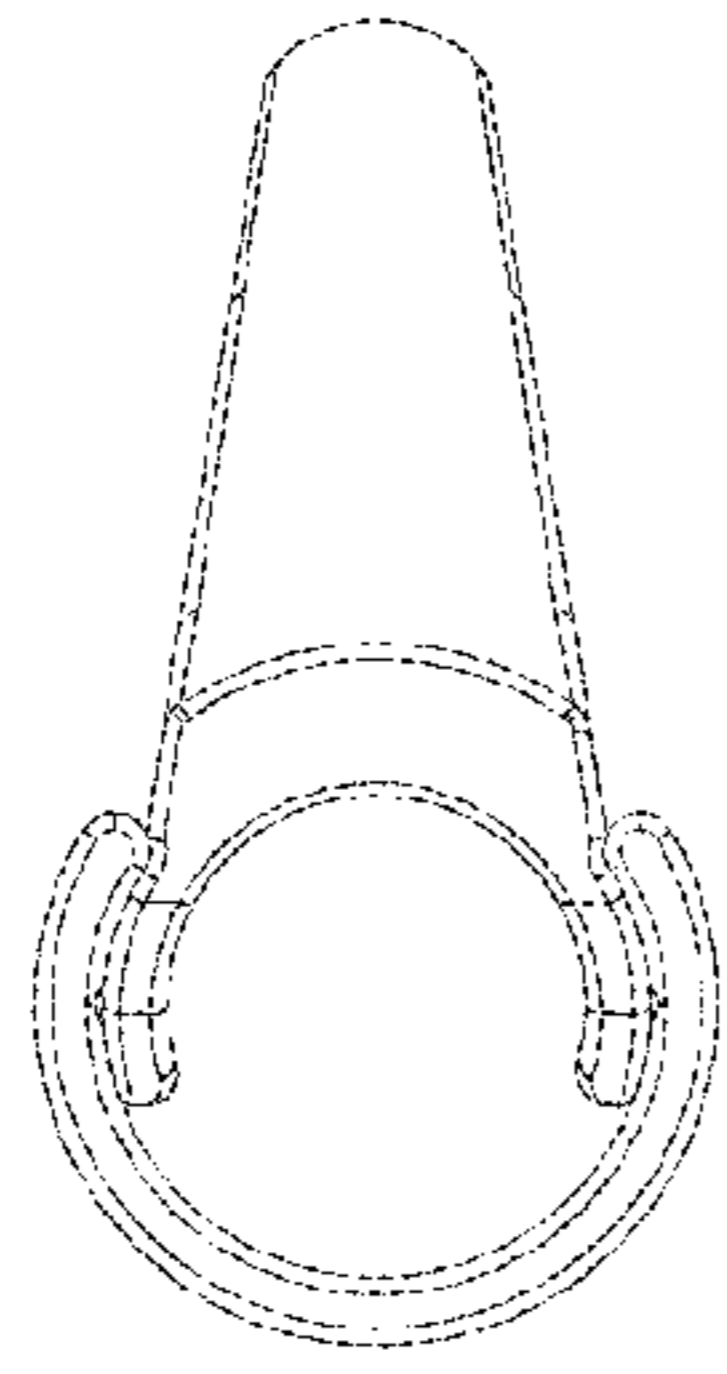
**FIG. 2**



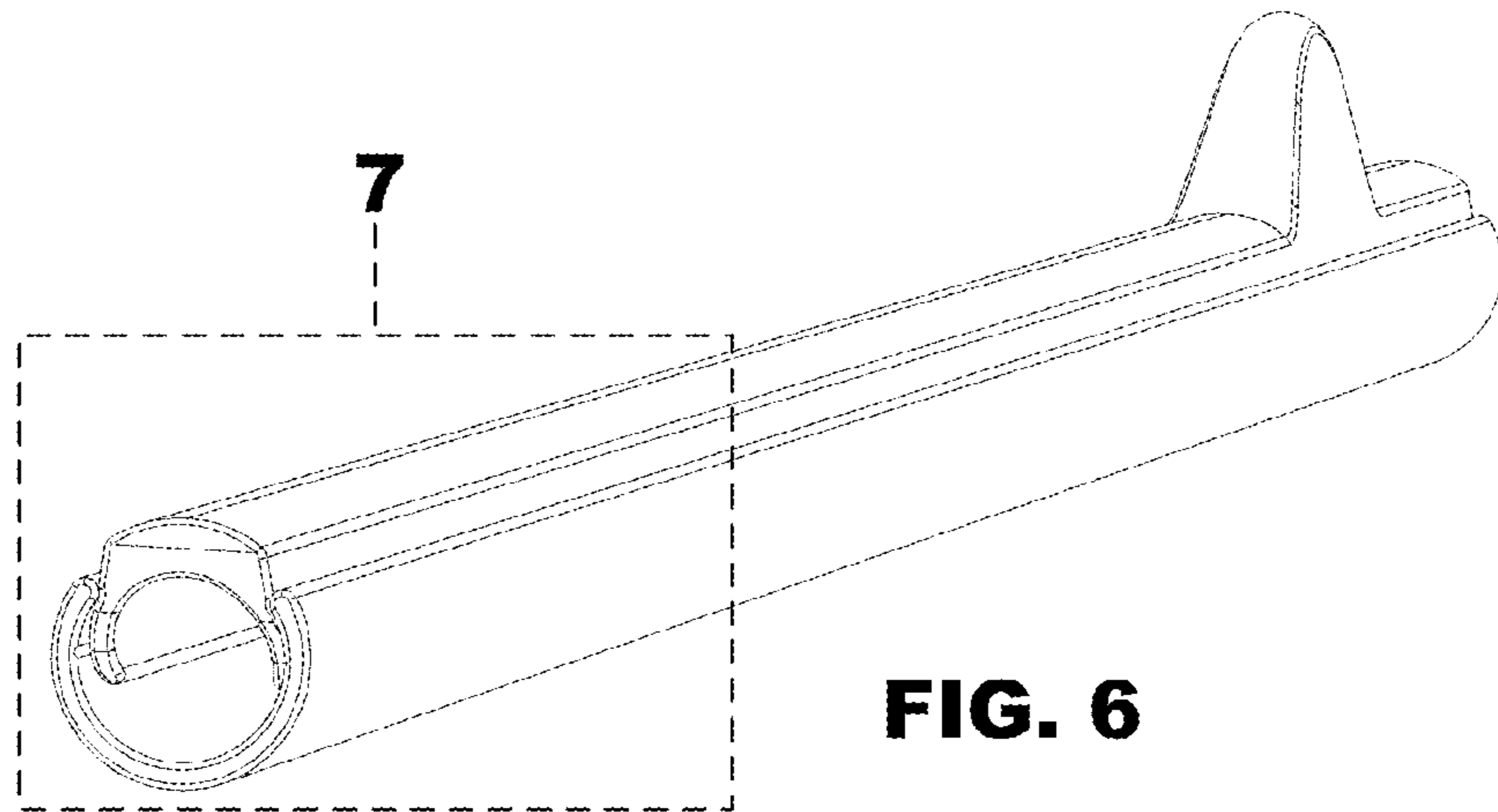
**FIG. 3**



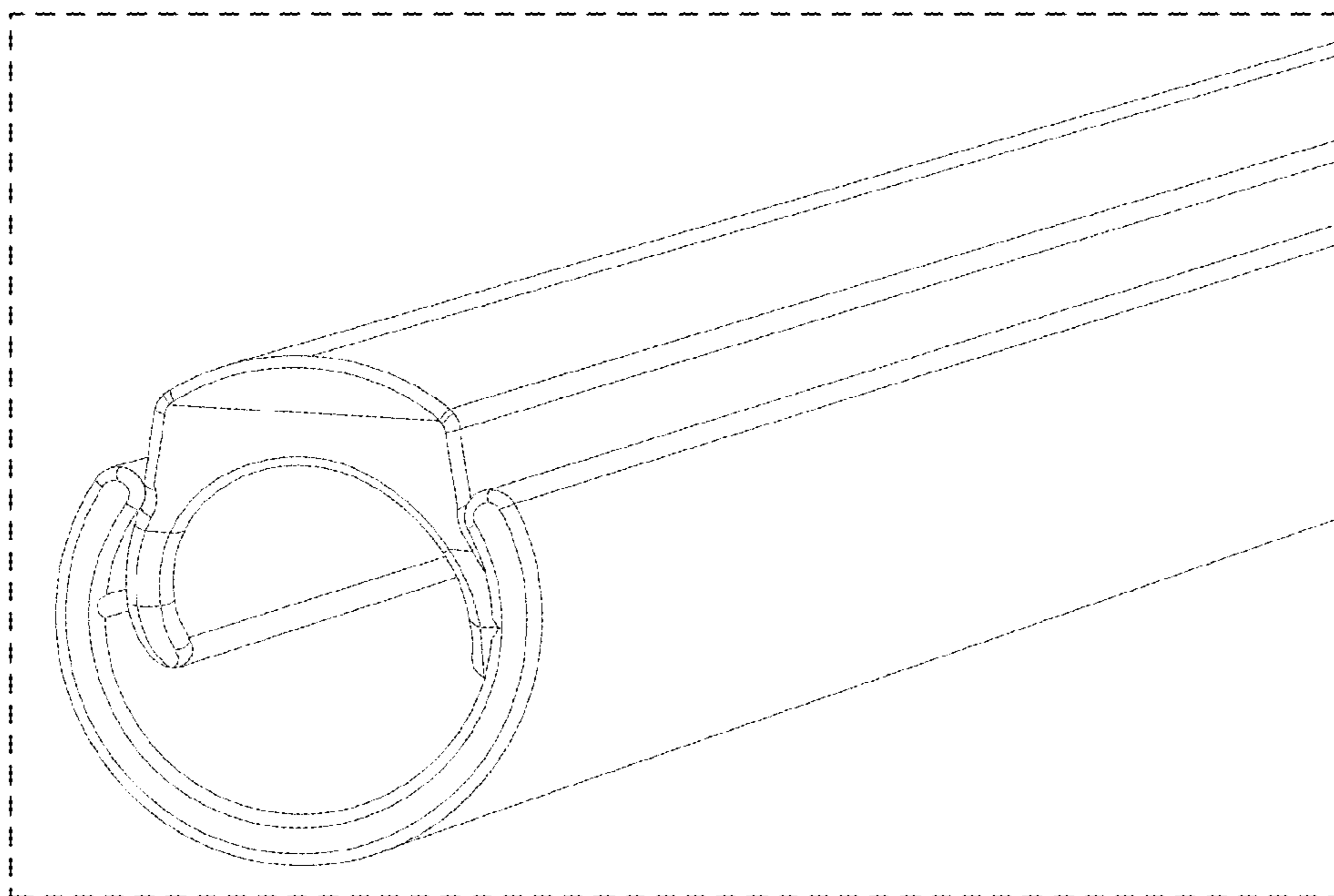
**Fig. 4**



**FIG. 5**

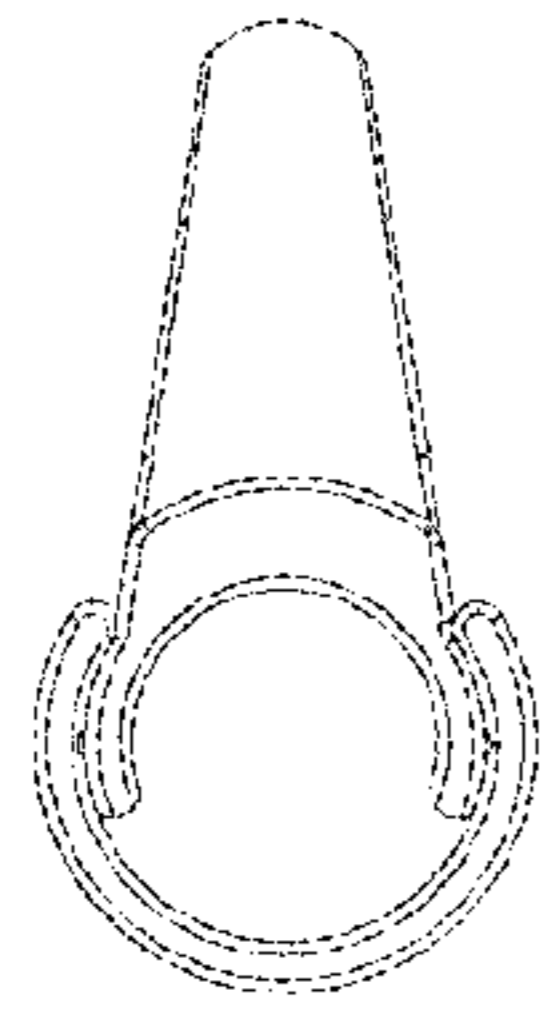


**FIG. 6**

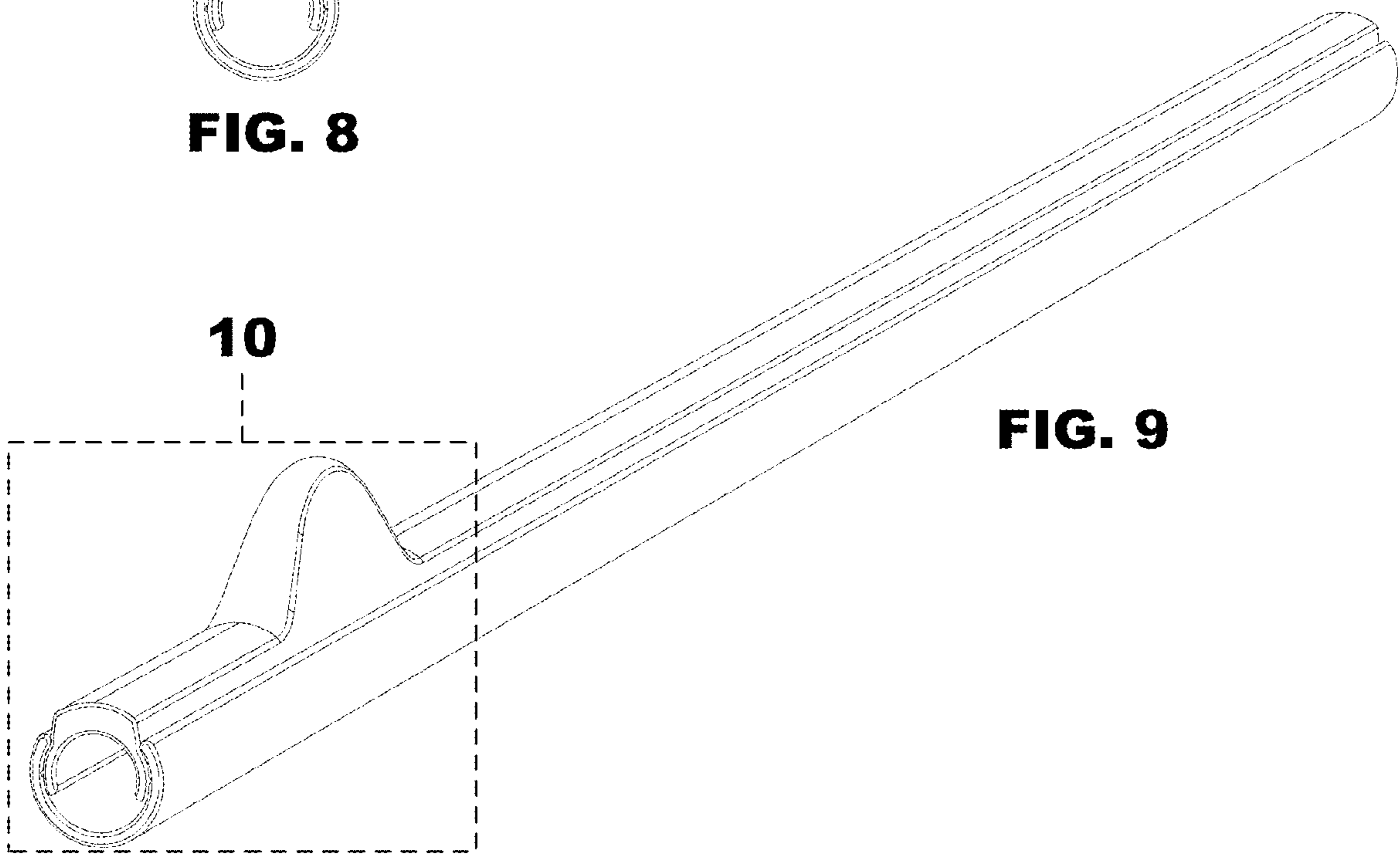


**FIG. 7**



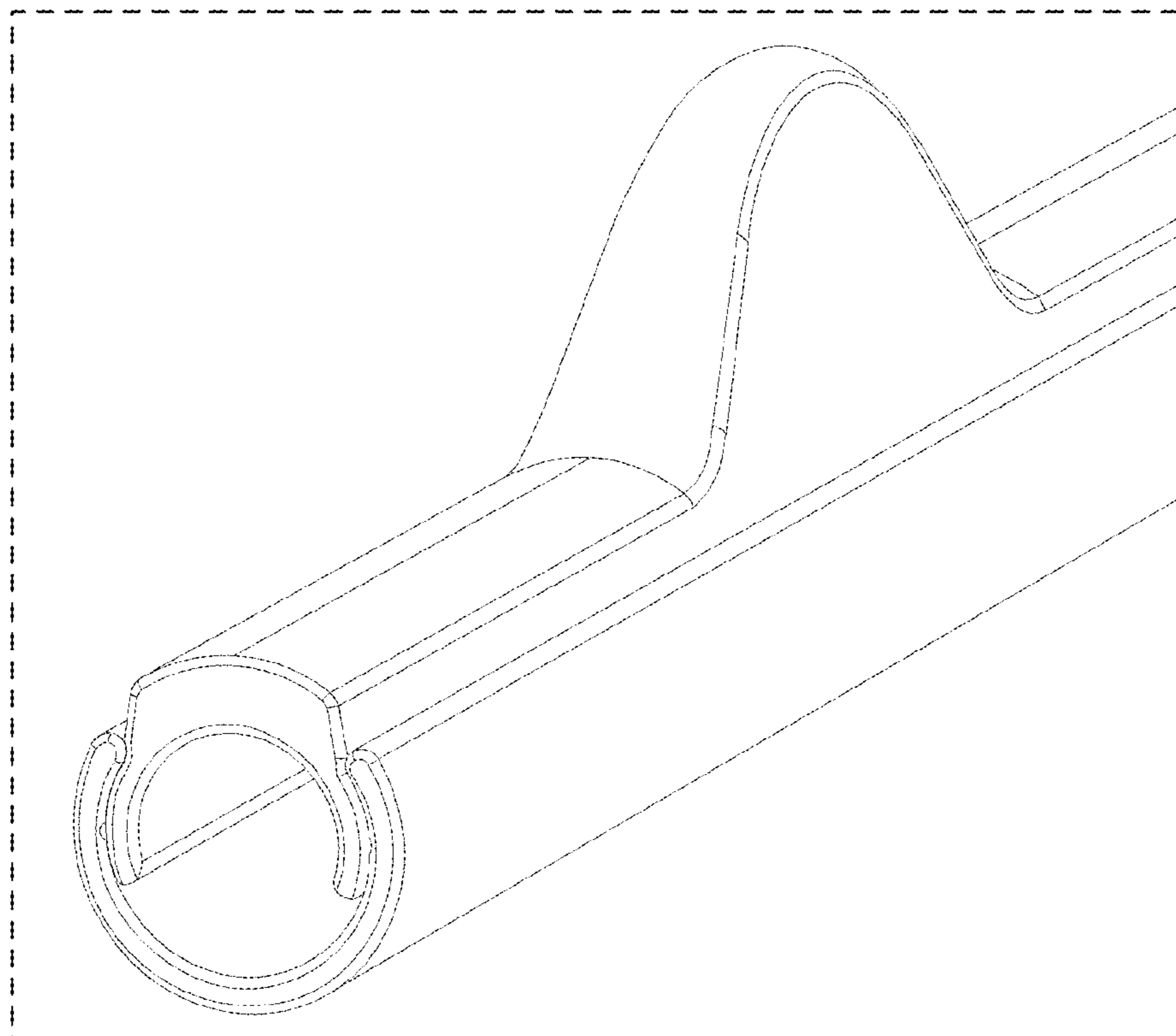


**FIG. 8**

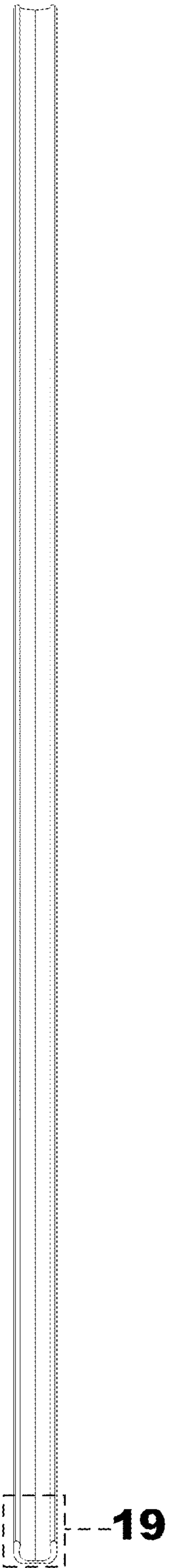


**10**

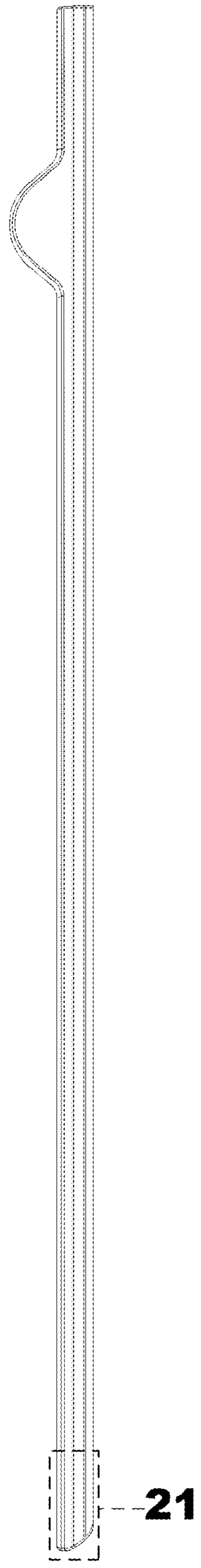
**FIG. 9**



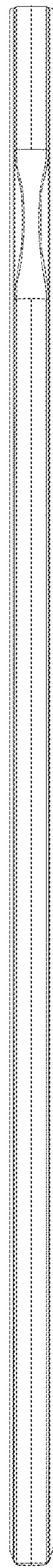
**FIG. 10**



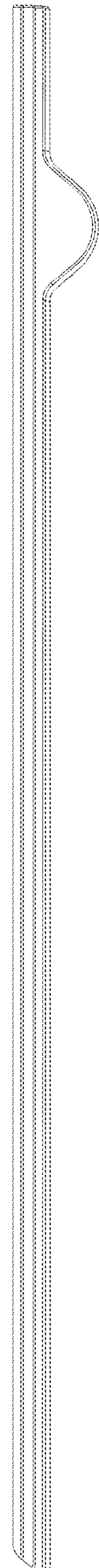
**FIG. 11**



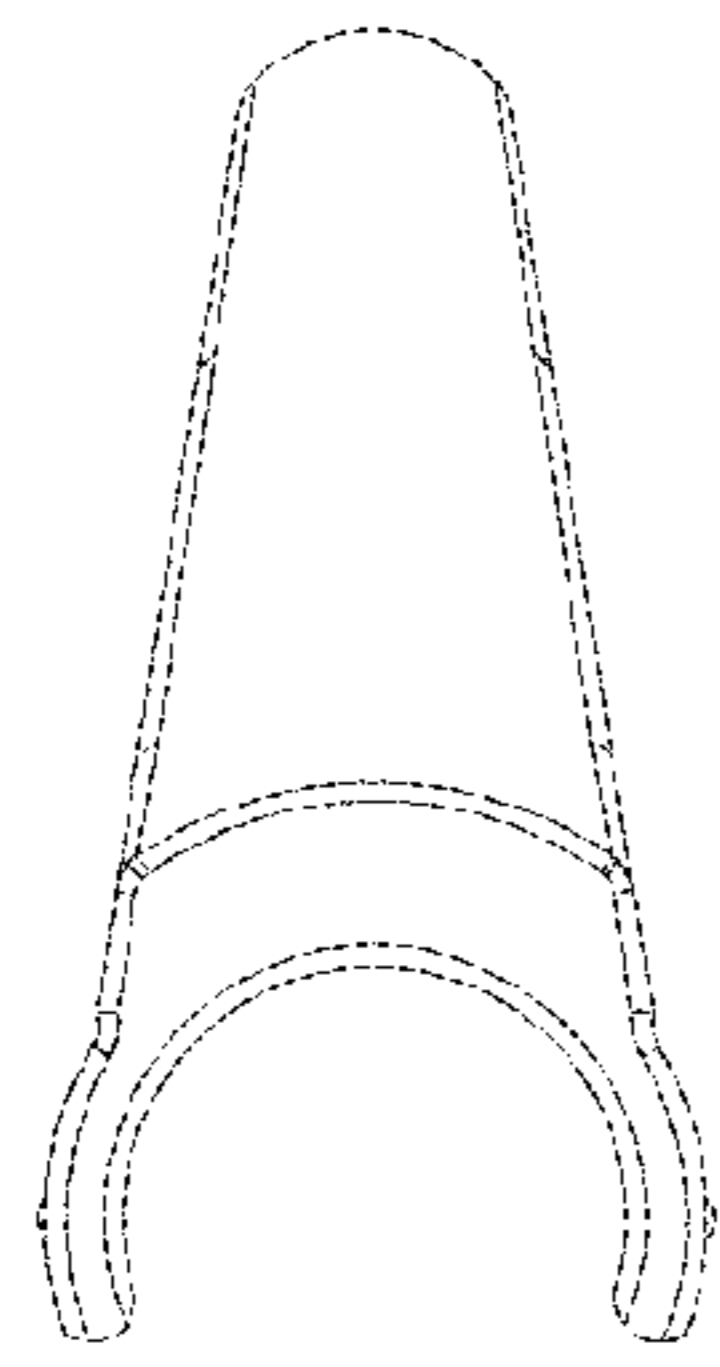
**FIG. 12**



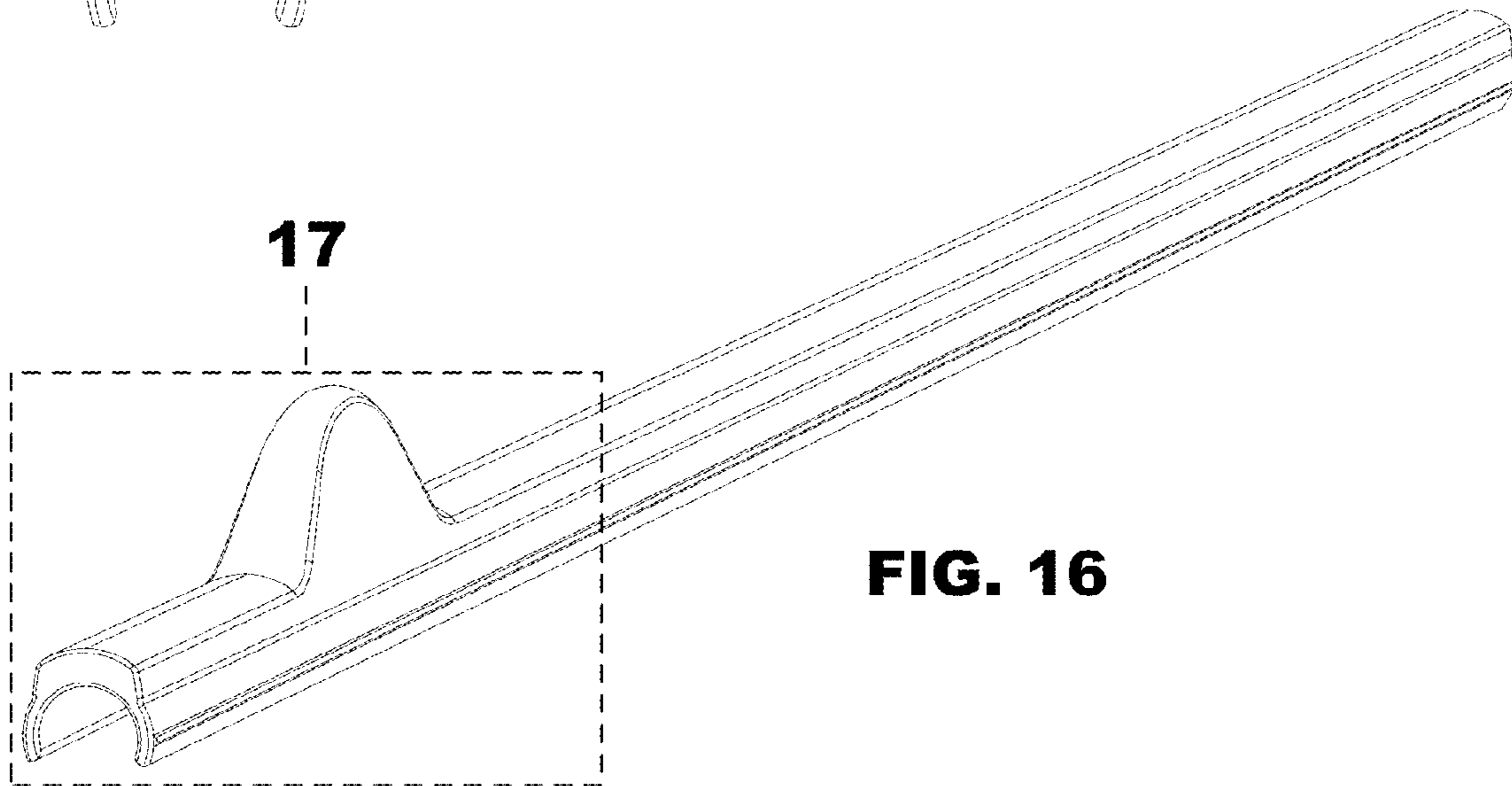
**FIG. 13**



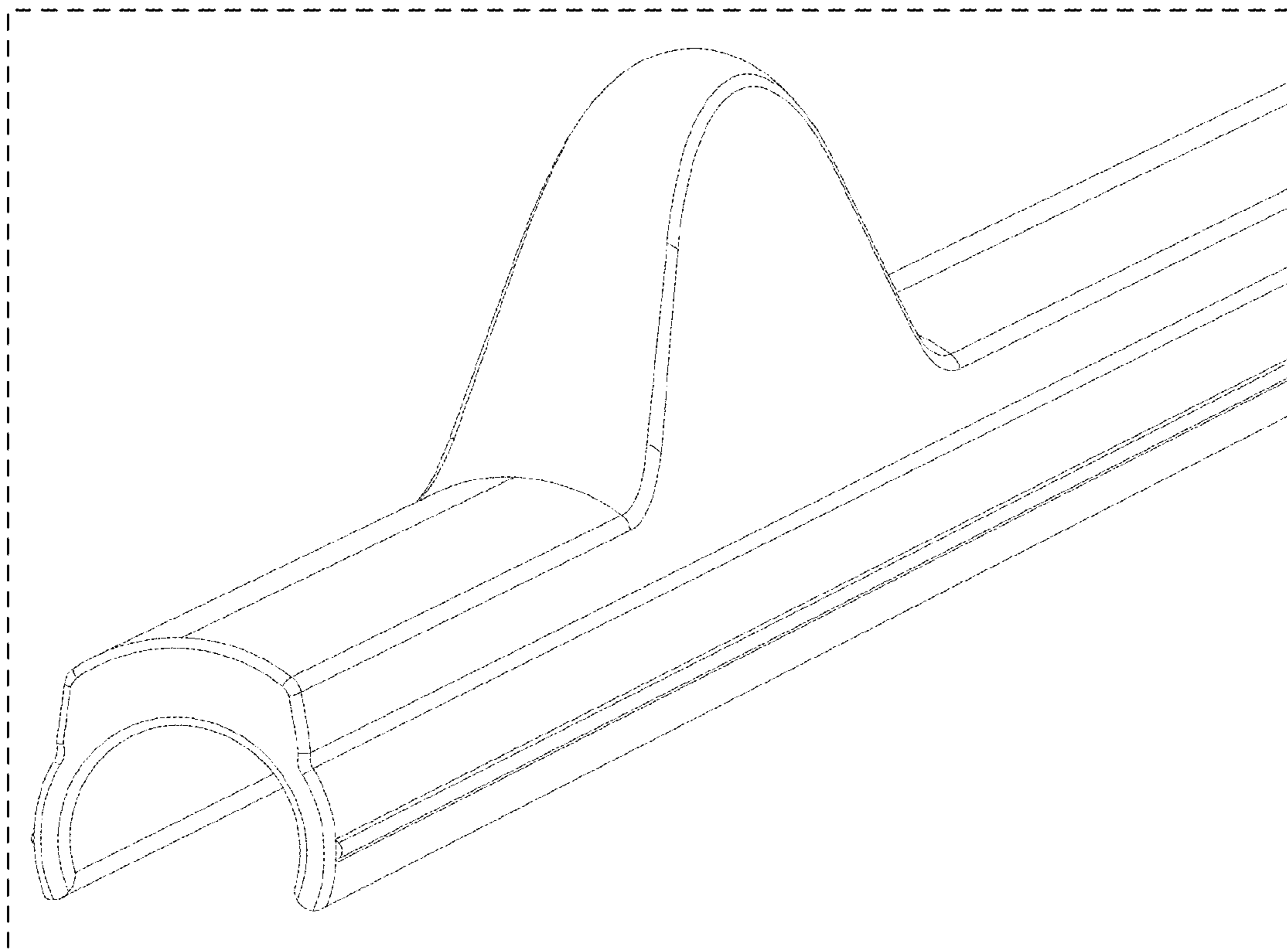
**FIG. 14**



**FIG. 15**

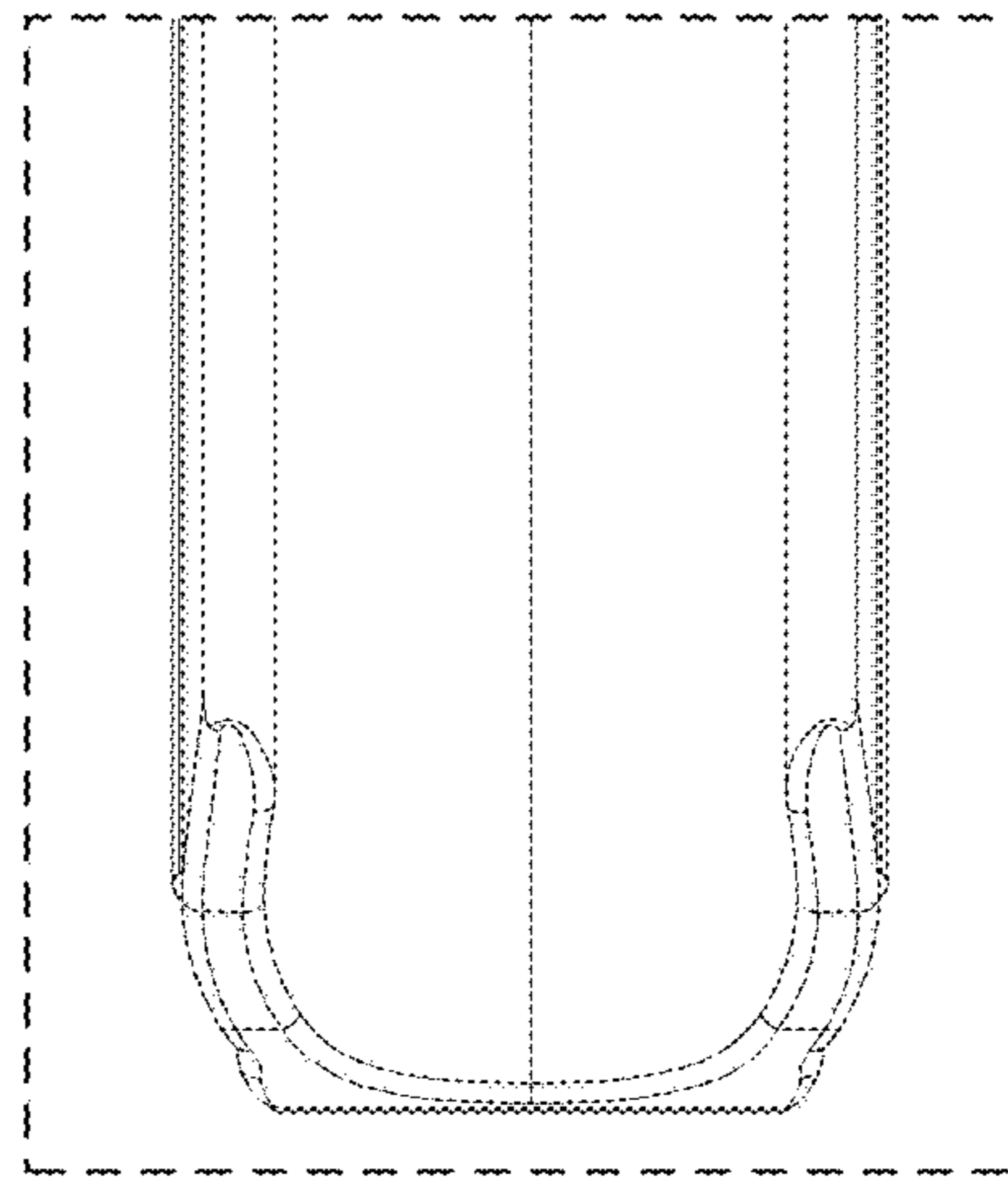


**FIG. 16**

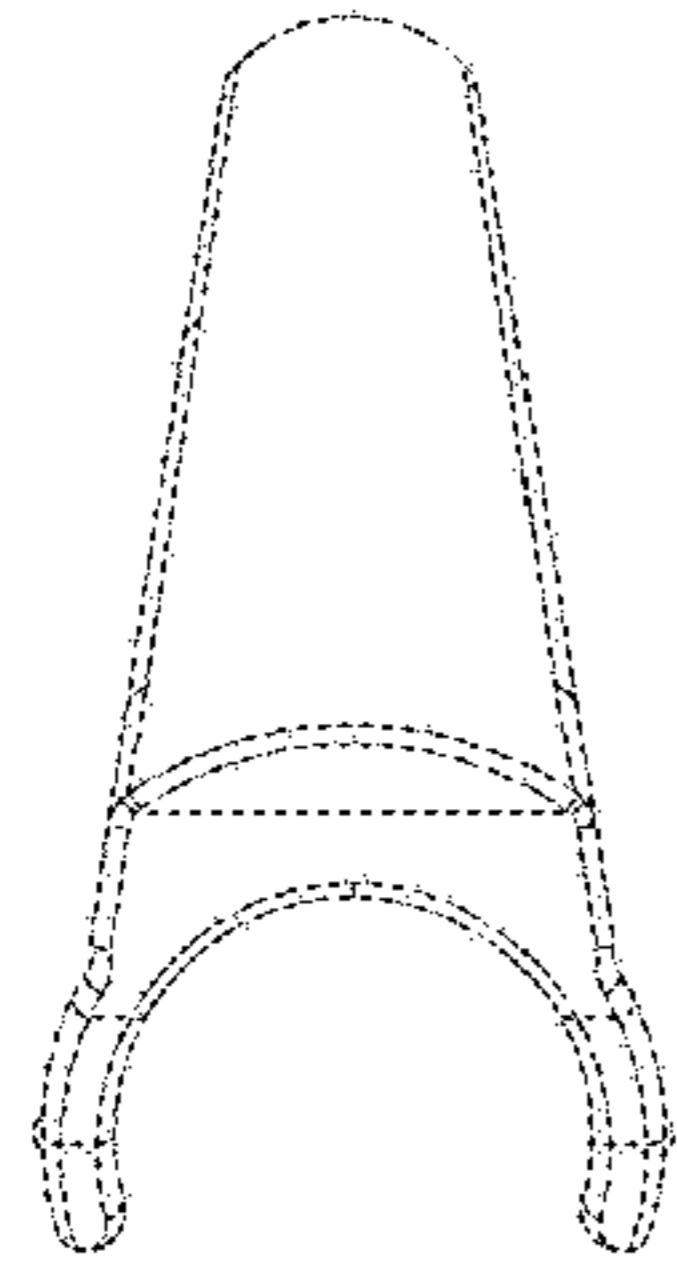


**FIG. 17**

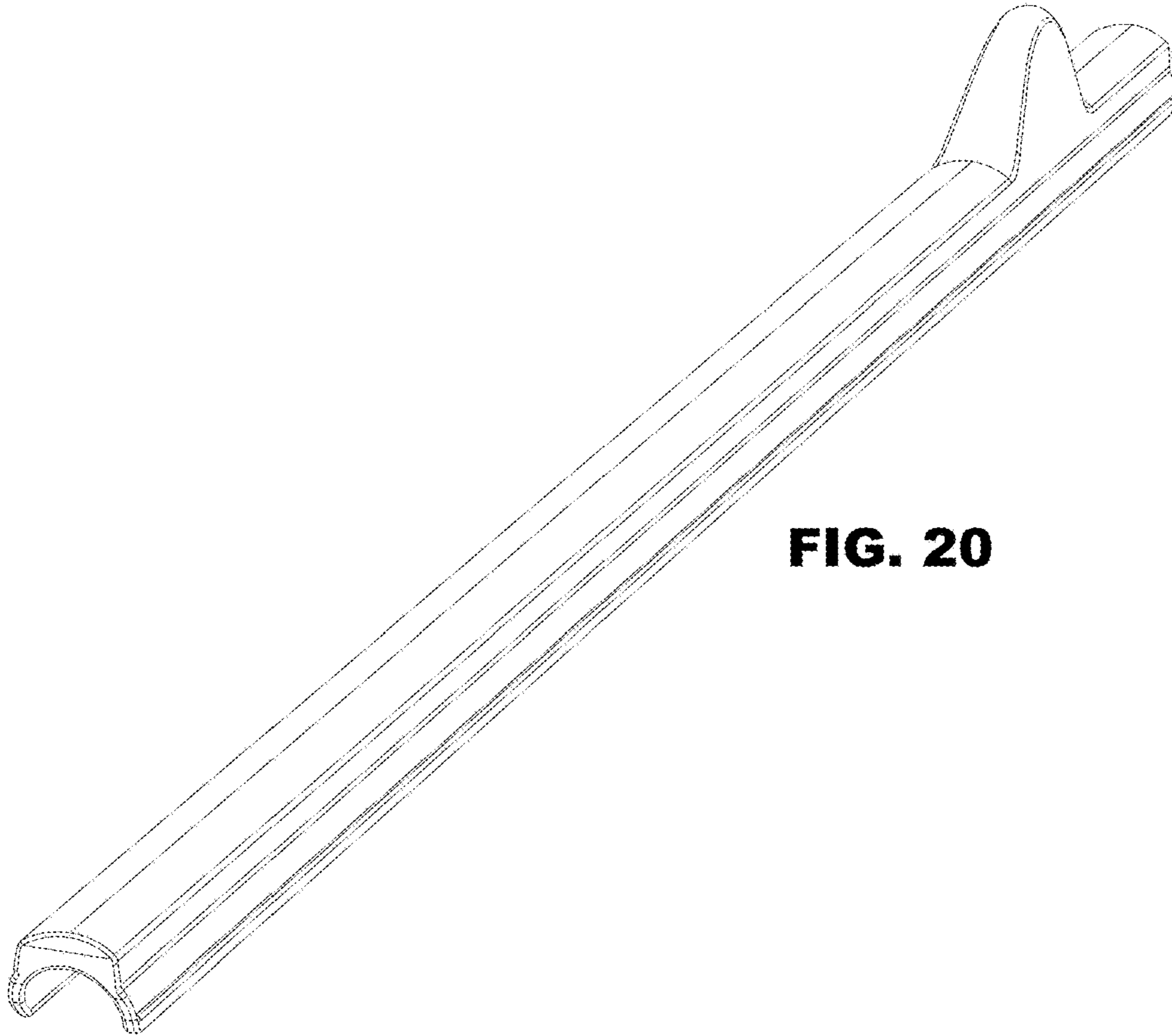
**FIG. 19**



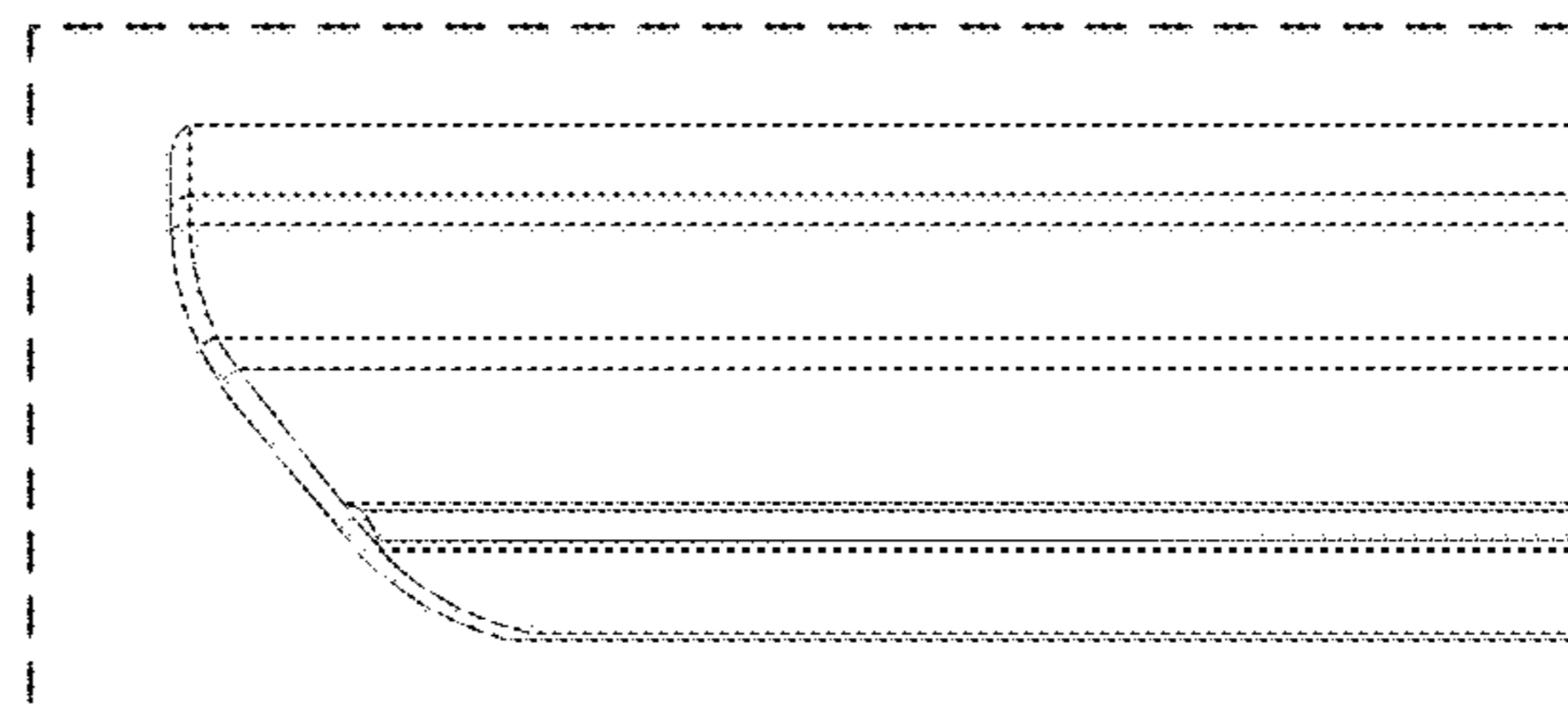
**FIG. 18**



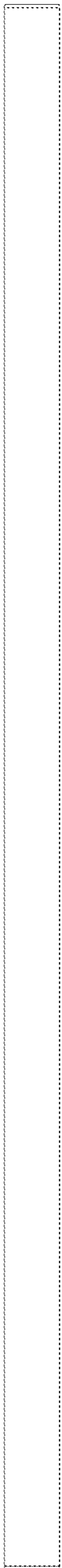
**FIG. 20**



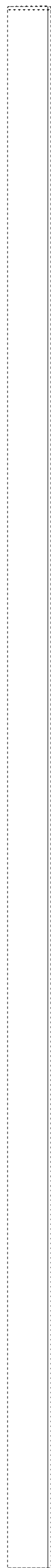
**FIG. 21**



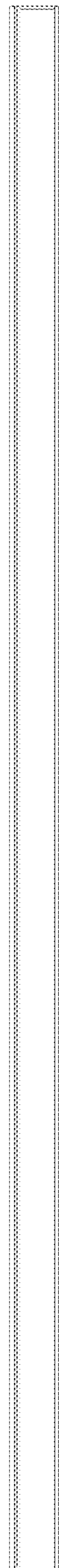




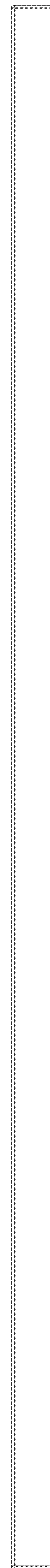
**FIG. 22**



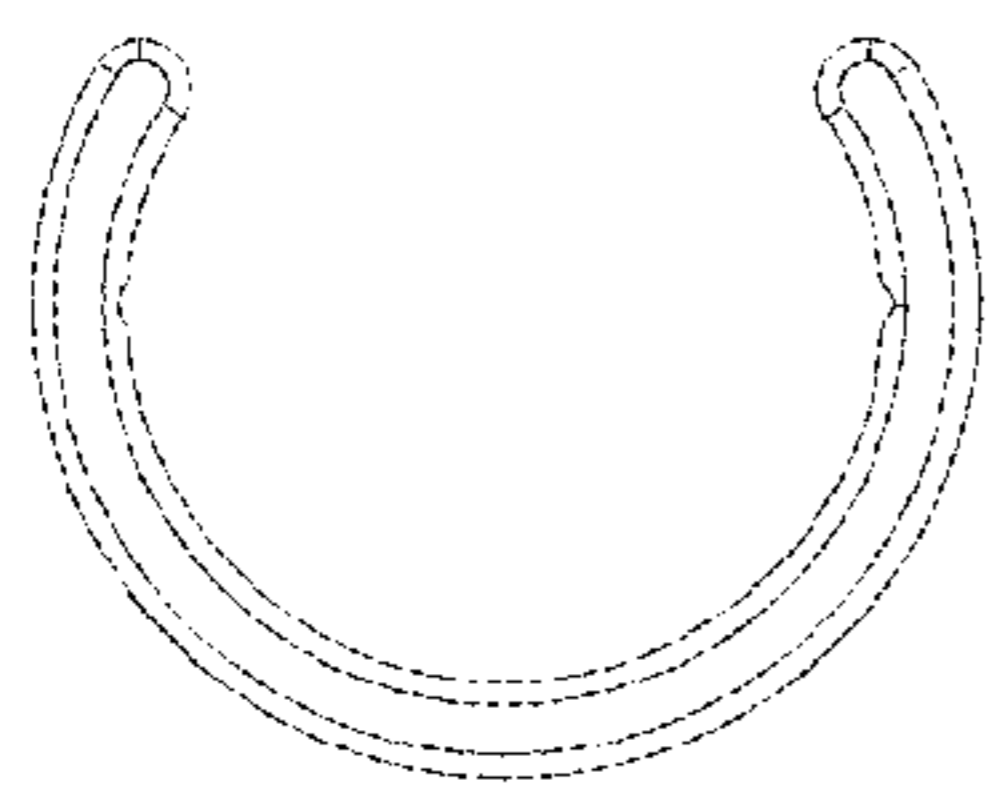
**FIG. 23**



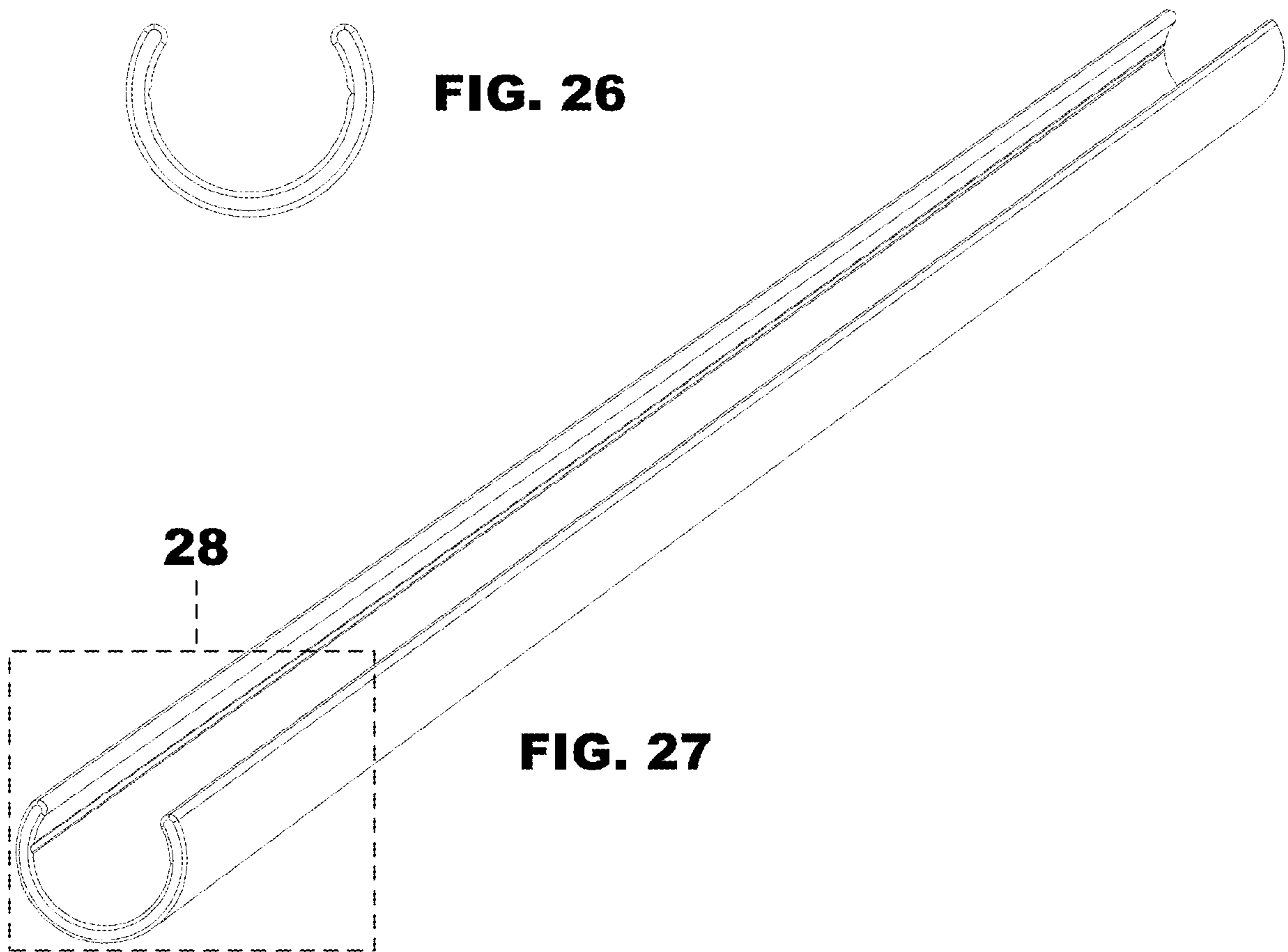
**FIG. 24**



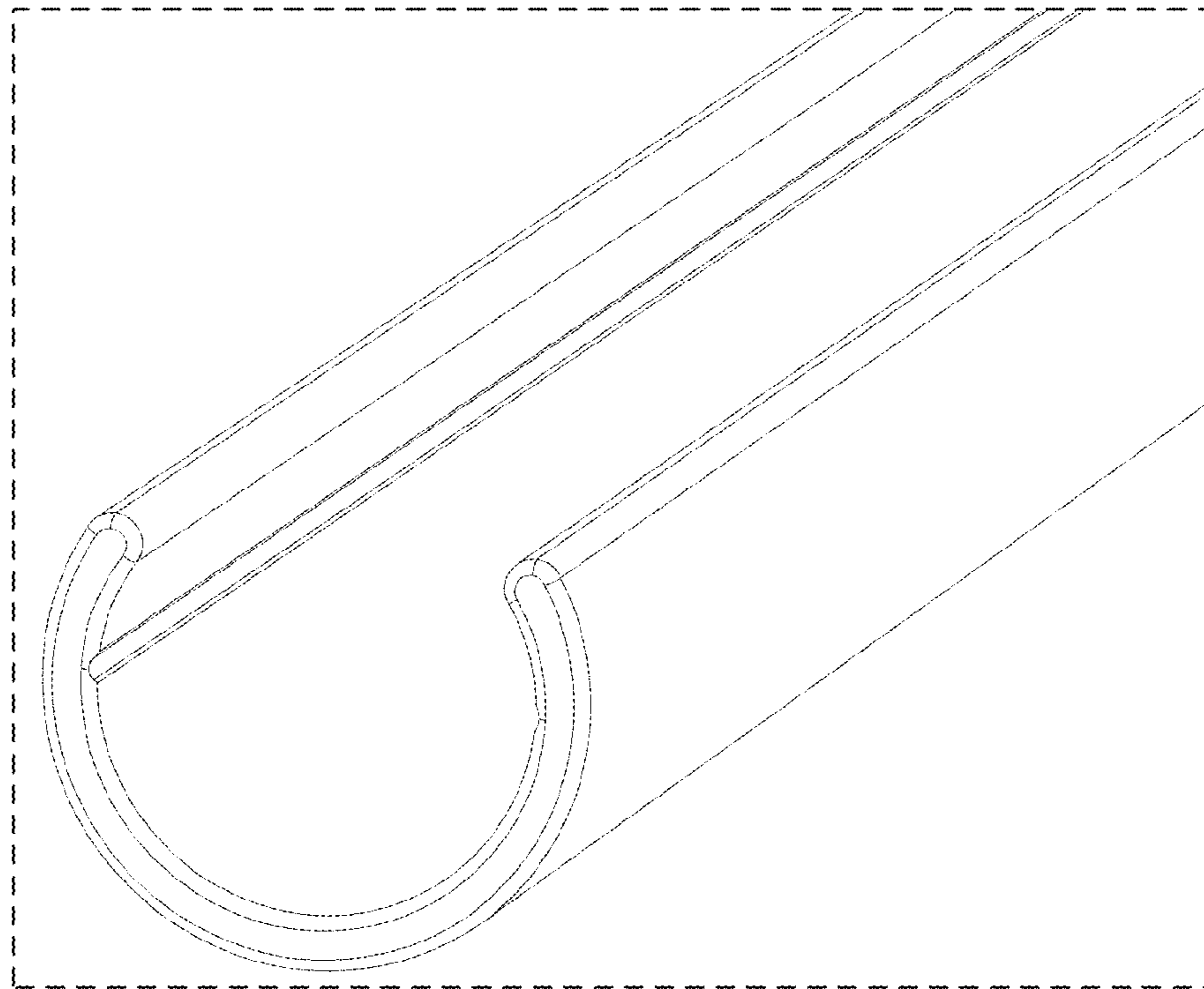
**FIG. 25**



**FIG. 26**



**FIG. 27**



**FIG. 28**