



US00D878840S

(12) **United States Design Patent**
Jewett et al.

(10) **Patent No.:** **US D878,840 S**
(45) **Date of Patent:** **** Mar. 24, 2020**

(54) **POCKETED SPRING COMFORT LAYER**

(71) Applicant: **L&P Property Management Company**, South Gate, CA (US)

(72) Inventors: **Jason V. Jewett**, Carthage, MO (US); **Darrell A. Richmond**, Carthage, MO (US); **Shaw F. Robertson**, Joplin, MO (US)

(73) Assignee: **L&P Property Management Company**, South Gate, CA (US)

(**) Term: **15 Years**

(21) Appl. No.: **29/687,460**

(22) Filed: **Apr. 12, 2019**

Related U.S. Application Data

(63) Continuation of application No. 16/351,621, filed on Mar. 13, 2019.

(51) **LOC (12) Cl.** **06-06**

(52) **U.S. Cl.**
USPC **D6/718.31; D6/606**

(58) **Field of Classification Search**
USPC D6/718, 718.31, 606; D9/424, 425, 426, D9/428

(Continued)

(56) **References Cited**

U.S. PATENT DOCUMENTS

1,406,051 A * 2/1922 Marcus A47C 27/04
5/655.8
3,462,779 A * 8/1969 Thompson A47C 27/063
5/655.8

(Continued)

FOREIGN PATENT DOCUMENTS

EP 1067090 1/2001
EP 1707081 4/2008

(Continued)

Primary Examiner — Cathron C Brooks

(74) *Attorney, Agent, or Firm* — Wood, Herron & Evans, LLP

(57) **CLAIM**

The ornamental design for a pocketed spring comfort layer, as shown and described.

DESCRIPTION

FIG. 1 is a top perspective view of a pocketed spring comfort layer illustrating our new design;
FIG. 2 is a top perspective view thereof, but shown without the environmental subject matter;
FIG. 3 is a front view thereof;
FIG. 4 is a rear view thereof;
FIG. 5 is a right view thereof;
FIG. 6 is a left view thereof;
FIG. 7 is a top view thereof, the bottom view being identical;
FIG. 8 is a top perspective view of another embodiment of the pocketed spring comfort layer;
FIG. 9 is a top perspective view thereof, but shown without the environmental subject matter;
FIG. 10 is a front view thereof;
FIG. 11 is a rear view thereof;
FIG. 12 is a right view thereof;
FIG. 13 is a left view thereof;
FIG. 14 is a top view thereof, the bottom view being identical;
FIG. 15 is a top perspective view of another embodiment of the pocketed spring comfort layer;
FIG. 16 is a top perspective view thereof, but shown without the environmental subject matter;
FIG. 17 is a front view thereof;
FIG. 18 is a rear view thereof;
FIG. 19 is a right view thereof;
FIG. 20 is a left view thereof;
FIG. 21 is a top view thereof, the bottom view being identical;
FIG. 22 is a top perspective view of another embodiment of the pocketed spring comfort layer;
FIG. 23 is a top perspective view thereof, but shown without the environmental subject matter;
FIG. 24 is a front view thereof;

(Continued)

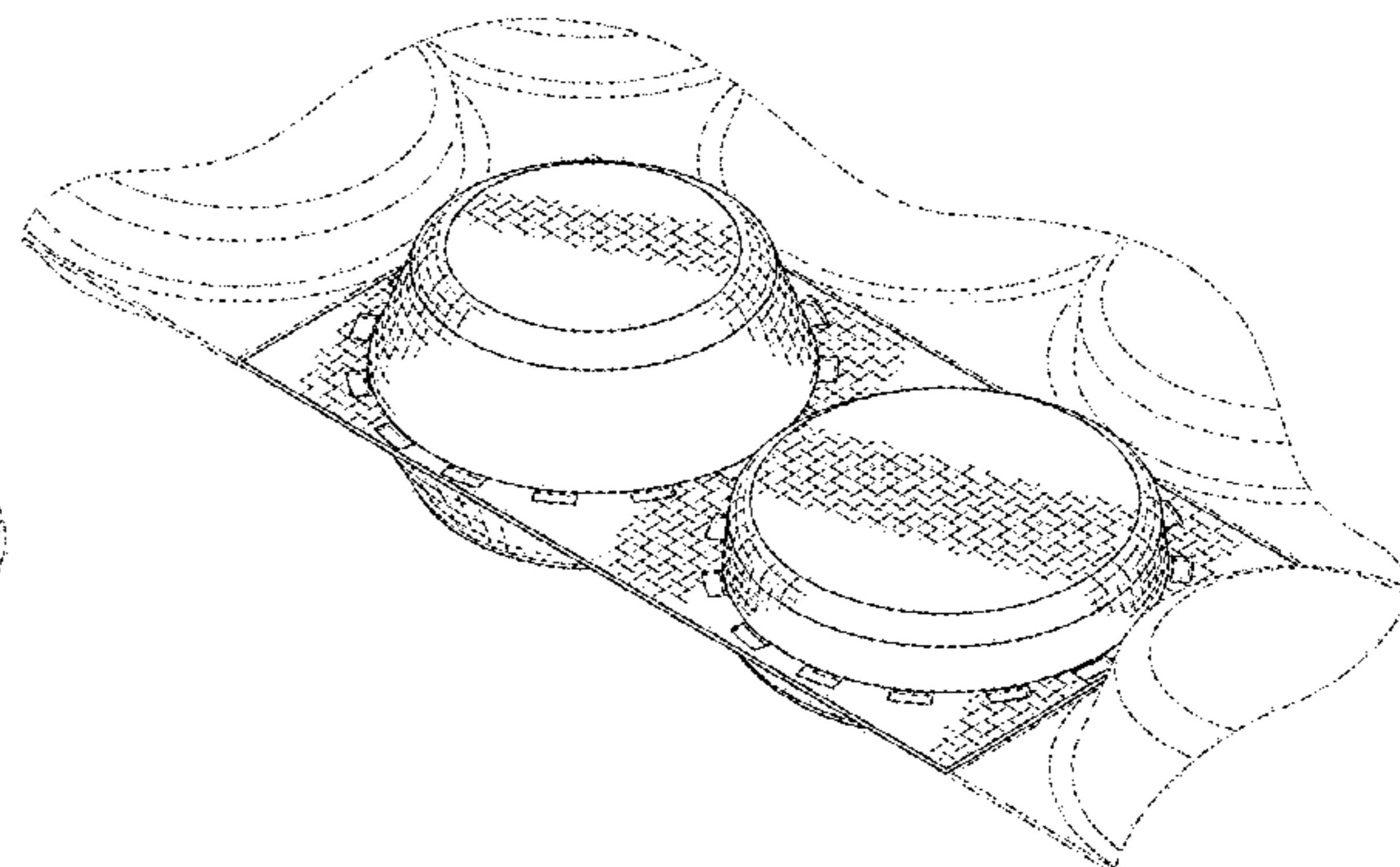
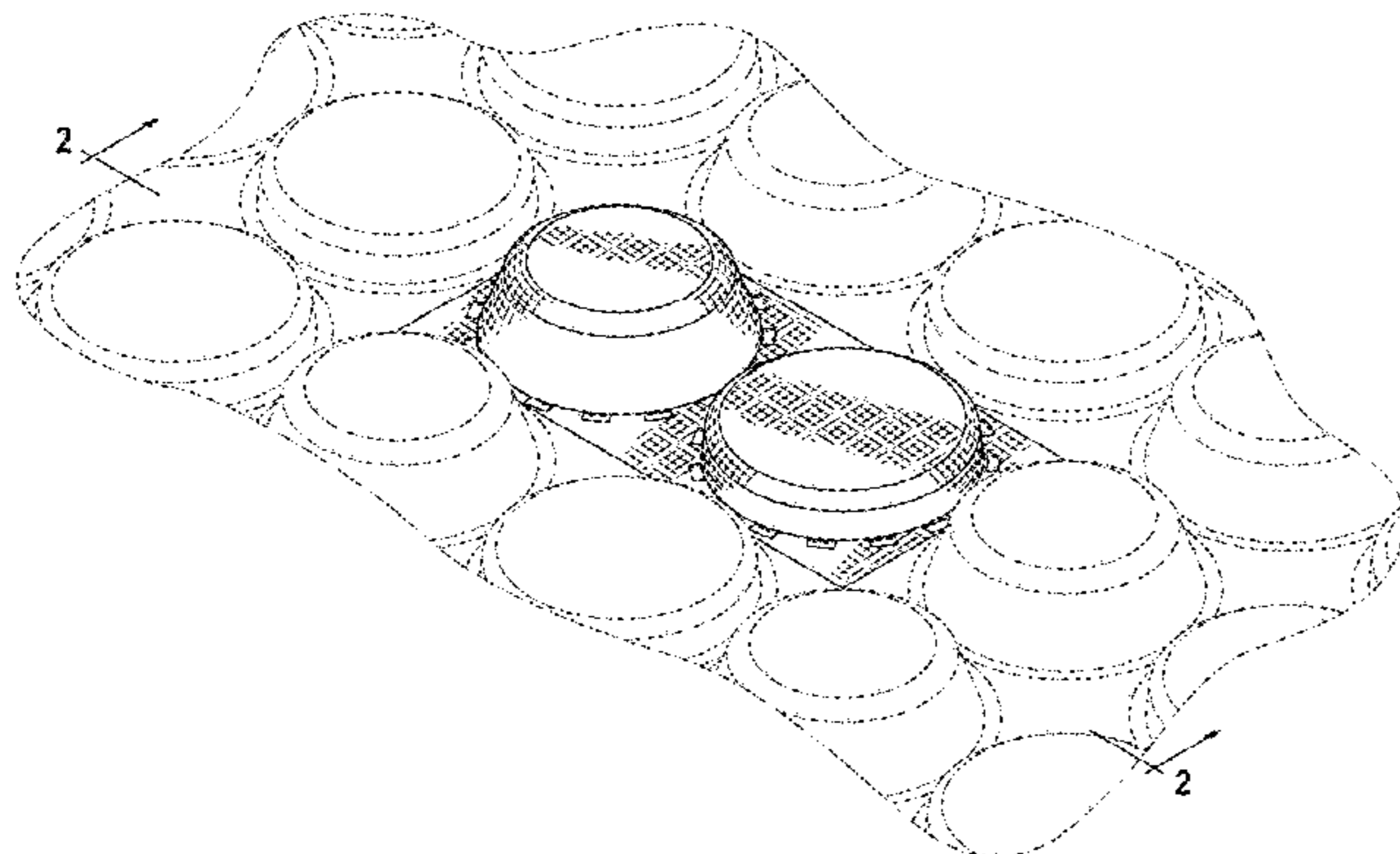


FIG. 25 is a rear view thereof;
 FIG. 26 is a right view thereof;
 FIG. 27 is a left view thereof; and,
 FIG. 28 is a top view thereof, the bottom view being identical.

Any elements shown in broken lines form no part of the claimed invention and are instead included to show environmental aspects of the claimed invention.

1 Claim, 20 Drawing Sheets

(58) **Field of Classification Search**

CPC A47C 27/04; A47C 27/053; A47C 27/06;
 A47C 27/063; A47C 27/064; A47C
 27/066

See application file for complete search history.

(56) **References Cited**

U.S. PATENT DOCUMENTS

4,234,983	A	11/1980	Stumpf	
4,451,946	A	6/1984	Stumpf	
4,485,506	A	12/1984	Stumpf et al.	
4,573,741	A	3/1986	Kirchner-Carl	
4,574,099	A	3/1986	Nixon	
4,594,278	A	6/1986	Nixon	
5,105,488	A	4/1992	Hutchinson et al.	
5,438,718	A	8/1995	Kelly et al.	
6,154,908	A	12/2000	Wells	
6,319,864	B1	11/2001	Hannigan et al.	
6,447,874	B2	9/2002	Antinori et al.	
6,537,930	B1	3/2003	Middlesworth et al.	
D472,805	S *	4/2003	Jowett	D9/426
D473,138	S *	4/2003	Jowett	D9/425
D473,139	S *	4/2003	Jowett	D9/425
6,591,436	B2 *	7/2003	de Santis	B65B 9/073 5/655.8
6,591,438	B1	7/2003	Edling	
6,598,251	B2	7/2003	Habboub et al.	
6,602,809	B1	8/2003	Cabrey	
D479,127	S *	9/2003	Jowett	D9/425
6,706,225	B2	3/2004	Cabrey	
6,826,796	B1	12/2004	Mossbeck	
6,862,763	B2	3/2005	Mossbeck et al.	
6,883,196	B2	4/2005	Barber	
D528,340	S *	9/2006	Contreras	D6/606
7,410,030	B2	8/2008	Fusiki et al.	
D589,342	S *	3/2009	Maslowski	D9/428
7,622,406	B2	11/2009	Holland et al.	
7,636,972	B2	12/2009	Mossbeck et al.	
D618,547	S *	6/2010	Manning	D9/425
7,788,952	B2	9/2010	Morrison	
7,820,570	B2	10/2010	Holland et al.	
7,828,029	B2	11/2010	Holland et al.	
7,877,964	B2	2/2011	Spinks et al.	
8,011,046	B2	9/2011	Stjerna	
8,087,114	B2	1/2012	Lundevall	
8,136,187	B2	3/2012	Mossbeck et al.	

8,157,051	B2	4/2012	Marcel et al.	
8,322,487	B1	12/2012	Kitchen et al.	
8,464,830	B2	6/2013	Ishikawa et al.	
8,474,078	B2	7/2013	Mossbeck	
8,574,700	B2	11/2013	Hattori	
8,695,757	B2	4/2014	Duval et al.	
D724,863	S *	3/2015	Secker	D6/601
9,133,615	B2	9/2015	Bischoff et al.	
9,635,952	B1	5/2017	Anthony et al.	
9,943,173	B2	4/2018	Krtek et al.	
9,968,202	B2	5/2018	Long	
D850,161	S *	6/2019	Ping	D6/606
10,405,665	B2 *	9/2019	Long	A47G 9/00
2002/0025747	A1	2/2002	Rock et al.	
2003/0009831	A1	1/2003	Giori et al.	
2003/0104735	A1	6/2003	Rock et al.	
2004/0010853	A1	1/2004	Muci et al.	
2005/0273938	A1	12/2005	Metzger et al.	
2007/0044243	A1	3/2007	Metzger	
2007/0137926	A1	6/2007	Albin, Jr. et al.	
2007/0289069	A1	12/2007	Wells	
2009/0211028	A1	8/2009	Richmond et al.	
2009/0222985	A1	9/2009	Richmond et al.	
2009/0265857	A1 *	10/2009	Habegger	A61G 7/05715 5/709
2009/0298374	A1	12/2009	Delmas	
2010/0212090	A1	8/2010	Stjerna	
2010/0255270	A1	10/2010	Stuebiger	
2011/0014406	A1	1/2011	Coleman et al.	
2011/0113551	A1	5/2011	Lin	
2011/0314613	A1	12/2011	Haffner et al.	
2012/0286460	A1 *	11/2012	Tyree	A47C 27/064 267/91
2013/0029550	A1	1/2013	Seth et al.	
2013/0174350	A1	7/2013	Allman et al.	
2013/0198941	A1	8/2013	John et al.	
2014/0287643	A1	9/2014	Nozaki et al.	
2014/0373282	A1	12/2014	Mossbeck et al.	
2015/0026893	A1	1/2015	Garrett et al.	
2015/0284901	A1	10/2015	Blackwell, Jr. et al.	
2015/0313371	A1 *	11/2015	Ahlqvist	B68G 9/00 5/720
2015/0359349	A1	12/2015	Eigenmann et al.	
2016/0045034	A1 *	2/2016	Hager	A47C 27/053 5/720
2016/0073789	A1 *	3/2016	Hyltenfeldt	A47C 27/061 5/720
2016/0166080	A1 *	6/2016	Mascull	A61G 7/065 5/722
2019/0142179	A1 *	5/2019	Hegg	A47C 27/064 5/720
2019/0216241	A1 *	7/2019	Codos	A47C 21/046
2019/0239654	A1 *	8/2019	Cohen	A47C 23/0438
2019/0246803	A1 *	8/2019	Jewett	A47C 7/18
2019/0343289	A1 *	11/2019	Long	A47C 7/34

FOREIGN PATENT DOCUMENTS

EP	2789267	10/2014
GB	167025	2/1921
WO	2014023975	2/2014

* cited by examiner

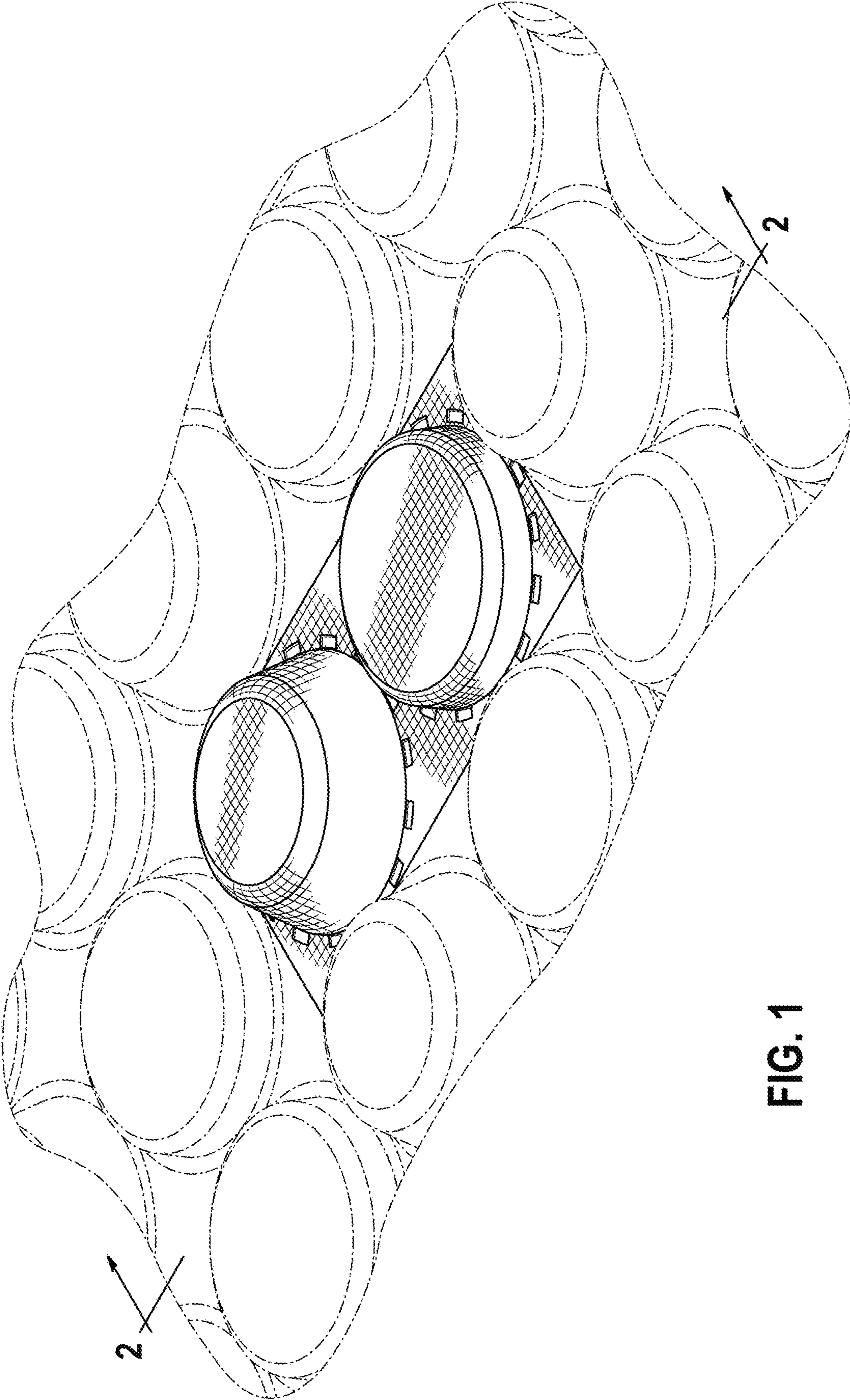


FIG. 1

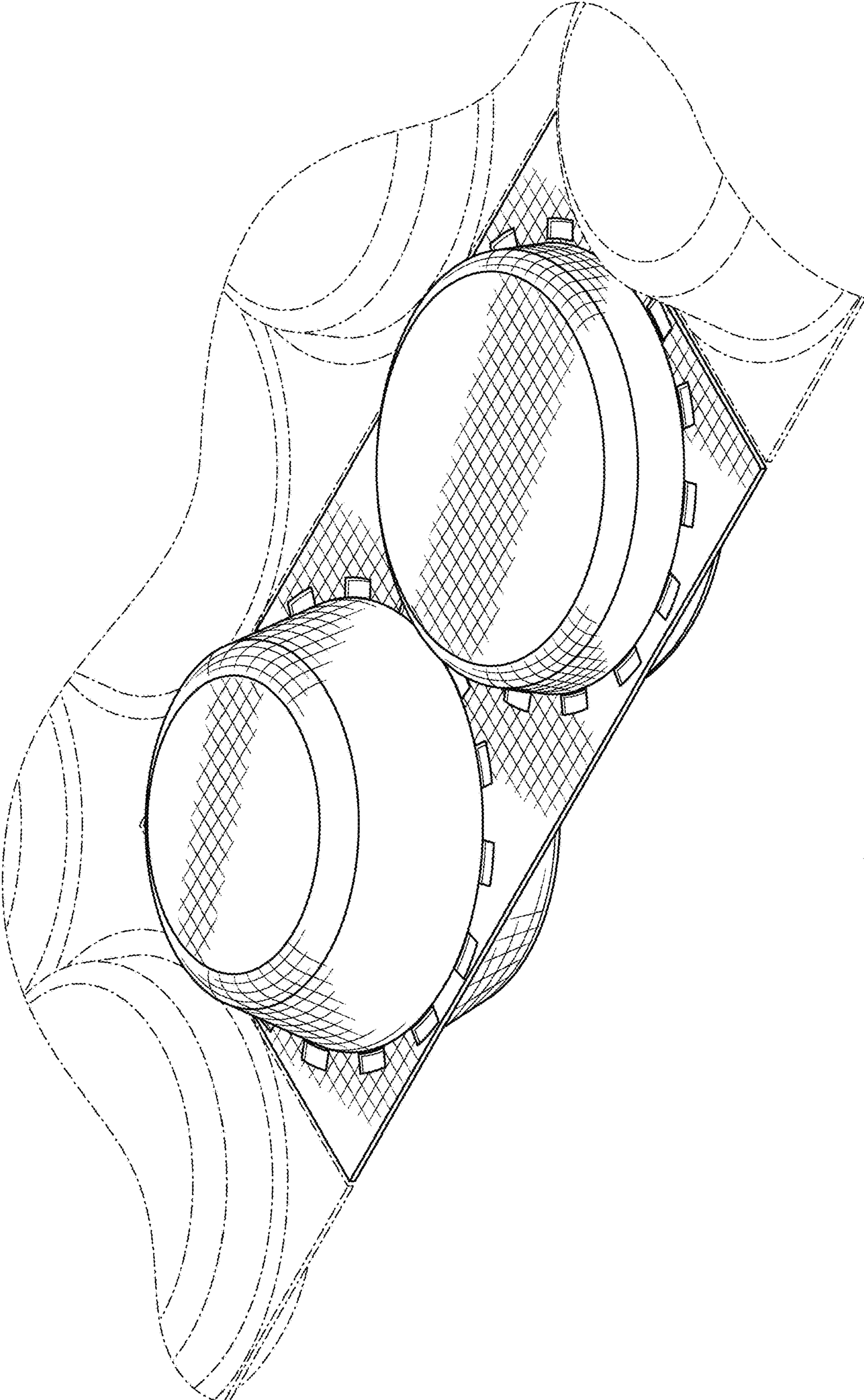


FIG. 2

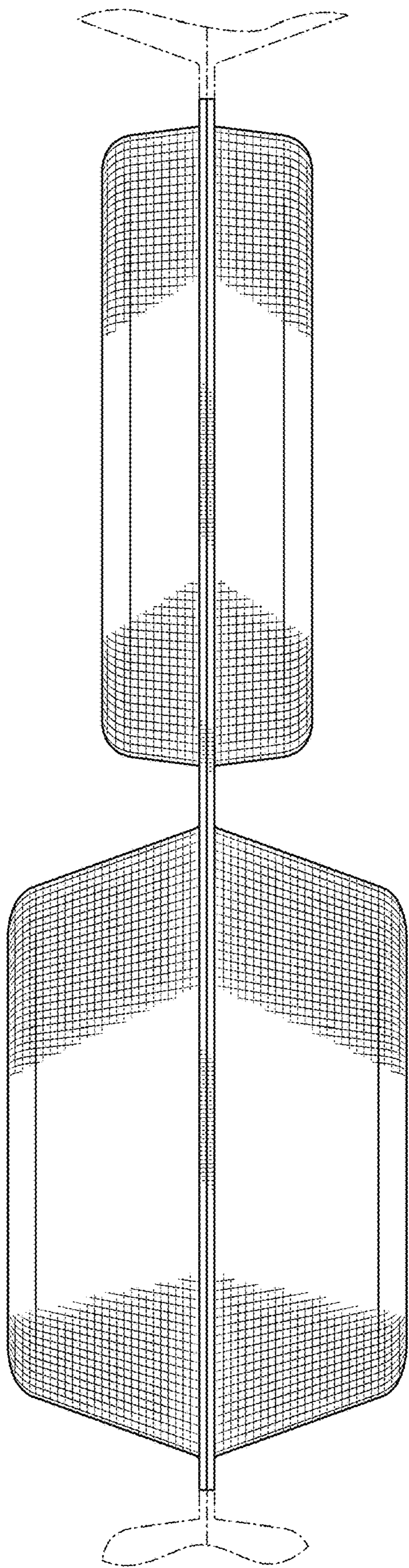


FIG. 3

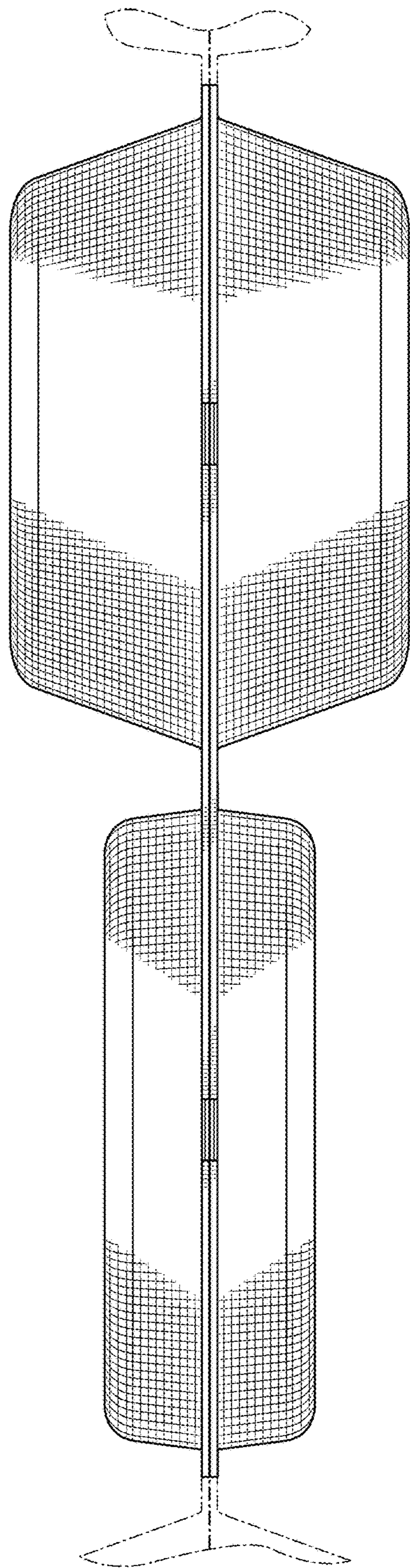


FIG. 4

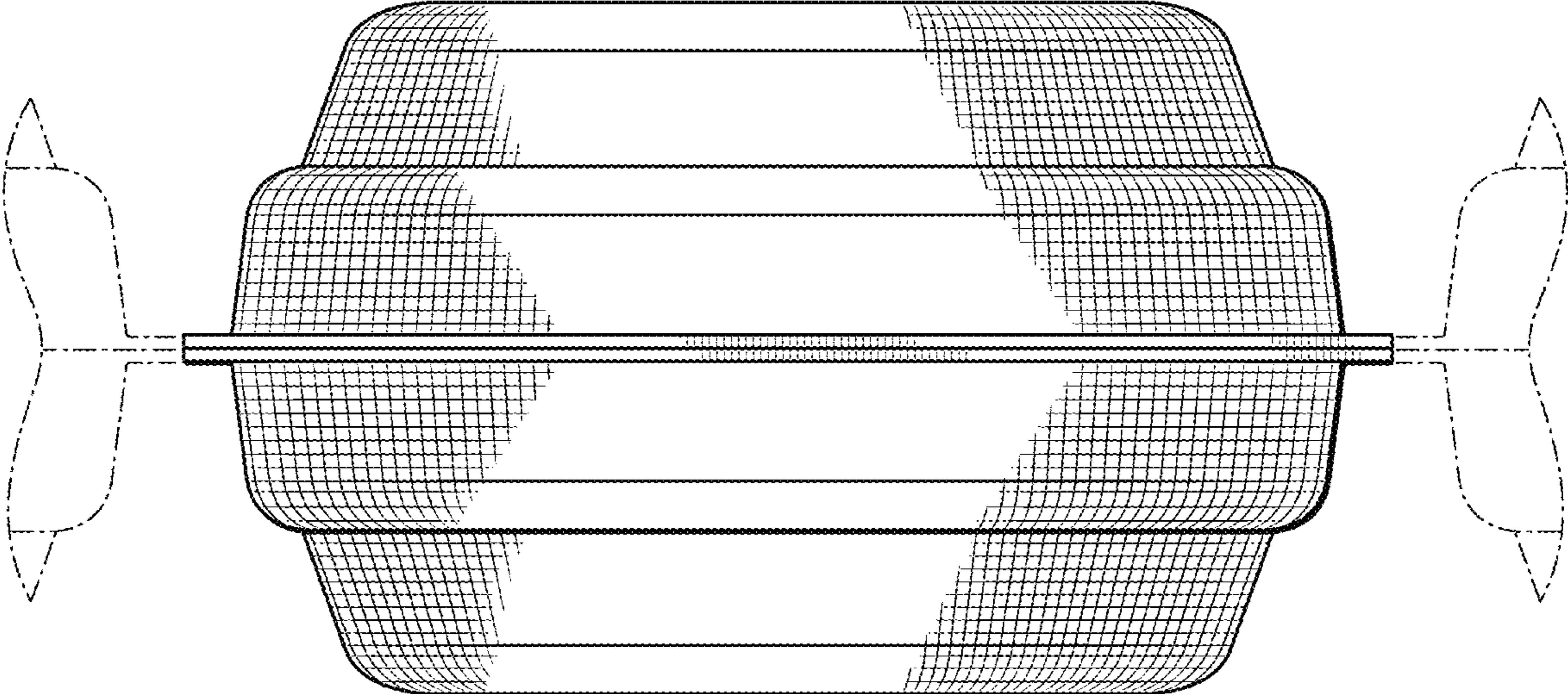


FIG. 5

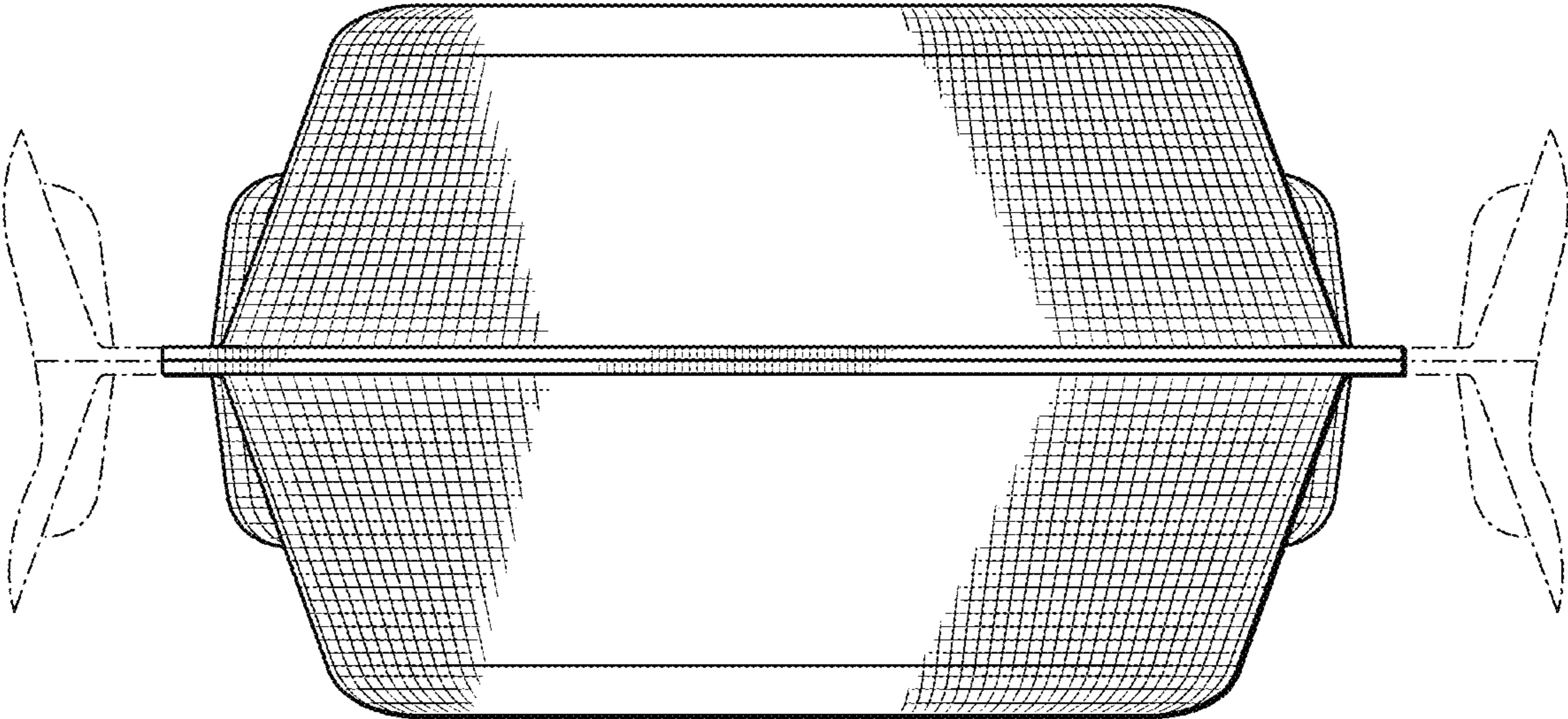


FIG. 6

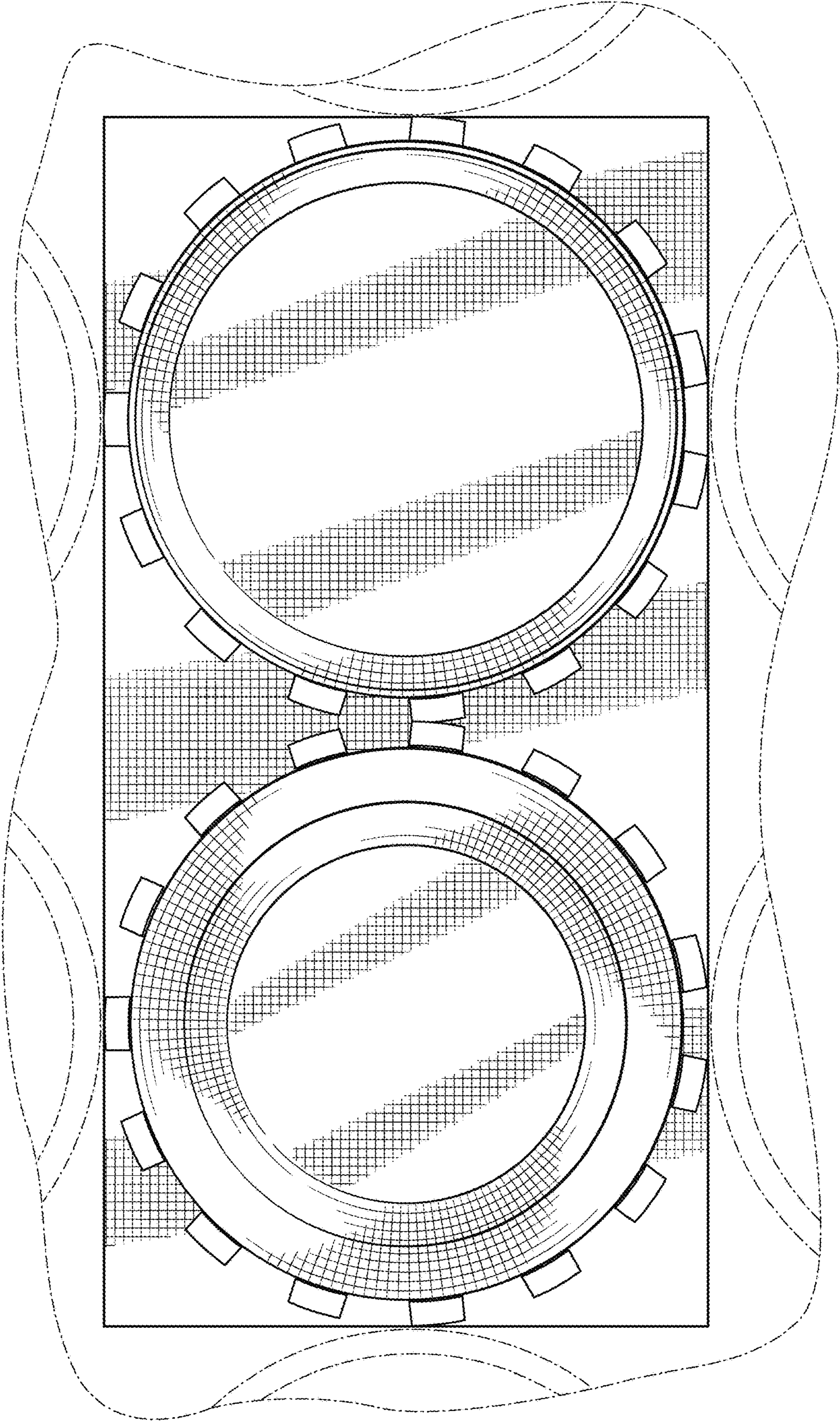


FIG. 7

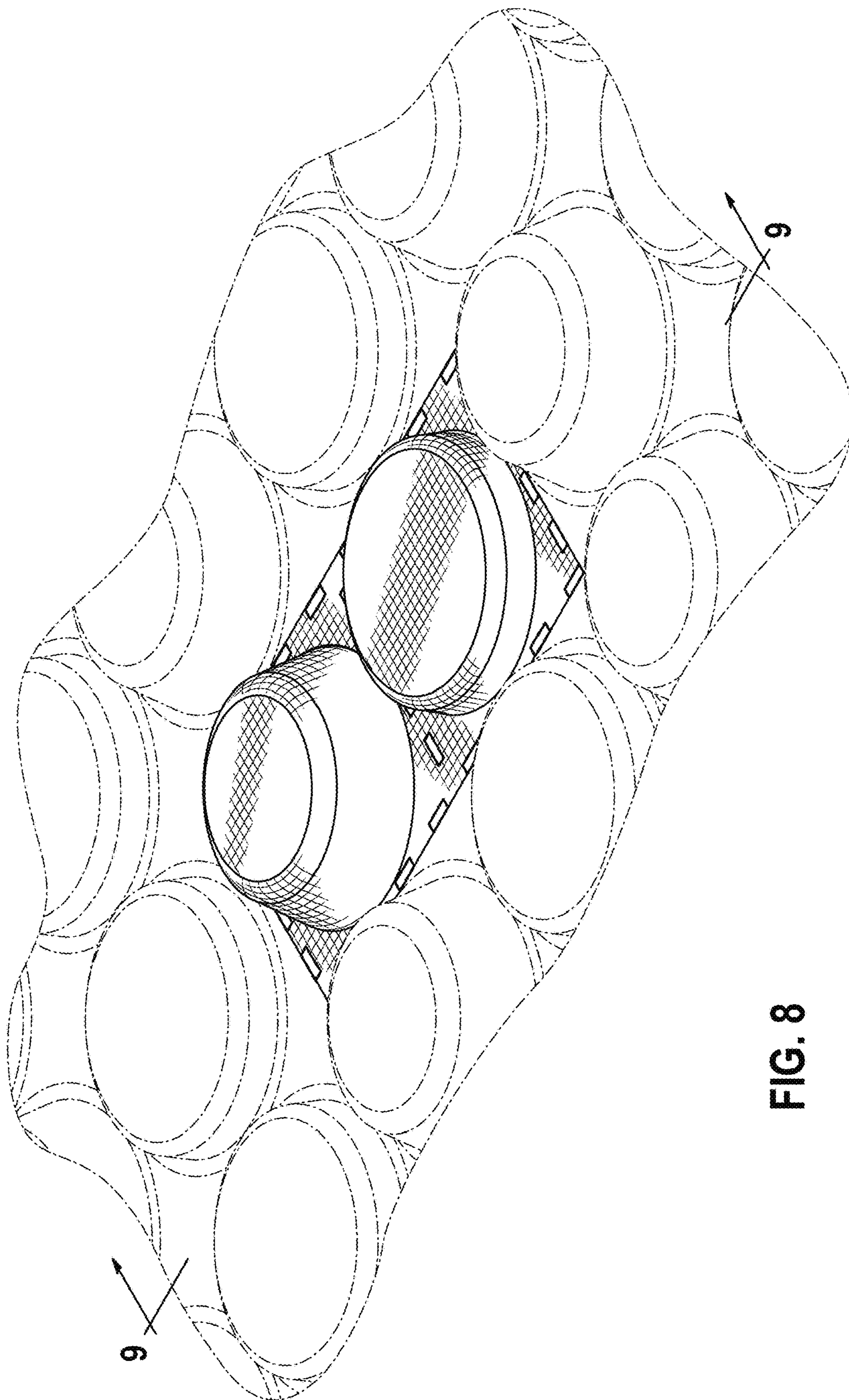


FIG. 8

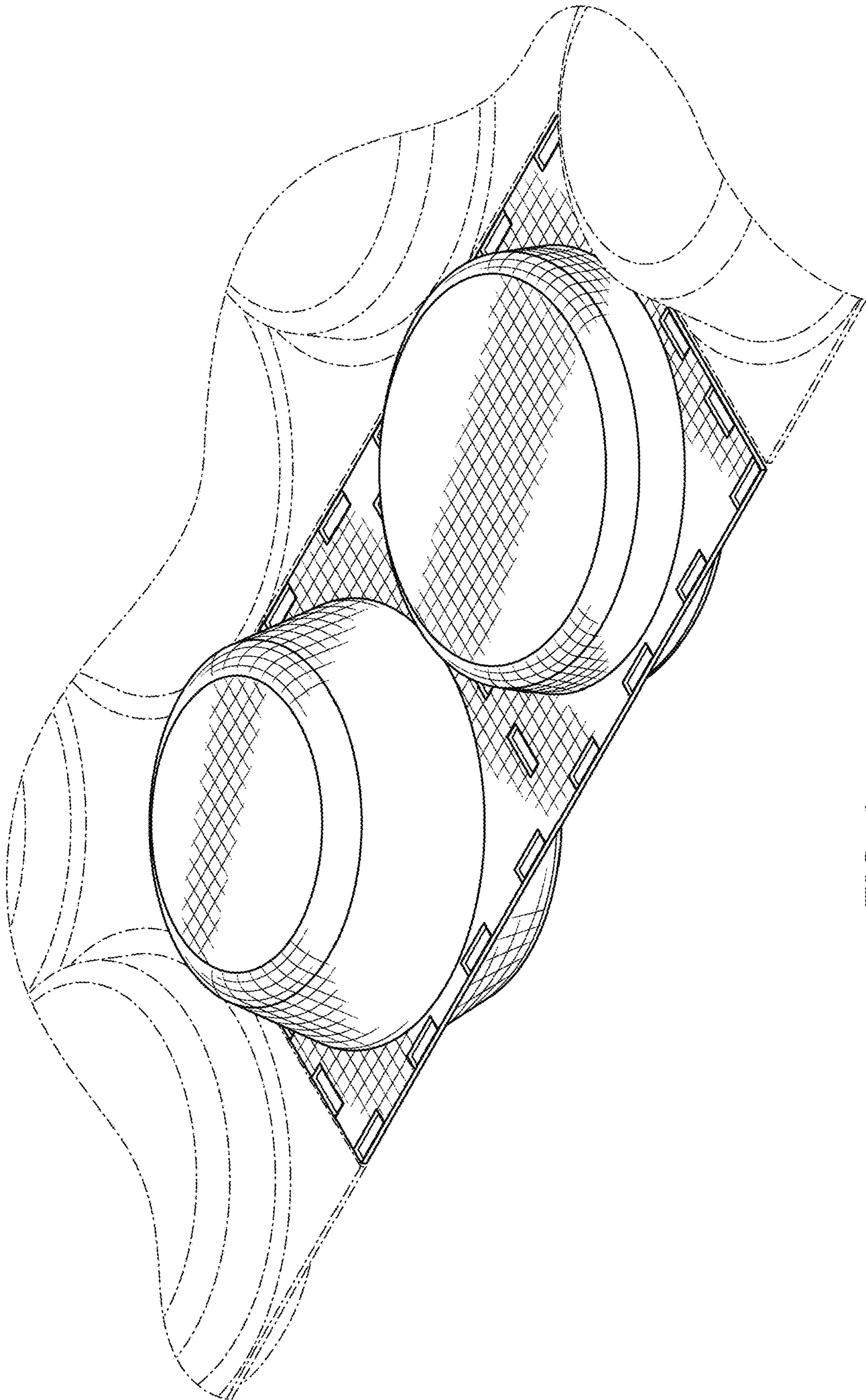


FIG. 9

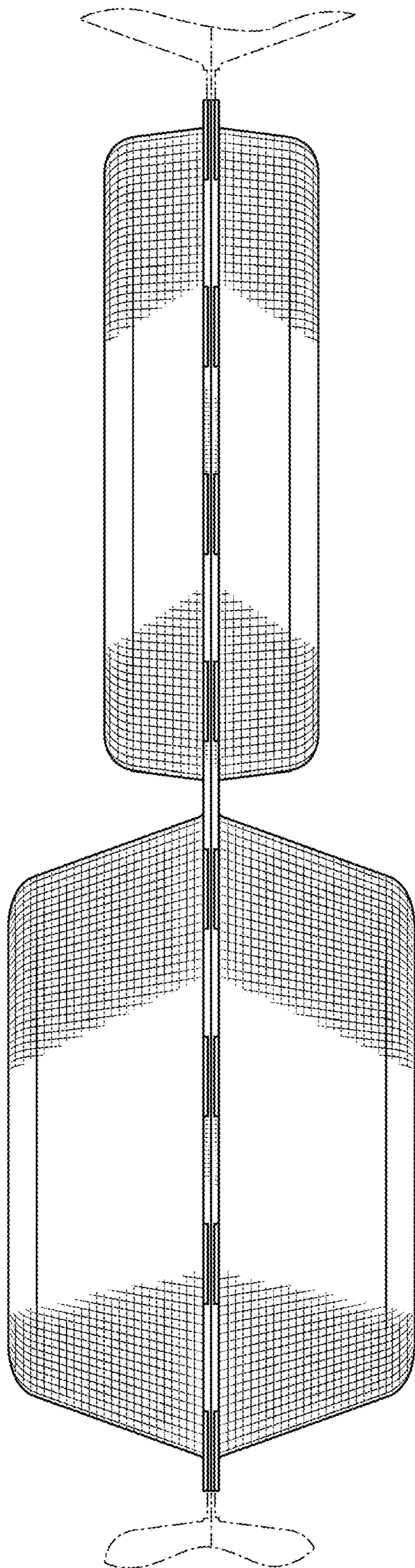


FIG. 10

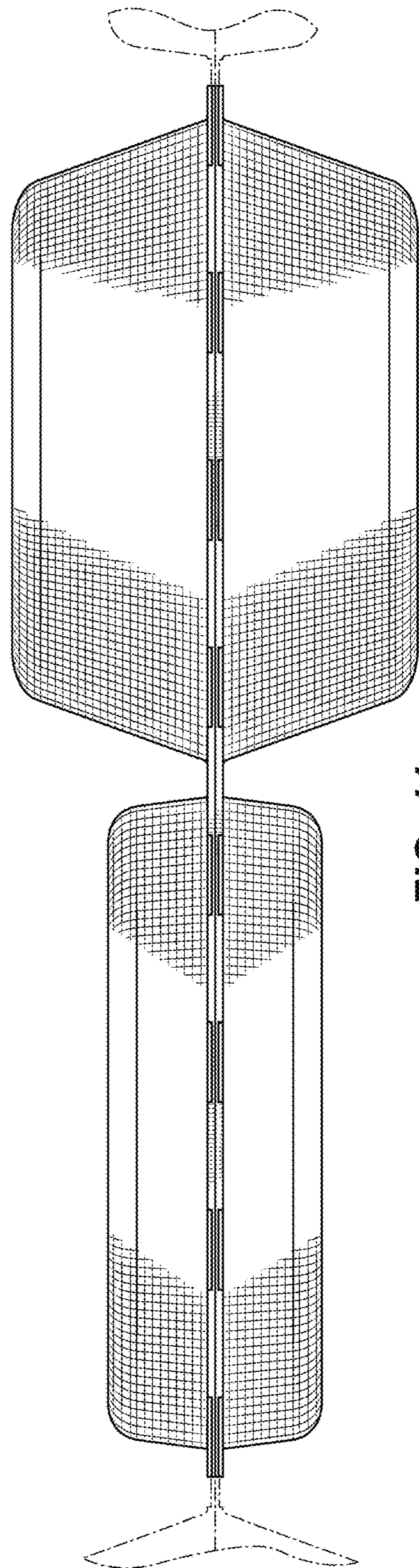


FIG. 11

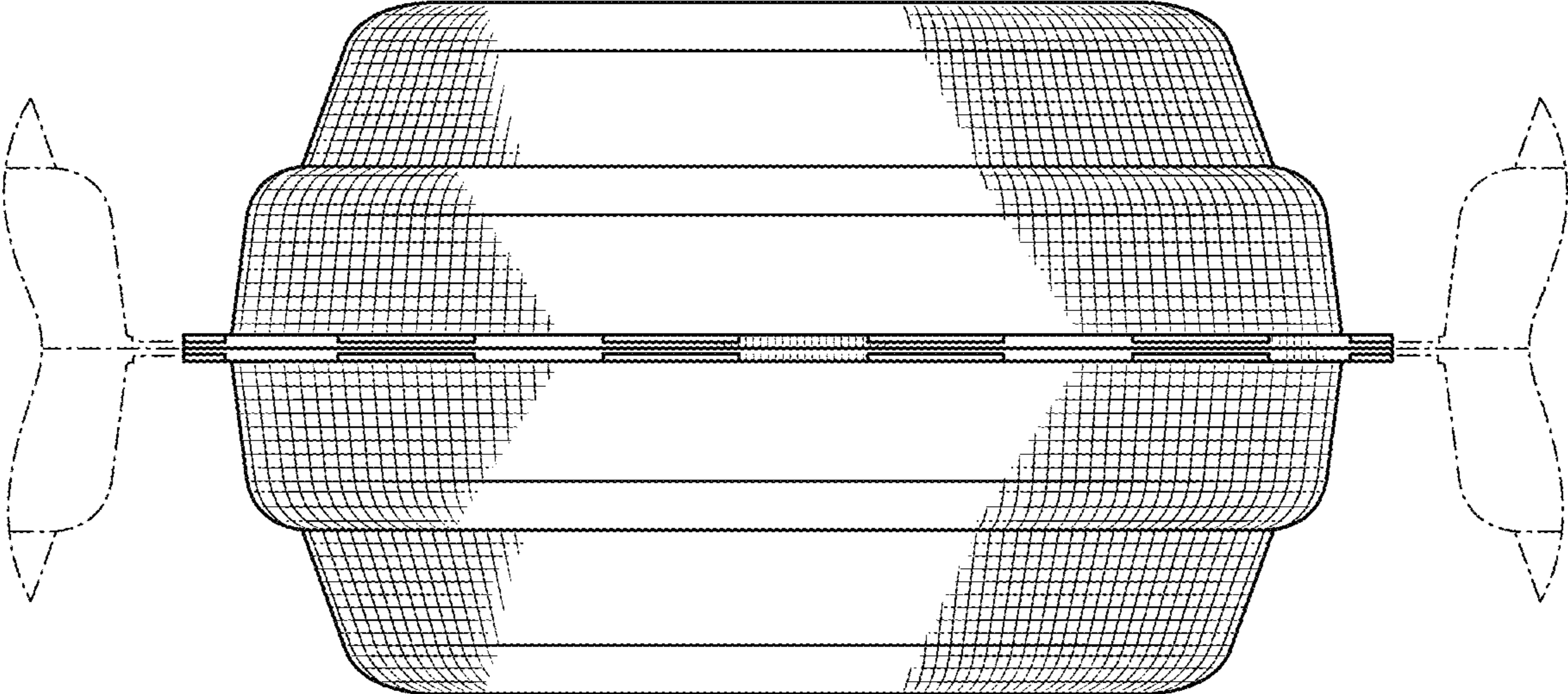


FIG. 12

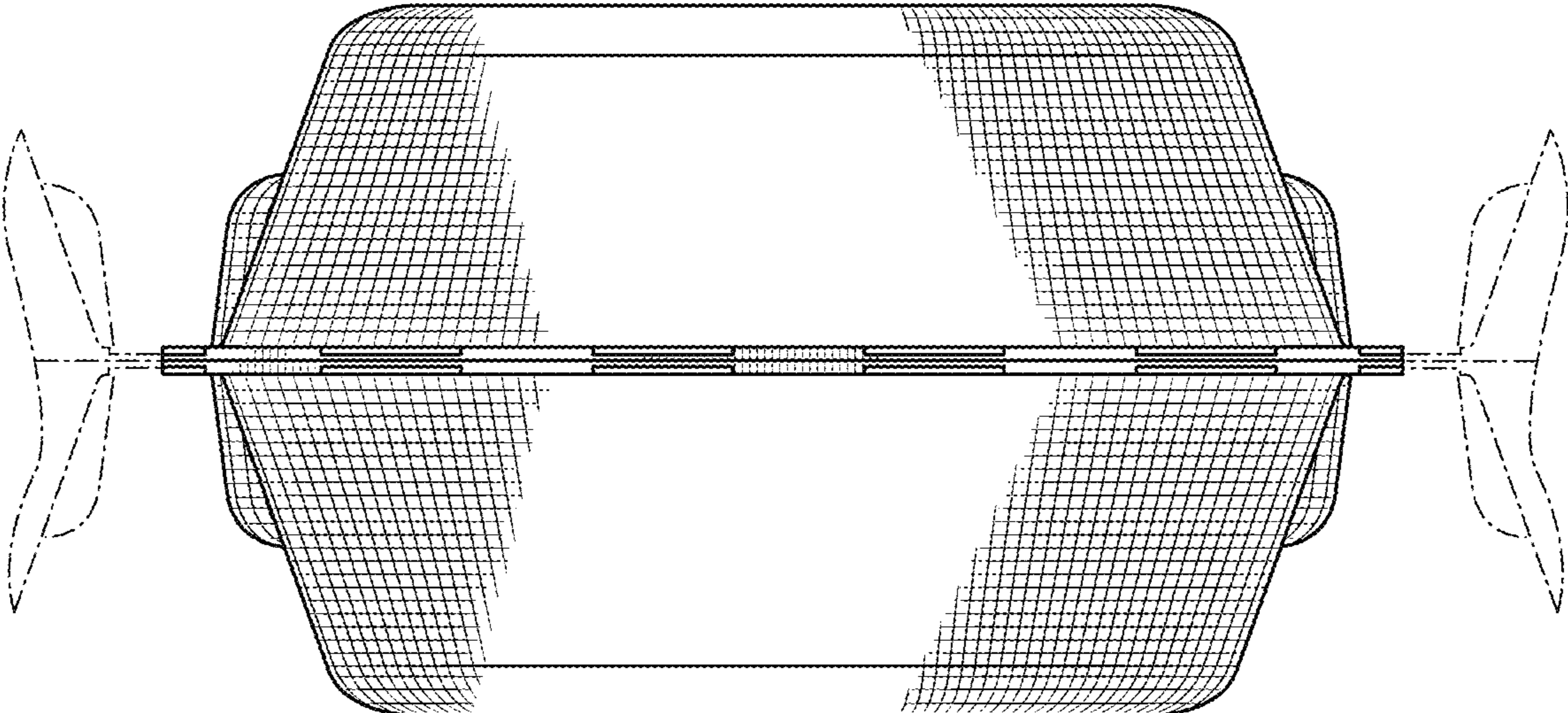


FIG. 13

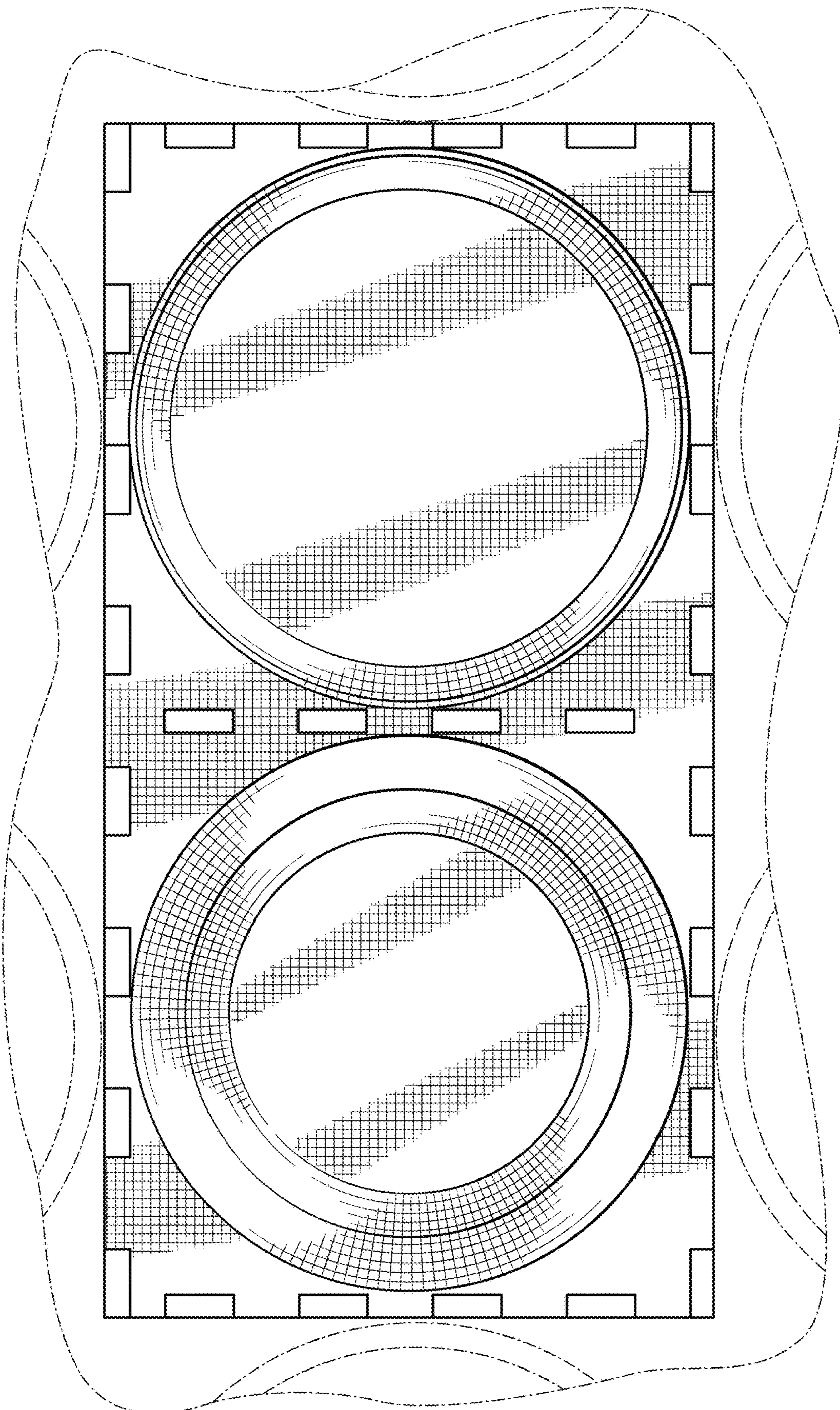


FIG. 14

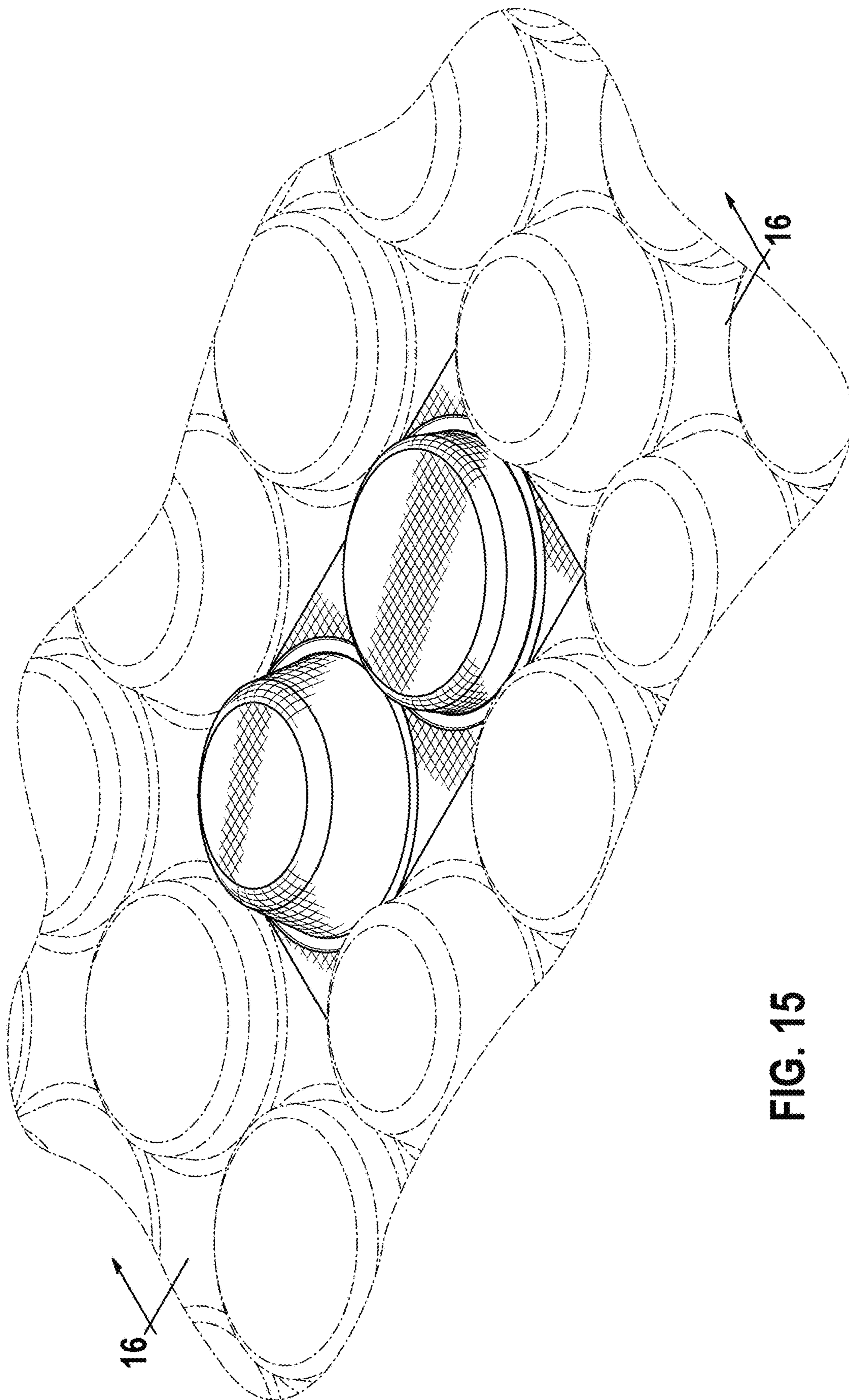


FIG. 15

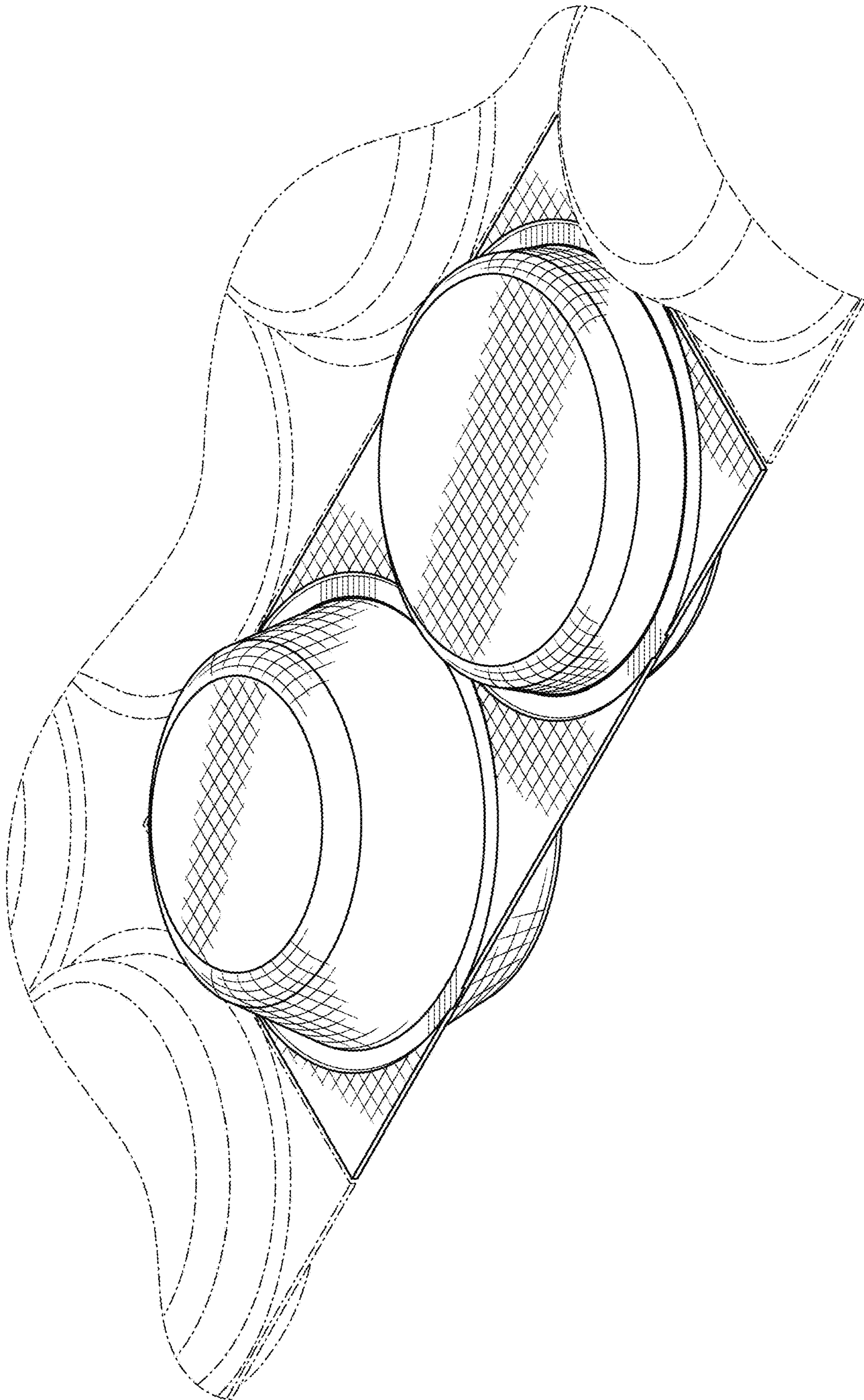


FIG. 16

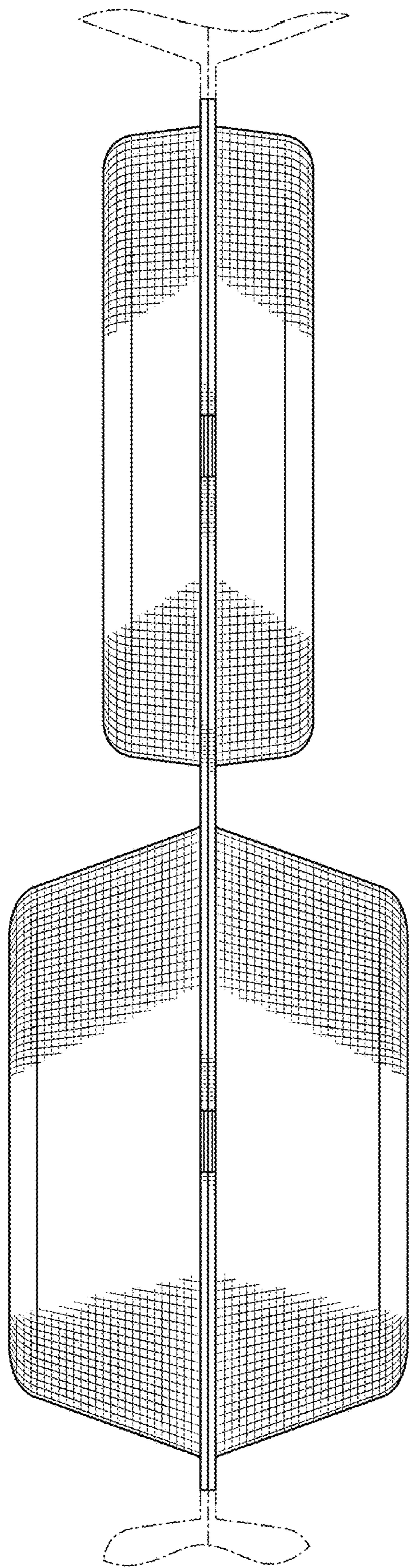


FIG. 17

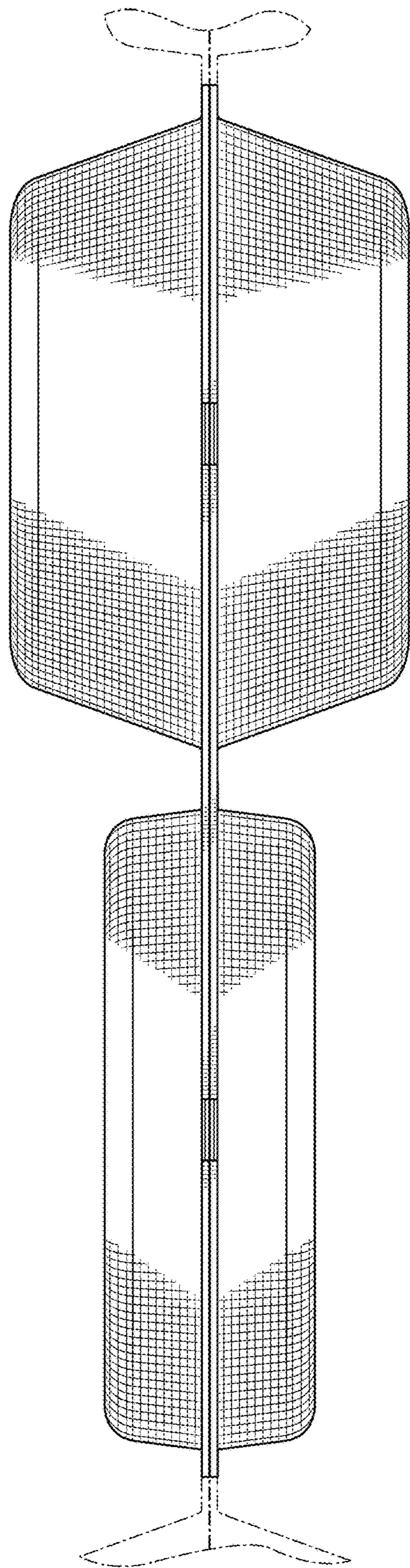


FIG. 18

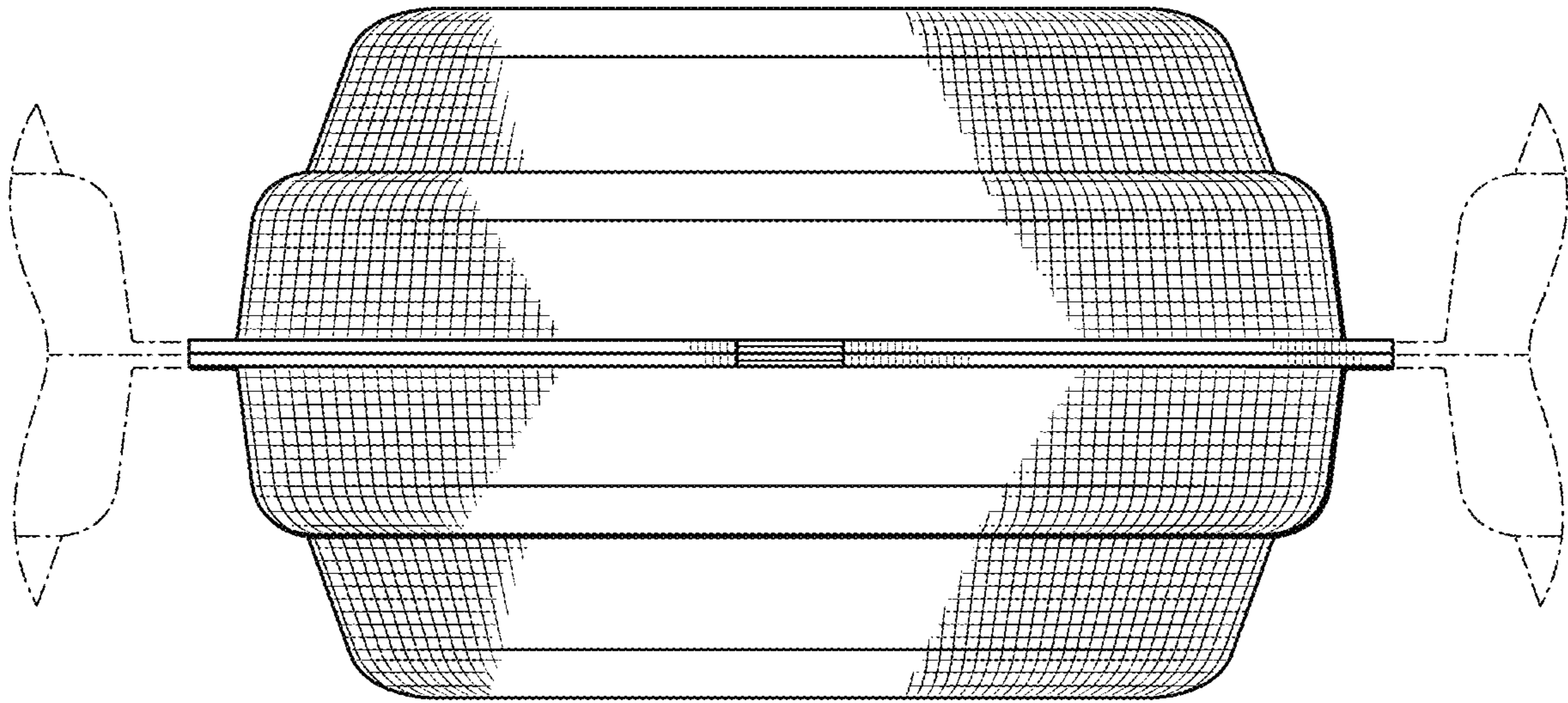


FIG. 19

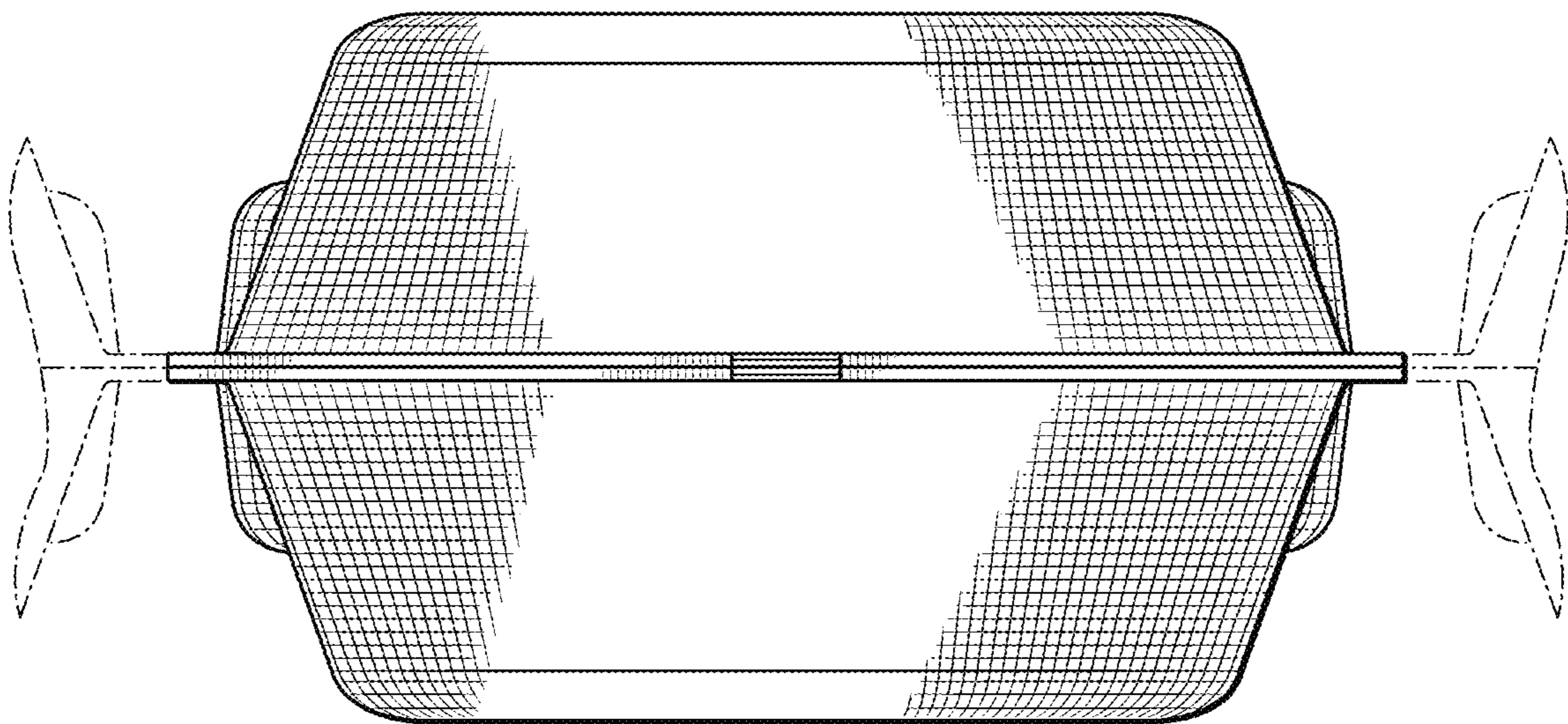


FIG. 20

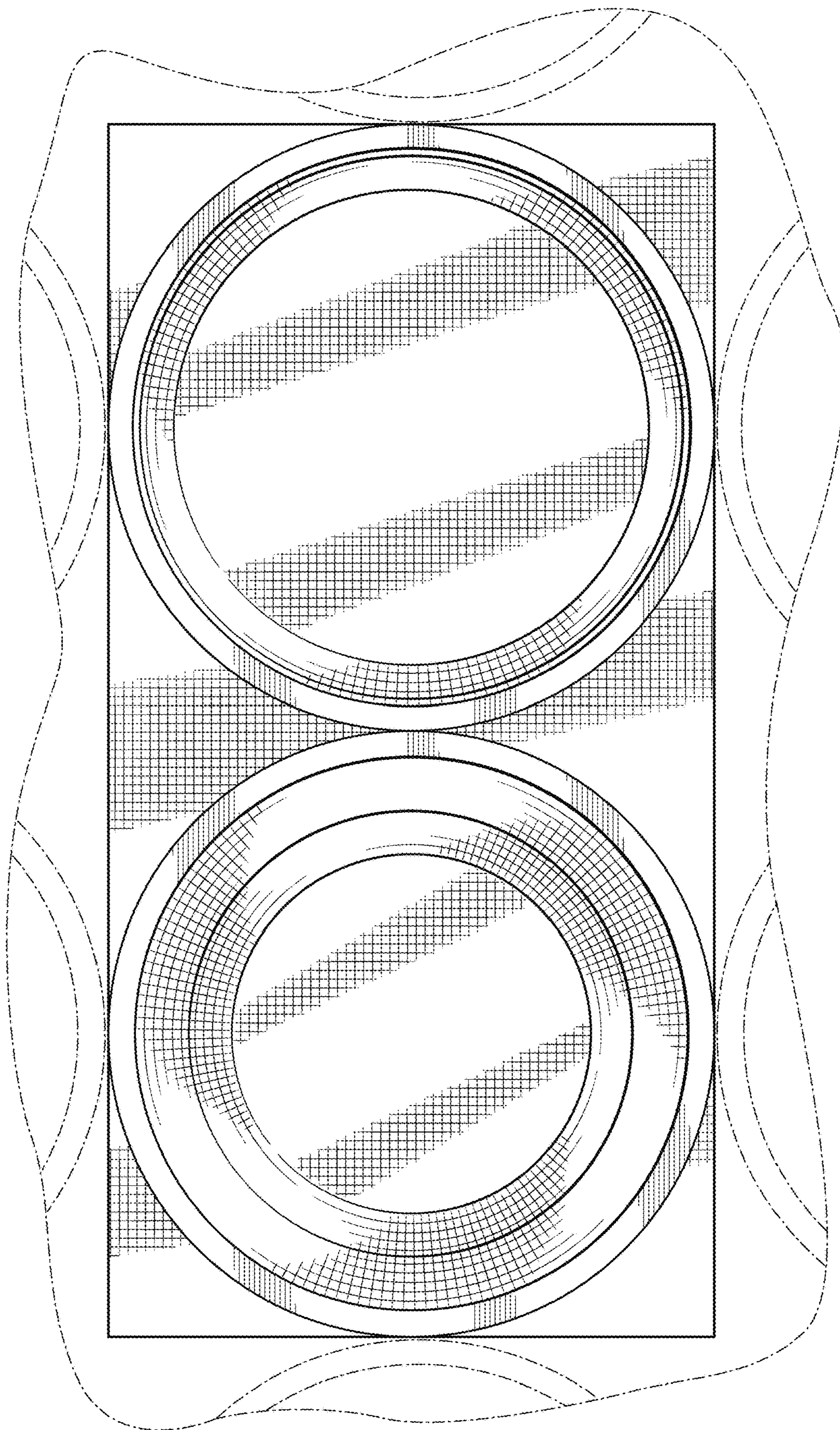


FIG. 21

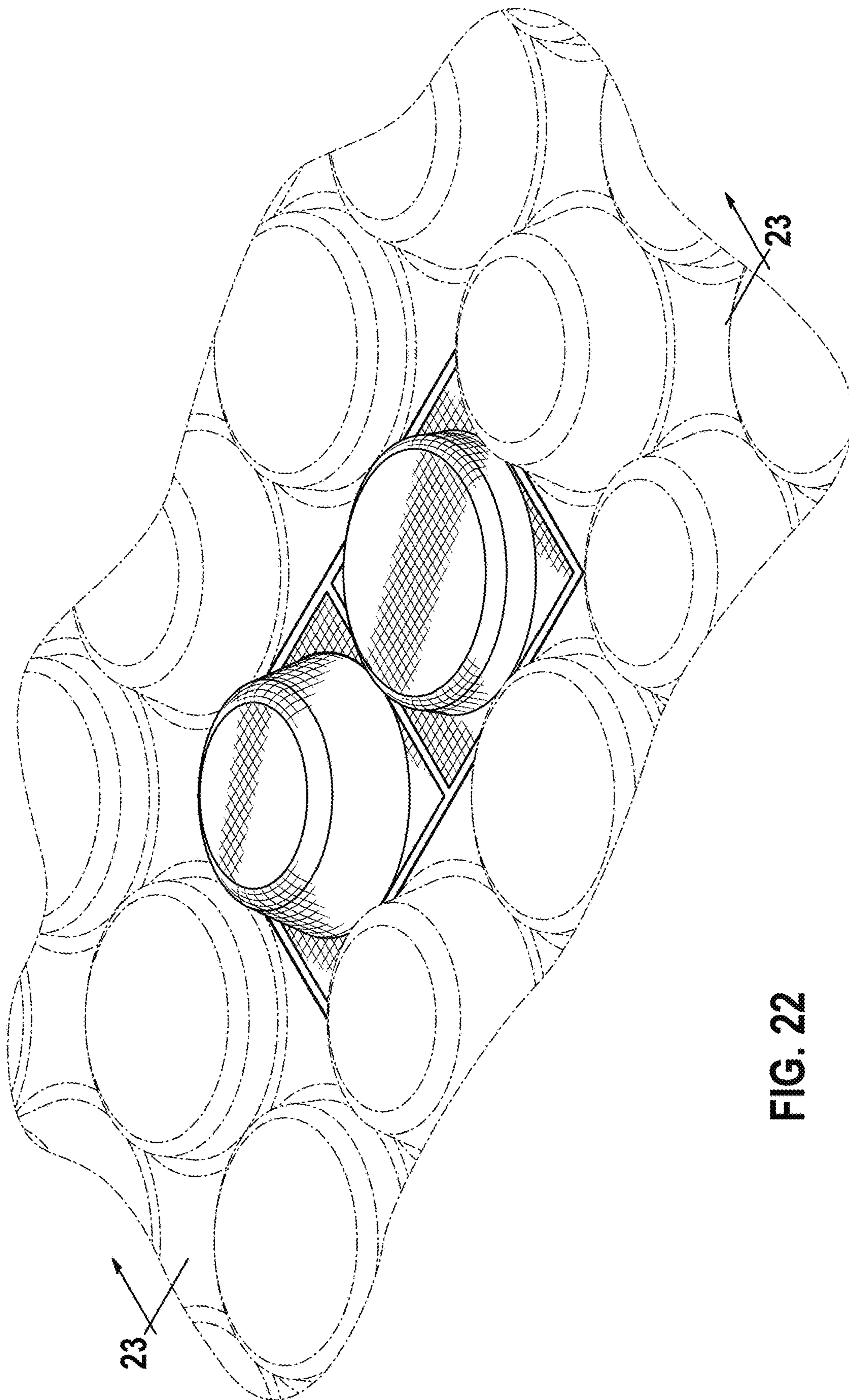


FIG. 22

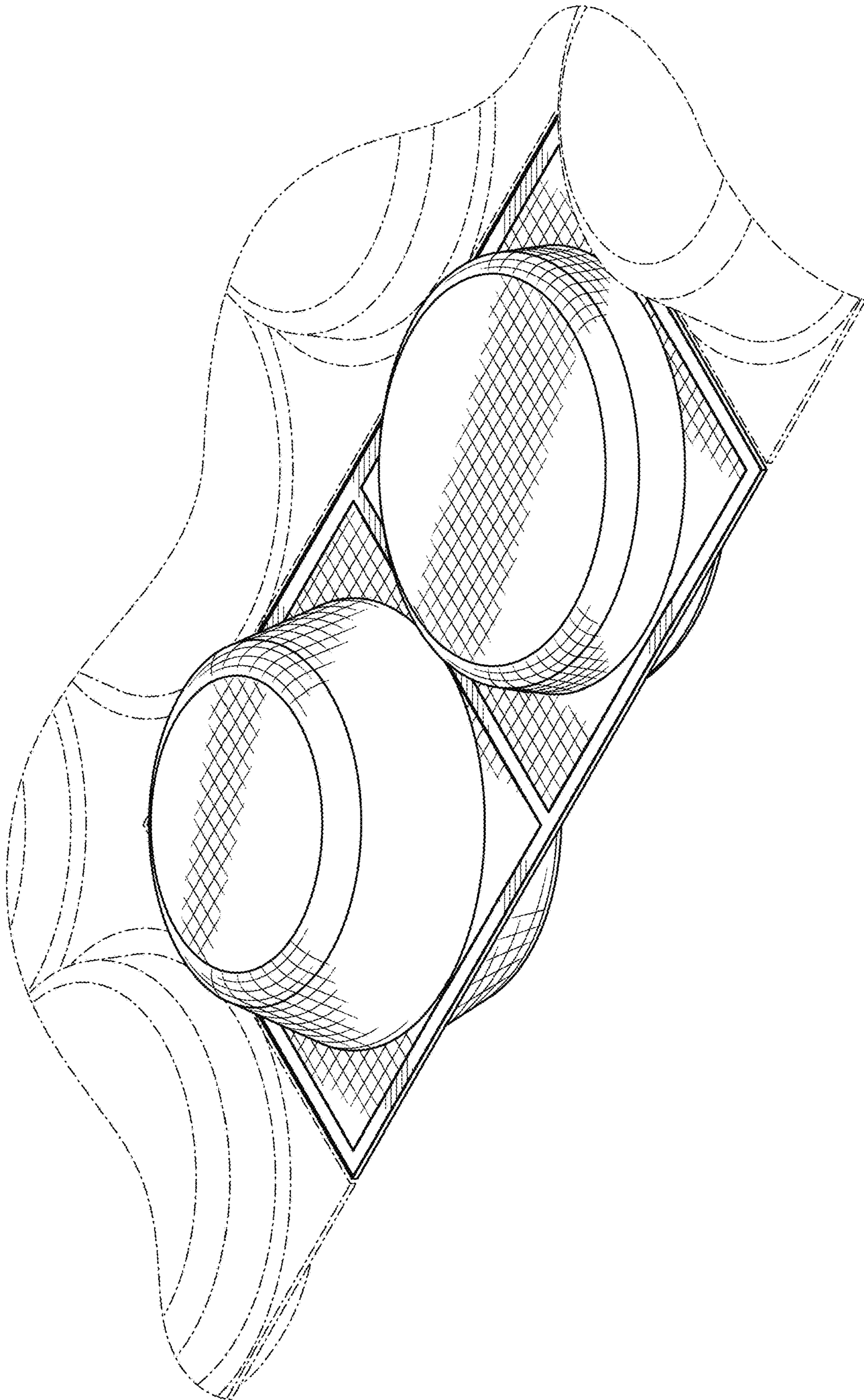


FIG. 23

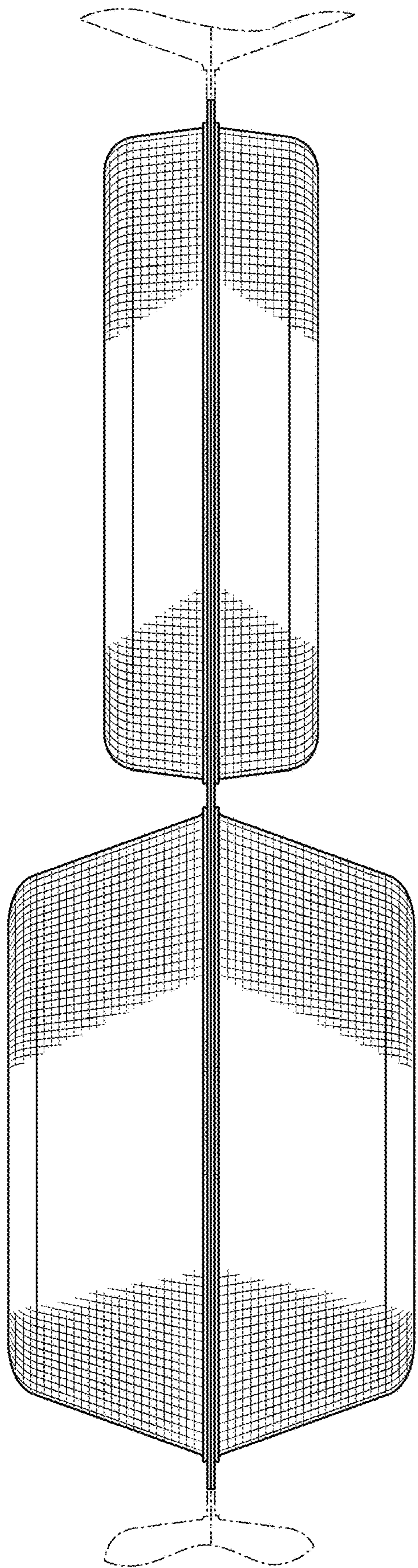


FIG. 24

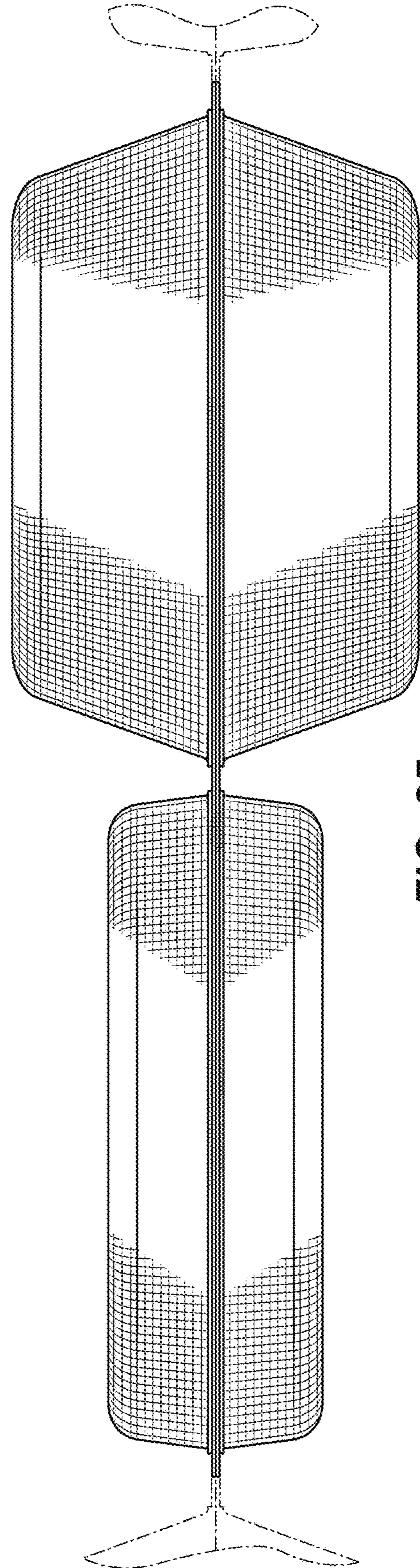


FIG. 25

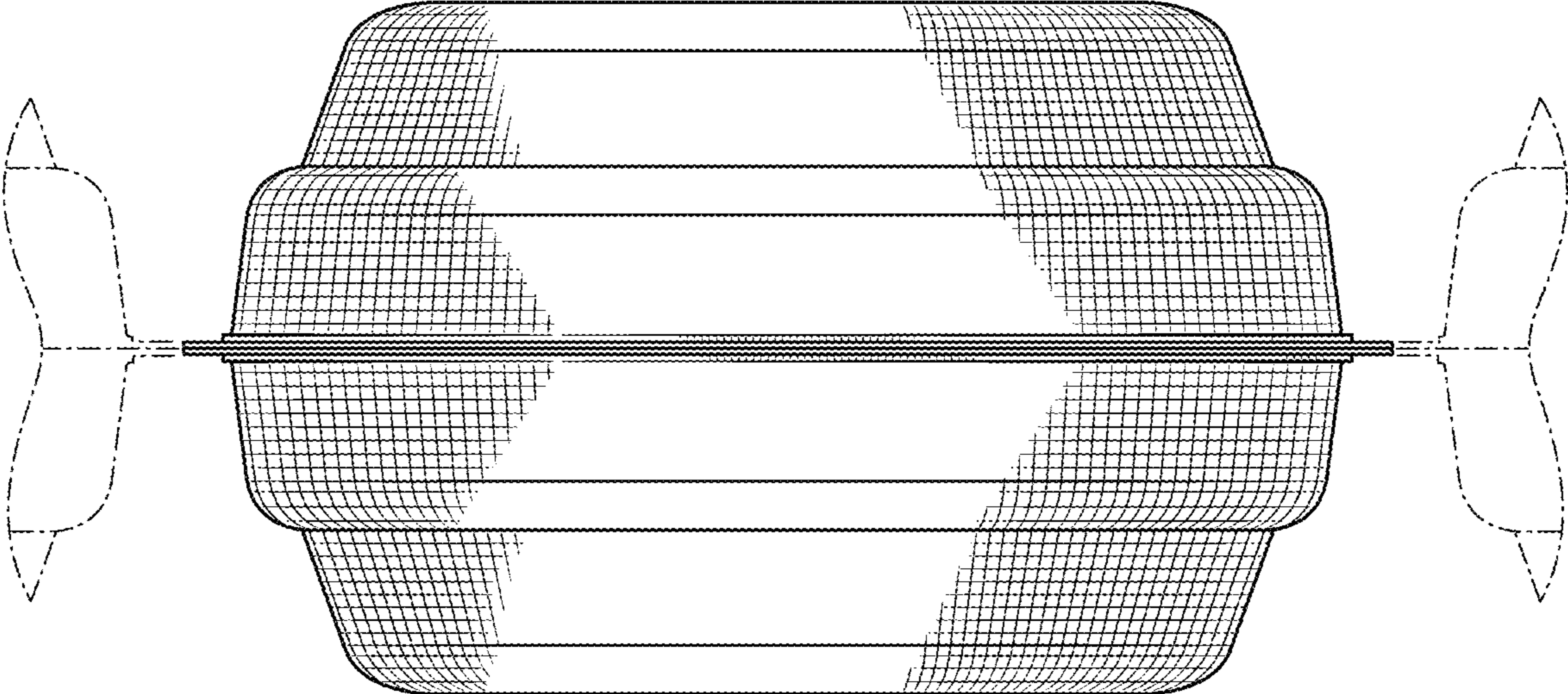


FIG. 26

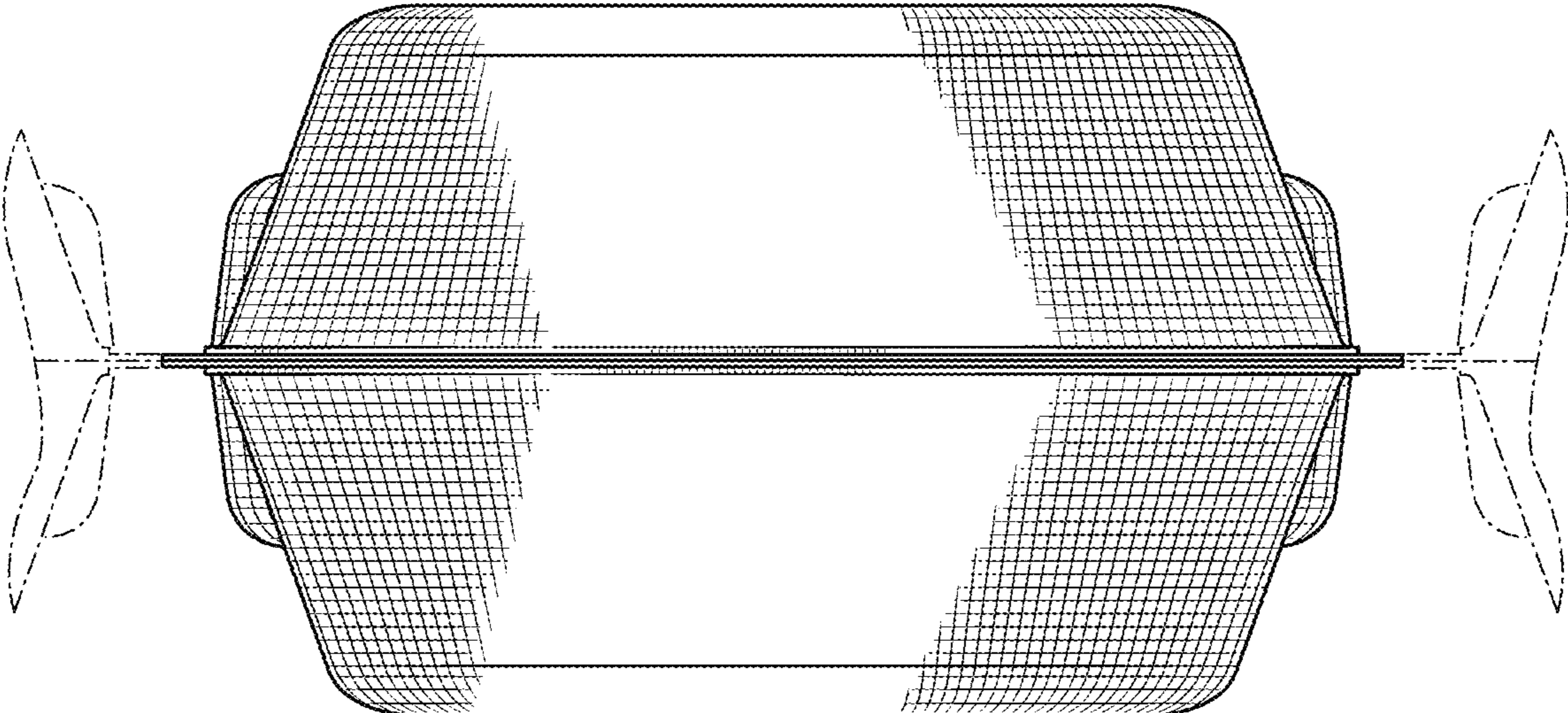


FIG. 27

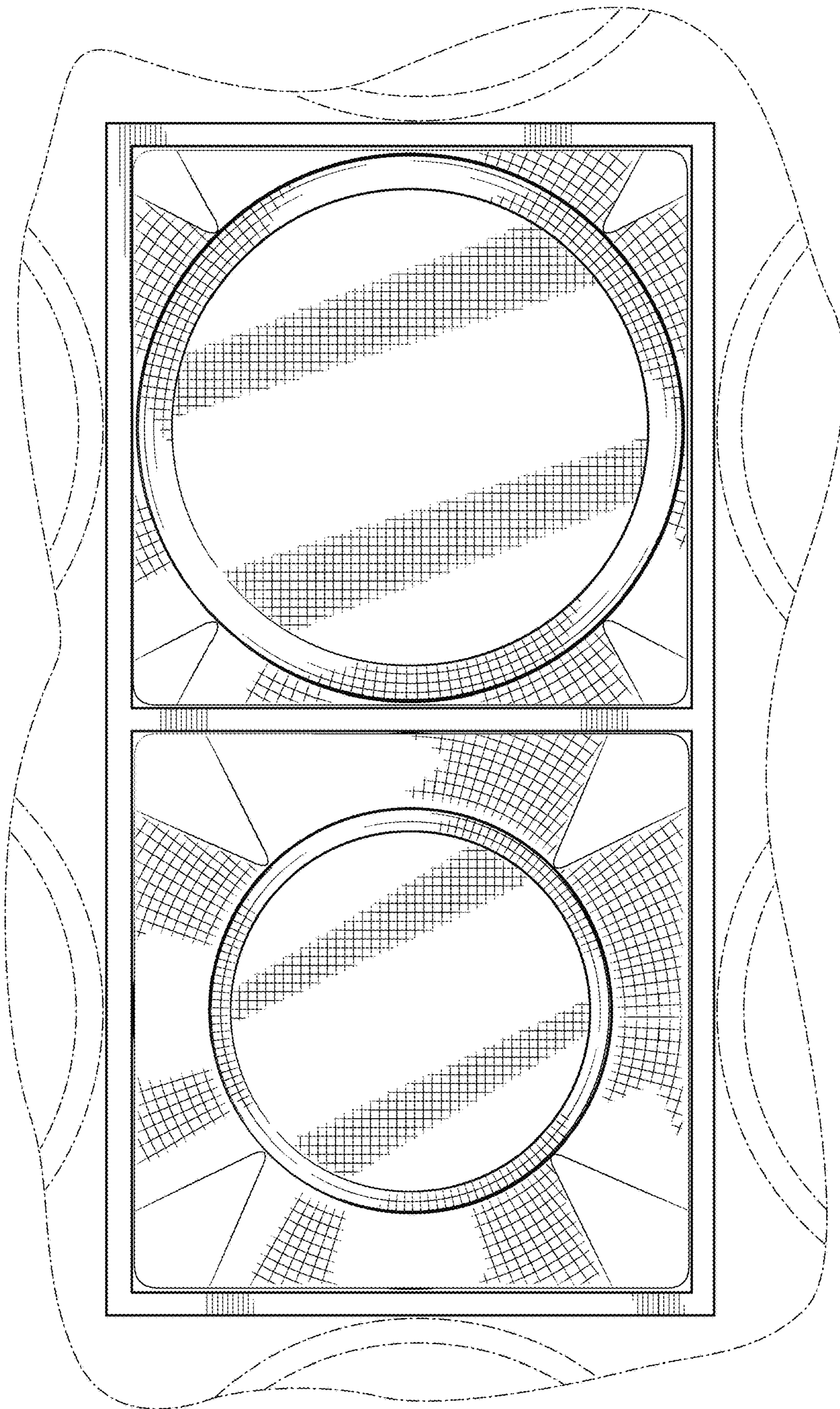


FIG. 28