



US00D878839S

(12) **United States Design Patent**
Ding

(10) **Patent No.:** **US D878,839 S**

(45) **Date of Patent:** **** Mar. 24, 2020**

(54) **CHAIR BACK**

(71) Applicant: **Hangzhou Tuxian Household Products Co., Ltd.**, Hangzhou (CN)

(72) Inventor: **Wenting Ding**, Hangzhou (CN)

(73) Assignee: **HANGZHOU TUXIAN HOUSEHOLD PRODUCTS CO., LTD.**, Hangzhou (CN)

(**) Term: **15 Years**

(21) Appl. No.: **29/636,925**

(22) Filed: **Feb. 12, 2018**

(30) **Foreign Application Priority Data**

Oct. 13, 2017 (CN) 2017 3 0487437

(51) **LOC (12) Cl.** **06-06**

(52) **U.S. Cl.**
USPC **D6/716.4**

(58) **Field of Classification Search**
USPC D6/365, 366, 716, 356, 364, 716.4,
D6/716.7, 367, 379; D12/195
CPC A47C 7/02; A47C 7/40; A47C 7/44; A47C
7/46; A47C 7/445; A47C 31/023; B60N
2/0284; B60N 2/062; B60N 2/24; B60N
2/58; B60N 2/64; B60N 2/68; B60N
2/80; B60N 2/99; B60N 2/245; B60N
2/643; B60N 2/646; B60N 2/665; B60N
2/686; B60N 2/688; B60N 2/803; B60N
2/986; B60N 2/914; B60N 2/995; B60R
22/001; F16B 2/08; F16B 45/00

See application file for complete search history.

(56) **References Cited**

U.S. PATENT DOCUMENTS

5,000,514 A * 3/1991 Hanson A47C 3/029
211/189
D317,534 S * 6/1991 Hansel D6/333

D509,077 S * 9/2005 Beermann D6/356
D558,492 S * 1/2008 Lu D6/366
D562,576 S * 2/2008 Ritzel D6/356
D577,212 S * 9/2008 Lee D6/348
D587,025 S * 2/2009 Juraschek D6/356
7,753,451 B2 * 7/2010 Maebert B60N 2/686
297/344.11
D641,572 S * 7/2011 Tsai D6/716.4
D645,683 S * 9/2011 Chen D6/366
D645,684 S * 9/2011 Chen D6/366
D650,617 S * 12/2011 Chen D6/366
D656,751 S * 4/2012 Levorato D6/356
D657,579 S * 4/2012 Klein D6/356
D665,181 S * 8/2012 Crepeau D6/356
D685,586 S * 7/2013 Klein D6/356
D694,031 S * 11/2013 Ritzel D6/356
D696,035 S * 12/2013 Hatter D6/356
D721,895 S * 2/2015 Beermann D6/356
D721,896 S * 2/2015 Ritzel D6/356
D721,897 S * 2/2015 Ritzel D6/356

(Continued)

Primary Examiner — Kevin K Rudzinski

Assistant Examiner — Paul D Bohannon

(74) *Attorney, Agent, or Firm* — Bayramoglu Law Offices LLC

(57) **CLAIM**

The ornamental design for chair back, as shown and described.

DESCRIPTION

FIG. 1 is a front view of a chair back showing my new design;

FIG. 2 is a back view of a chair back;

FIG. 3 is a left side view of a chair back;

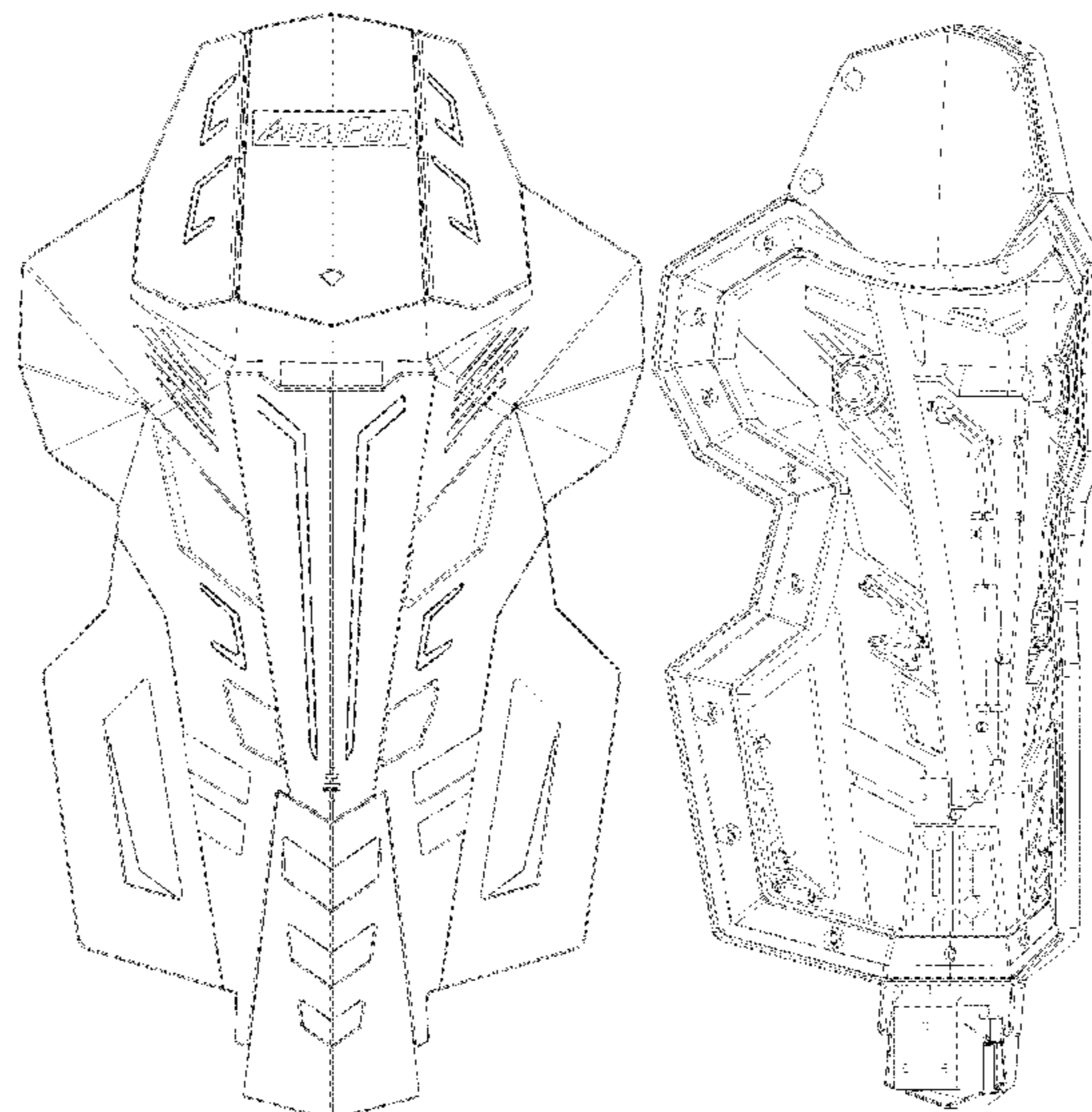
FIG. 4 is a right side view of a chair back;

FIG. 5 is a top view of a chair back;

FIG. 6 is an upward view of a chair back; and,

FIG. 7 is a perspective view of a chair back.

1 Claim, 7 Drawing Sheets



(56)

References Cited

U.S. PATENT DOCUMENTS

D807,072	S	*	1/2018	Mao	D6/366
D832,757	S	*	11/2018	Ding	D12/195
D833,937	S	*	11/2018	Ding	D12/195
D846,906	S	*	4/2019	Xue	D6/366
D851,974	S	*	6/2019	Shen	D6/716
D852,523	S	*	7/2019	Ritzel	D6/356
D852,563	S	*	7/2019	Shen	D6/716
10,406,953	B2	*	9/2019	Tokumoto	B60N 2/64
D869,214	S	*	12/2019	Chen	D6/716

* cited by examiner

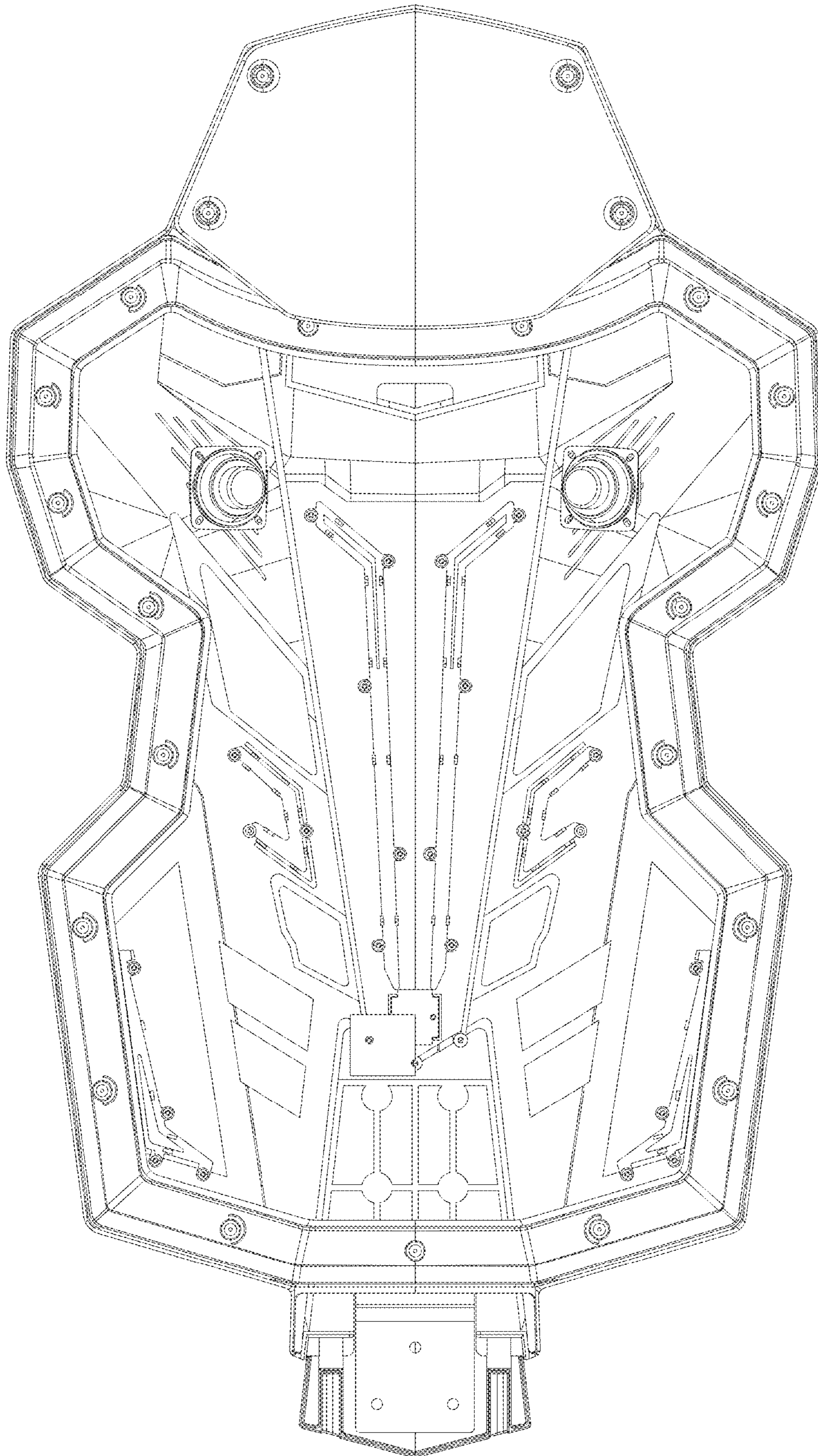


FIG. 1

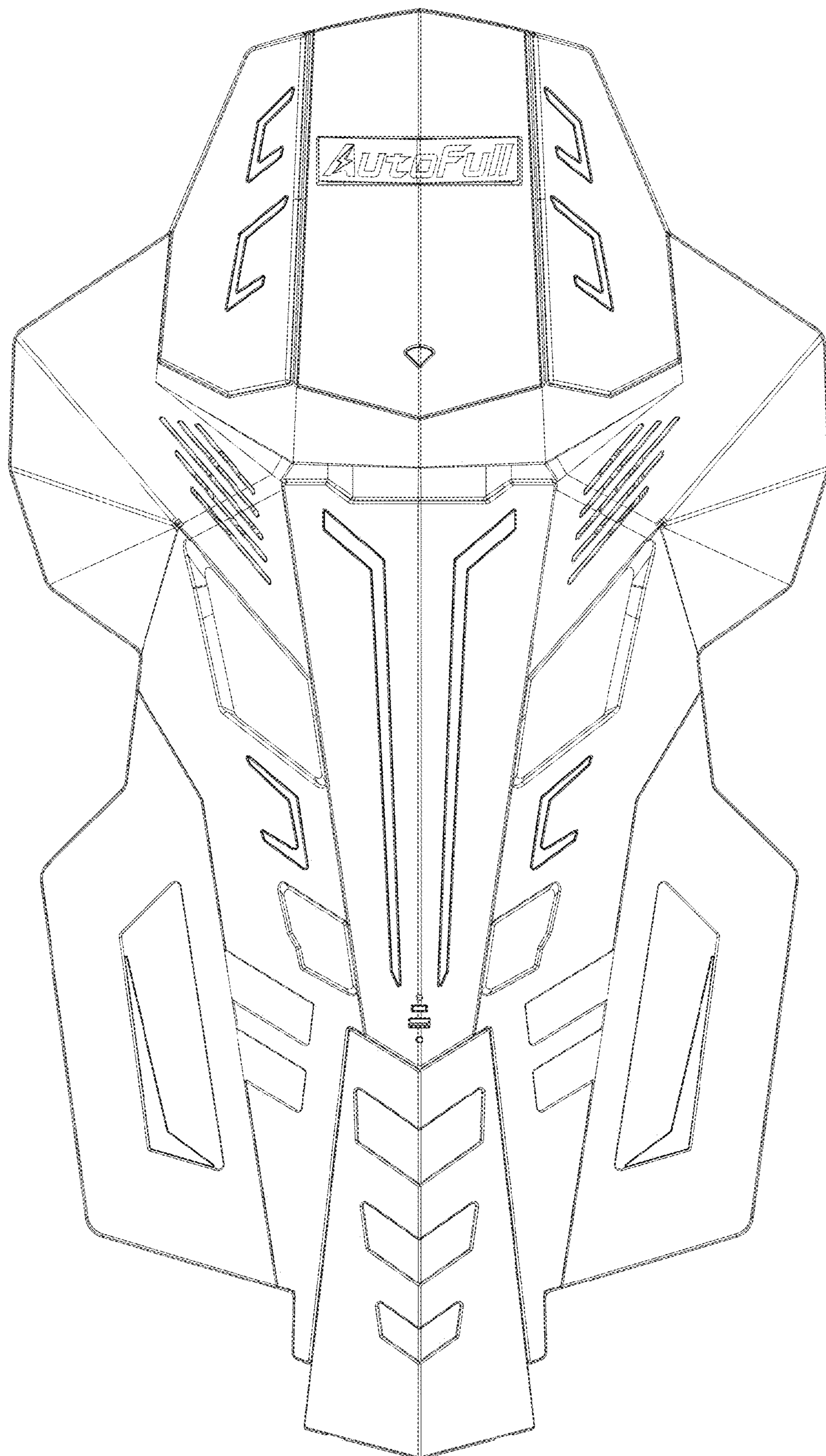


FIG. 2

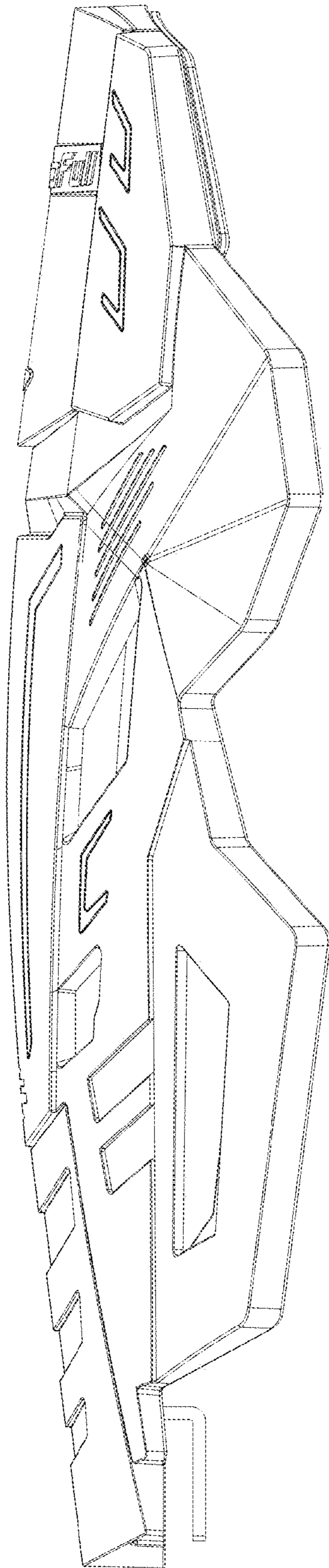


FIG. 3

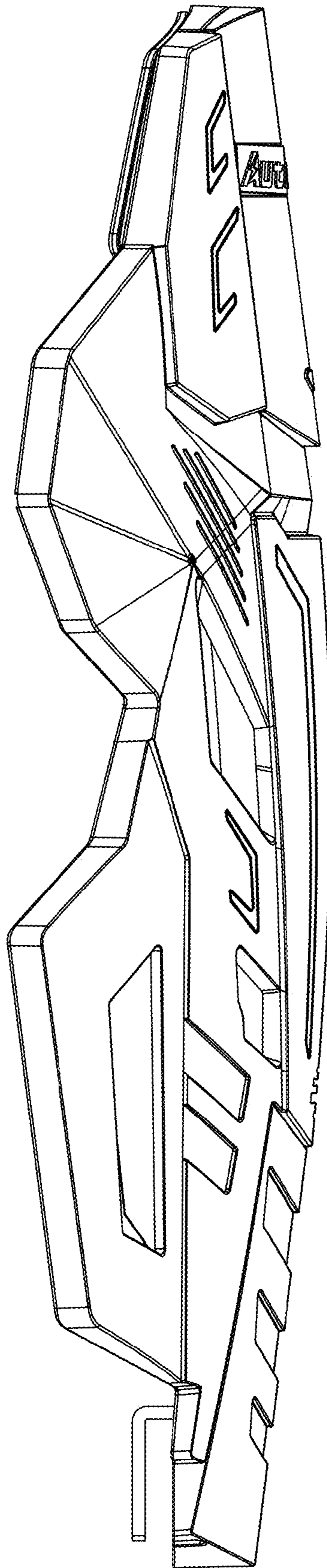


FIG. 4

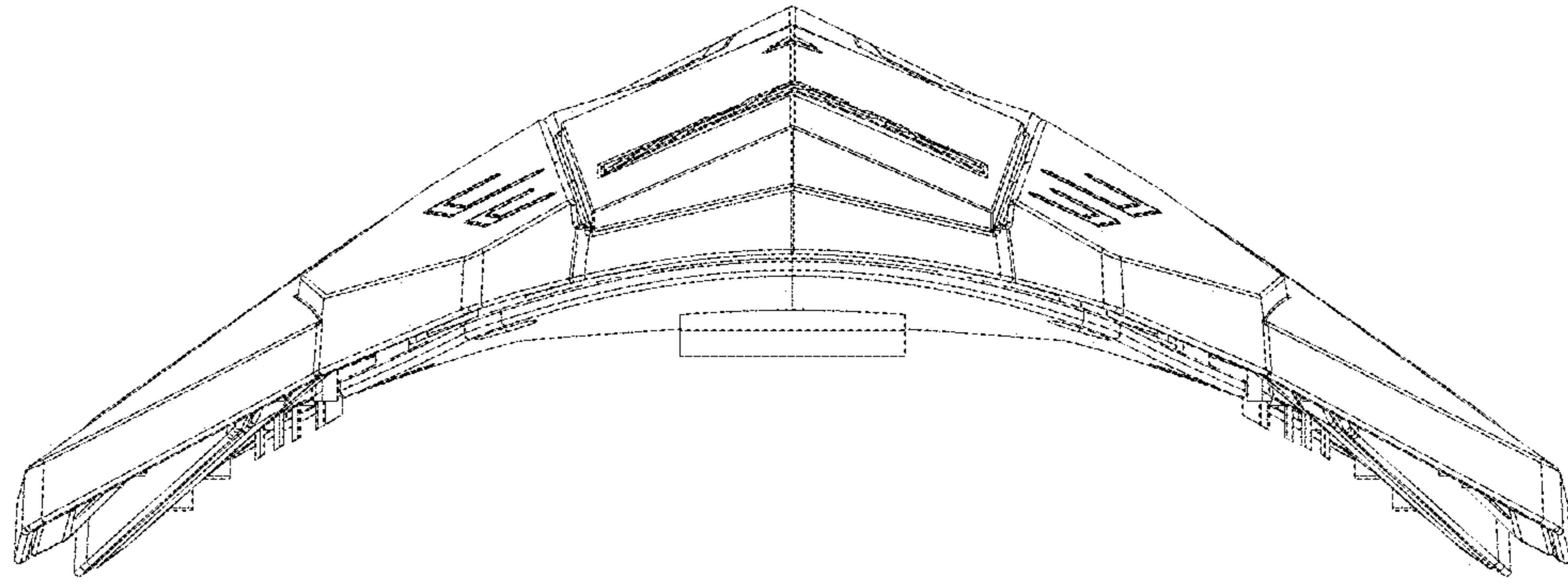


FIG. 5

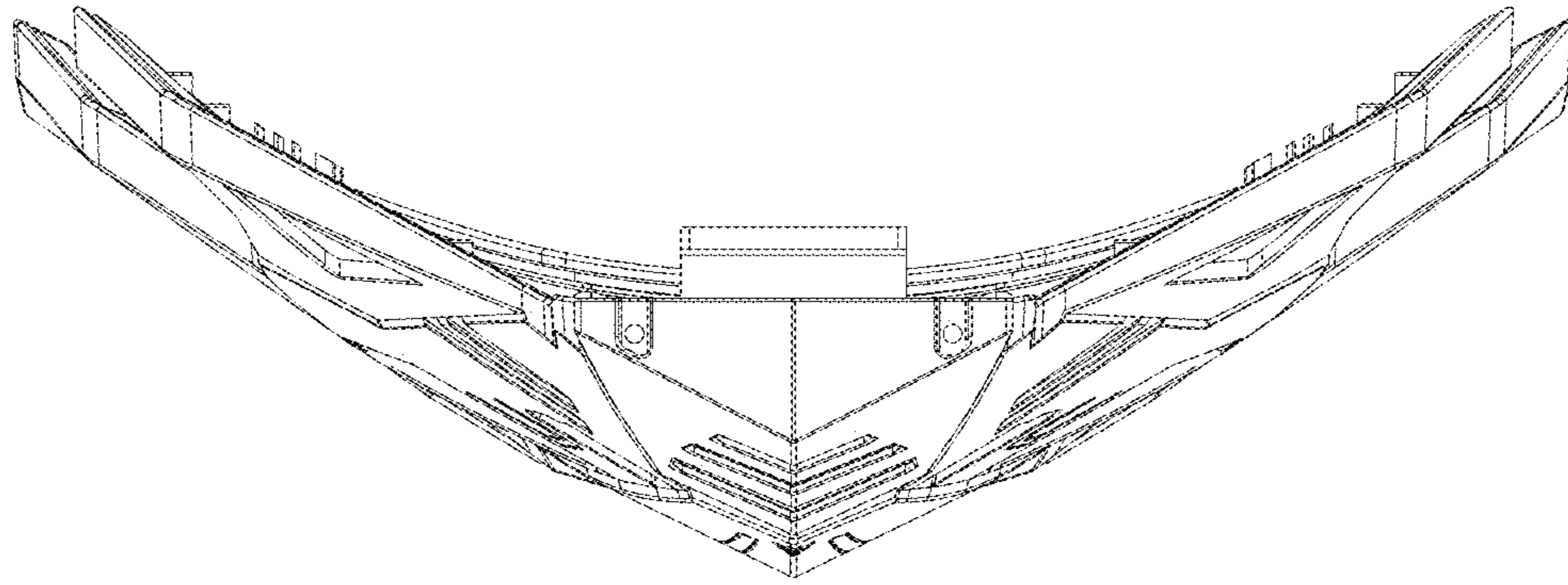


FIG. 6

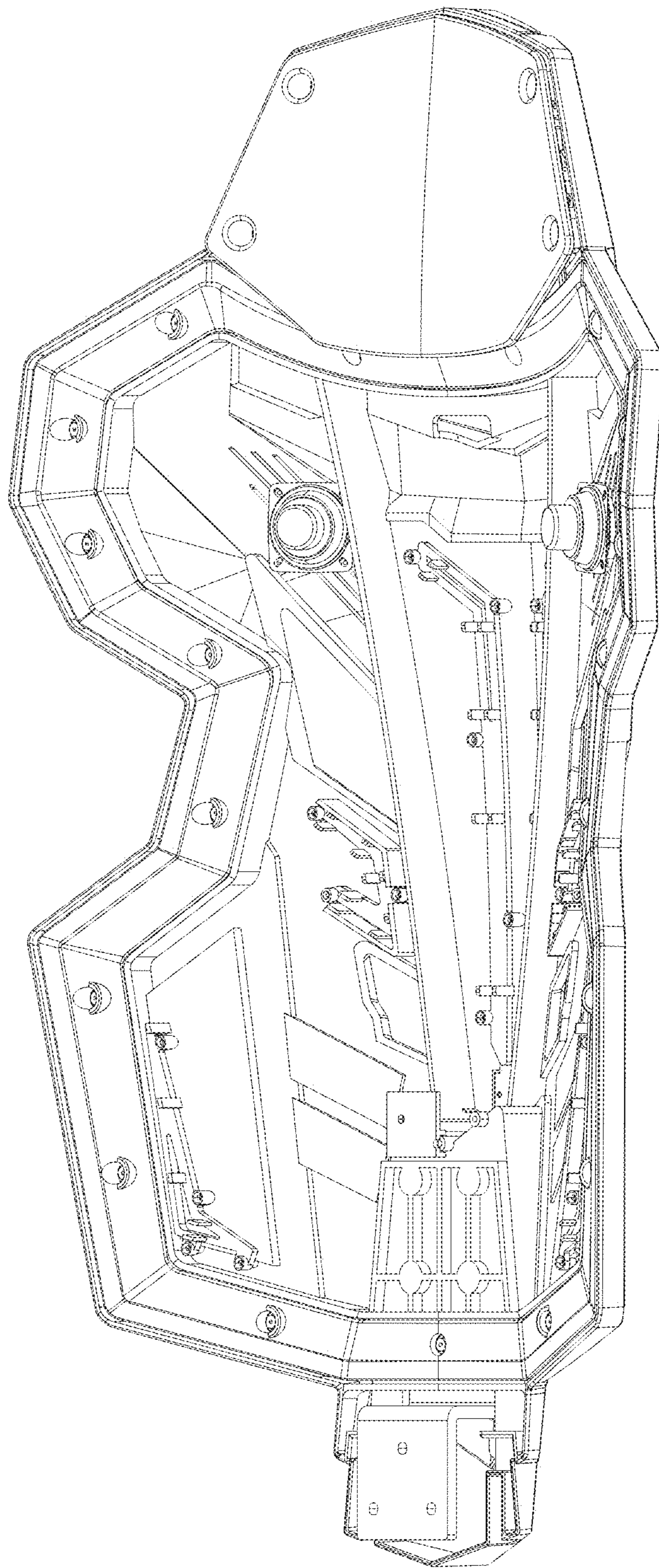


FIG. 7