



US00D878838S

(12) **United States Design Patent**
Urquiola

(10) **Patent No.:** **US D878,838 S**

(45) **Date of Patent:** **** Mar. 24, 2020**

- (54) **BACK AND SEAT OF A CHAIR**
- (71) Applicant: **Haworth, Inc.**, Holland, MI (US)
- (72) Inventor: **Patricia Urquiola**, Milan (IT)
- (73) Assignee: **Haworth, Inc.**, Holland, MI (US)
- (**) Term: **15 Years**
- (21) Appl. No.: **29/644,857**
- (22) Filed: **Apr. 20, 2018**
- (51) **LOC (12) Cl.** **06-01**
- (52) **U.S. Cl.**
USPC **D6/716; D6/366**
- (58) **Field of Classification Search**
USPC D6/334-336, 364, 365, 366, 367, 374,
D6/379, 716, 716.1, 716.2, 716.4
CPC A47C 3/18; A47C 3/20; A47C 5/04; A47C
5/06; A47C 7/004; A47C 7/18; A47C
7/24; A47C 7/40; A47C 7/54
See application file for complete search history.

D326,369 S *	5/1992	Buchacz	D6/366
D377,424 S *	1/1997	Olson	D6/364
D397,258 S *	8/1998	Heyder	D6/366
D411,395 S *	6/1999	Edwards	D6/716
D412,417 S *	8/1999	Jenkins	D6/716
D833,767 S *	11/2018	Wilkinson	D6/366

* cited by examiner

Primary Examiner — Mimosa De

(74) *Attorney, Agent, or Firm* — Warner Norcross + Judd LLP

(57) **CLAIM**

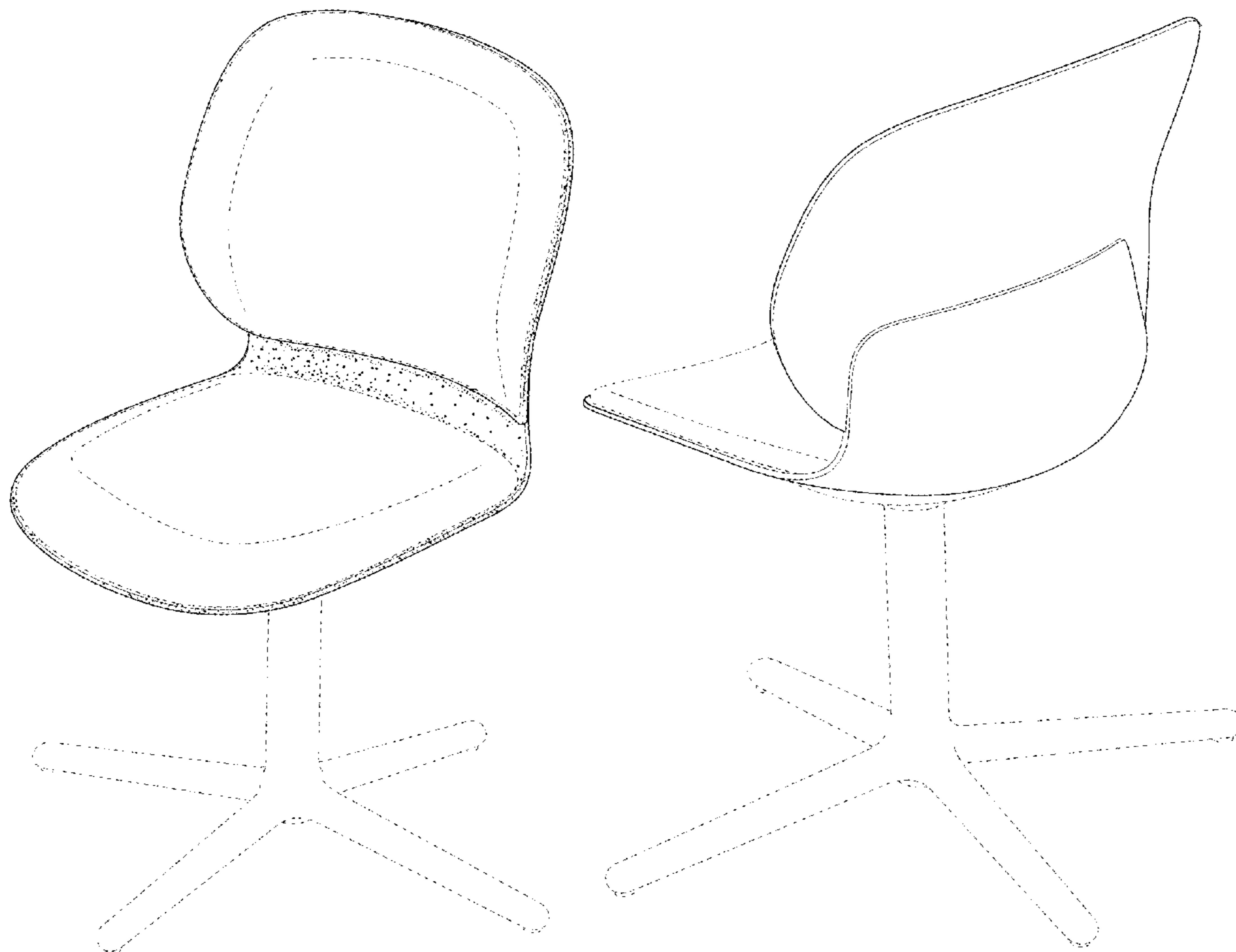
The ornamental design for the back and seat of a chair, as shown and described.

DESCRIPTION

FIG. 1 is a front perspective view of the back and seat of a chair embodying the new design;
 FIG. 2 is a rear perspective view thereof;
 FIG. 3 is a front view thereof;
 FIG. 4 is a rear view thereof;
 FIG. 5 is a right side view thereof;
 FIG. 6 is a left side view thereof;
 FIG. 7 is a top view thereof; and,
 FIG. 8 is a bottom view thereof.
 FIGS. 1-8 show portions of the back and seat of a chair in broken lines. The portions shown in broken lines are for environmental purposes only and form no part of the claimed design. Stipple shading is added to FIG. 1 to convey surface contouring; the stipple shading is not to be understood as conveying a particular surface finish.

1 Claim, 7 Drawing Sheets

- (56) **References Cited**
U.S. PATENT DOCUMENTS
D233,808 S * 12/1974 Arlesheim D6/366
D236,173 S * 8/1975 Arlesheim D6/366
D308,605 S * 6/1990 Uecker D6/379
D312,003 S * 11/1990 Muller-Deisig D6/716
D320,704 S * 10/1991 Monesi D6/366



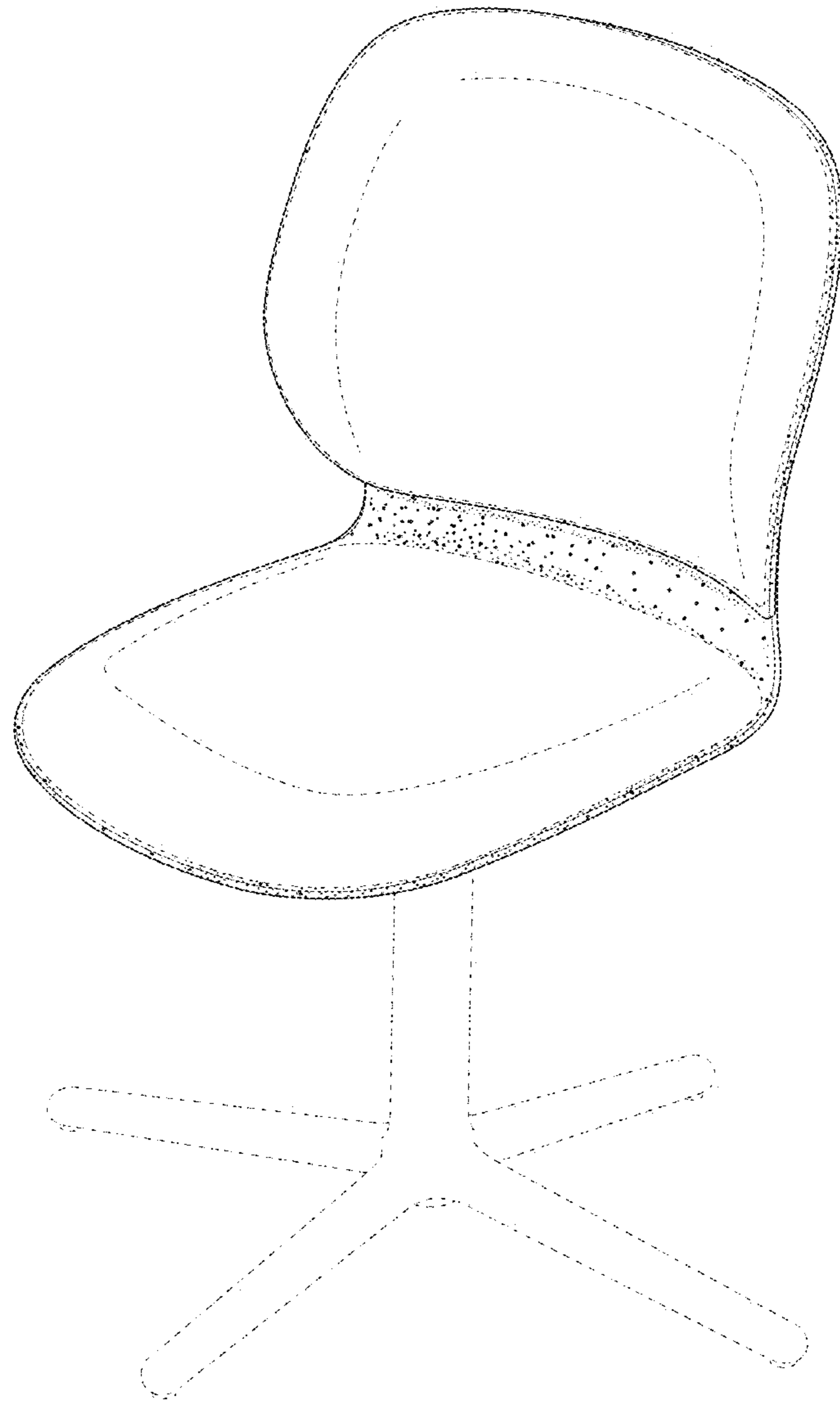


Fig. 1

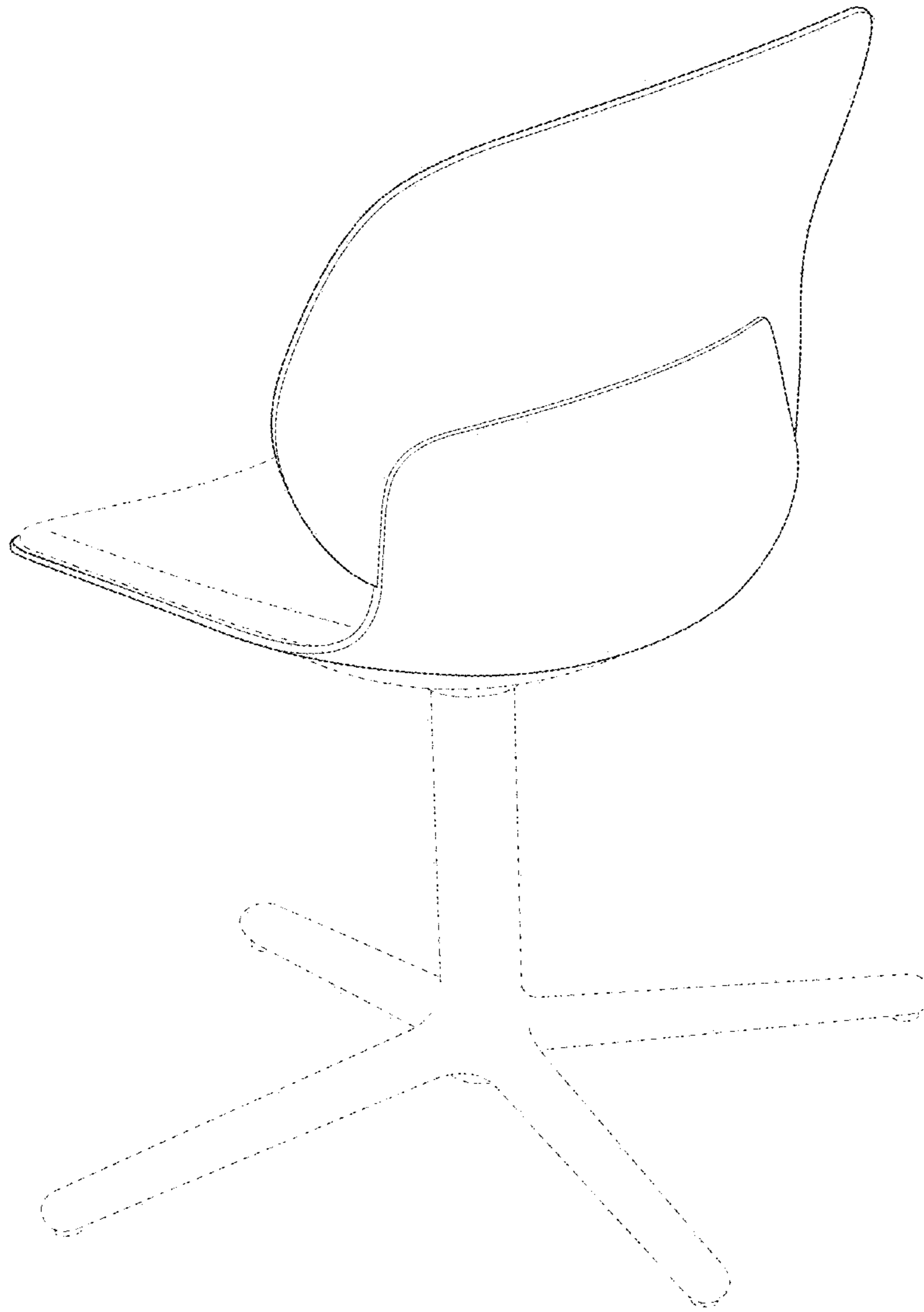


Fig. 2

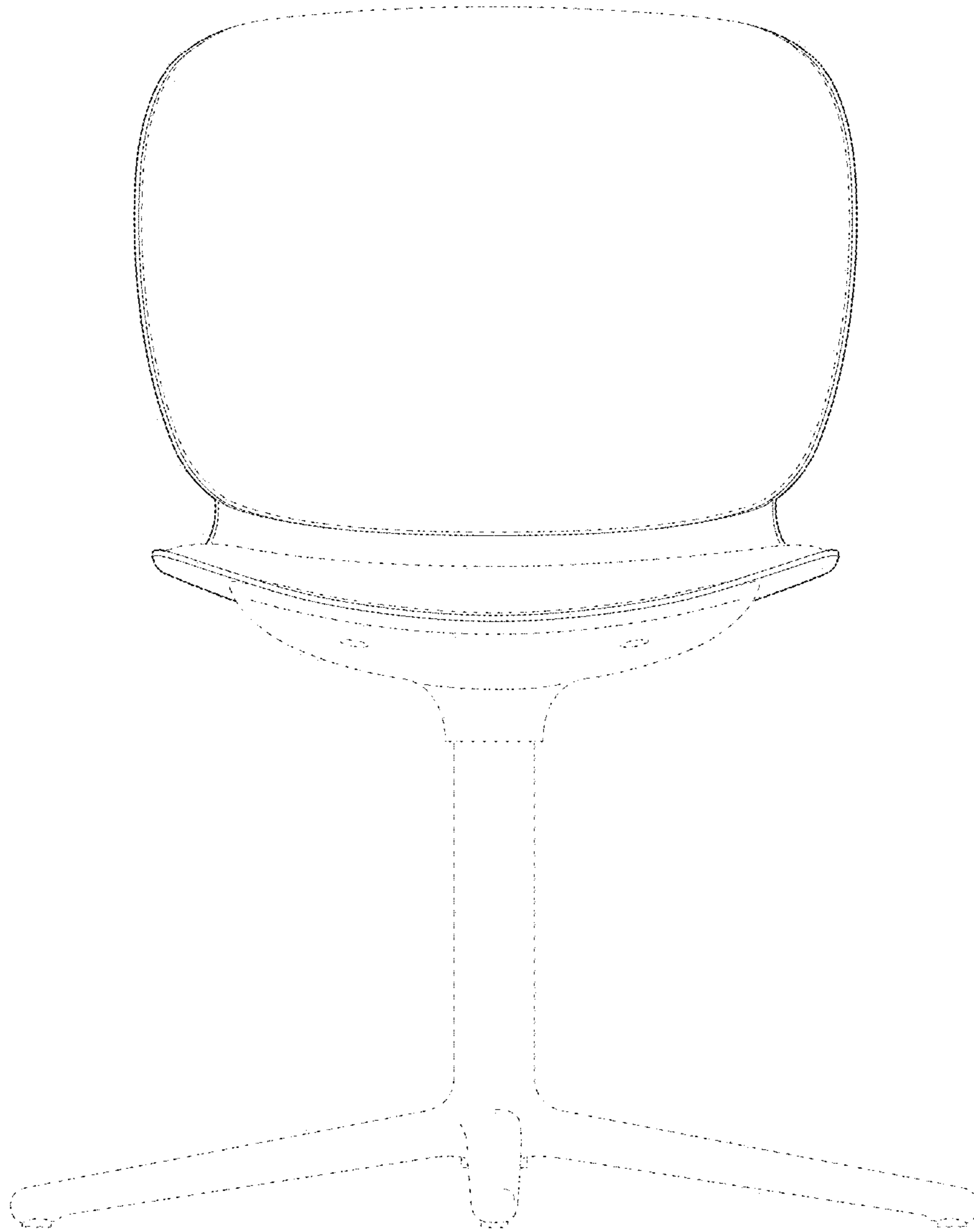


Fig. 3

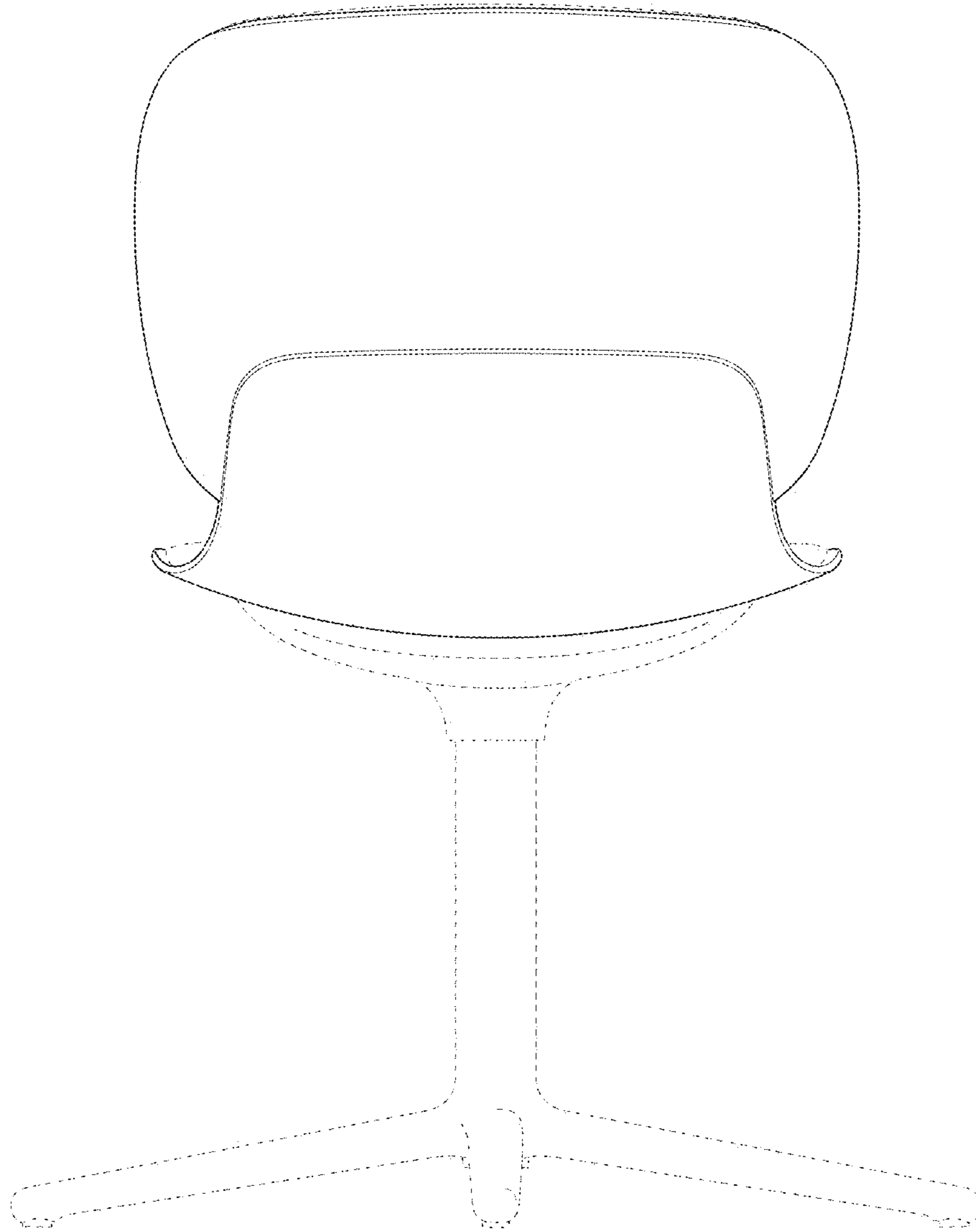


Fig. 4

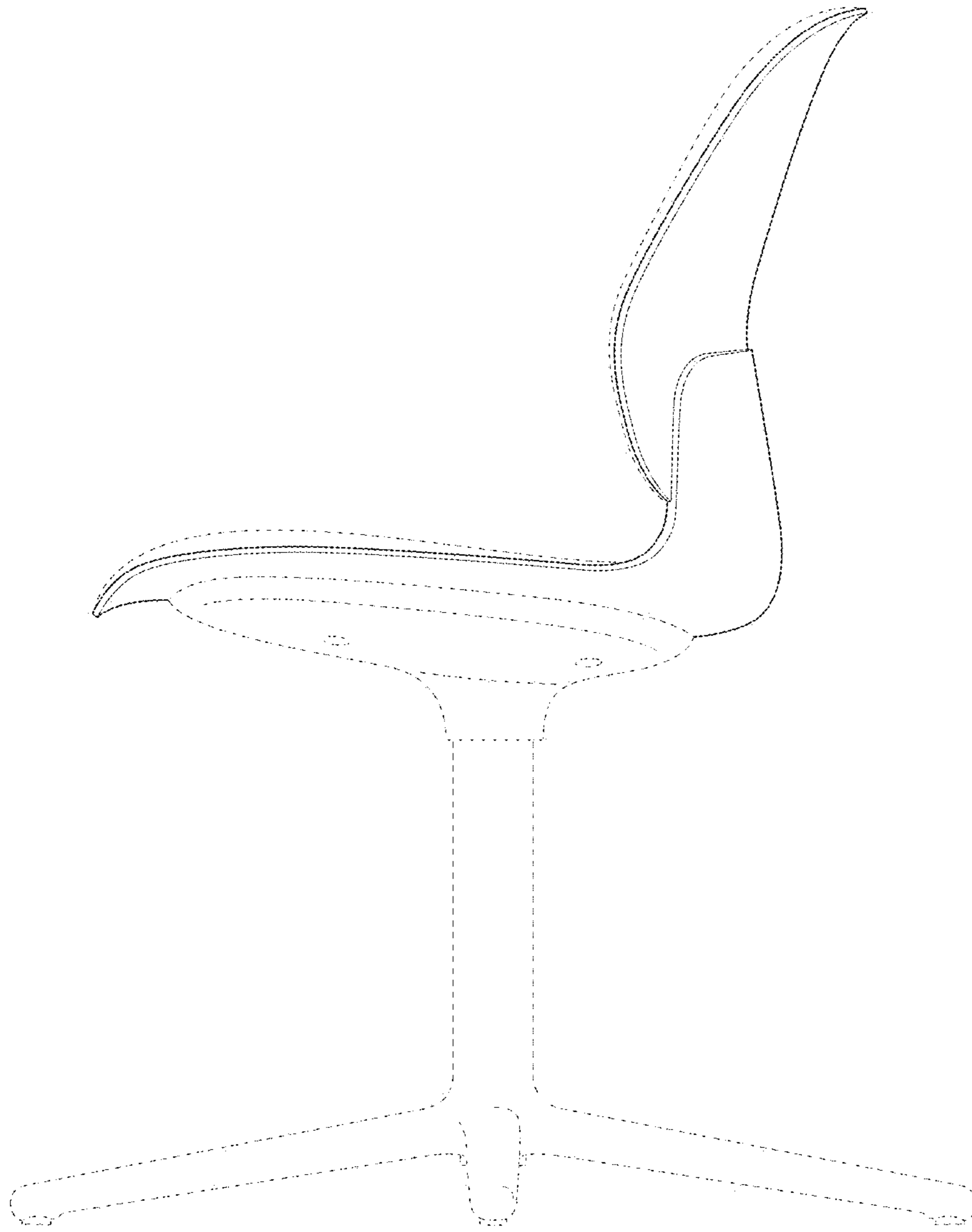


Fig. 5

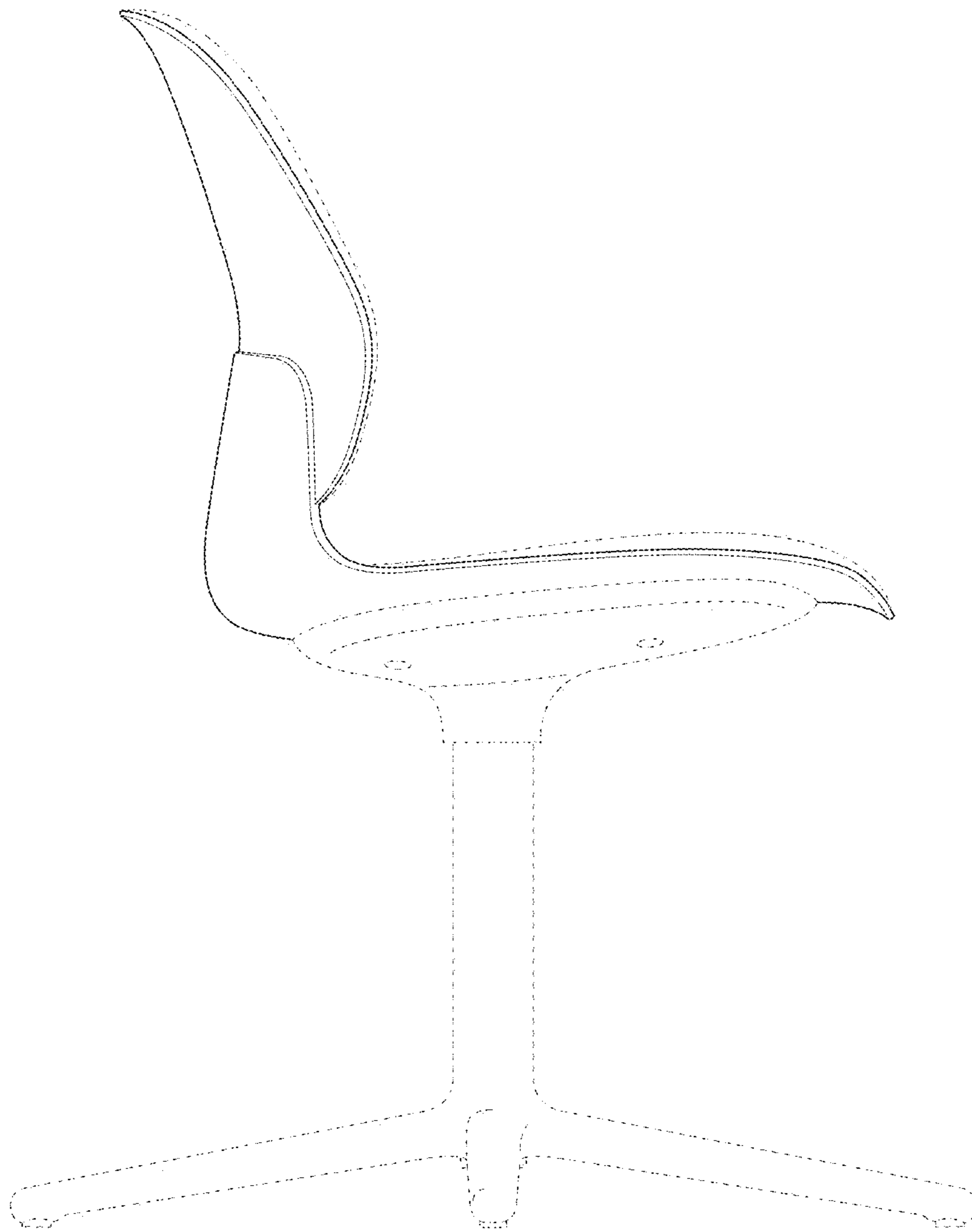


Fig. 6

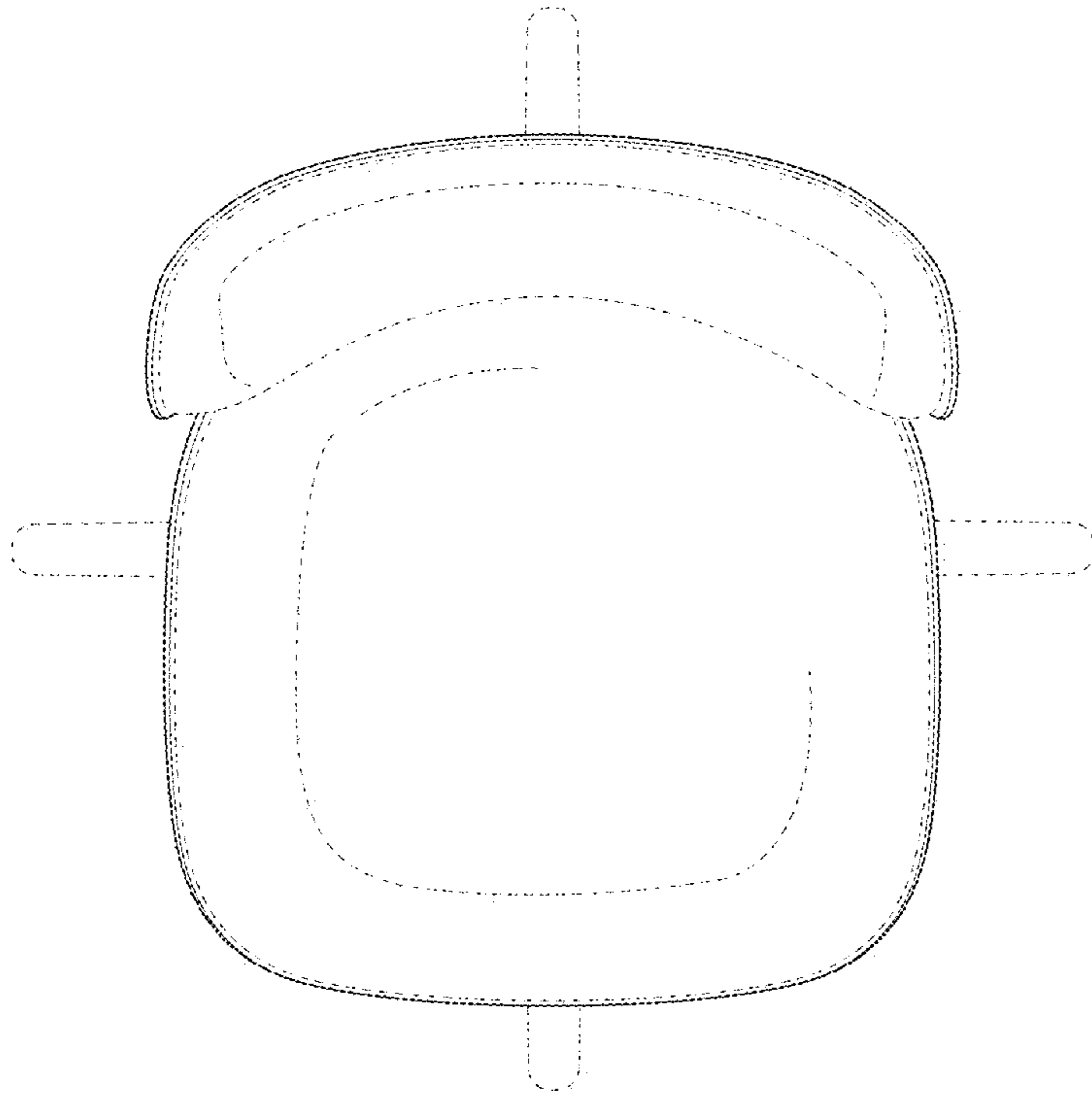


Fig. 7

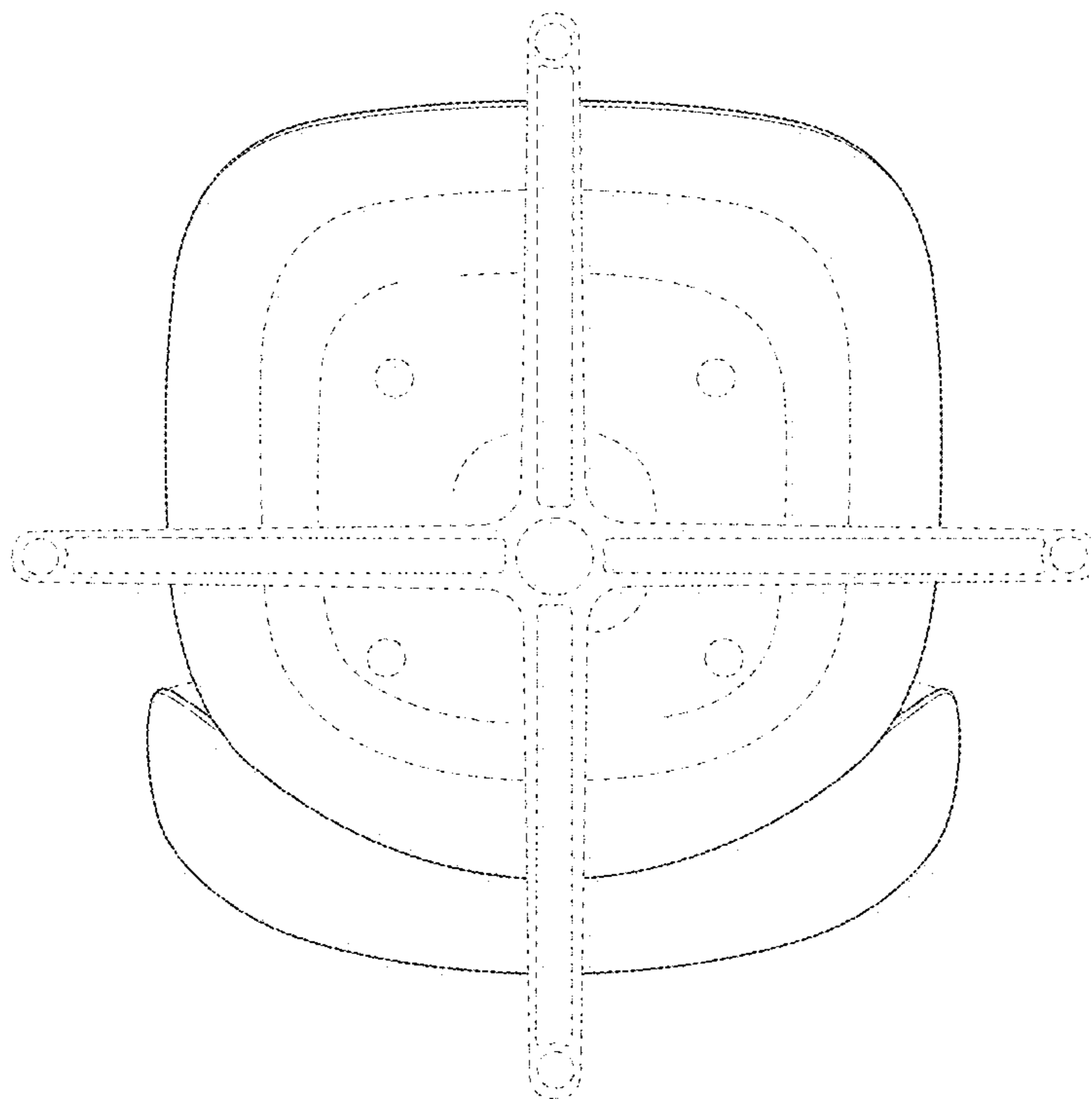


Fig. 8