



US00D878837S

(12) **United States Design Patent**
Reyes

(10) **Patent No.:** **US D878,837 S**

(45) **Date of Patent:** **** *Mar. 24, 2020**

(54) **TABLE**

(71) Applicant: **Lakeshore Equipment Company,**
Carson, CA (US)

(72) Inventor: **Alfredo Reyes,** West Covina, CA (US)

(73) Assignee: **Lakeshore Equipment Company,**
Carson, CA (US)

(*) Notice: This patent is subject to a terminal disclaimer.

(**) Term: **15 Years**

(21) Appl. No.: **29/676,569**

(22) Filed: **Jan. 11, 2019**

(51) **LOC (12) Cl.** **06-06**

(52) **U.S. Cl.**
USPC **D6/707.17**

(58) **Field of Classification Search**
USPC D6/349, 641, 656, 656.13, 691,
D6/691.1-691.9, 702, 707.17, 708,
D6/708.16, 708.17, 708.22, 709, 709.2,
D6/709.21

CPC .. A47B 3/00; A47B 3/12; A47B 13/00; A47B
13/003; A47B 13/02; A47B 13/021; A47B
2013/006; A47B 2013/022; A47B
2013/024; A47B 91/00; A47B 2200/0011;
A47B 2200/0015; A47B 2200/002; A47B
2200/0051; A47B 2200/0052

See application file for complete search history.

(56) **References Cited**

U.S. PATENT DOCUMENTS

D164,075 S	7/1951	Wallance
3,322,384 A	5/1967	Rodwell
D218,903 S	10/1970	Chichester
4,011,821 A	3/1977	Neal
4,039,133 A	8/1977	Streicher

D262,931 S *	2/1982	LeVan	D7/505
D263,192 S	3/1982	LeVan		
D266,127 S	9/1982	Chapin		
D271,551 S	11/1983	Rausch		
D289,577 S	4/1987	Graham		
D294,318 S	2/1988	Zapf		
4,848,245 A	7/1989	Piretti		
D358,078 S *	5/1995	Klein	A47B 13/02 D6/692.5
D369,925 S *	5/1996	Keller	D6/688.13
D395,771 S	7/1998	Kelly et al.		
D449,185 S	10/2001	Solloway		

(Continued)

OTHER PUBLICATIONS

Flex-Space Write & Wipe Mobile Rectangular Table—Lakeshore Learning <https://www.lakeshorelearning.com/products/classroom-furniture/tables-desks/flex-space-write-wipe-mobile-rectangular-table/p/LC663> retrieved from the internet on Oct. 30, 2019.*

(Continued)

Primary Examiner — Mary Ann Calabrese

(74) *Attorney, Agent, or Firm* — Banner & Witcoff, Ltd.

(57) **CLAIM**

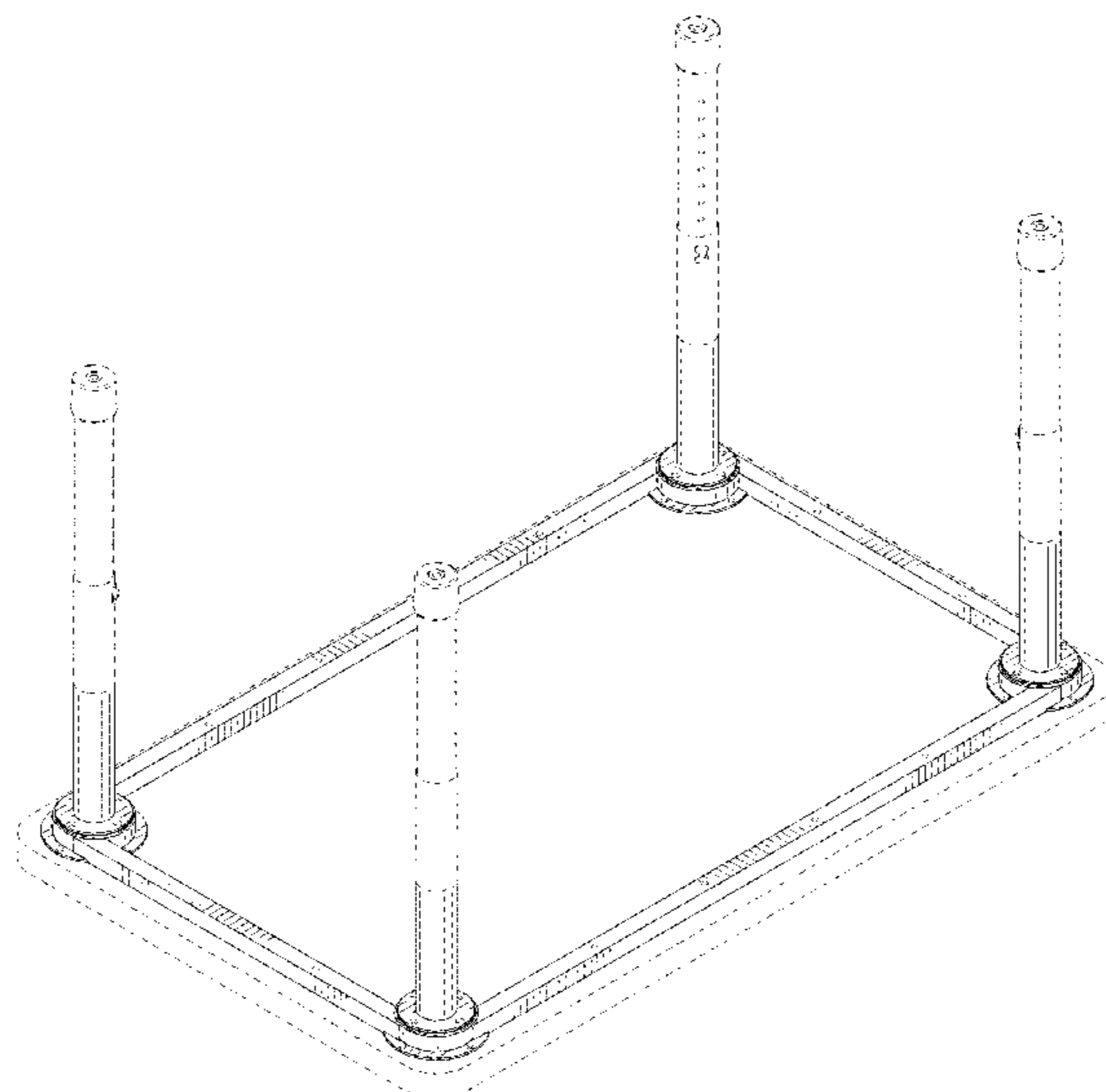
The ornamental design for a table, as shown and described.

DESCRIPTION

FIG. 1 is a bottom, front, left perspective view of a table showing my new design;
FIG. 2 is a front view thereof;
FIG. 3 is a rear view thereof;
FIG. 4 is a left side view thereof;
FIG. 5 is a right side view thereof; and,
FIG. 6 is a bottom view thereof.

The broken lines showing the circular unshaded regions within the shaded area represent screw holes that form no part of the claimed design. The broken lines depicting the remainder of the table show features that form no part of the claimed design.

1 Claim, 6 Drawing Sheets



(56)

References Cited

U.S. PATENT DOCUMENTS

D455,300 S	4/2002	Davies et al.	
D481,229 S	10/2003	Weaver	
D486,665 S	2/2004	Weaver	
D493,983 S	8/2004	Di Guglielmo et al.	
D586,158 S	2/2009	Thomkins	
D668,084 S	10/2012	Lehman-Smith	
D681,370 S	5/2013	Hagberg et al.	
D788,503 S	6/2017	Duvigneau	
D851,972 S *	6/2019	Reyes	D6/707.17
D855,363 S *	8/2019	Grossinger	D6/691
2003/0167982 A1 *	9/2003	Yang	A47B 13/02 108/155

OTHER PUBLICATIONS

U.S. Appl. No. 29/676,575, filed Jan. 11, 2019, by Alfredo Reyes.
U.S. Appl. No. 29/676,581, filed Jan. 11, 2019, by Alfredo Reyes.
“Gerton”; IKEA; Retrieved: Jan. 23, 2019; URL: https://www.ikea.com/us/en/assembly_instructions/gerton-leg-adjustable_AA-940607-4_pub.pdf.

* cited by examiner

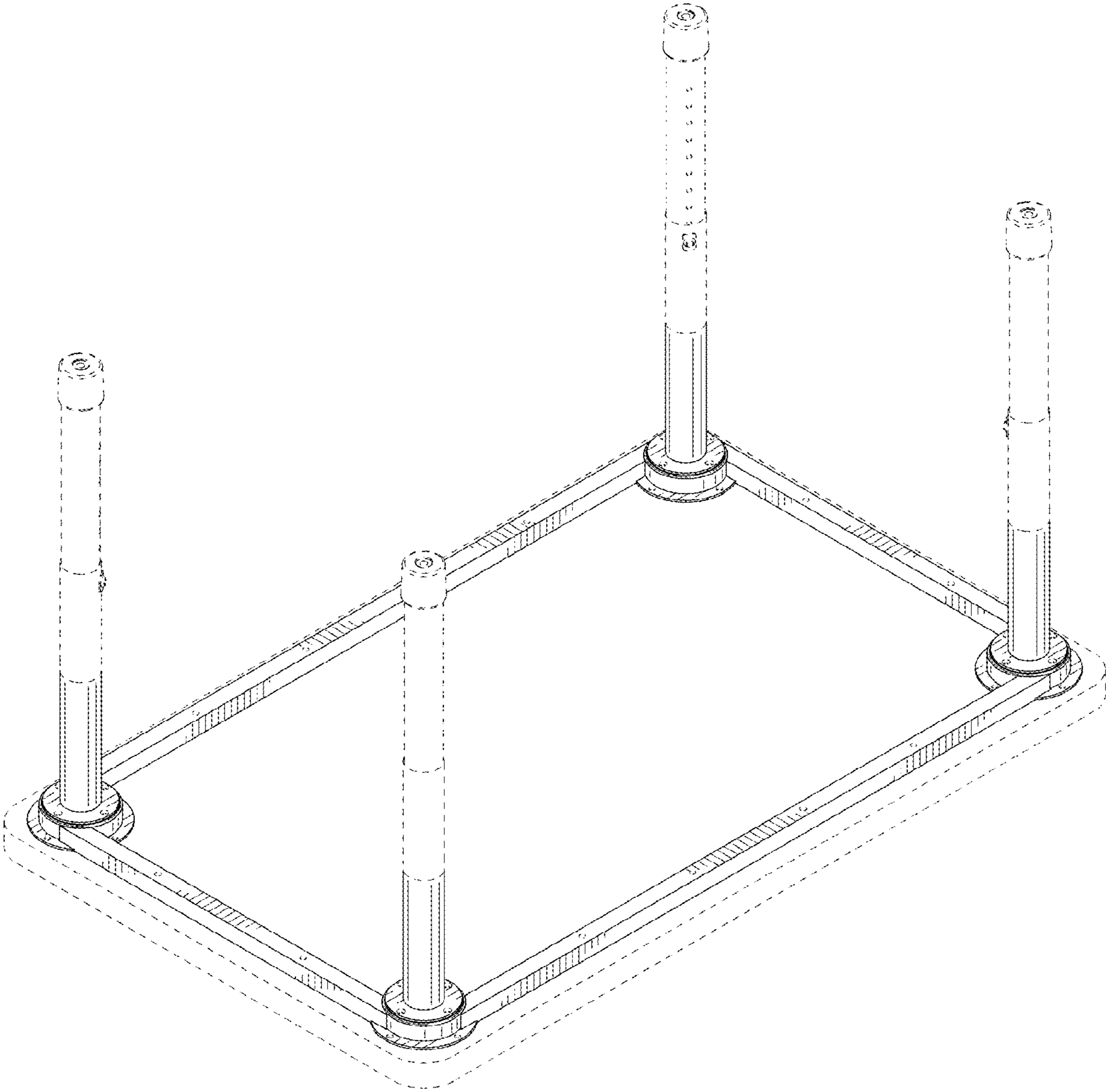


FIG. 1



FIG. 2



FIG. 3

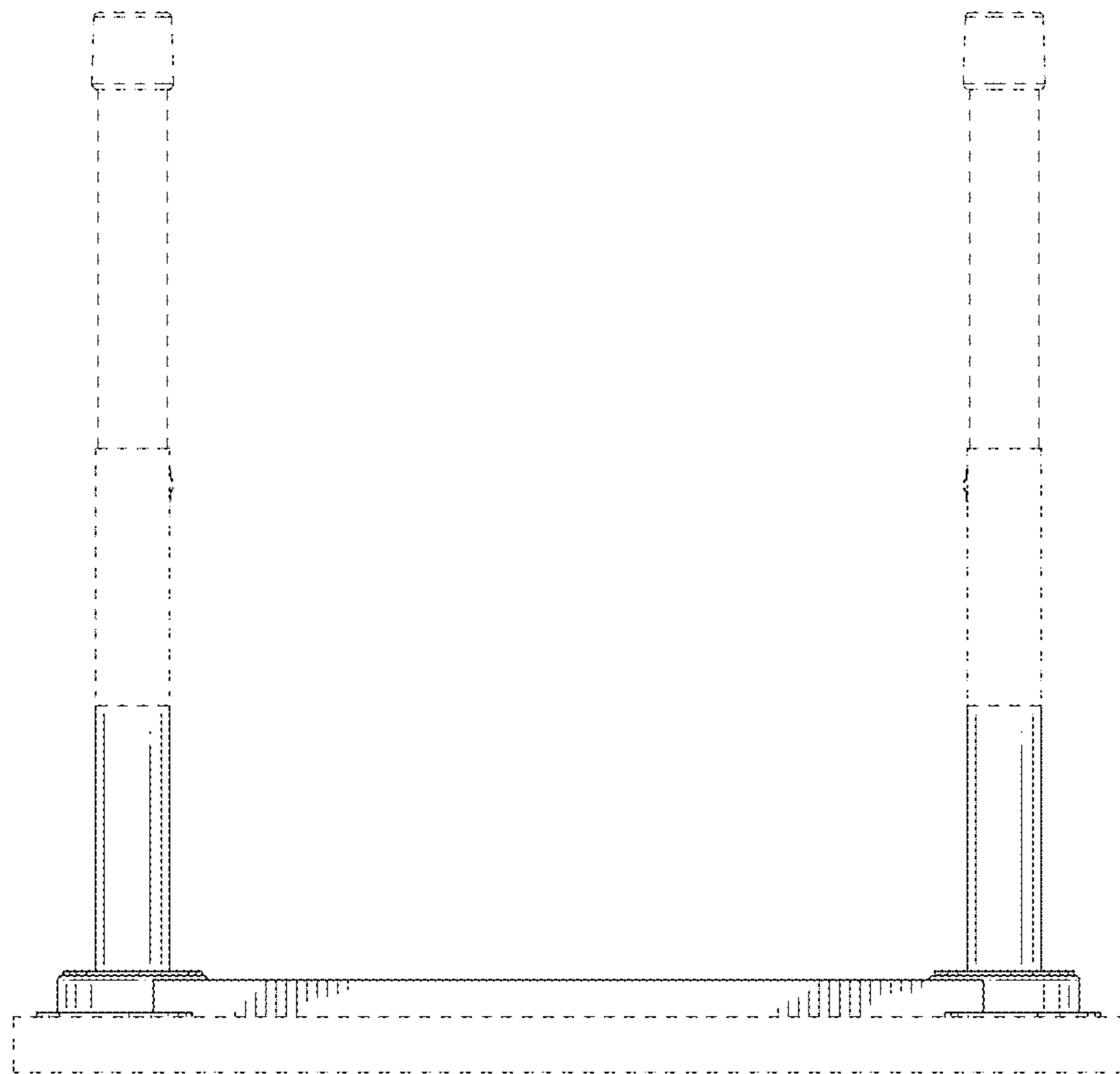


FIG. 4

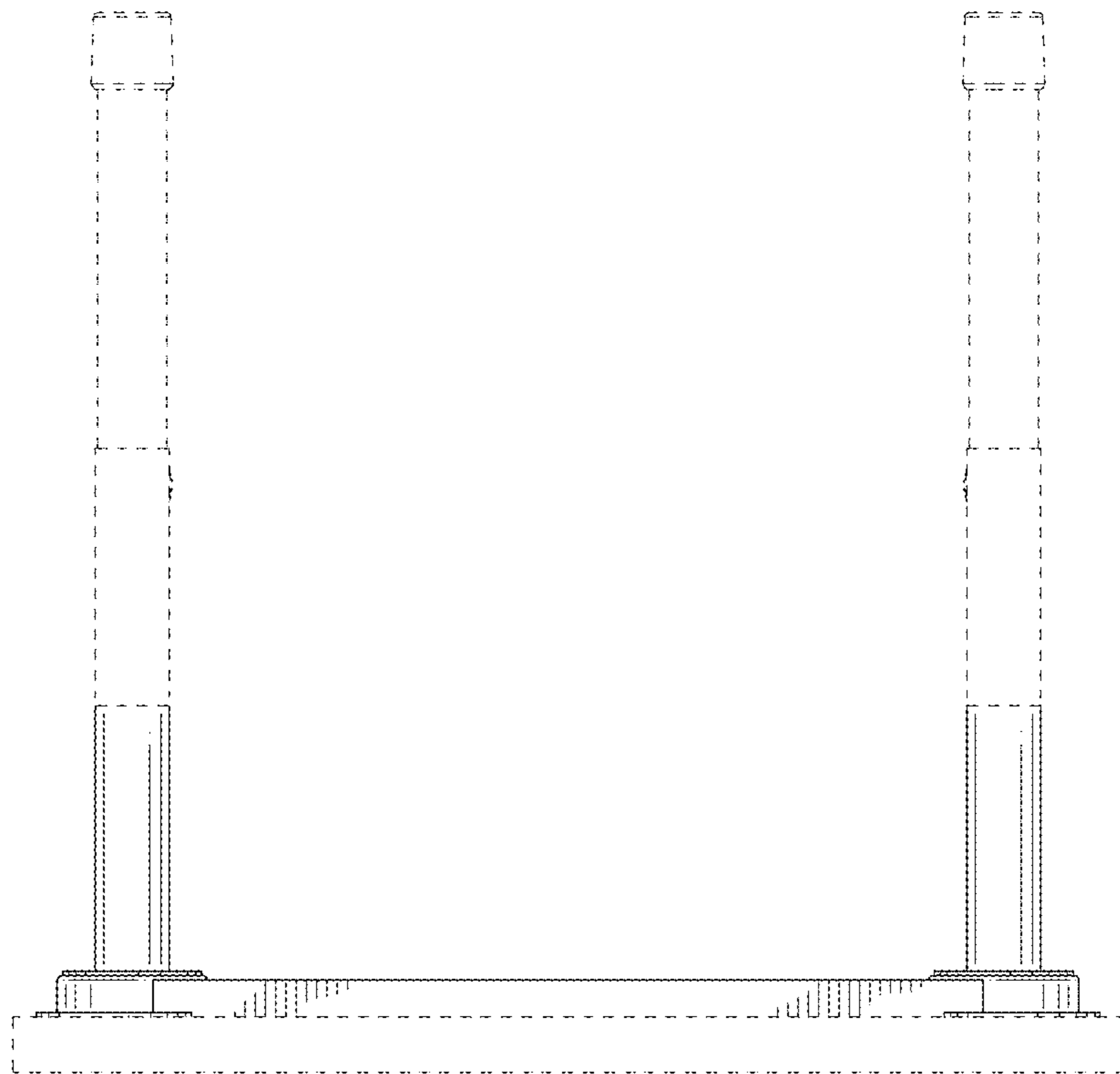


FIG. 5

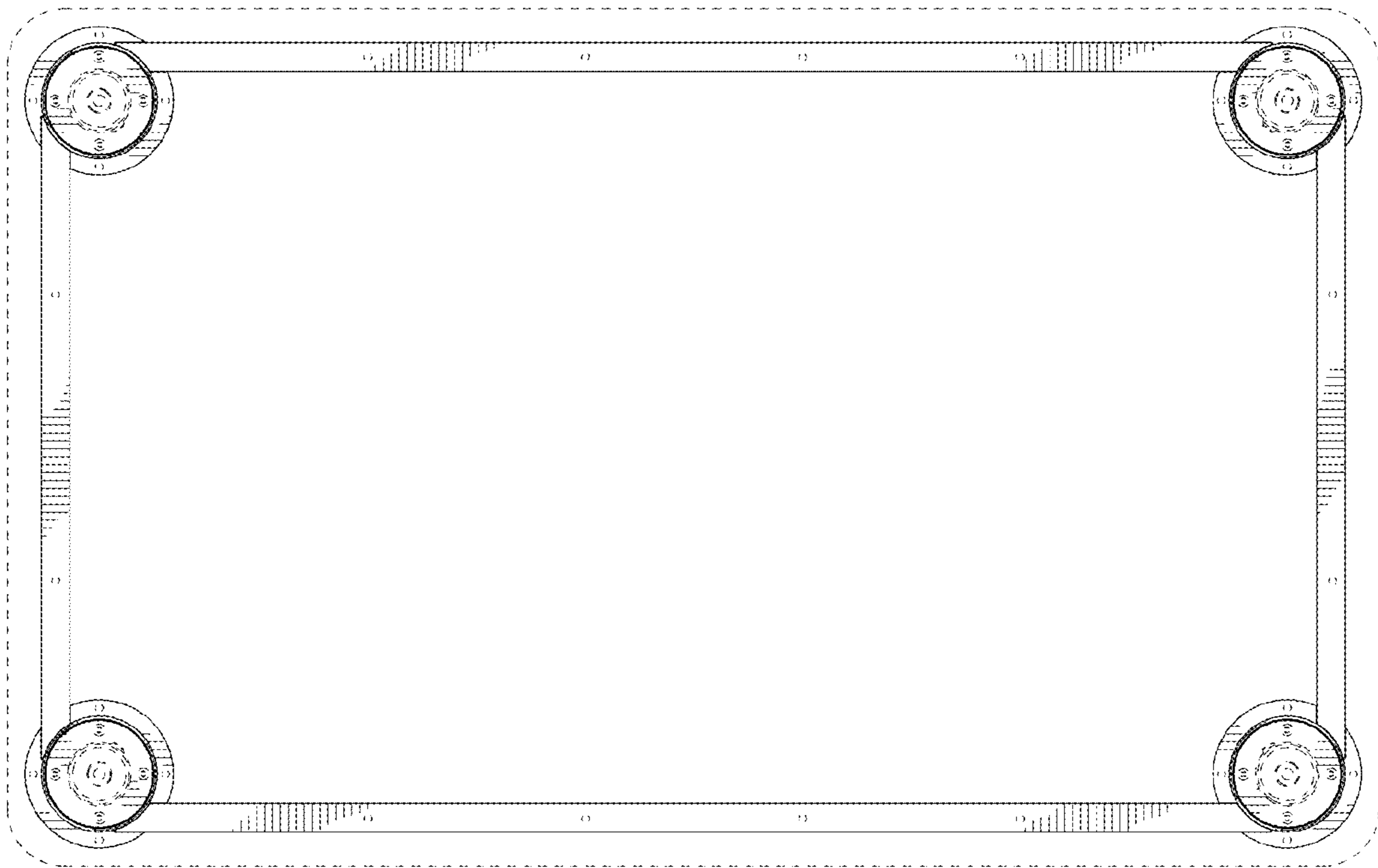


FIG.6