



US00D878835S

(12) **United States Design Patent**
Davis et al.

(10) **Patent No.:** **US D878,835 S**
(45) **Date of Patent:** **** Mar. 24, 2020**

- (54) **TABLE**
- (71) Applicant: **WALKER EDISON FURNITURE COMPANY, LLC**, Salt Lake City, UT (US)
- (72) Inventors: **Matthew Davis**, Murray, UT (US);
Brad Bonham, Draper, UT (US);
Richard Packer, Kaysville, UT (US)
- (73) Assignee: **WALKER EDISON FURNITURE COMPANY LLC**, Salt Lake City, UT (US)
- (**) Term: **15 Years**
- (21) Appl. No.: **29/634,898**
- (22) Filed: **Jan. 25, 2018**
- (51) **LOC (12) Cl.** **06-03**
- (52) **U.S. Cl.**
USPC **D6/692.4**
- (58) **Field of Classification Search**
USPC D6/369, 668, 672, 677, 685, 686, 687,
D6/689, 692, 692.1-692.6, 696, 698, 702,
D6/703.1, 707.18, 707.2, 708, 708.15,
D6/708.17, 708.2, 708.23
CPC A47B 7/00; A47B 11/00; A47B 13/12;
A47B 3/08; A47B 3/0803; A47B 49/004;
A47B 13/023; A47B 2013/024; A47B
2013/025; A47B 2013/026; A47B
2013/027; A47B 13/086
See application file for complete search history.

- D821,128 S * 6/2018 Pocci D6/692.3
- D836,959 S * 1/2019 de la Haye D6/692.4
- D836,960 S * 1/2019 Rockwell D6/692.4
- D837,581 S * 1/2019 Velez D6/708.16
- 2002/0126499 A1* 9/2002 Bender A47B 13/12
362/551
- 2017/0354243 A1* 12/2017 Egerhazy A47B 7/00

OTHER PUBLICATIONS

Adrianna, posted at Wayfair.com, posted on Jul. 16, 2017, site visited Sep. 24, 2019. online, available from internet: <https://www.wayfair.com/furniture/pdp/everly-quinn-adrianna-2-piece-coffee-table-set-evyn1394.html> (Year: 2017).*

Dunavant, posted at Wayfair.com, posted on Aug. 1, 2017, site visited Sep. 24, 2019. online, available from internet: <https://www.wayfair.com/furniture/pdp/mercury-row-dunavant-wood-2-piece-coffee-table-set-with-tray-top-mcrw6782.html?piid=24759596> (Year: 2017).*

(Continued)

Primary Examiner — Mary Ann Calabrese
Assistant Examiner — Catherine Ho
(74) *Attorney, Agent, or Firm* — Workman Nydegger

(57) **CLAIM**

The ornamental design for a table, as shown and described.

DESCRIPTION

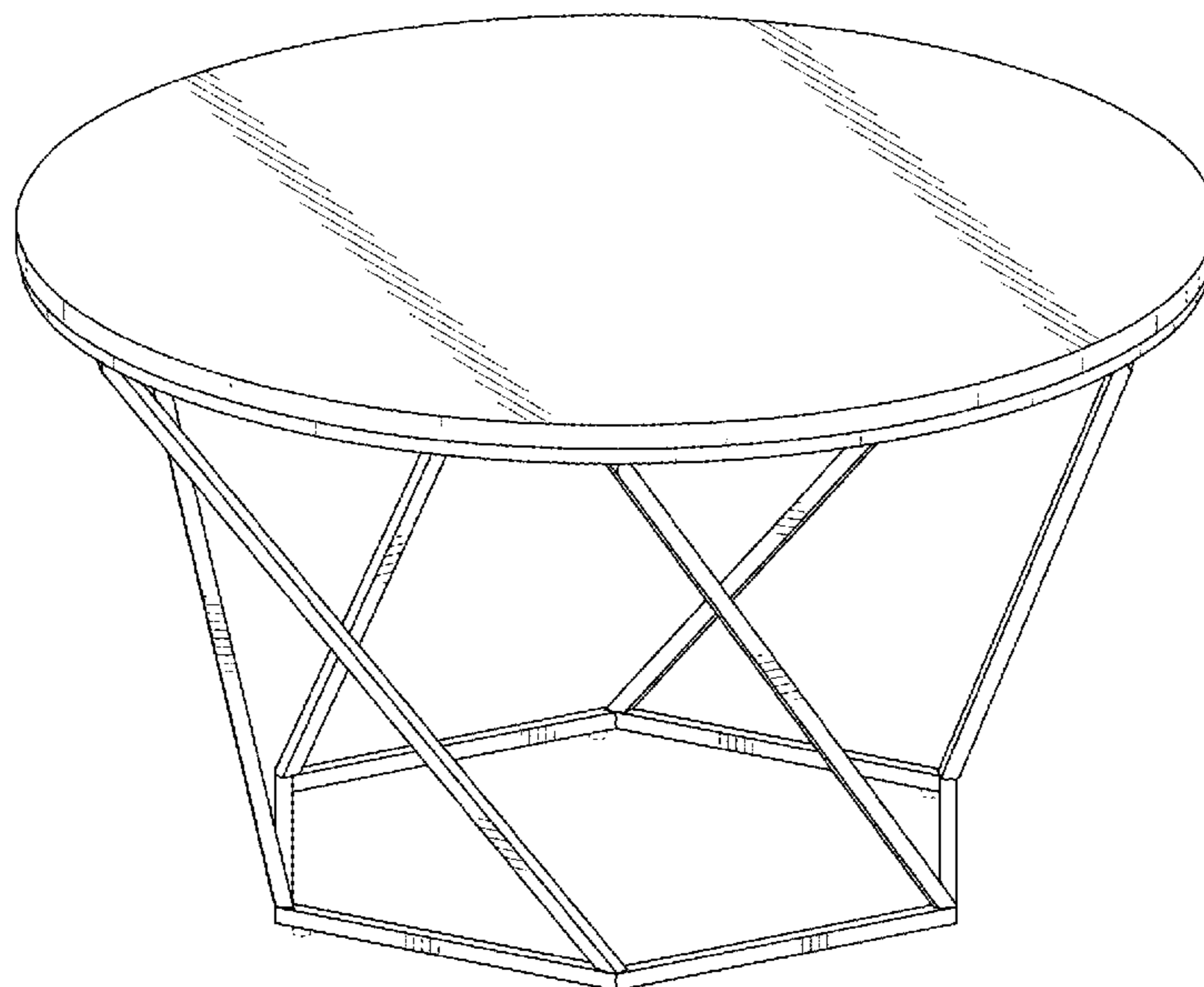
FIG. 1 is a front perspective view of a table showing the new design;
FIG. 2 is a front elevation view thereof;
FIG. 3 is a back elevation view thereof;
FIG. 4 is a top plan view thereof;
FIG. 5 is a bottom plan view thereof;
FIG. 6 is a right elevation view thereof; and,
FIG. 7 is a left elevation view thereof.
The broken lines in the drawings illustrate portions of the table that form no part of the claimed design.

1 Claim, 4 Drawing Sheets

(56) **References Cited**

U.S. PATENT DOCUMENTS

- D267,609 S * 1/1983 Reistetter D6/692.5
- D471,742 S * 3/2003 Muller D6/692.5
- D722,799 S * 2/2015 Urban D6/692.4
- 9,049,922 B2 * 6/2015 Schlueter A47B 7/00



(56)

References Cited

OTHER PUBLICATIONS

Arbor, posted at Architonic.com, launched in 2017, site visited Sep. 24, 2019. online, available from internet: <https://www.architonic.com/en/product/bonaldo-arbor/1464659> (Year: 2017).*

Tatlin, posted at Architonic.com, launched in 2017, site visited Sep. 24, 2019. online, available from internet: <https://www.architonic.com/en/product/marelli-tatlin-coffee-table/1534573> (Year: 2017).*

* cited by examiner

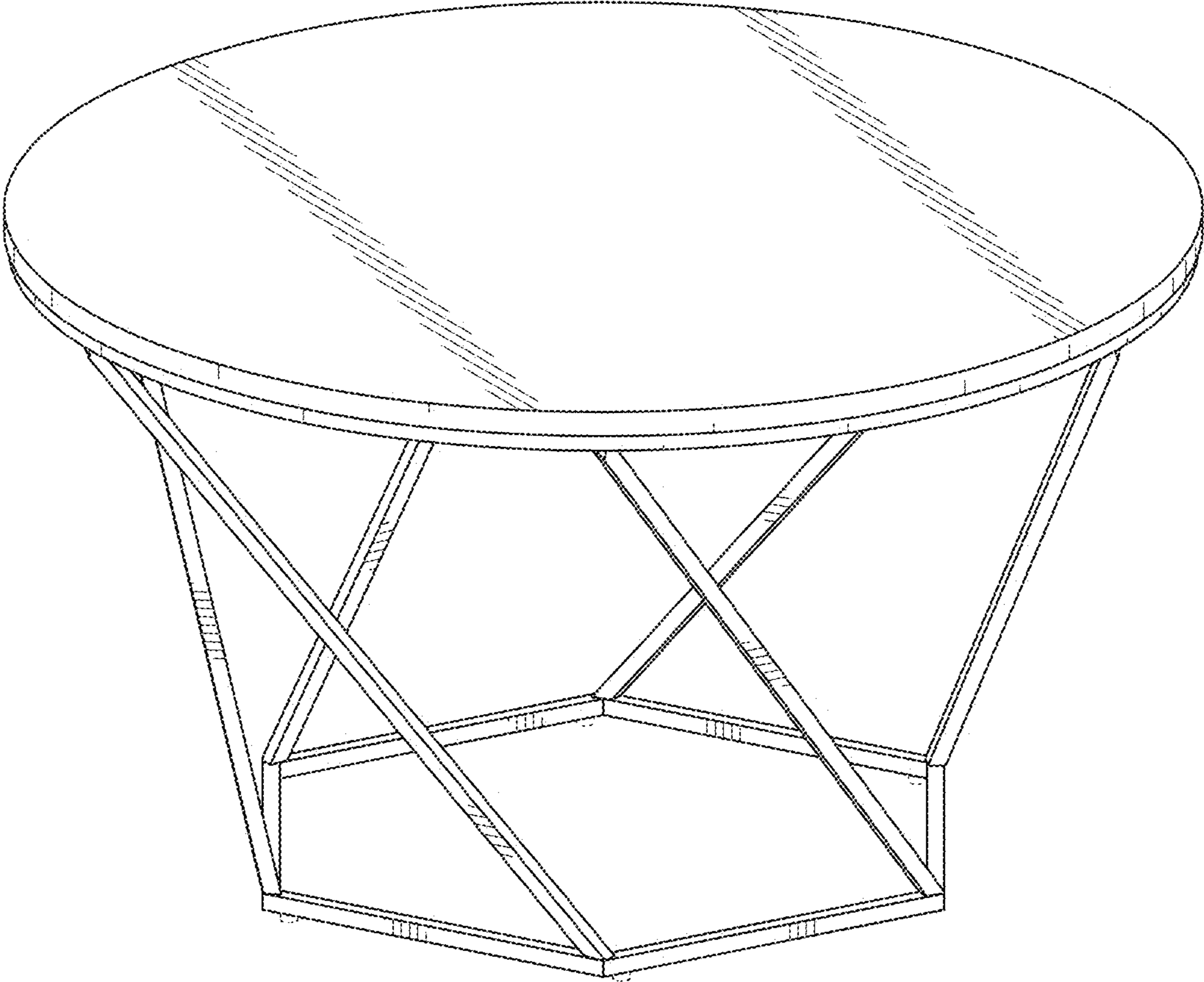


FIG. 1

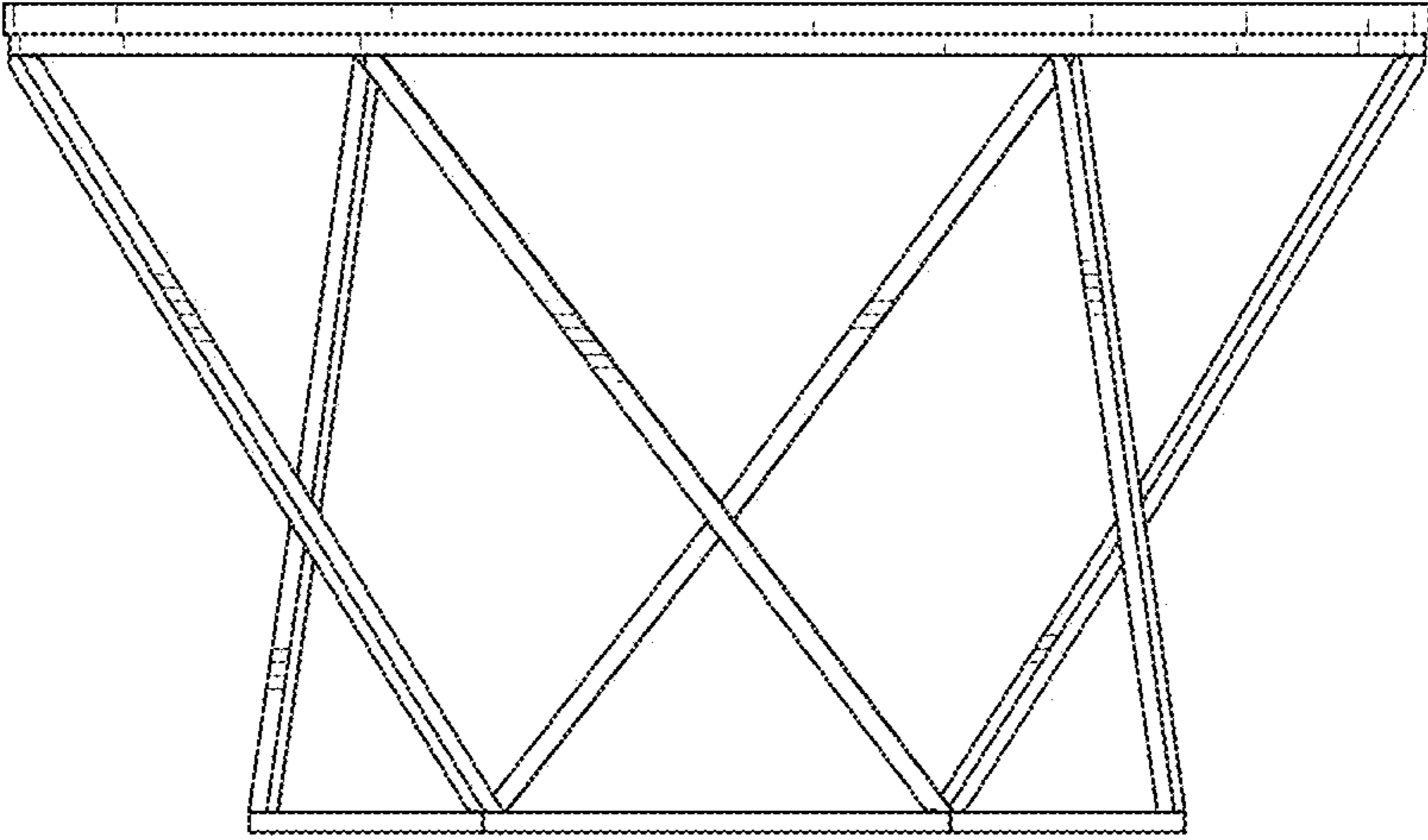


FIG. 2

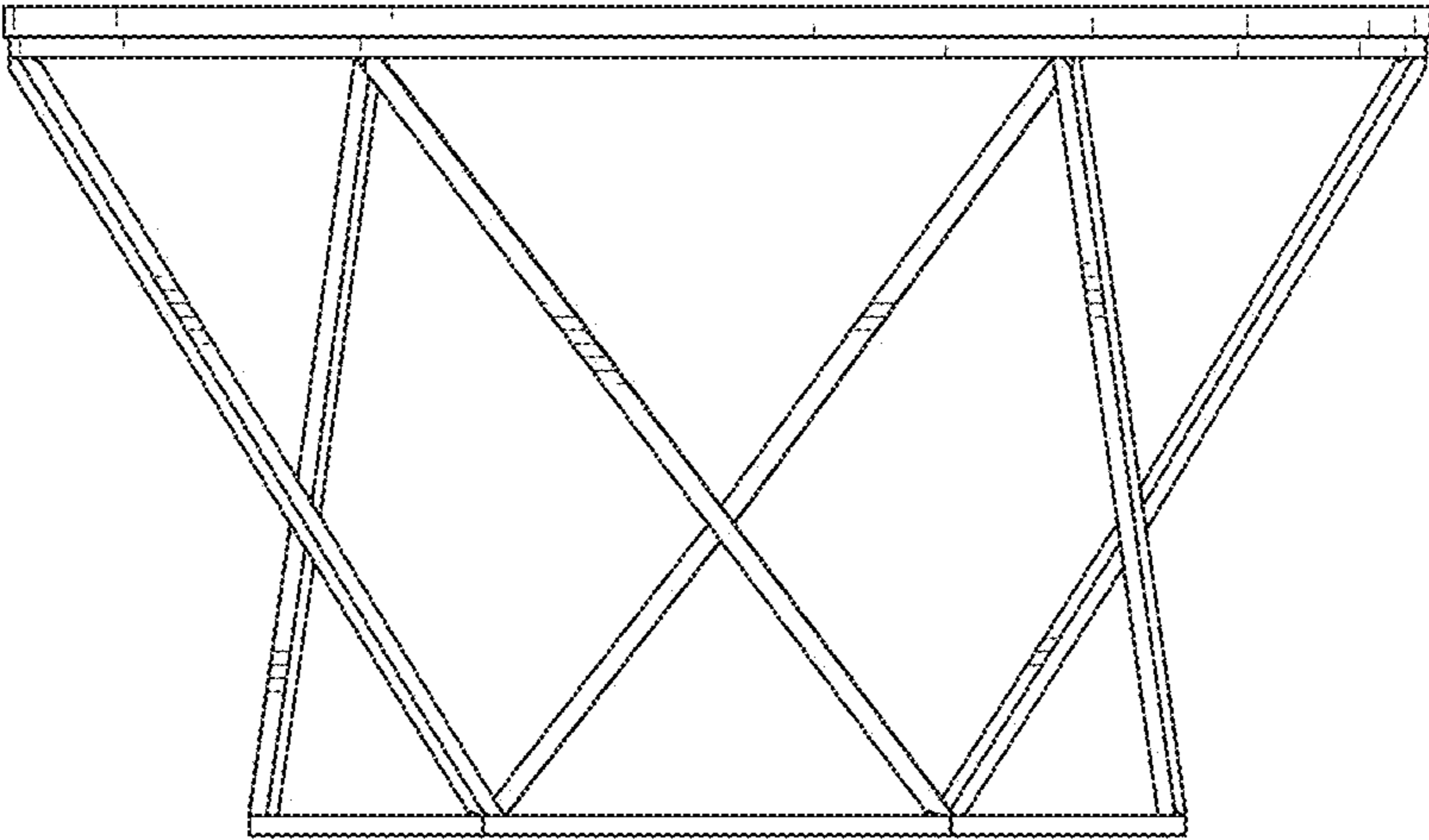


FIG. 3

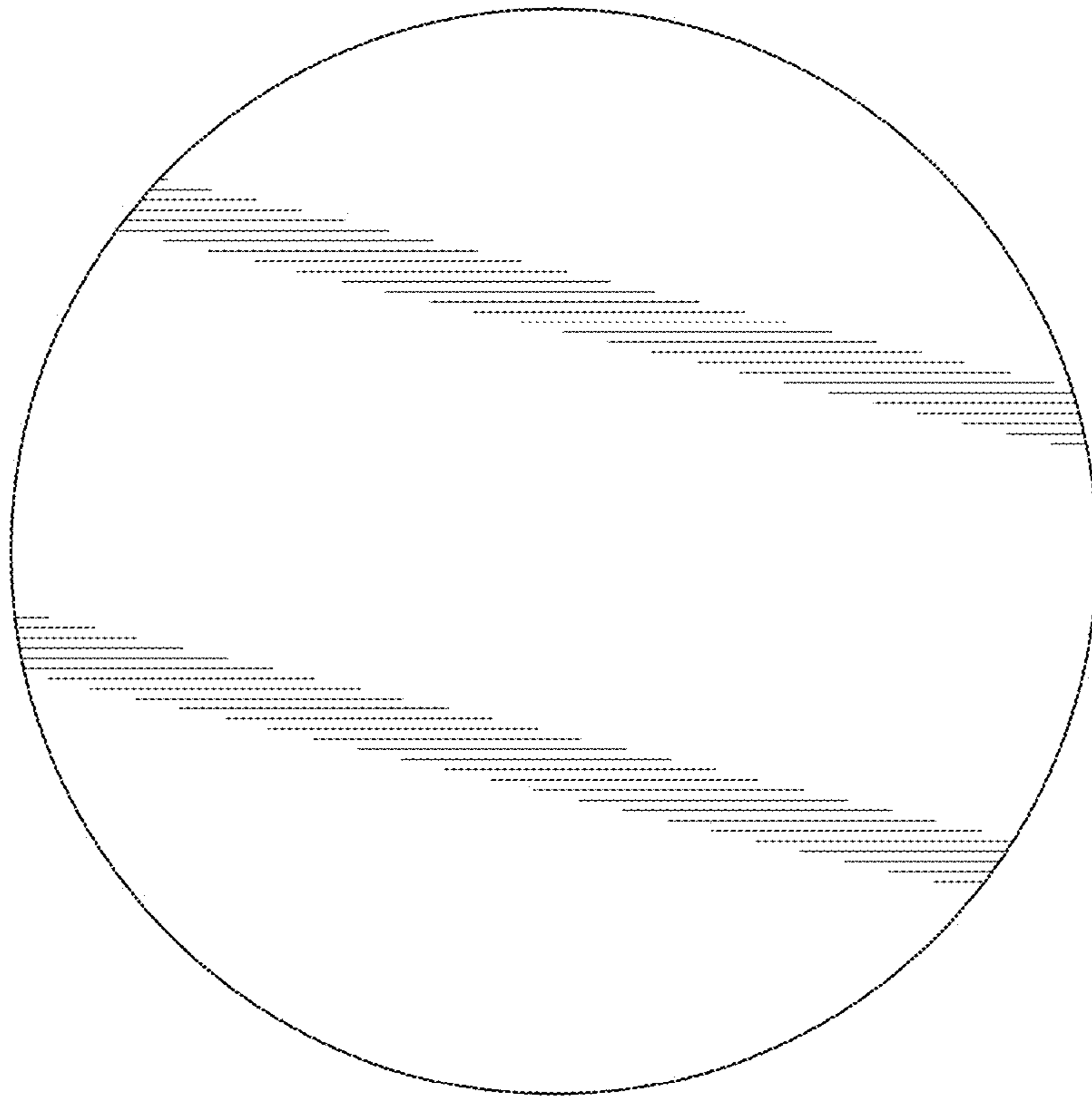


FIG. 4

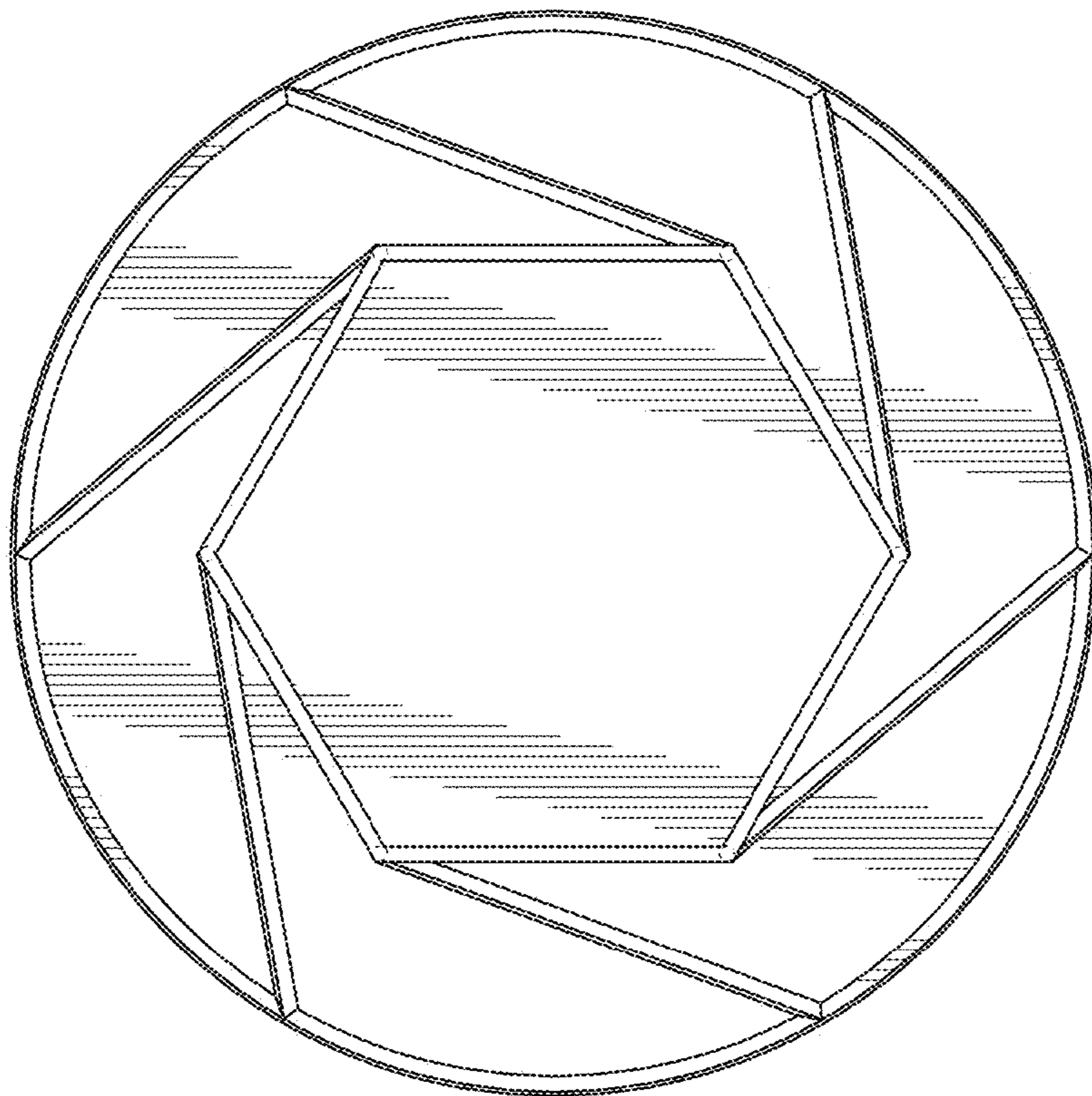


FIG. 5

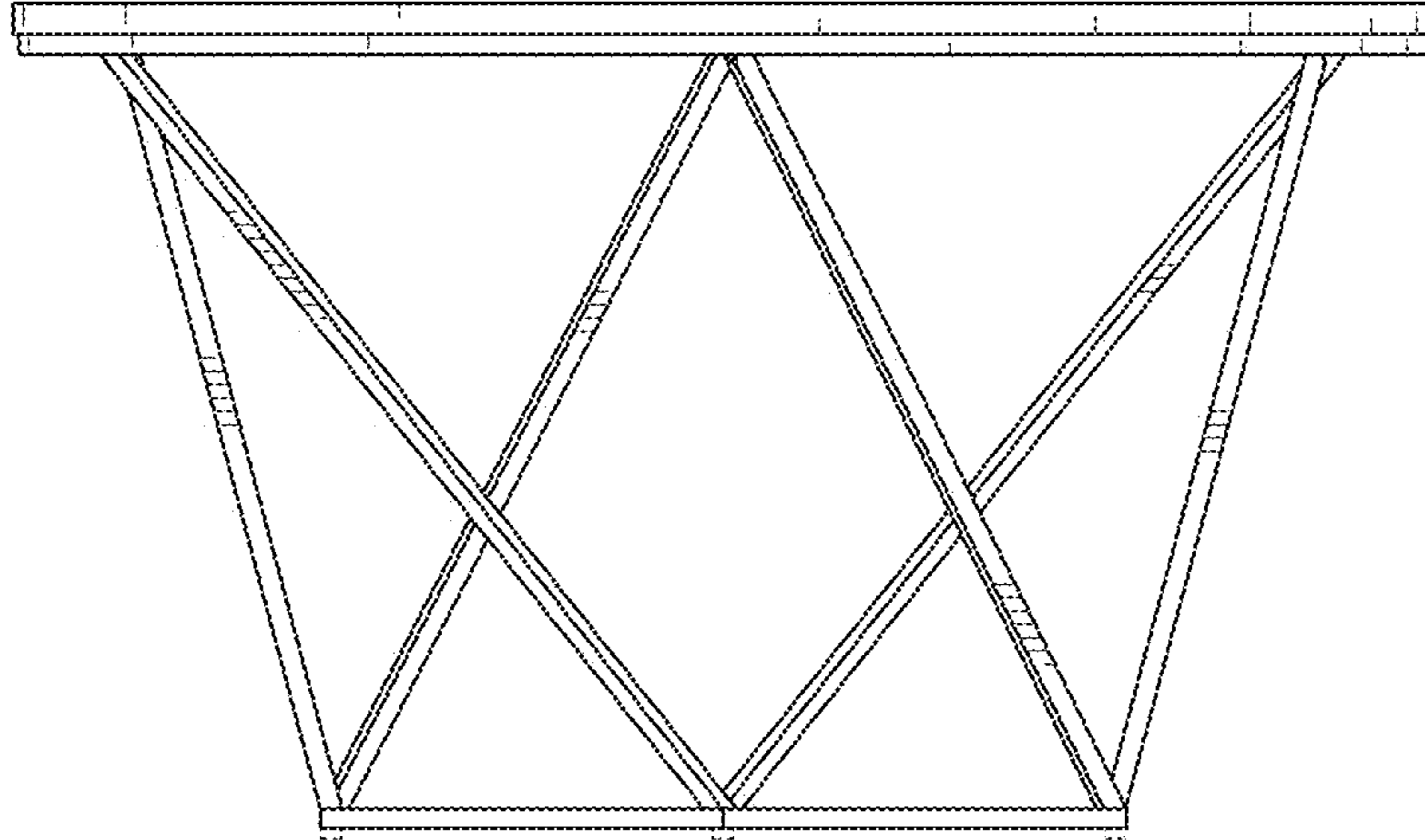


FIG. 6

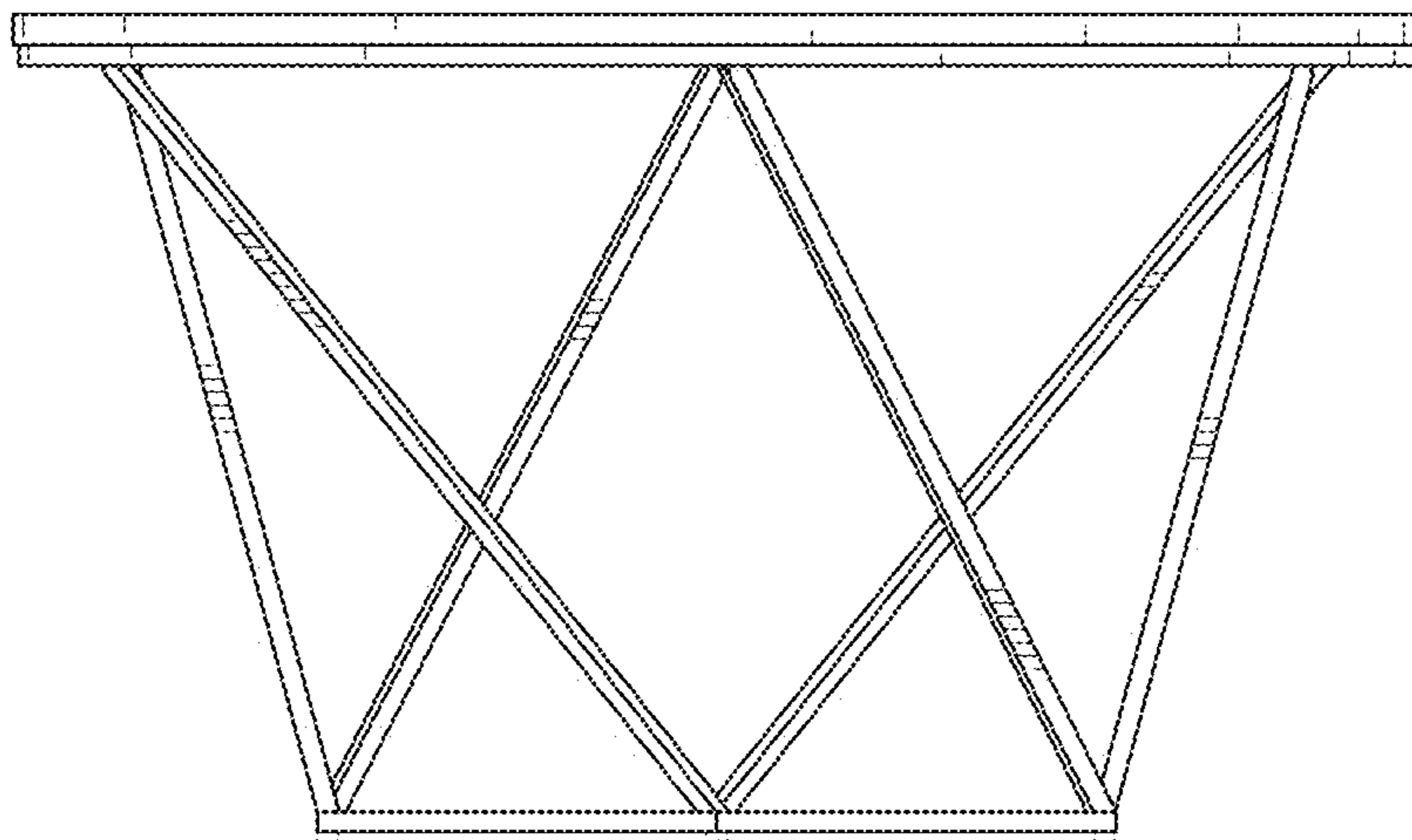


FIG. 7