

US00D878834S

(12) **United States Design Patent**  
**Johnson et al.**

(10) **Patent No.:** **US D878,834 S**

(45) **Date of Patent:** **\*\* Mar. 24, 2020**

(54) **DISPLAY UNIT**

(71) Applicant: **Target Brands, Inc.**, Minneapolis, MN (US)

(72) Inventors: **Jason W. Johnson**, Wayzata, MN (US);  
**Blake M. Johnson**, St. Paul, MN (US);  
**Jeremiah J. Albrecht**, Minneapolis, MN (US)

(73) Assignee: **Target Brands, Inc.**, Minneapolis, MN (US)

(\*\*) Term: **15 Years**

(21) Appl. No.: **29/704,909**

(22) Filed: **Sep. 9, 2019**

**Related U.S. Application Data**

(63) Continuation of application No. 16/196,146, filed on Nov. 20, 2018.

(51) **LOC (12) Cl.** ..... **06-06**

(52) **U.S. Cl.**  
USPC ..... **D6/683.1**

(58) **Field of Classification Search**  
USPC ..... D6/672, 673, 675, 675.1, 683, 683.1;  
D9/730, 737, 756, 432  
CPC ..... A47F 1/00; A47F 5/0018; A47F 5/0025;  
A47B 55/06  
See application file for complete search history.

(56) **References Cited**

**U.S. PATENT DOCUMENTS**

- 1,477,428 A \* 12/1923 Corbett ..... A47F 3/06  
211/79
- D93,082 S \* 8/1934 Wright ..... D6/683.1
- D122,189 S \* 8/1940 Vaughn ..... D6/683.1
- D156,544 S \* 12/1949 Lebow ..... D6/678.2

- D158,777 S \* 5/1950 Malkin ..... D6/683.1
- D173,627 S \* 12/1954 Nichols ..... D6/678.3
- 2,919,034 A 12/1959 Levy
- 2,998,107 A 8/1961 Zimmerla
- D192,623 S \* 4/1962 De Nys ..... D6/662.1
- 3,667,826 A 6/1972 Wood et al.
- D231,760 S \* 6/1974 Molzen ..... D6/571
- D279,528 S \* 7/1985 Kingsley ..... D6/683.1
- D286,834 S \* 11/1986 Wilken ..... D28/73
- D297,084 S \* 8/1988 Silver ..... D6/683.1
- D302,632 S \* 8/1989 Rees ..... D6/683.1
- 4,925,038 A 5/1990 Gajewski
- 5,048,699 A 9/1991 Trevaskis
- 5,272,991 A 12/1993 Carrigan, Jr.
- D372,815 S \* 8/1996 Bird ..... D6/683.1
- 5,553,723 A 9/1996 Stein
- D393,554 S \* 4/1998 Baluk ..... D6/683.1
- D398,461 S \* 9/1998 Baluk ..... D6/683.1
- D398,462 S \* 9/1998 Baluk ..... D6/683.1
- 5,918,750 A 7/1999 Jackson
- 6,029,833 A 2/2000 Yeh

(Continued)

*Primary Examiner* — Kelley A Donnelly

(74) *Attorney, Agent, or Firm* — Leanne Taveggia Farrell; Westman, Champlin & Koehler, P.A.

(57) **CLAIM**

The ornamental design for a display unit, as shown and described.

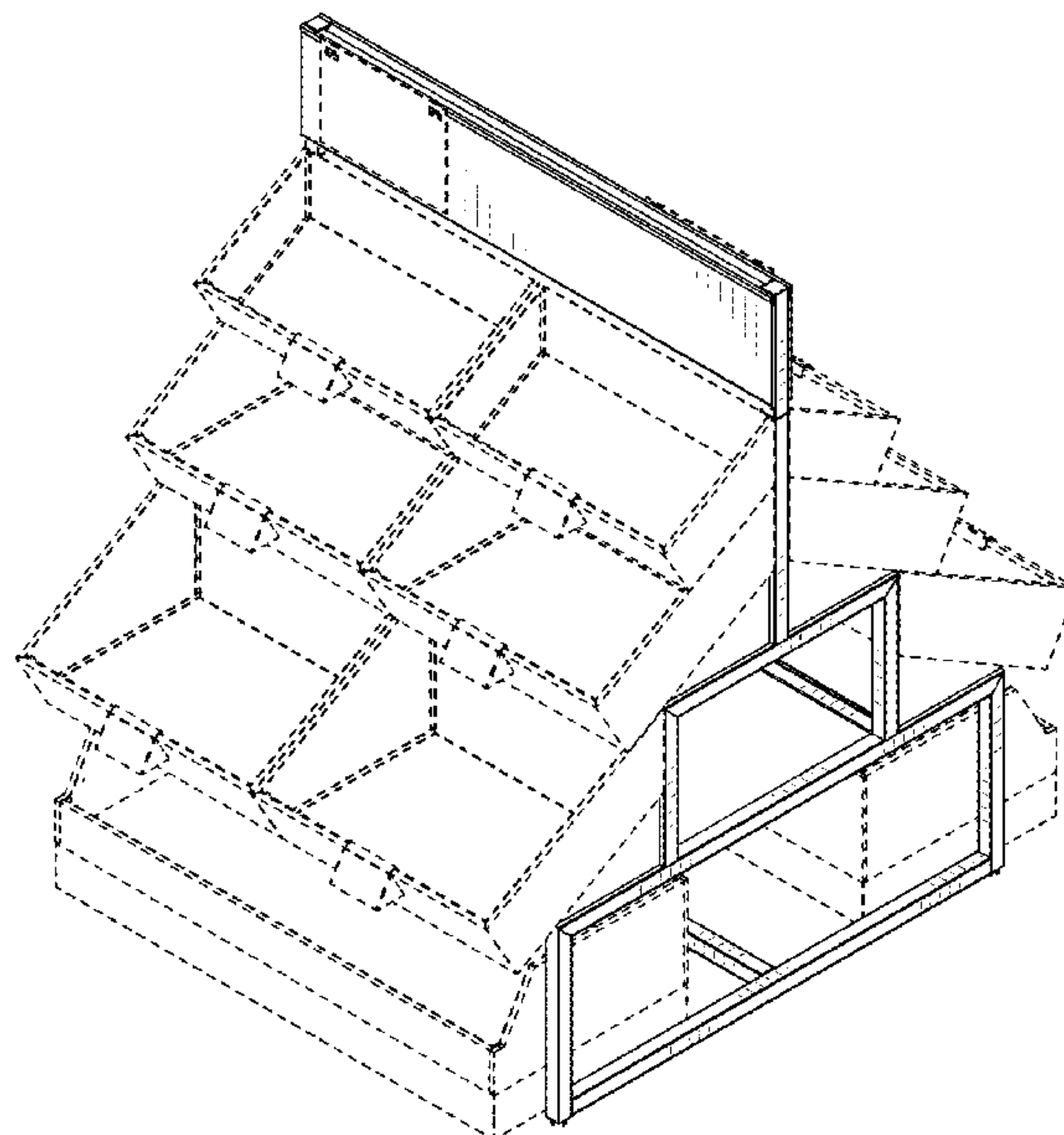
**DESCRIPTION**

FIG. 1 is a perspective view of a first embodiment of a display unit showing our new design; FIG. 2 is a front view thereof, the back view being identical; FIG. 3 is a right side view thereof, the left side view being identical; and,

FIG. 4 is a top view thereof.

The broken lines shown in the drawings are included for purposes of illustrating portions of the display unit and form no part of the claimed design.

**1 Claim, 4 Drawing Sheets**



(56)

References Cited

U.S. PATENT DOCUMENTS

D427,824	S	7/2000	Osburn et al.	
D431,396	S *	10/2000	Guttman .....	D6/675.4
6,364,137	B1	4/2002	Glauth et al.	
6,783,012	B2	8/2004	Webb	
D624,334	S *	9/2010	Linder .....	D6/683.1
D734,958	S *	7/2015	Gosling .....	D6/556
D758,105	S *	6/2016	Taraczky .....	D6/672
D834,859	S *	12/2018	Hawkins .....	D6/675.4
D844,349	S *	4/2019	Burton .....	D6/672
D848,768	S *	5/2019	Johnson .....	D6/662.1
D866,226	S *	11/2019	Burton .....	D6/672
10,477,984	B2 *	11/2019	Arnold .....	A47F 7/146
2008/0128414	A1 *	6/2008	Braun .....	A47F 13/085 220/23.4
2016/0286985	A1	10/2016	Shamp et al.	
2018/0293919	A1 *	10/2018	Ertl .....	G09F 7/18
2019/0021521	A1 *	1/2019	Kula .....	A47F 5/101
2019/0307266	A1 *	10/2019	Santarelli .....	A47F 5/0062

\* cited by examiner

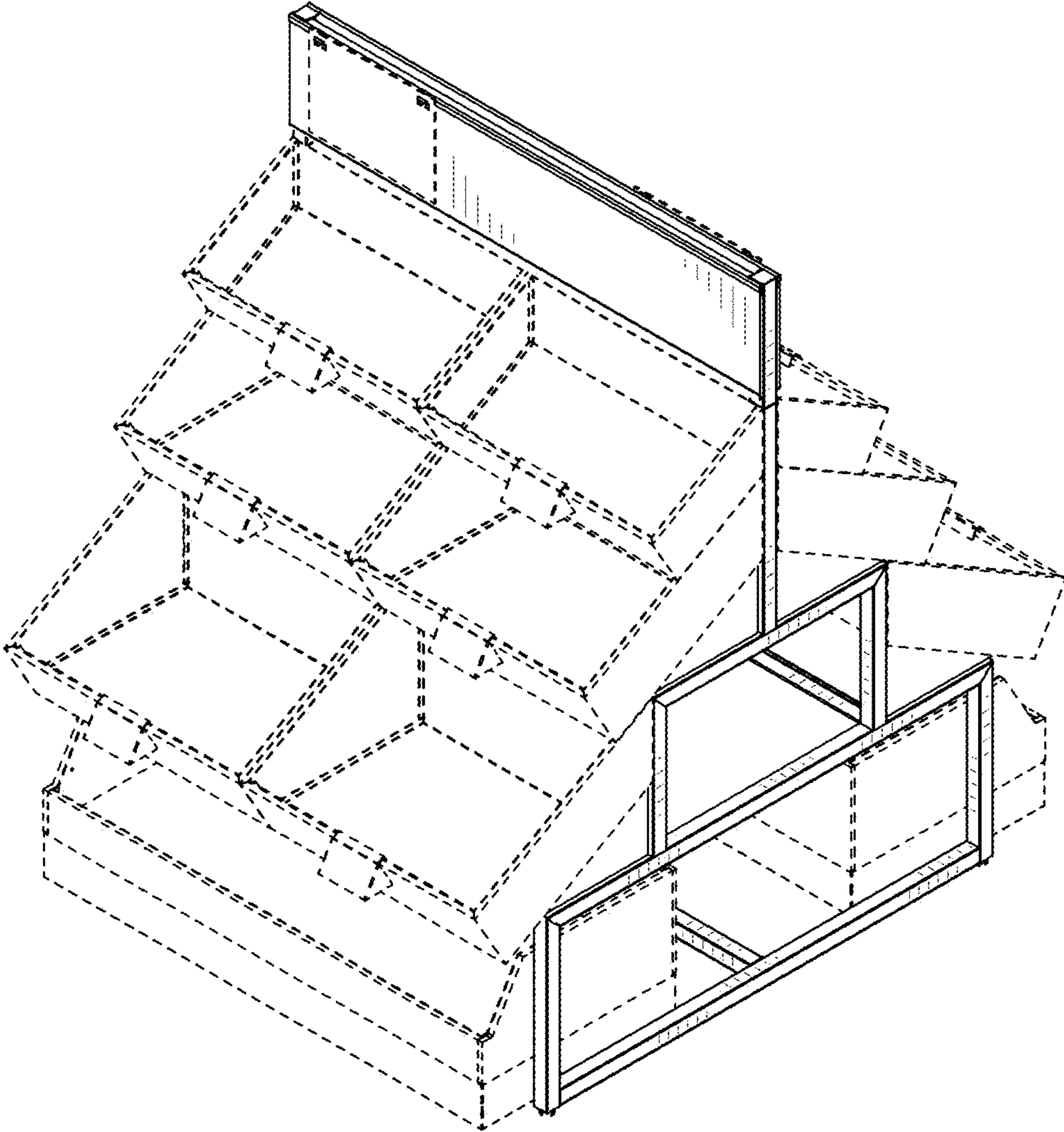


Fig. 1

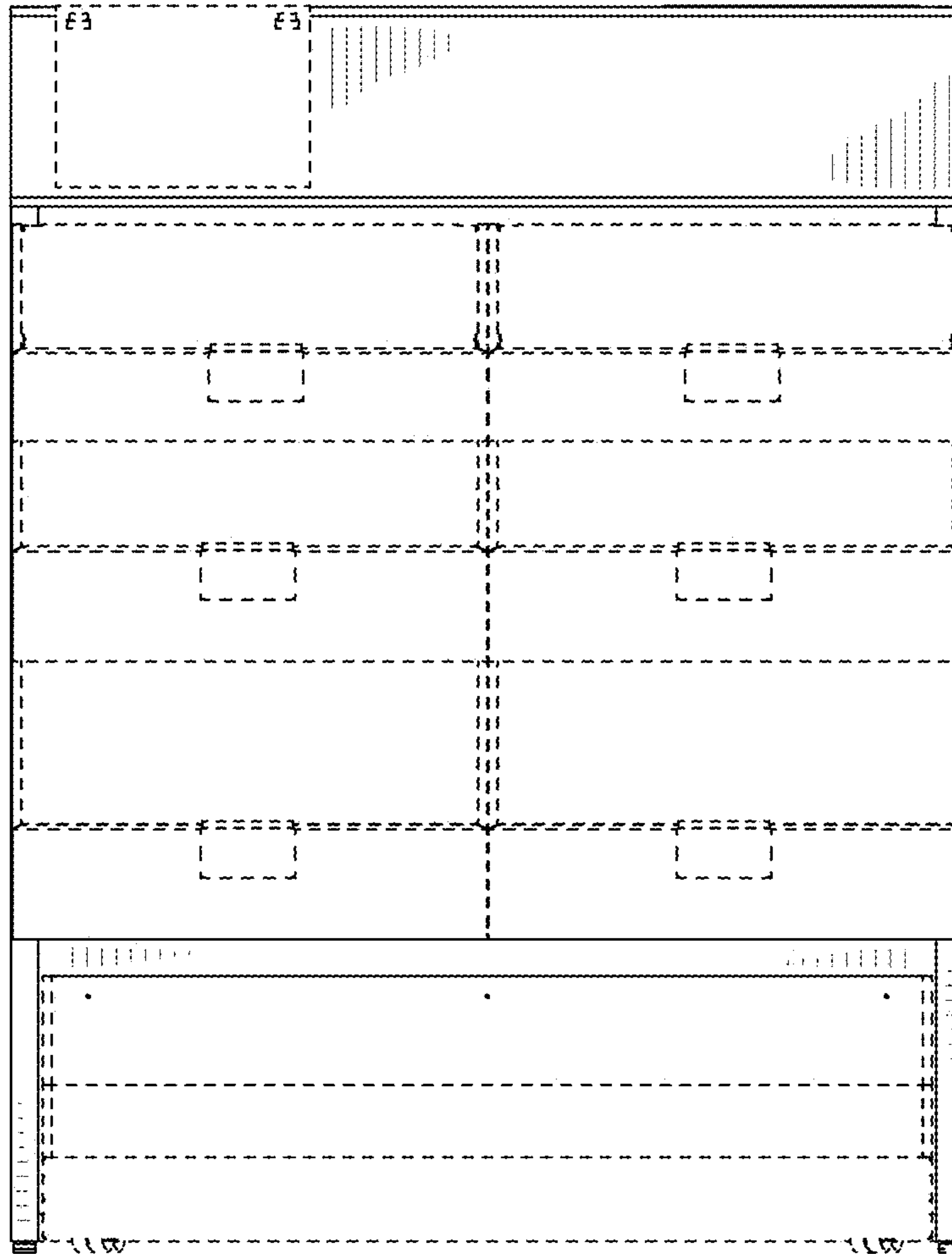


Fig. 2

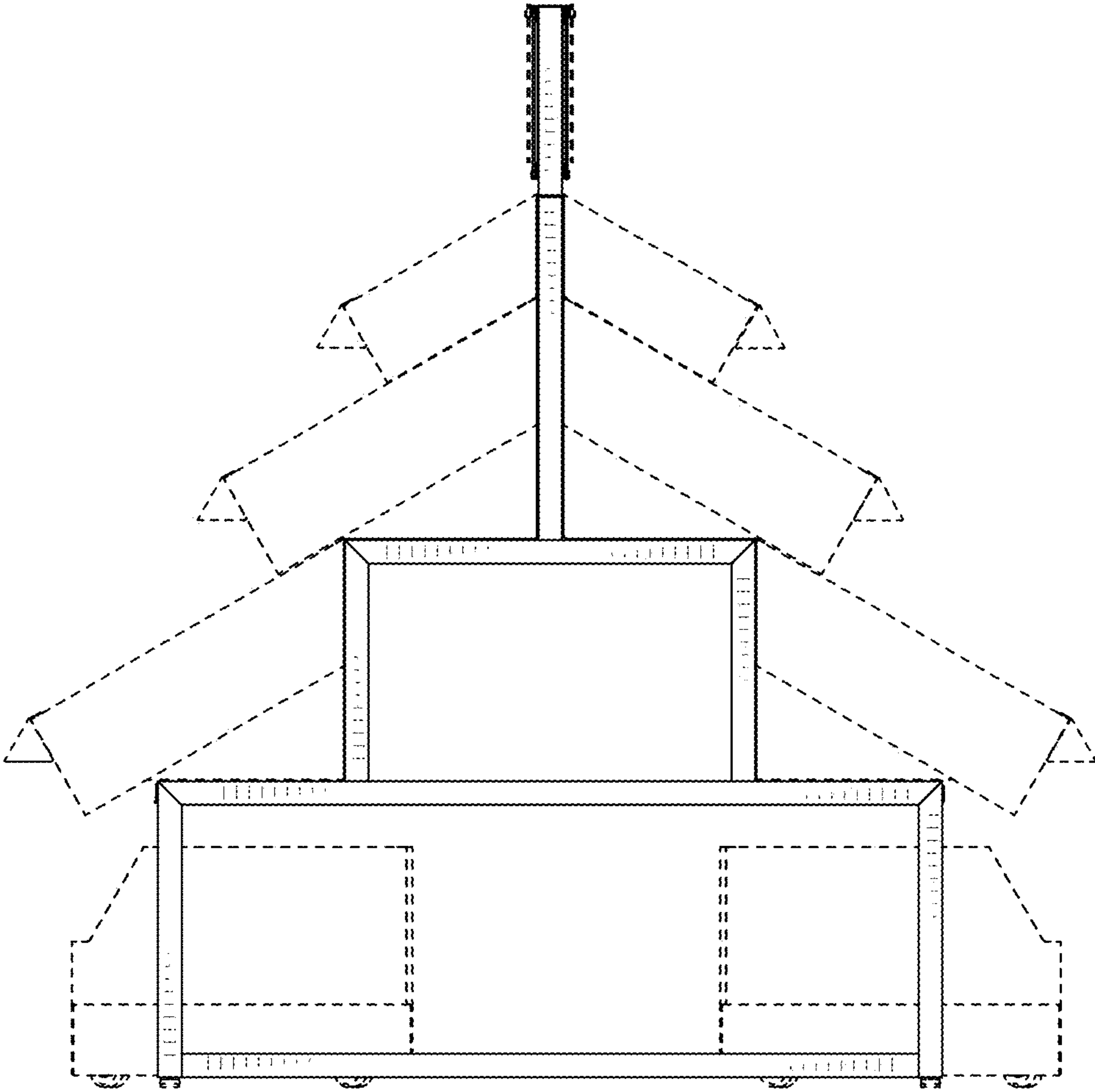


Fig. 3



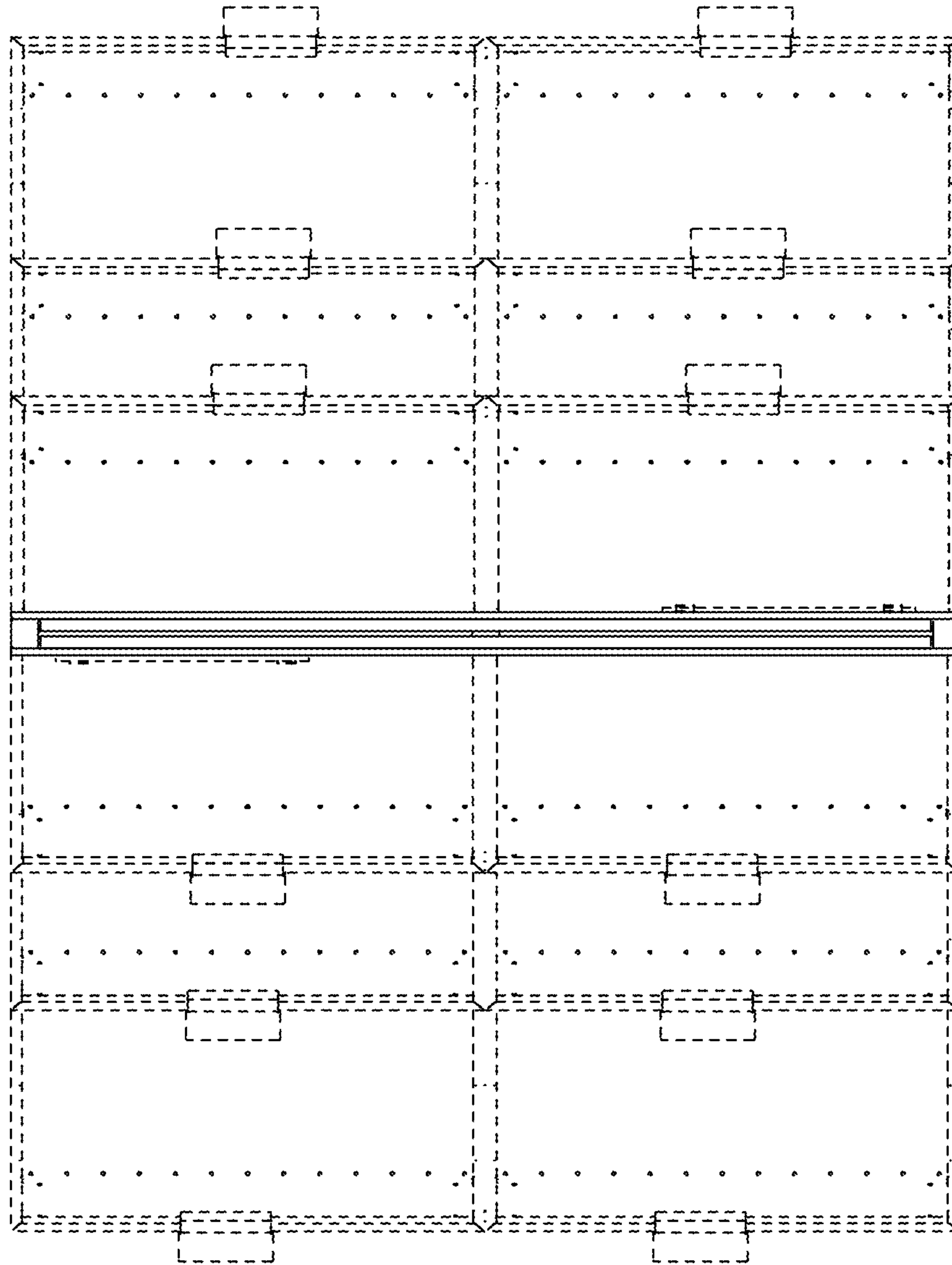


Fig. 4